



US00D828231S

(12) **United States Design Patent**
Yan

(10) **Patent No.:** **US D828,231 S**

(45) **Date of Patent:** **** Sep. 11, 2018**

(54) **ELECTRIC BICYCLE**

(71) Applicant: **ZHEJIANG RIGHT DIGITAL TECHNOLOGY CO., LTD.**, Zhejiang (CN)

(72) Inventor: **Ming Yan**, Zhejiang (CN)

(73) Assignee: **ZHEJIANG RIGHT DIGITAL TECHNOLOGY CO., LTD.**, Zhejiang (CN)

(**) Term: **15 Years**

(21) Appl. No.: **29/584,165**

(22) Filed: **Nov. 11, 2016**

(30) **Foreign Application Priority Data**

May 13, 2016 (CN) 2016 3 0178269

(51) **LOC (11) Cl.** **12-11**

(52) **U.S. Cl.**
USPC **D12/111**

(58) **Field of Classification Search**
USPC D12/110, 111, 112, 114, 117, 119
CPC B62K 11/00; B62K 11/02; B62K 11/04;
B62K 15/00; B62K 2202/00; B62K
25/286; B62K 25/283; B62K 3/00; B62K
3/02; B62K 5/00; B62K 5/003; B62K
5/007; B62K 5/01; B62M 6/40
See application file for complete search history.

(56) **References Cited**

U.S. PATENT DOCUMENTS

D383,100 S * 9/1997 Lee D12/111
6,164,676 A * 12/2000 Wilcox B62K 25/286
280/284

D491,111 S * 6/2004 Mizuta D12/111
D670,208 S * 11/2012 Frenzel D12/111
8,403,350 B2 * 3/2013 Talavasek B62K 3/02
280/124.134
D727,215 S * 4/2015 Yang D12/111
D741,221 S * 10/2015 Haller D12/111
9,616,966 B2 * 4/2017 Talavasek B62M 6/40
D797,003 S * 9/2017 Qiu D12/111
2008/0023935 A1 * 1/2008 McAndrews B62K 25/04
280/283
2008/0258427 A1 * 10/2008 Buckley B62K 25/286
280/284
2015/0034436 A1 * 2/2015 McAndrews F16F 9/0209
188/297
2015/0137477 A1 * 5/2015 Chamberlain B62K 3/02
280/283

* cited by examiner

Primary Examiner — Karen S Acker

Assistant Examiner — Jerry Shiuan-Hua Hsu

(74) *Attorney, Agent, or Firm* — Volpe and Koenig, P.C.

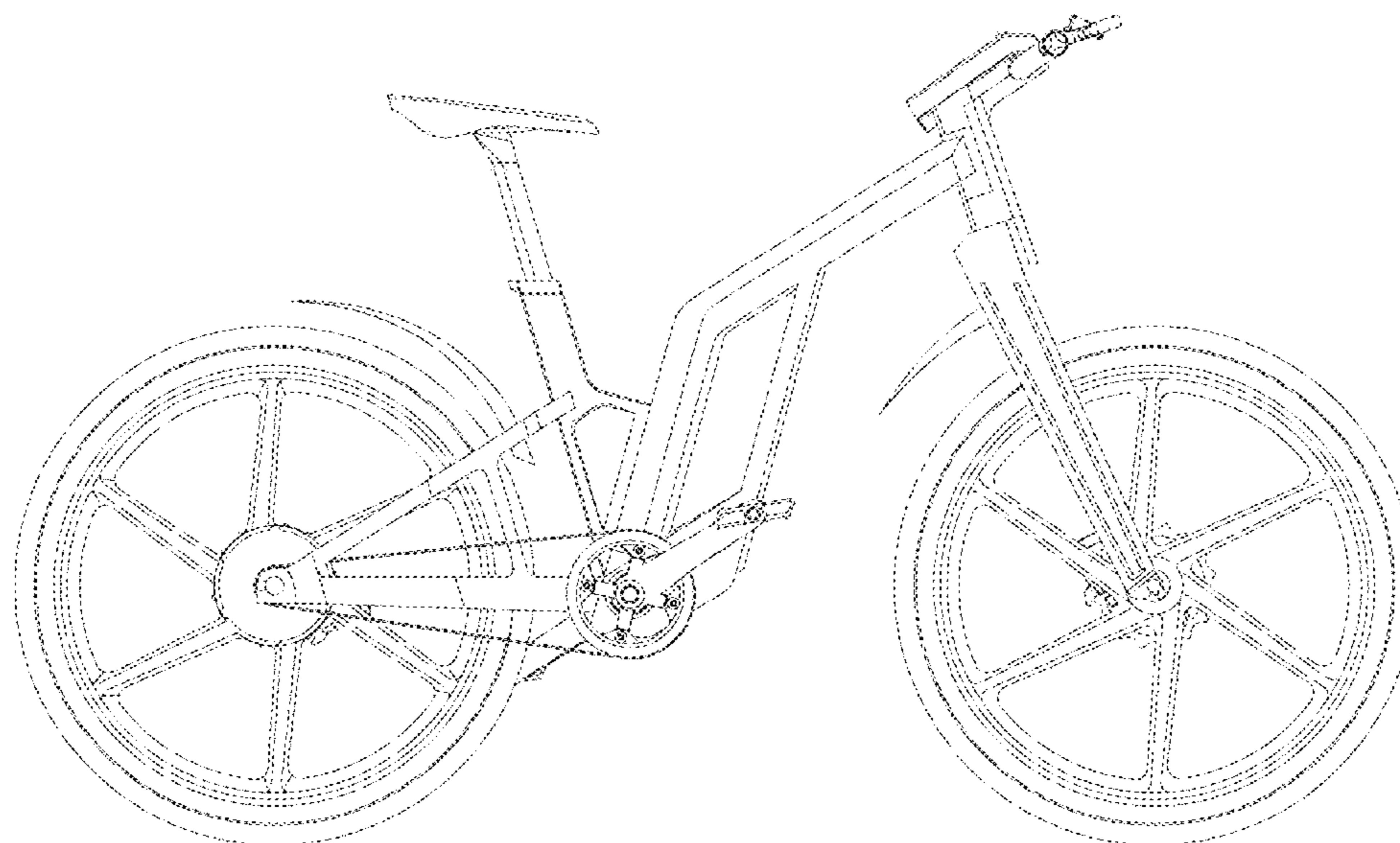
(57) **CLAIM**

The ornamental design for an electric bicycle, as shown and described.

DESCRIPTION

FIG. 1 is a front view of the claimed design;
FIG. 2 is a left side view of the claimed design;
FIG. 3 is a right side view of the claimed design;
FIG. 4 is a rear view of the claimed design;
FIG. 5 is a top view the claimed design;
FIG. 6 is a bottom view of the claimed design; and,
FIG. 7 is a perspective view of the claimed design.

1 Claim, 5 Drawing Sheets



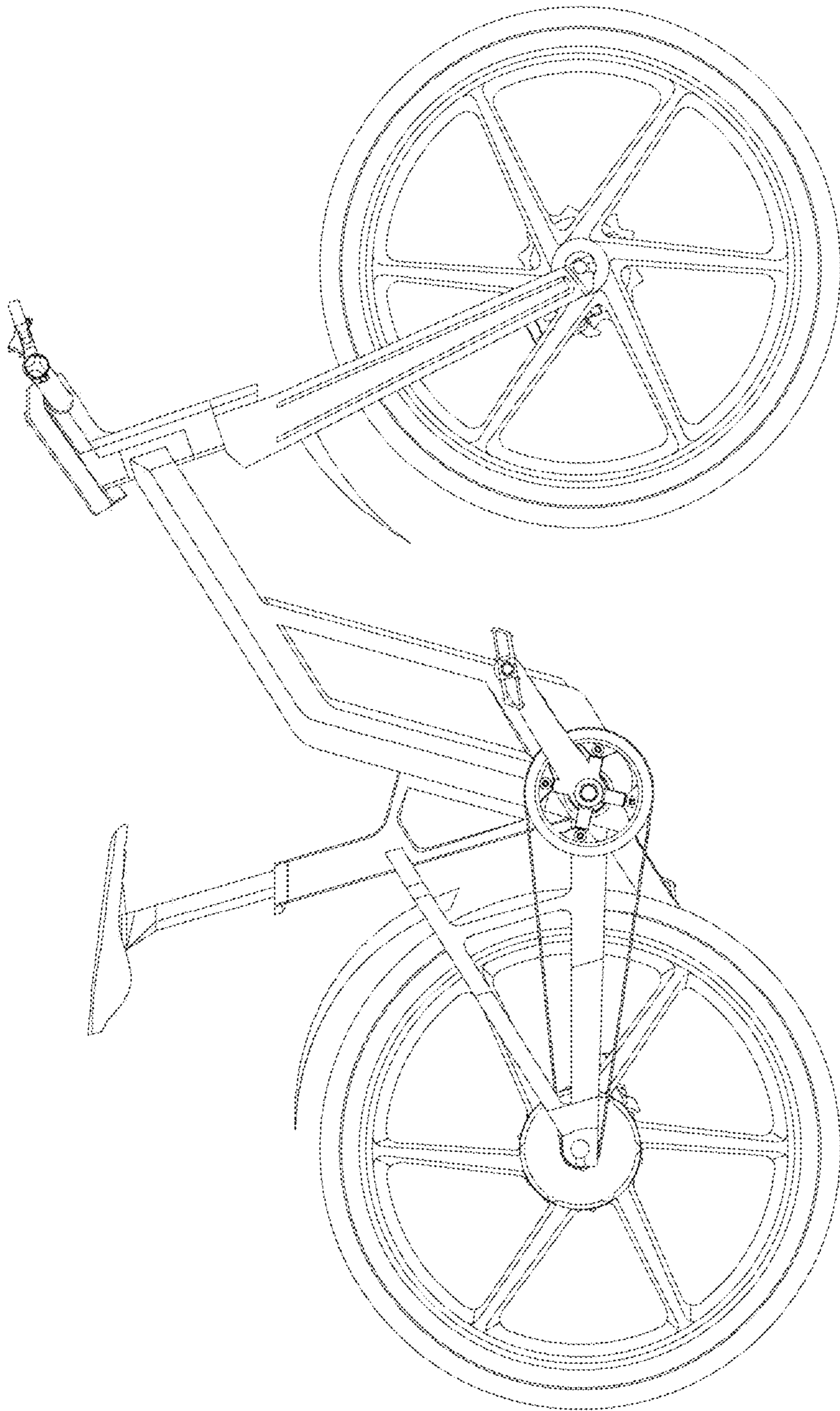


FIG. 1

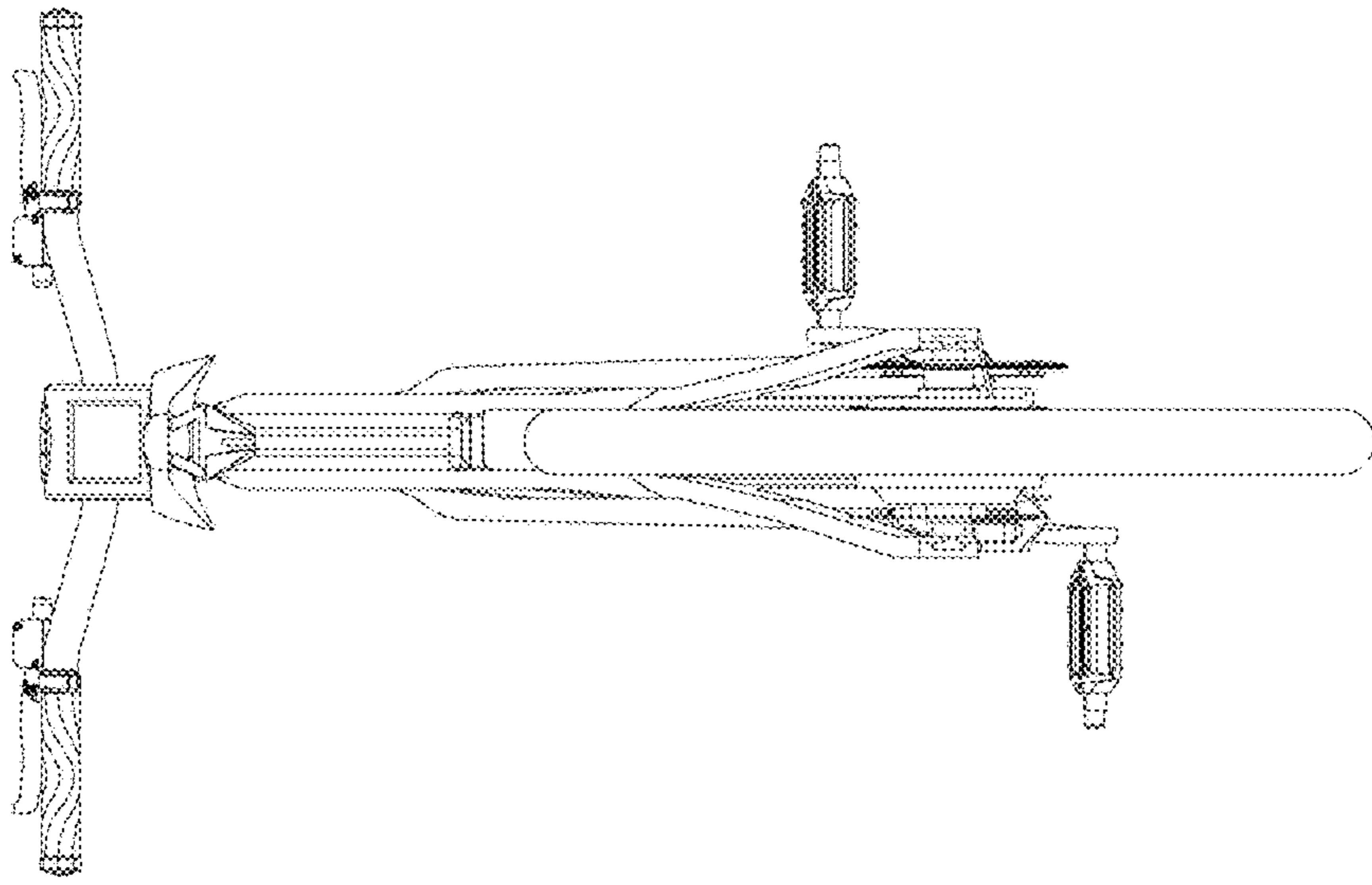


FIG. 2

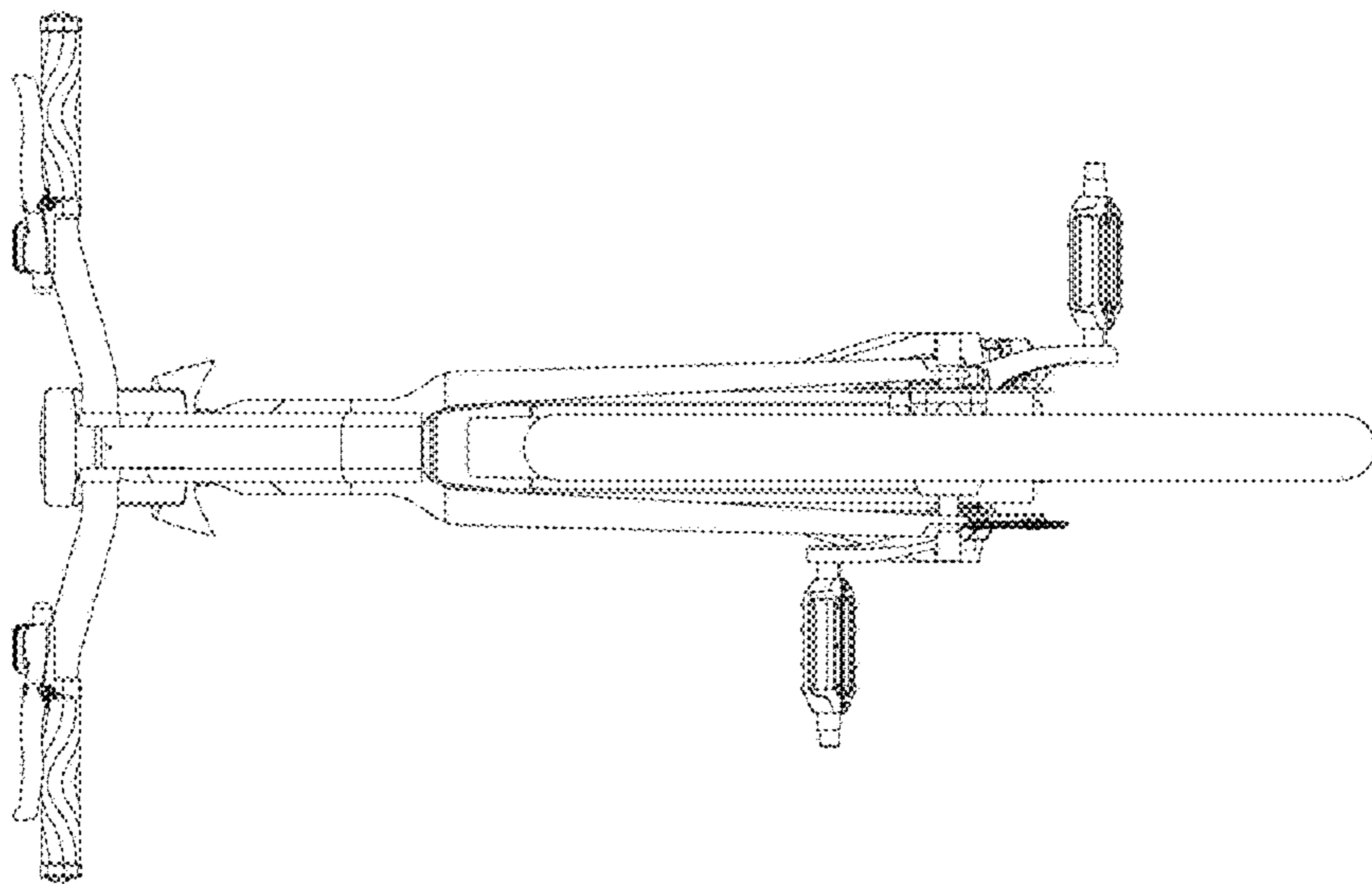


FIG. 3

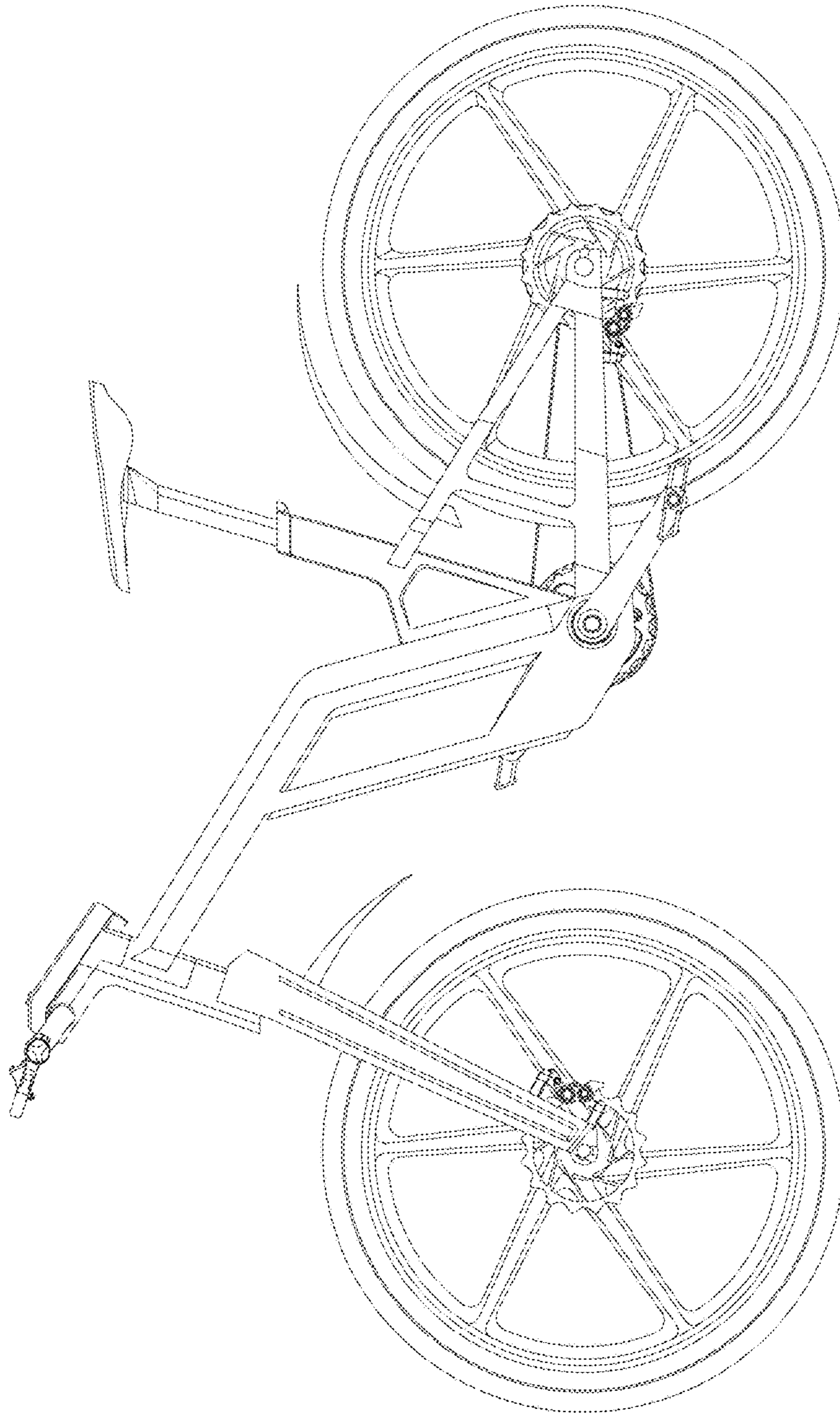


FIG. 4

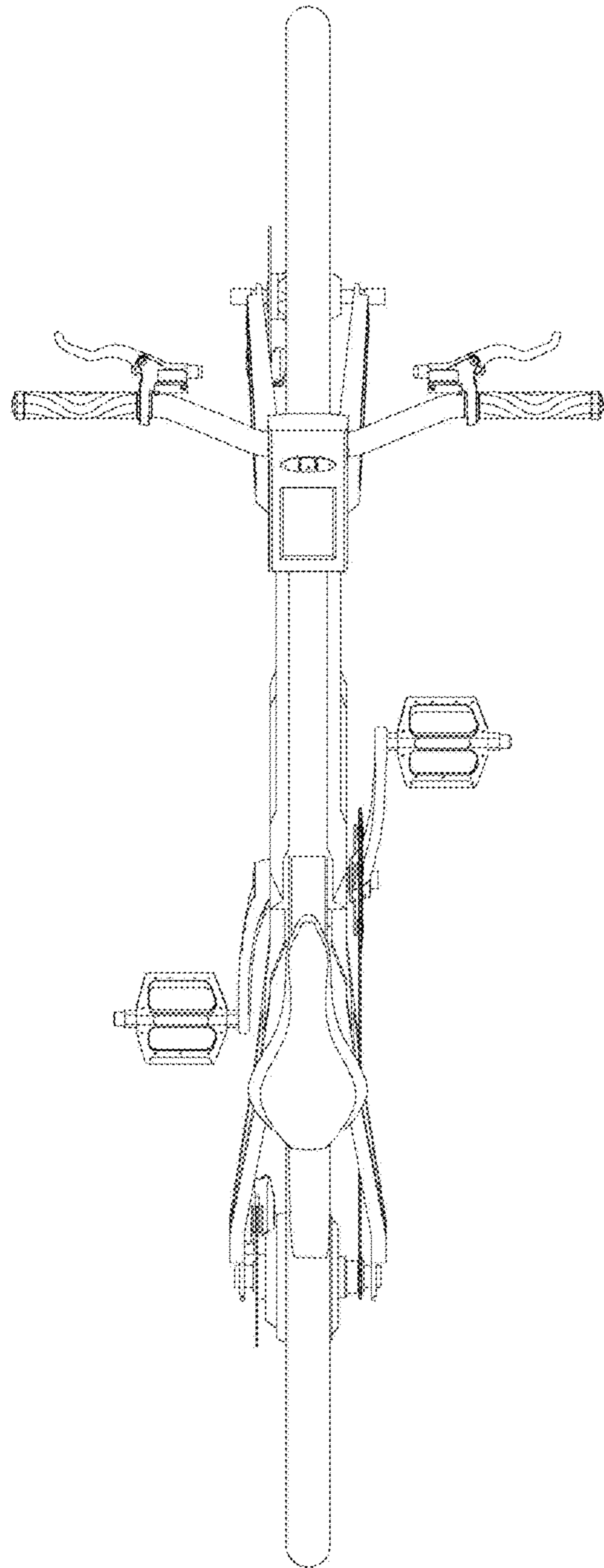


FIG. 5

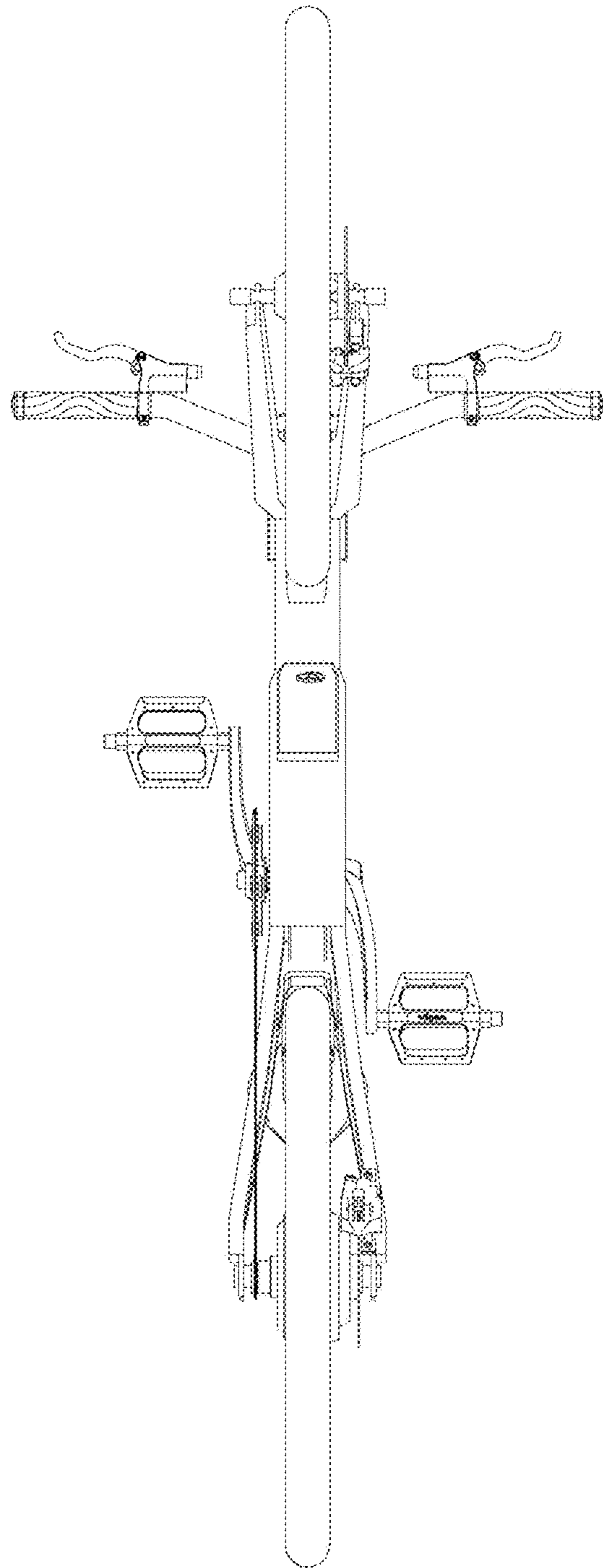


FIG. 6

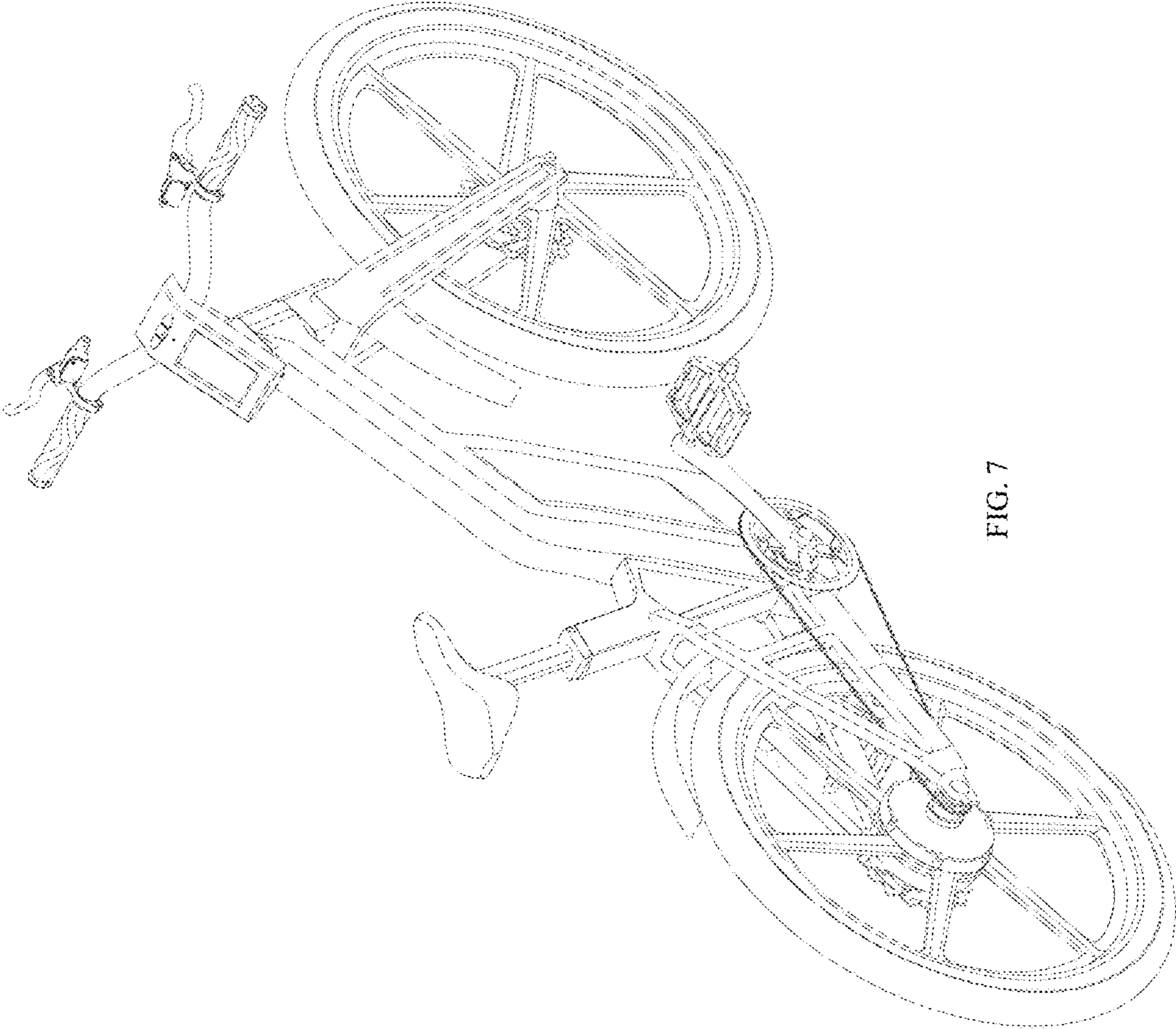


FIG. 7