



US00D828230S

(12) **United States Design Patent** (10) **Patent No.:** **US D828,230 S**  
**Cammorata** (45) **Date of Patent:** **\*\* Sep. 11, 2018**

(54) **MOTORCYCLE, TOY, AND/OR REPLICAS THEREOF**  
(71) Applicant: **Bayerische Motoren Werke Aktiengesellschaft, Munich (DE)**  
(72) Inventor: **Donald Todd Cammorata, Mill Valley, CA (US)**  
(73) Assignee: **Bayerische Motoren Werke Aktiengesellschaft, Munich (DE)**

D605,089 S \* 12/2009 Tanaka ..... D12/110  
D636,708 S \* 4/2011 Katagiri ..... D12/110  
D638,756 S \* 5/2011 Kouchi ..... D12/110  
D651,138 S \* 12/2011 Lai ..... D12/110  
D652,769 S \* 1/2012 Kudo ..... D12/110  
D669,821 S \* 10/2012 Nishihara ..... D12/110  
D688,983 S \* 9/2013 Shibuta ..... D12/110  
D689,406 S \* 9/2013 Yasuhara ..... D12/110  
D695,153 S \* 12/2013 Buckan ..... D12/110  
D695,154 S \* 12/2013 Buckan ..... D12/110  
8,827,024 B1 \* 9/2014 Sumi ..... B62K 25/02  
180/227

(Continued)

(\*\*) Term: **15 Years**

**FOREIGN PATENT DOCUMENTS**

(21) Appl. No.: **29/614,874**

EM 000816483-0001 1/2008  
EM 000854476-0001 3/2008

(22) Filed: **Aug. 24, 2017**

(Continued)

(30) **Foreign Application Priority Data**

*Primary Examiner* — Darlington Ly

Mar. 1, 2017 (DE) ..... 40 2017 100 221

(74) *Attorney, Agent, or Firm* — Crowell & Moring LLP

(51) **LOC (11) Cl.** ..... **12-11**

(57) **CLAIM**

(52) **U.S. Cl.**

The ornamental design for a motorcycle, toy, and/or replicas thereof, as shown and described.

USPC ..... **D12/110**

(58) **Field of Classification Search**

**DESCRIPTION**

USPC ..... D12/110, 111, 117; D21/432, 538

This application contains subject matter related to the following co-pending U.S. design patent application:

CPC ..... B62K 11/00; B62K 11/02; B62K 11/04;

Application Ser. No. 29/579,986, filed Oct. 5, 2016 and entitled "Motorcycle, Toy, and/or Replicas Thereof."

B62K 11/10; B62K 17/00; B62K 19/00;

FIG. 1 is a top, front, and left side perspective view of a motorcycle, toy, and/or replicas thereof showing my new design;

B62K 2202/00

See application file for complete search history.

FIG. 2 is a left side elevation view thereof;

(56) **References Cited**

**U.S. PATENT DOCUMENTS**

D519,884 S \* 5/2006 Heinrich ..... D12/110  
D566,010 S \* 4/2008 Hohdorf ..... D12/110  
D582,316 S \* 12/2008 Stenegard ..... D12/110  
D587,172 S 2/2009 Buckan et al.  
D588,960 S 3/2009 Buckan et al.  
D591,205 S \* 4/2009 Heinrich ..... D12/110  
D597,449 S \* 8/2009 Nagao ..... D12/110  
D601,458 S \* 10/2009 Nagao ..... D12/110

FIG. 3 is a right side elevation view thereof;

FIG. 4 is a front elevation view thereof;

FIG. 5 is a rear elevation view thereof;

FIG. 6 is a top plan view thereof; and,

FIG. 7 is a bottom plan view thereof.

**1 Claim, 7 Drawing Sheets**



(56)

**References Cited**

U.S. PATENT DOCUMENTS

D723,429 S \* 3/2015 Hohdorf ..... D12/110  
D735,085 S \* 7/2015 Buckan ..... D12/110  
D736,677 S \* 8/2015 Imura ..... D12/110  
D800,023 S 10/2017 Kottmann  
D805,439 S \* 12/2017 Hohdorf ..... D12/110  
2012/0318598 A1\* 12/2012 Fujiyama ..... B60K 5/12  
180/219  
2015/0101875 A1\* 4/2015 Inayama ..... B60K 13/02  
180/225

FOREIGN PATENT DOCUMENTS

EM 002084772-0001 2/2015  
EM 003077239-0001 4/2016  
EM 003376094-0001 9/2016

\* cited by examiner

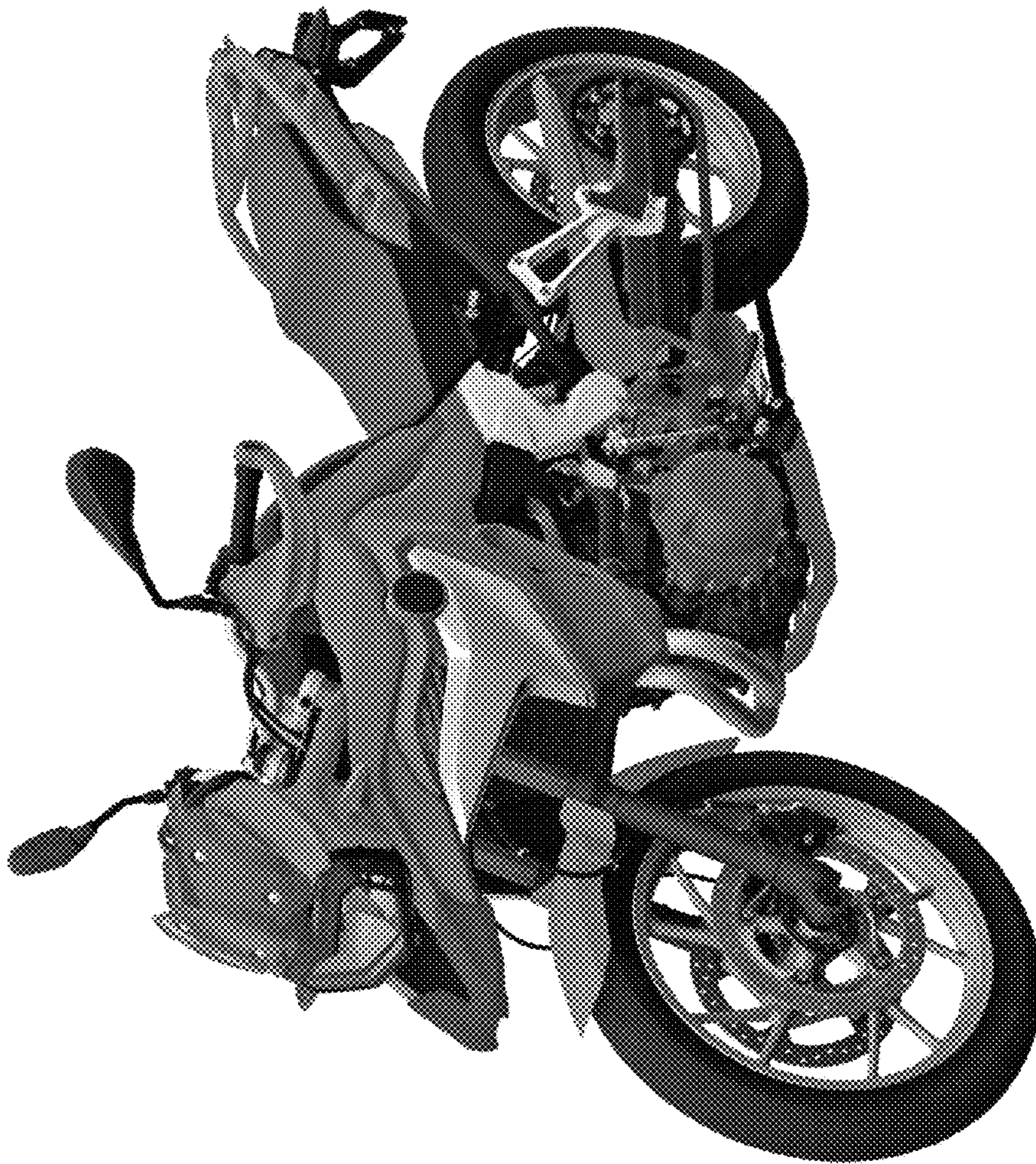


Fig. 1

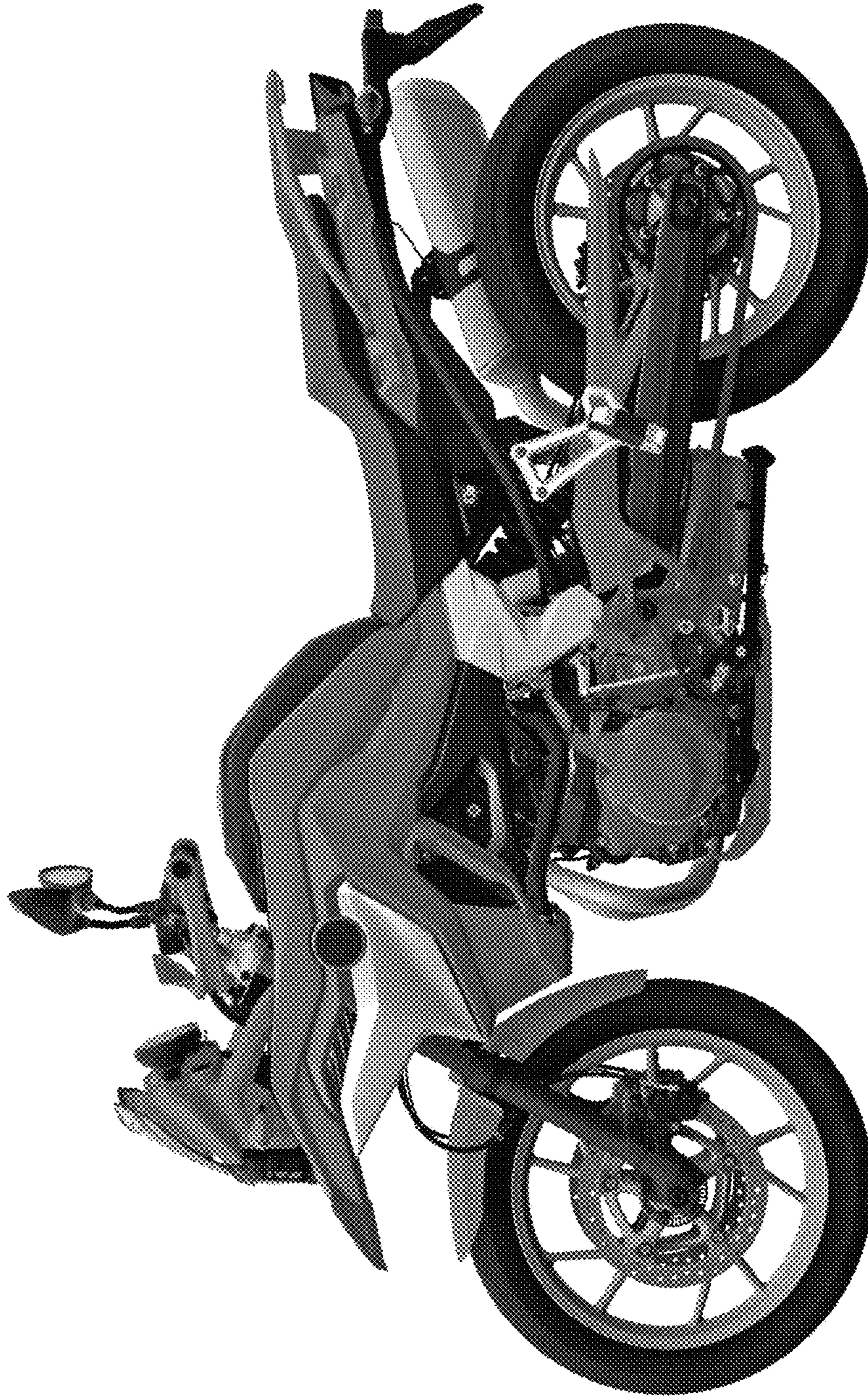


Fig. 2



Fig. 3

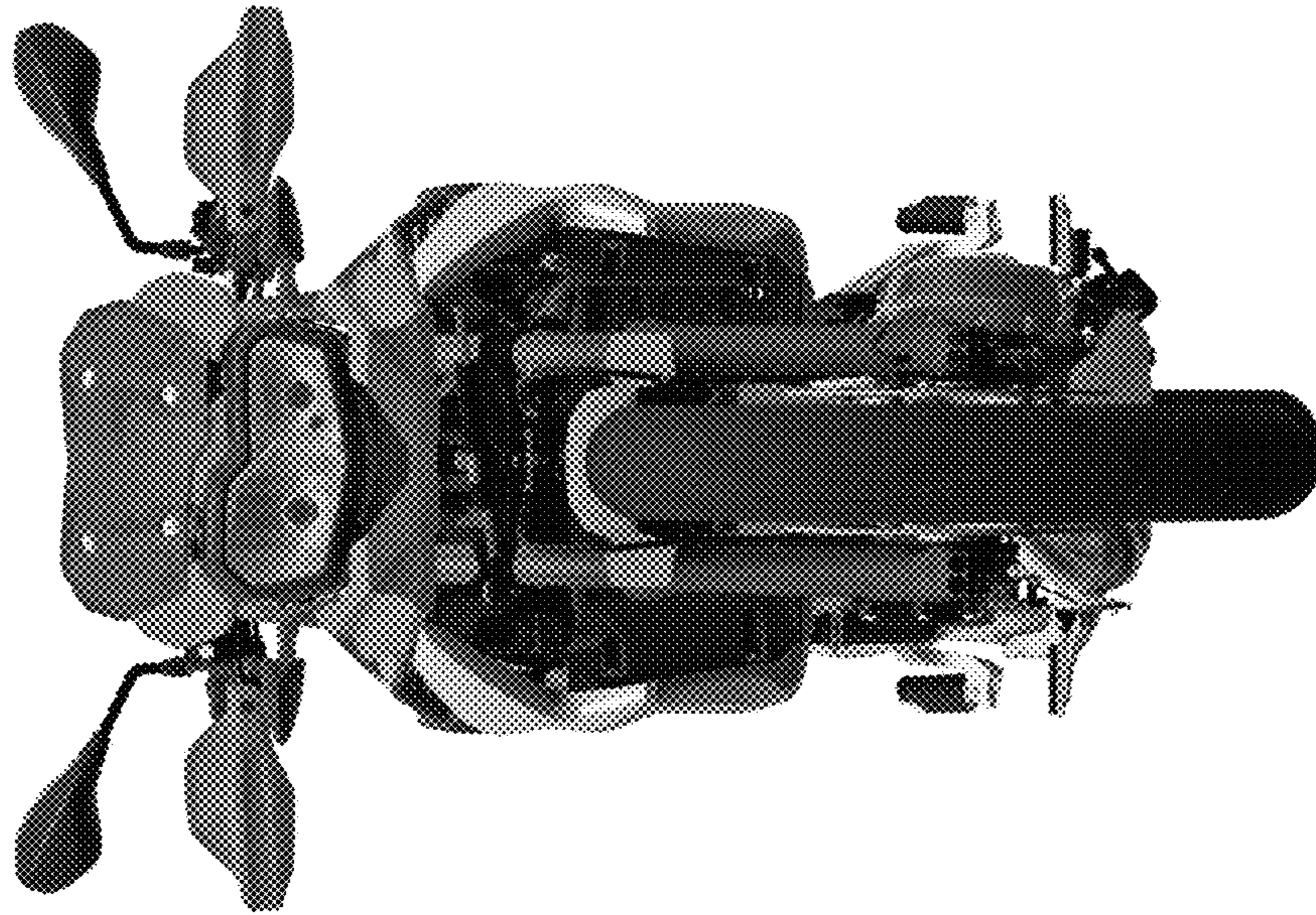


Fig. 4

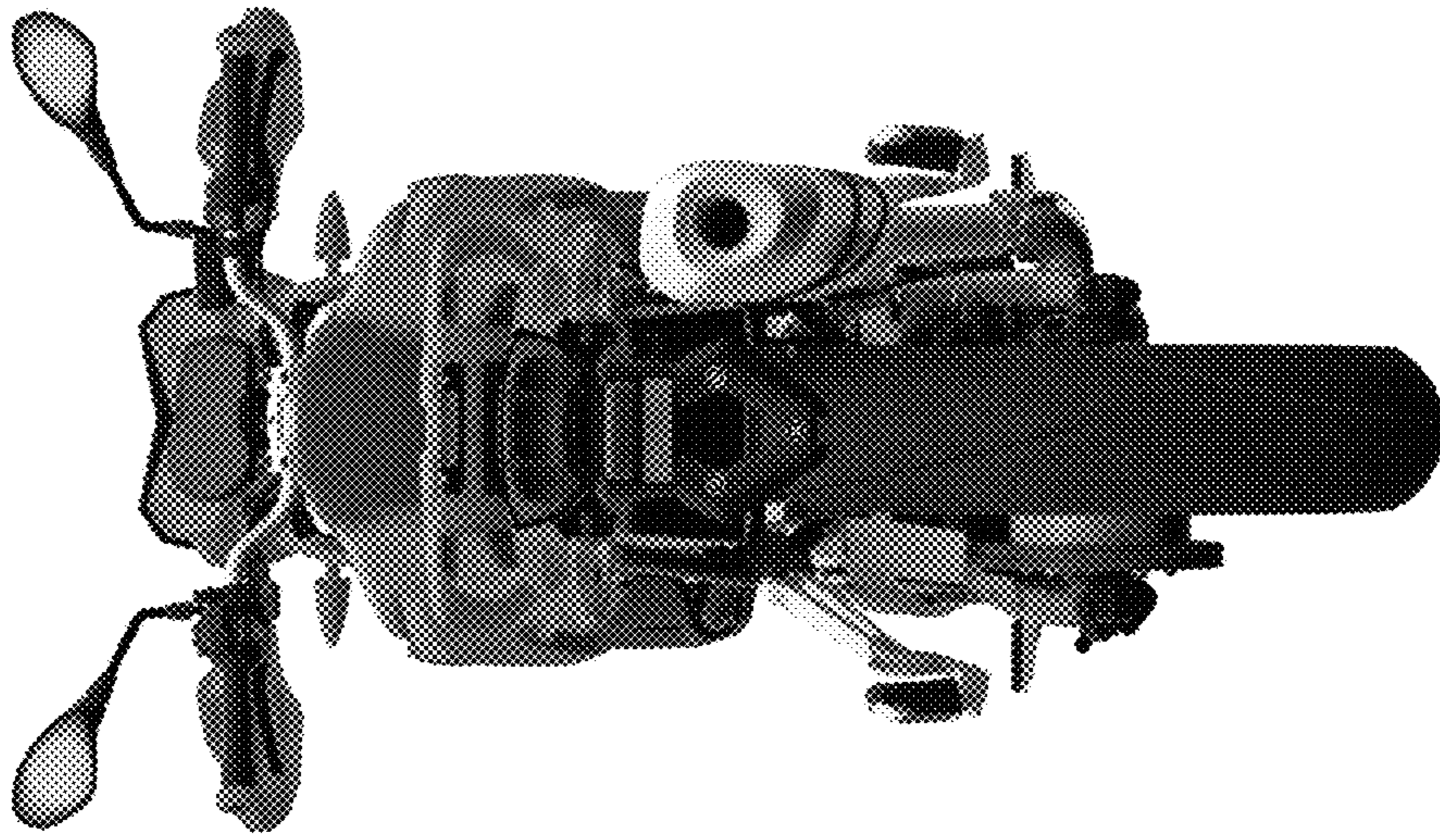


Fig. 5

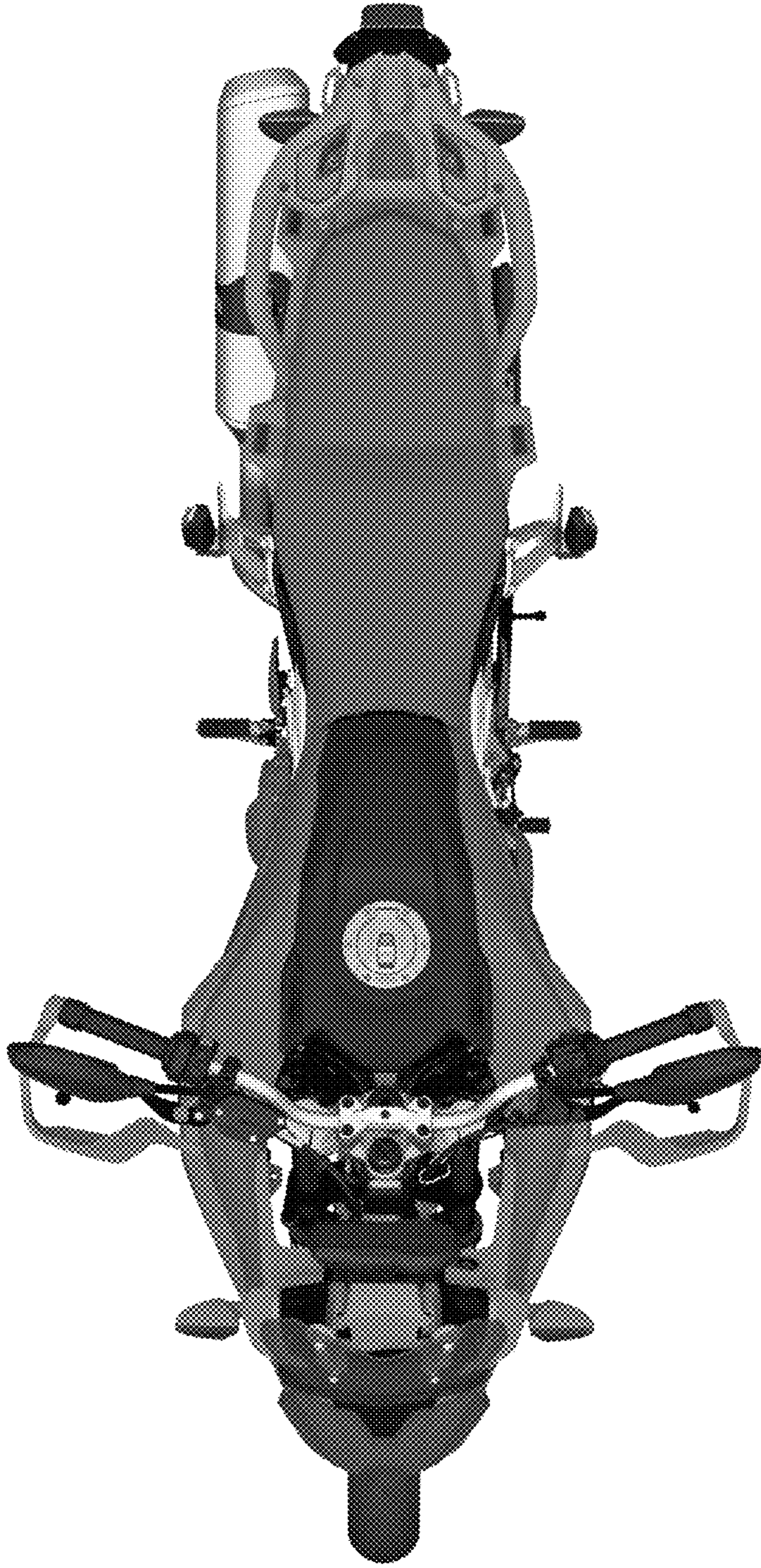


Fig. 6



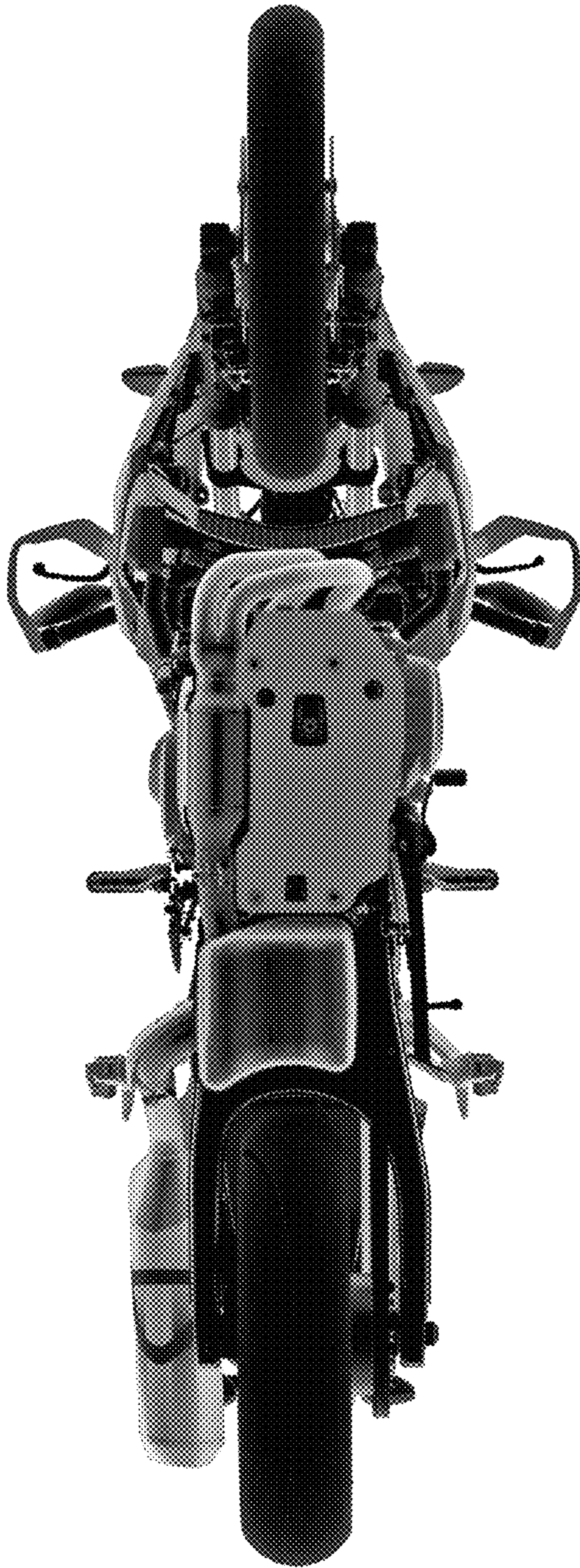


Fig. 7