



US00D828229S

(12) **United States Design Patent** (10) **Patent No.:** **US D828,229 S**  
**Zhukov** (45) **Date of Patent:** **\*\* Sep. 11, 2018**

(54) **MOTOR SCOOTER, TOY, AND/OR REPLICAS THEREOF**  
(71) Applicant: **Bayerische Motoren Werke Aktiengesellschaft, Munich (DE)**  
(72) Inventor: **Evgeny Zhukov, Munich (DE)**  
(73) Assignee: **Bayerische Motoren Werke Aktiengesellschaft, Munich (DE)**

D605,562 S \* 12/2009 Kitayama ..... D12/110  
D605,564 S \* 12/2009 Hong ..... D12/110  
D610,045 S \* 2/2010 Lambri ..... D12/110  
D617,237 S \* 6/2010 Li ..... D12/110  
D623,093 S \* 9/2010 Tsuji ..... D12/110  
D627,689 S \* 11/2010 Ishiguri ..... D12/110  
D635,489 S \* 4/2011 Tsukui ..... D12/110  
D649,913 S \* 12/2011 Tsukui ..... D12/110  
D651,137 S \* 12/2011 Lai ..... D12/110  
D657,289 S \* 4/2012 Tanaka ..... D12/110  
D666,533 S \* 9/2012 Wilm

(Continued)

(\*\*) Term: **15 Years**

**FOREIGN PATENT DOCUMENTS**

(21) Appl. No.: **29/614,873**  
(22) Filed: **Aug. 24, 2017**

EM 001846361-0001 2/2012  
EM 001846361-0002 2/2012  
EM 002122648-0001 10/2012

(30) **Foreign Application Priority Data**

**OTHER PUBLICATIONS**

Mar. 1, 2017 (DE) ..... 40 2017 100 224

“New BMW scooter spied testing,” MCN Magazine, Sep. 7, 2016, p. 7.

(51) **LOC (11) Cl.** ..... **12-11**

(52) **U.S. Cl.**  
USPC ..... **D12/110**

*Primary Examiner* — Darlington Ly

(58) **Field of Classification Search**  
USPC ..... D12/110, 111, 117; D21/432, 538  
CPC ..... B62K 11/00; B62K 11/02; B62K 11/04;  
B62K 11/10; B62K 17/00; B62K 19/00;  
B62K 2202/00

(74) *Attorney, Agent, or Firm* — Crowell & Moring LLP

See application file for complete search history.

(57) **CLAIM**

The ornamental design for a motor scooter, toy, and/or replicas thereof, as shown and described.

(56) **References Cited**

**DESCRIPTION**

**U.S. PATENT DOCUMENTS**

D443,849 S \* 6/2001 Chen ..... D12/110  
D488,102 S \* 4/2004 Shimokawa ..... D12/110  
D521,415 S \* 5/2006 Kojima ..... D12/110  
D538,204 S \* 3/2007 Tako ..... D12/110  
D555,544 S \* 11/2007 Tanaka ..... D12/110  
D556,093 S \* 11/2007 Tanaka ..... D12/110  
D556,640 S \* 12/2007 Wu ..... D12/110  
D576,921 S \* 9/2008 Tong ..... D12/110  
D596,535 S \* 7/2009 Katagiri ..... D12/110  
D597,893 S \* 8/2009 Hung ..... D12/110

FIG. 1 is a top, front, and left side perspective view of a motor scooter, toy, and/or replicas thereof showing my new design;

FIG. 2 is a left side elevation view thereof;  
FIG. 3 is a right side elevation view thereof;  
FIG. 4 is a front elevation view thereof;  
FIG. 5 is a rear elevation view thereof;  
FIG. 6 is a top plan view thereof; and,  
FIG. 7 is a bottom plan view thereof.

**1 Claim, 7 Drawing Sheets**



(56)

**References Cited**

U.S. PATENT DOCUMENTS

D666,534	S	9/2012	Wilm	
D670,206	S *	11/2012	Nitta .....	D12/110
D680,912	S *	4/2013	Lambri .....	D12/110
D690,624	S *	10/2013	Okubo .....	D12/110
D729,125	S *	5/2015	Matsuzawa .....	D12/110
D732,437	S *	6/2015	Yang .....	D12/110
D739,792	S *	9/2015	Ishiguri .....	D12/110
RE45,835	E *	1/2016	Kohinata .....	D12/110
D774,960	S *	12/2016	Nishimoto .....	D12/110
D789,835	S *	6/2017	Kottmann .....	D12/110
D793,286	S *	8/2017	Chuang .....	D12/110
2011/0074183	A1 *	3/2011	Kanezuka .....	B62J 17/00 296/193.08

\* cited by examiner





Fig. 1



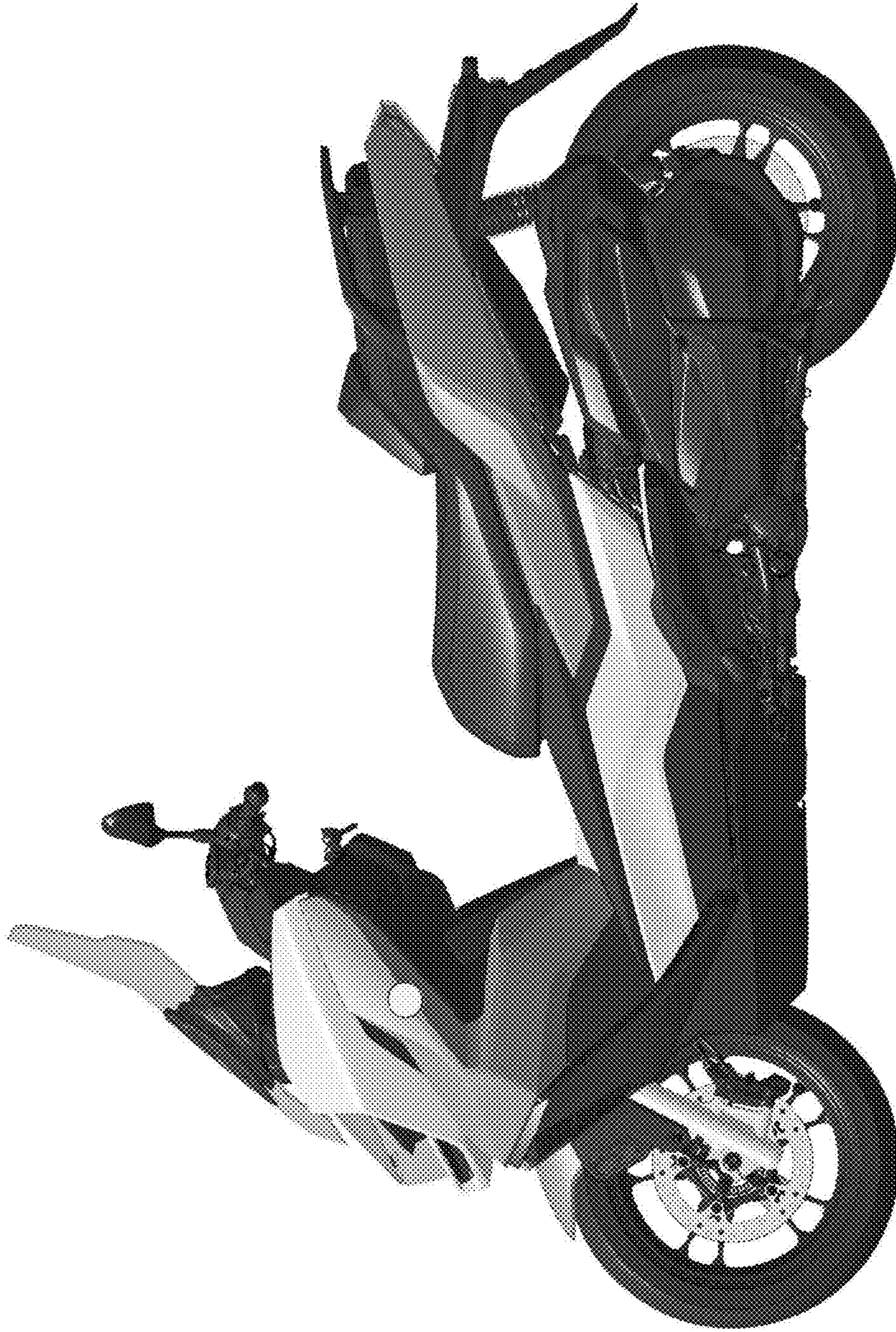


Fig. 2





Fig. 3



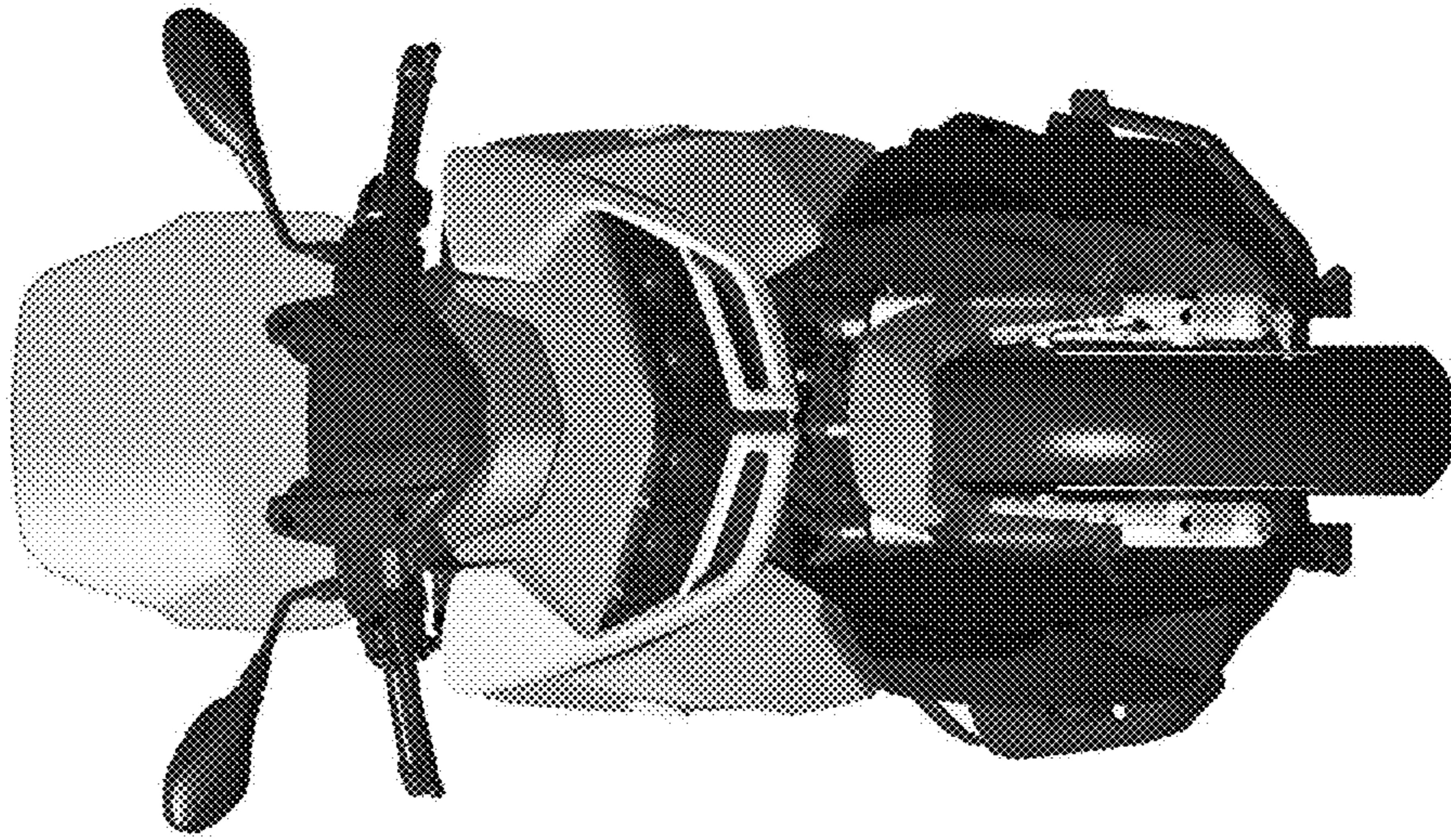


Fig. 4

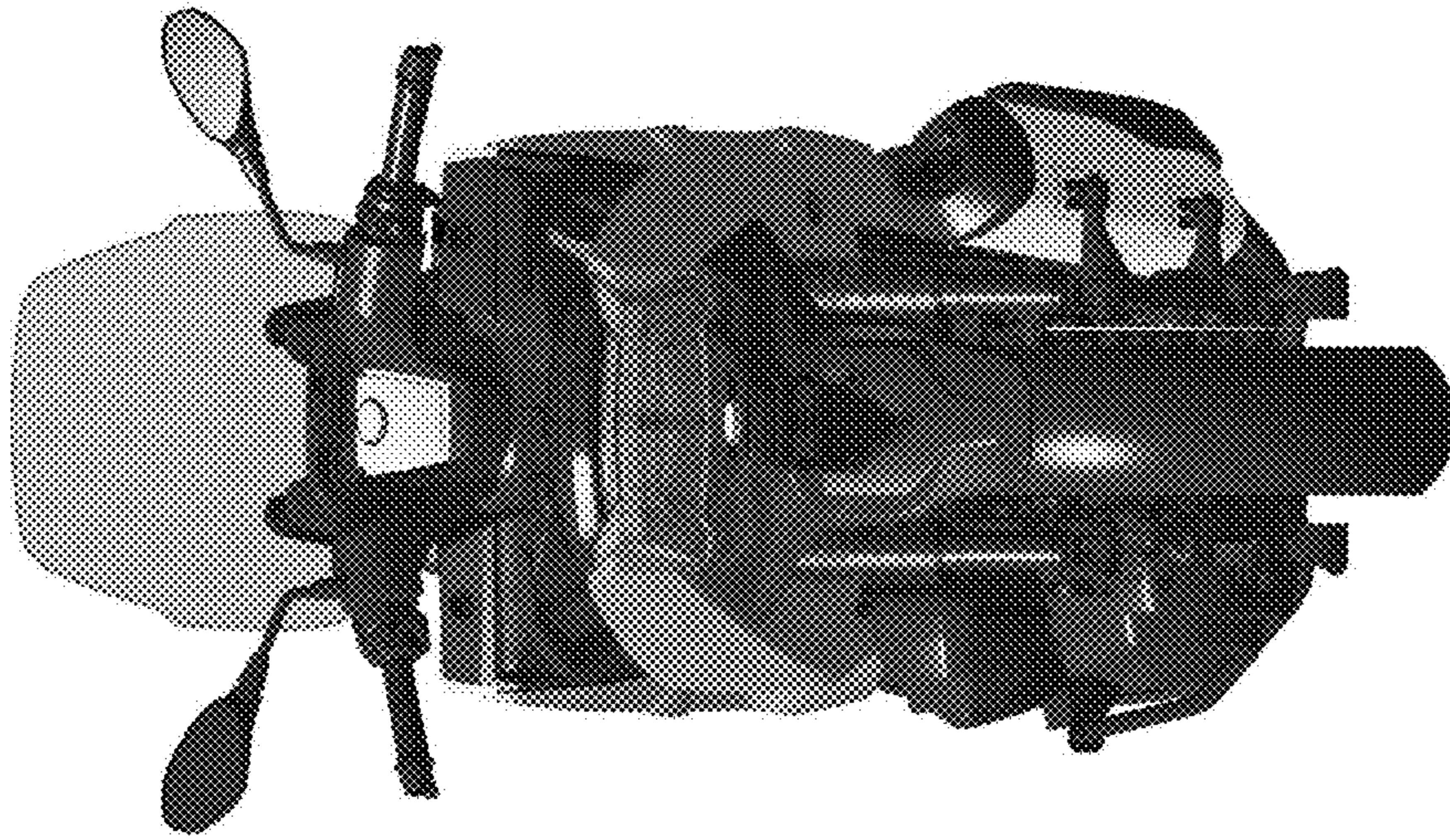


Fig. 5





Fig. 6



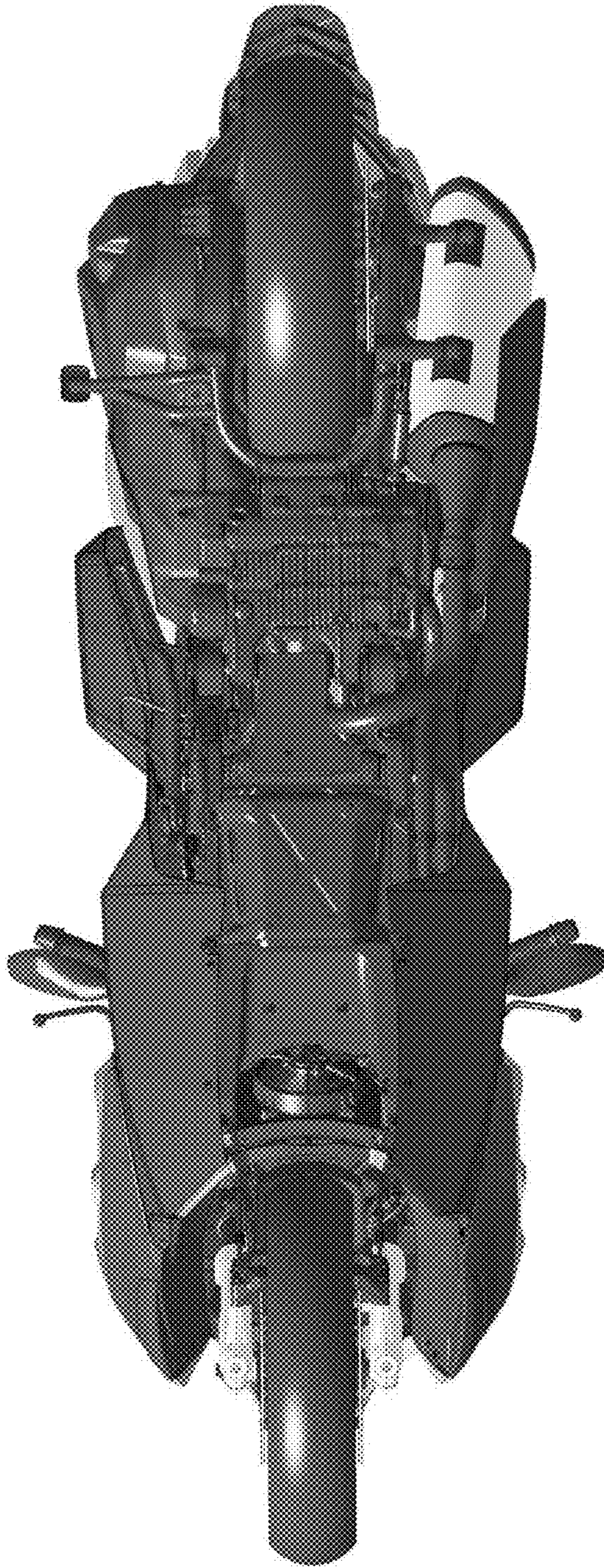


Fig. 7