



US00D828228S

(12) **United States Design Patent** (10) **Patent No.:** **US D828,228 S**
Zhukov (45) **Date of Patent:** **** Sep. 11, 2018**

(54) **MOTOR SCOOTER, TOY, AND/OR REPLICAS THEREOF**
(71) Applicant: **Bayerische Motoren Werke Aktiengesellschaft, Munich (DE)**
(72) Inventor: **Evgeny Zhukov, Munich (DE)**
(73) Assignee: **Bayerische Motoren Werke Aktiengesellschaft, Munich (DE)**

(**) Term: **15 Years**
(21) Appl. No.: **29/614,872**
(22) Filed: **Aug. 24, 2017**

(30) **Foreign Application Priority Data**
Mar. 1, 2017 (DE) 40 2017 100 258
(51) **LOC (11) Cl.** **12-11**
(52) **U.S. Cl.**
USPC **D12/110**
(58) **Field of Classification Search**
USPC D12/110, 111, 117; D21/432, 538
CPC B62K 11/00; B62K 11/02; B62K 11/04;
B62K 11/10; B62K 17/00; B62K 19/00;
B62K 2202/00
See application file for complete search history.

(56) **References Cited**
U.S. PATENT DOCUMENTS
D443,849 S * 6/2001 Chen D12/110
D488,102 S * 4/2004 Shimokawa D12/110
D521,415 S * 5/2006 Kojima D12/110
D538,204 S * 3/2007 Tako D12/110
D555,544 S * 11/2007 Tanaka D12/110
D556,093 S * 11/2007 Tanaka D12/110
D556,640 S * 12/2007 Wu D12/110
D576,921 S * 9/2008 Tong D12/110
D596,535 S * 7/2009 Katagiri D12/110

D597,893 S * 8/2009 Hung D12/110
D605,562 S * 12/2009 Kitayama D12/110
D605,564 S * 12/2009 Hong D12/110
D610,045 S * 2/2010 Lambri D12/110
D617,237 S * 6/2010 Li D12/110
D623,093 S * 9/2010 Tsuji D12/110
D627,689 S * 11/2010 Ishiguri D12/110
D635,489 S * 4/2011 Tsukui D12/110
D649,913 S * 12/2011 Tsukui D12/110
D651,137 S * 12/2011 Lai D12/110
D657,289 S * 4/2012 Tanaka D12/110
D666,533 S 9/2012 Wilm
D666,534 S 9/2012 Wilm
D670,206 S * 11/2012 Nitta D12/110
D680,912 S * 4/2013 Lambri D12/110
D690,624 S * 10/2013 Okubo D12/110

(Continued)

FOREIGN PATENT DOCUMENTS

EM 001846361-0001 2/2012
EM 001846361-0002 2/2012
EM 002122648-0001 10/2012

Primary Examiner — Darlington Ly
(74) *Attorney, Agent, or Firm* — Crowell & Moring LLP

(57) **CLAIM**

The ornamental design for a motor scooter, toy, and/or replicas thereof, as shown and described.

DESCRIPTION

FIG. 1 is a top, front, and left side perspective view of a motor scooter, toy, and/or replicas thereof showing my new design;
FIG. 2 is a left side elevation view thereof;
FIG. 3 is a right side elevation view thereof;
FIG. 4 is a front elevation view thereof;
FIG. 5 is a rear elevation view thereof;
FIG. 6 is a top plan view thereof; and,
FIG. 7 is a bottom plan view thereof.

1 Claim, 7 Drawing Sheets



(56)

References Cited

U.S. PATENT DOCUMENTS

D729,125	S	*	5/2015	Matsuzawa	D12/110
D732,437	S	*	6/2015	Yang	D12/110
D739,792	S	*	9/2015	Ishiguri	D12/110
RE45,835	E	*	1/2016	Kohinata	D12/110
D774,960	S	*	12/2016	Nishimoto	D12/110
D789,835	S	*	6/2017	Kottmann	D12/110
D793,286	S	*	8/2017	Chuang	D12/110
2011/0074183	A1	*	3/2011	Kanezuka	B62J 17/00 296/193.08

* cited by examiner



Fig. 1

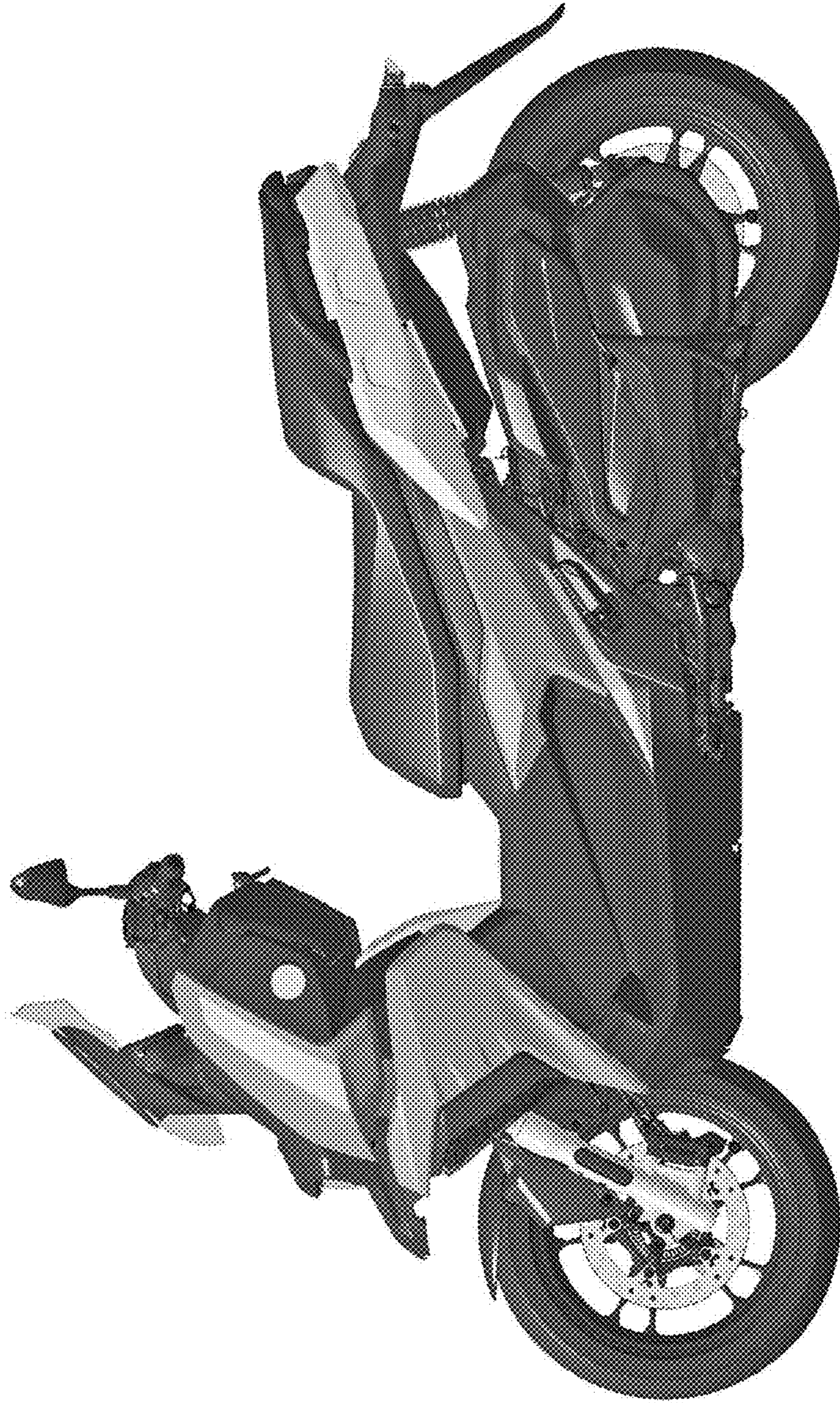


Fig. 2

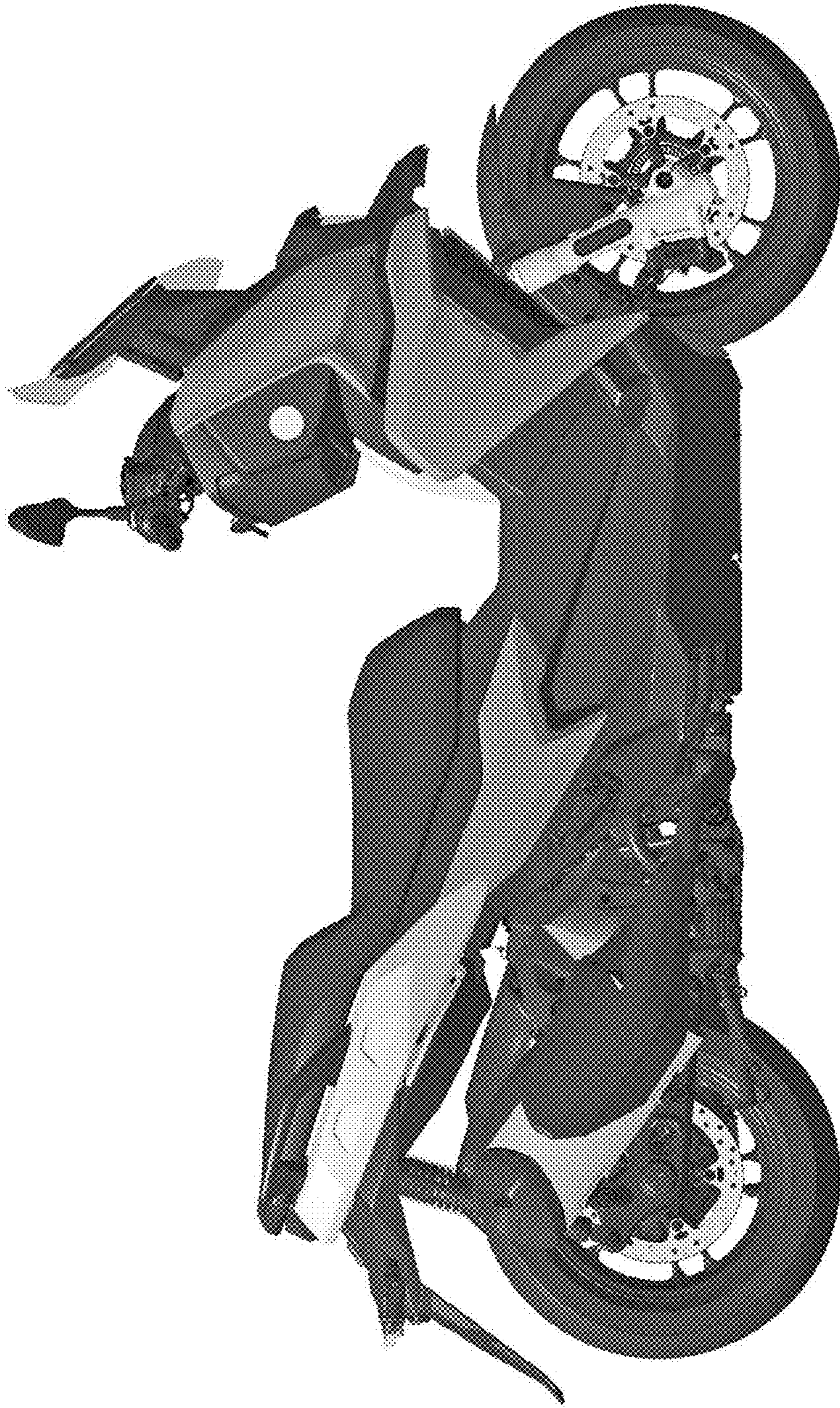


Fig. 3

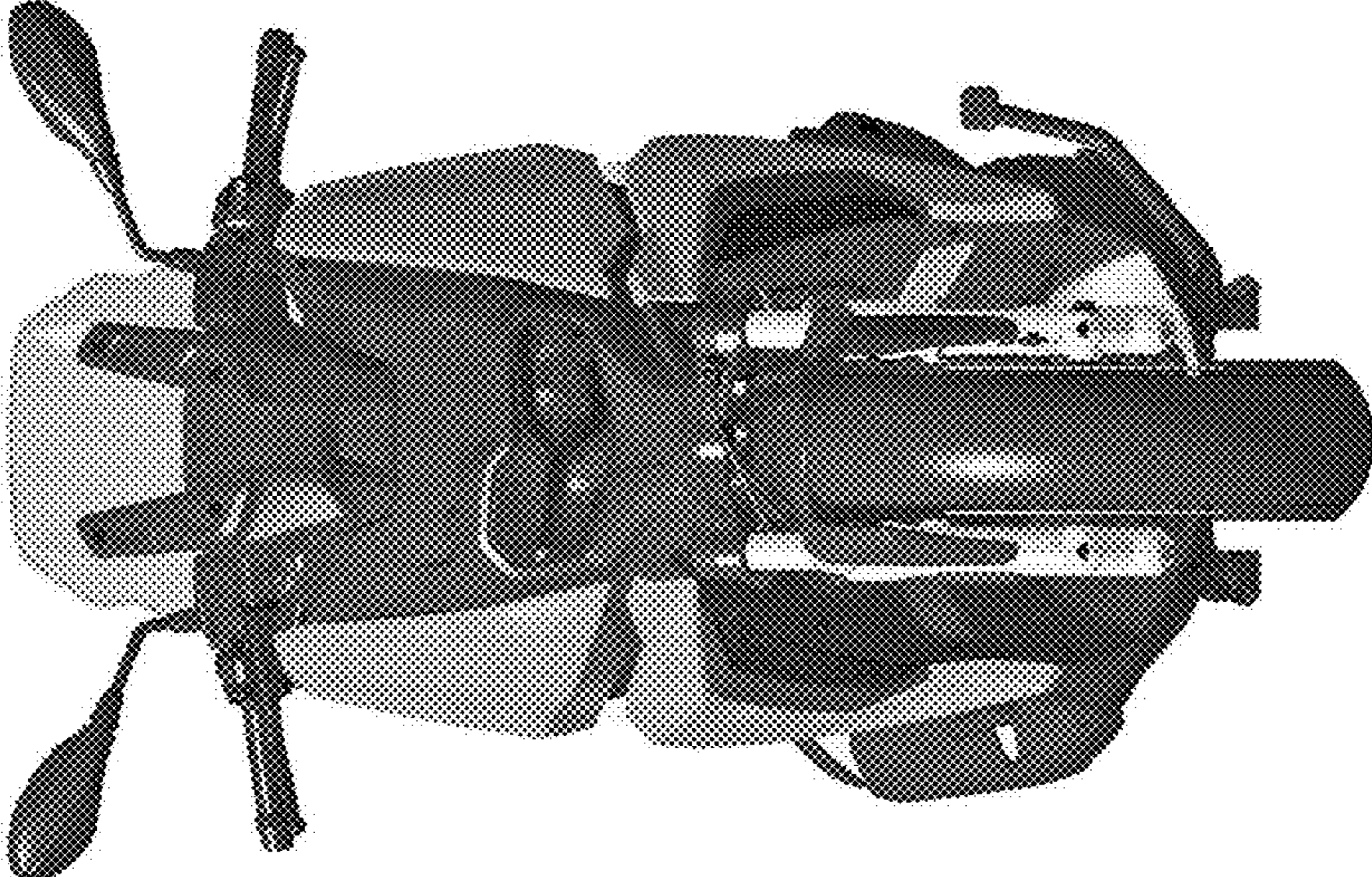


Fig. 4

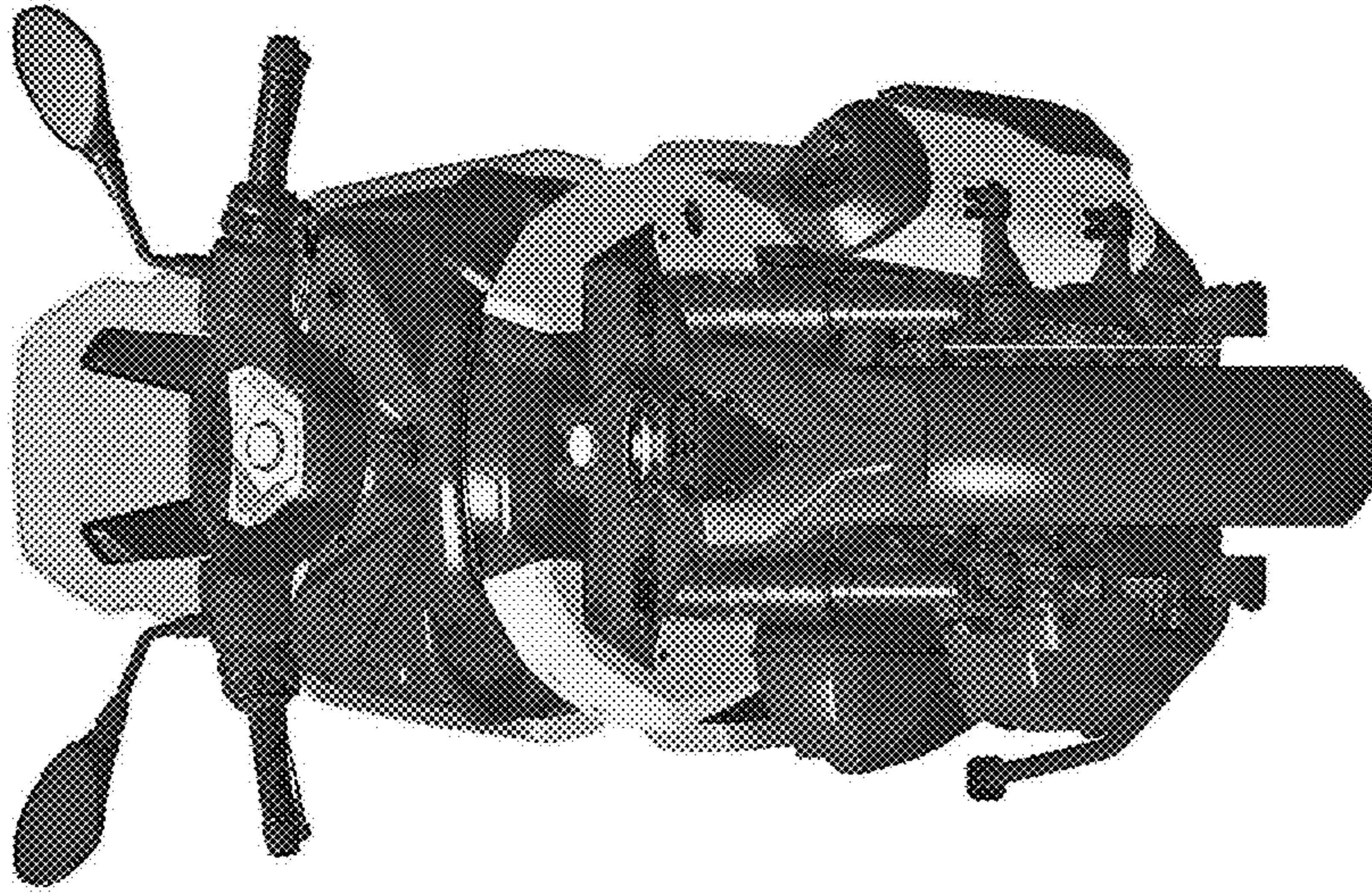


Fig. 5



Fig. 6

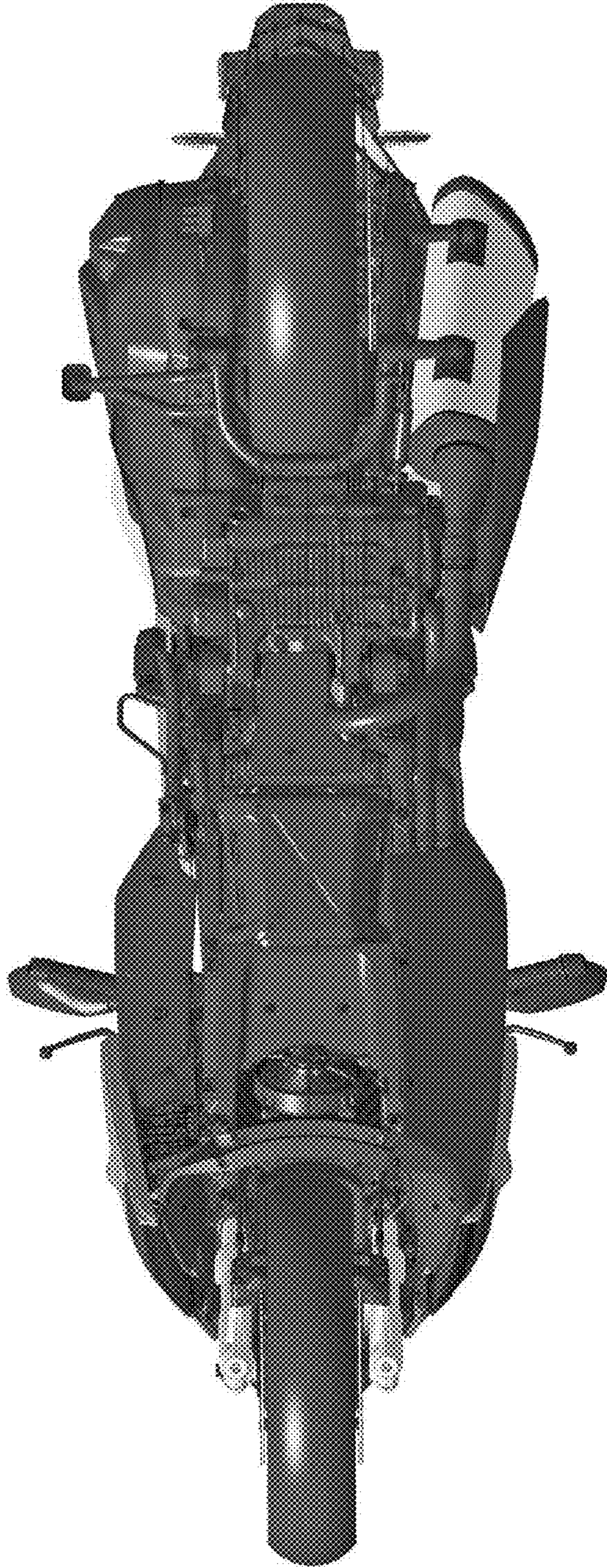


Fig. 7