



US00D828224S

(12) **United States Design Patent** (10) **Patent No.:** **US D828,224 S**  
**Janssen et al.** (45) **Date of Patent:** **\*\* Sep. 11, 2018**

(54) **VEHICLE, TOY, AND/OR REPLICAS THEREOF**

D549,616 S \* 8/2007 Pfeiffer ..... D12/96  
D550,122 S 9/2007 Pfeiffer  
D550,127 S \* 9/2007 Pfeiffer ..... D12/96  
D722,287 S 2/2015 Janssen et al.  
D731,362 S \* 6/2015 Gorsten Schuenemann .. D12/91

(71) Applicant: **Daimler AG**, Stuttgart (DE)

\* cited by examiner

(72) Inventors: **Bertrand Janssen**, Boeblingen (DE);  
**Kai Sieber**, Stuttgart (DE); **Gorden Wagener**, Gaeufelden (DE)

*Primary Examiner* — Melody N Brown

(73) Assignee: **Daimler AG**, Stuttgart (DE)

(74) *Attorney, Agent, or Firm* — Crowell & Moring LLP

(\*\*) Term: **15 Years**

(57) **CLAIM**

(21) Appl. No.: **29/617,440**

The ornamental design for a vehicle, toy, and/or replicas thereof, as shown and described.

(22) Filed: **Sep. 14, 2017**

(30) **Foreign Application Priority Data**

**DESCRIPTION**

Mar. 15, 2017 (WO) ..... DM/095305

(51) **LOC (11) Cl.** ..... **12-08**

(52) **U.S. Cl.**  
USPC ..... **D12/91; D12/90**

(58) **Field of Classification Search**  
USPC ..... D12/86, 90–92, 88; D21/421, 433, 434;  
296/181.1, 181.5  
CPC ..... B62D 35/00; B62D 25/00; B62D 25/06;  
B62D 33/00  
See application file for complete search history.

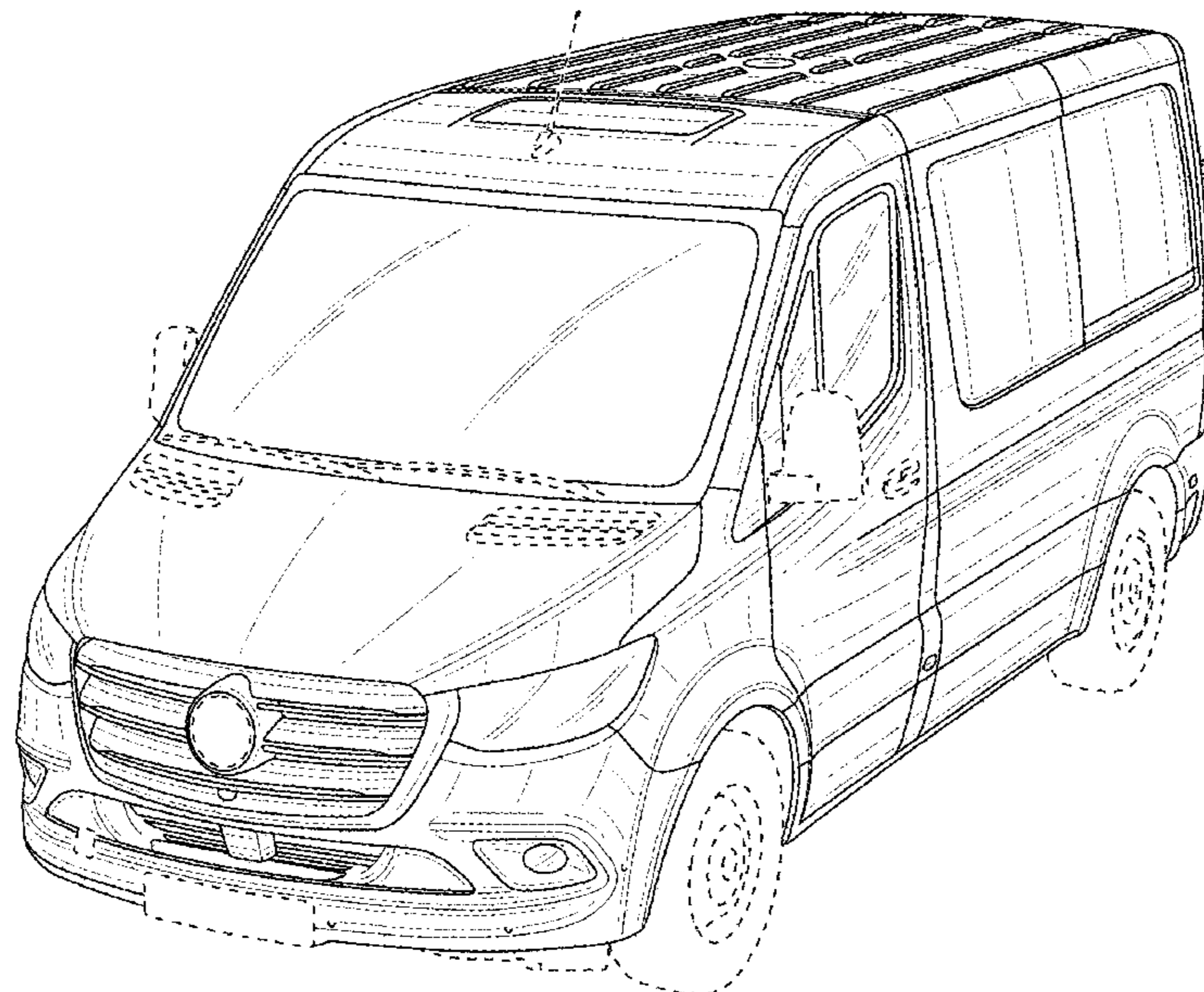
This application contains subject matter related to the following co-pending U.S. design patent applications:  
Application Ser. No. 29/617,439, filed herewith and entitled “Vehicle, Toy, and/or Replicas Thereof”;  
Application Ser. No. 29/617,441, filed herewith and entitled “Front Portion of a Vehicle, Toy, and/or Replicas Thereof”;  
and  
Application Ser. No. 29/617,443, filed herewith and entitled “front Portion of a Vehicle, Toy, and/or Replicas Thereof”.  
FIG. 1 is a left, front perspective view of a vehicle, toy, and/or replicas thereof according to the design;  
FIG. 2 is a front view thereof;  
FIG. 3 is a rear view thereof;  
FIG. 4 is a left side view thereof;  
FIG. 5 is a right side view thereof; and,  
FIG. 6 is a top view thereof.  
The broken lines in the drawings illustrate environmental subject matter only and form no part of the claimed design.

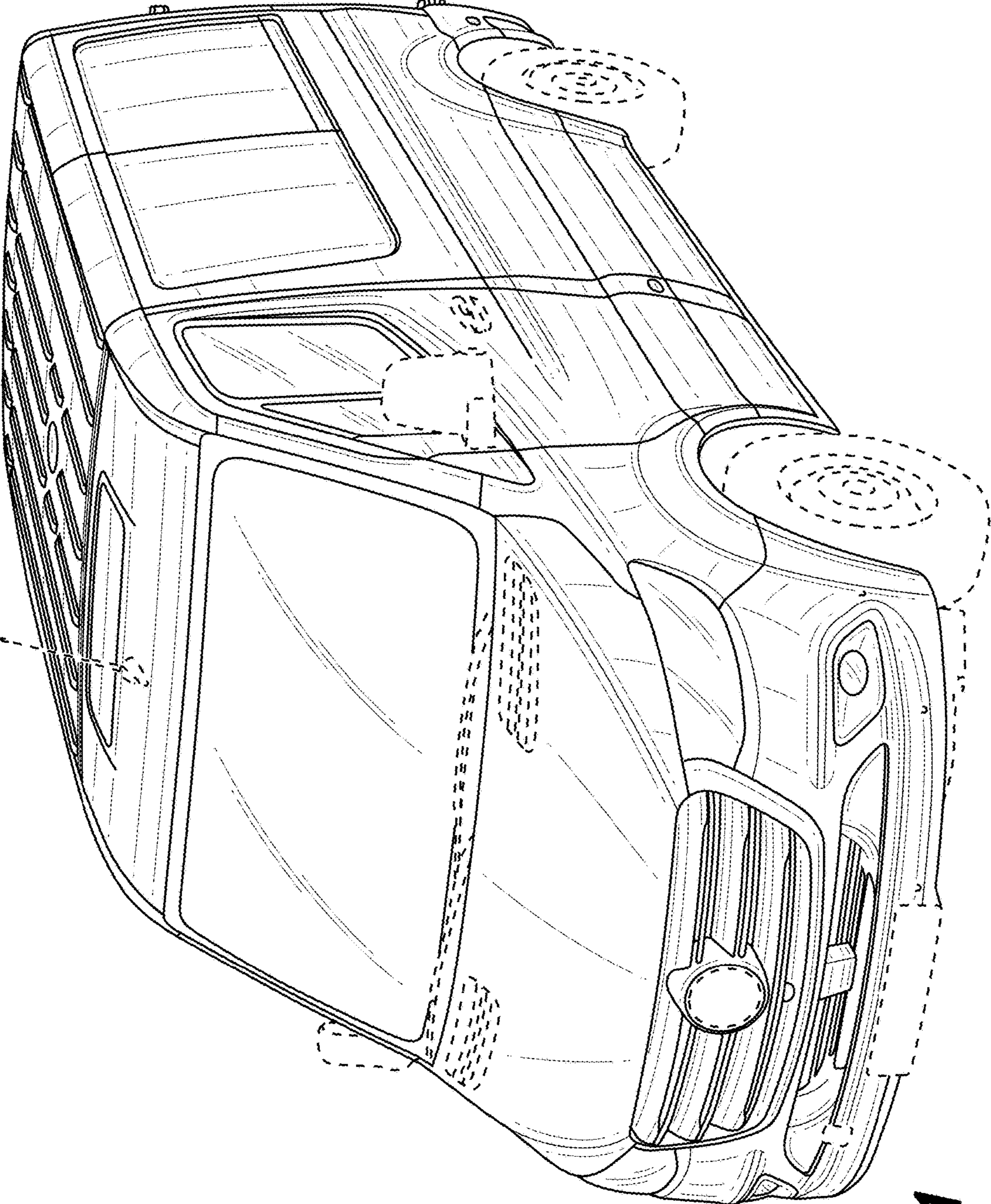
(56) **References Cited**

U.S. PATENT DOCUMENTS

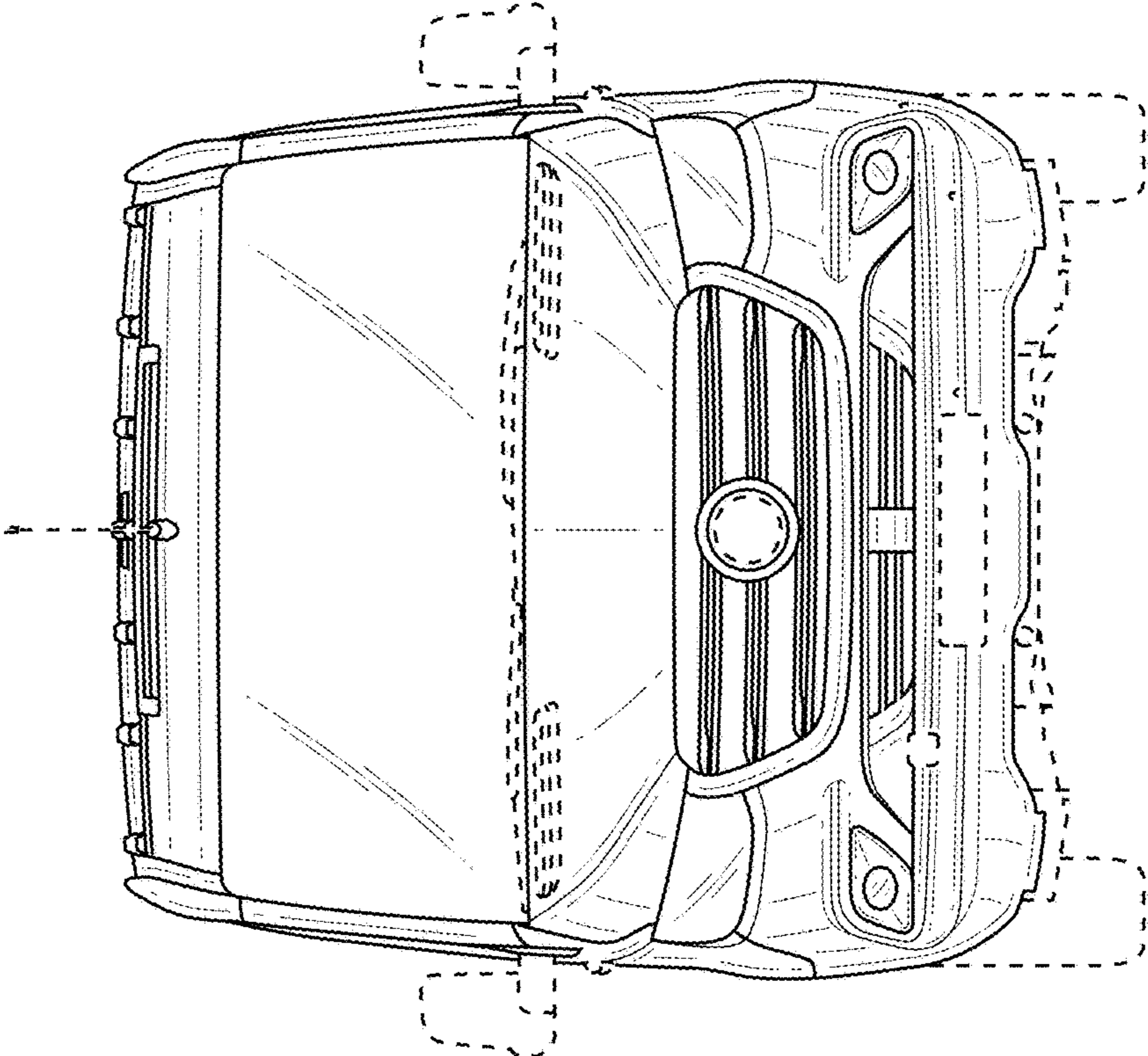
D323,134 S \* 1/1992 Lechner ..... D12/96  
D367,443 S \* 2/1996 Sacco ..... D12/96  
D442,519 S \* 5/2001 Sacco ..... D12/93  
D444,101 S \* 6/2001 Pfeiffer ..... D12/91  
D472,186 S \* 3/2003 Pfeiffer ..... D12/91  
D514,026 S \* 1/2006 Pfeiffer ..... D12/91

**1 Claim, 6 Drawing Sheets**

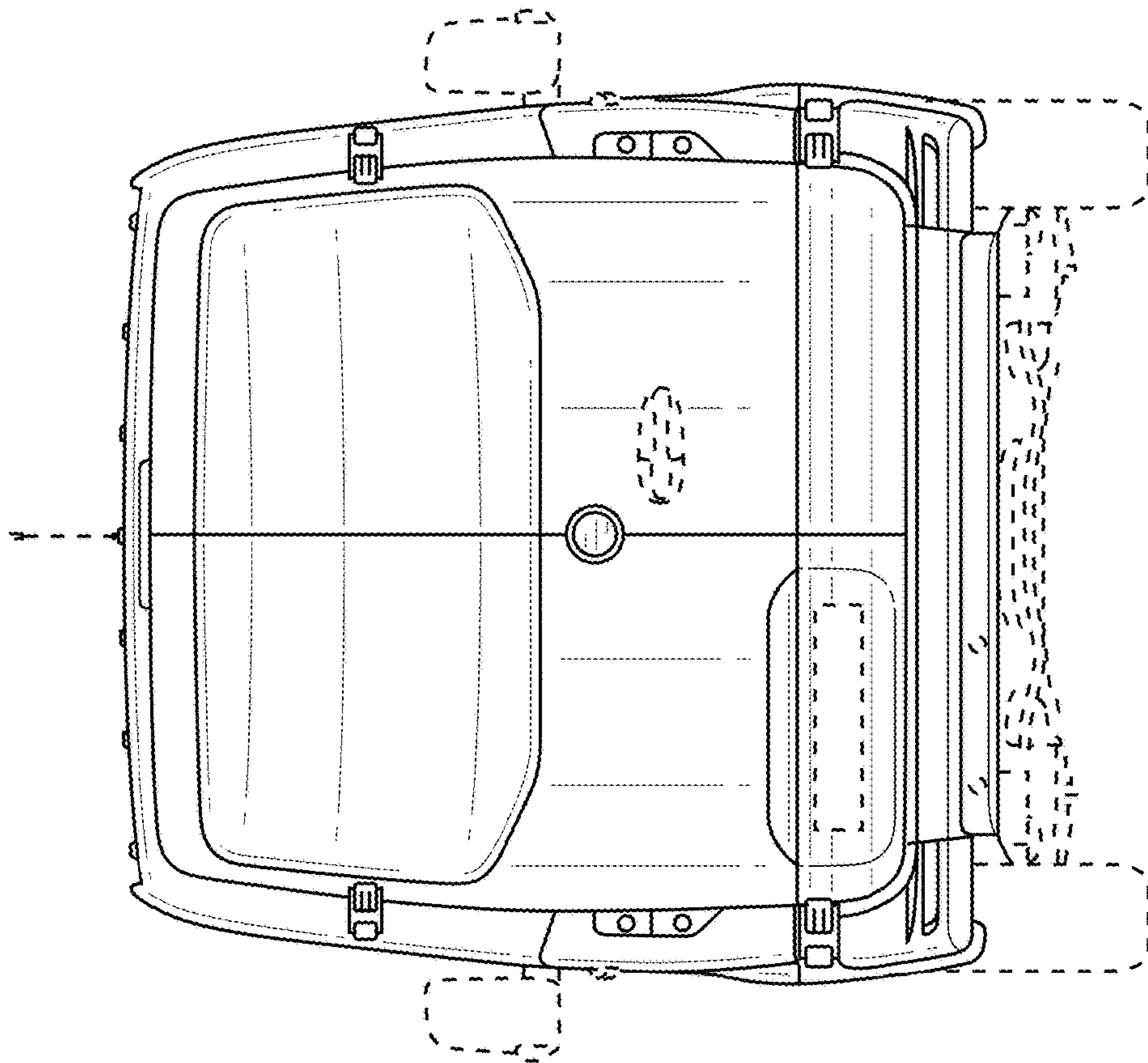




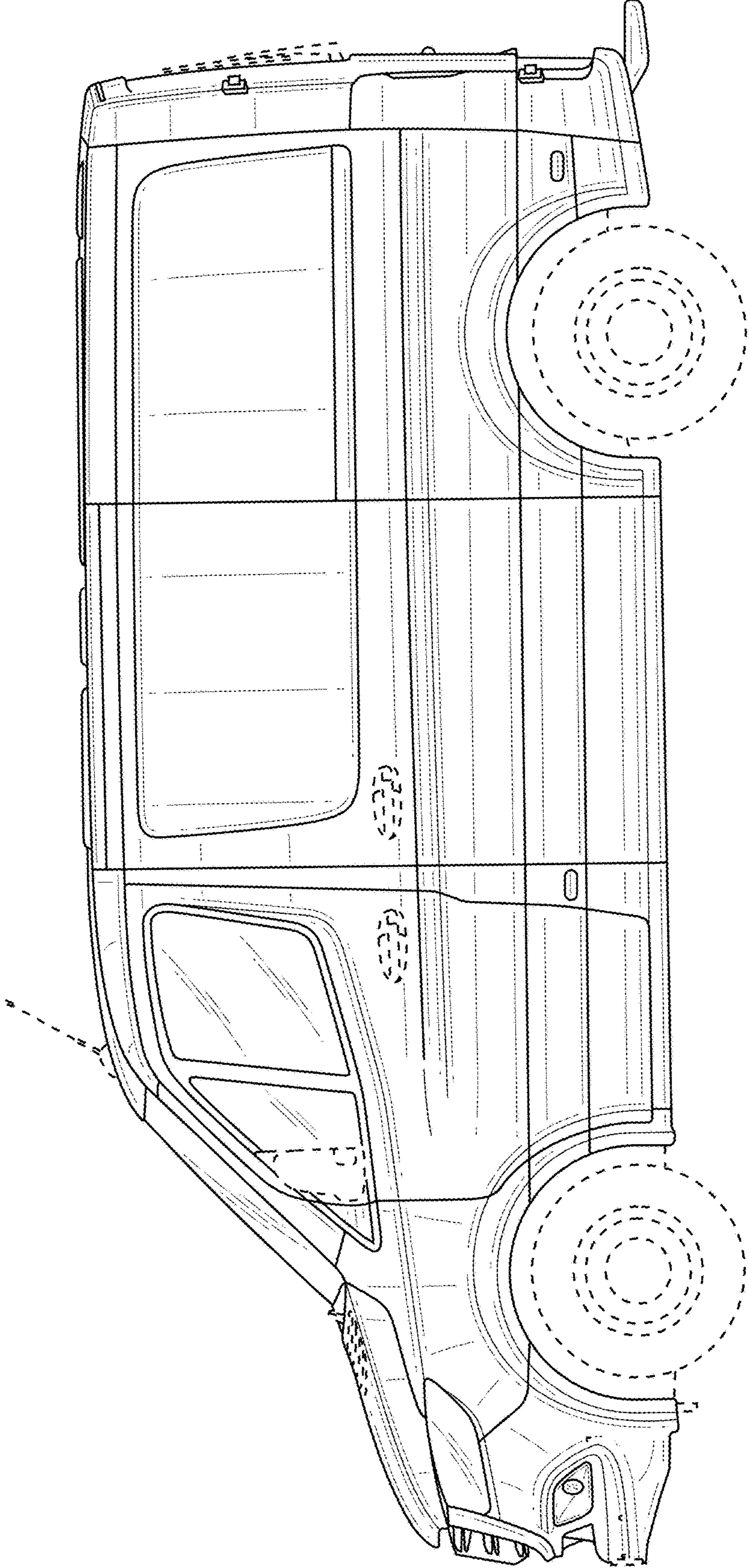
**FIG. 1**



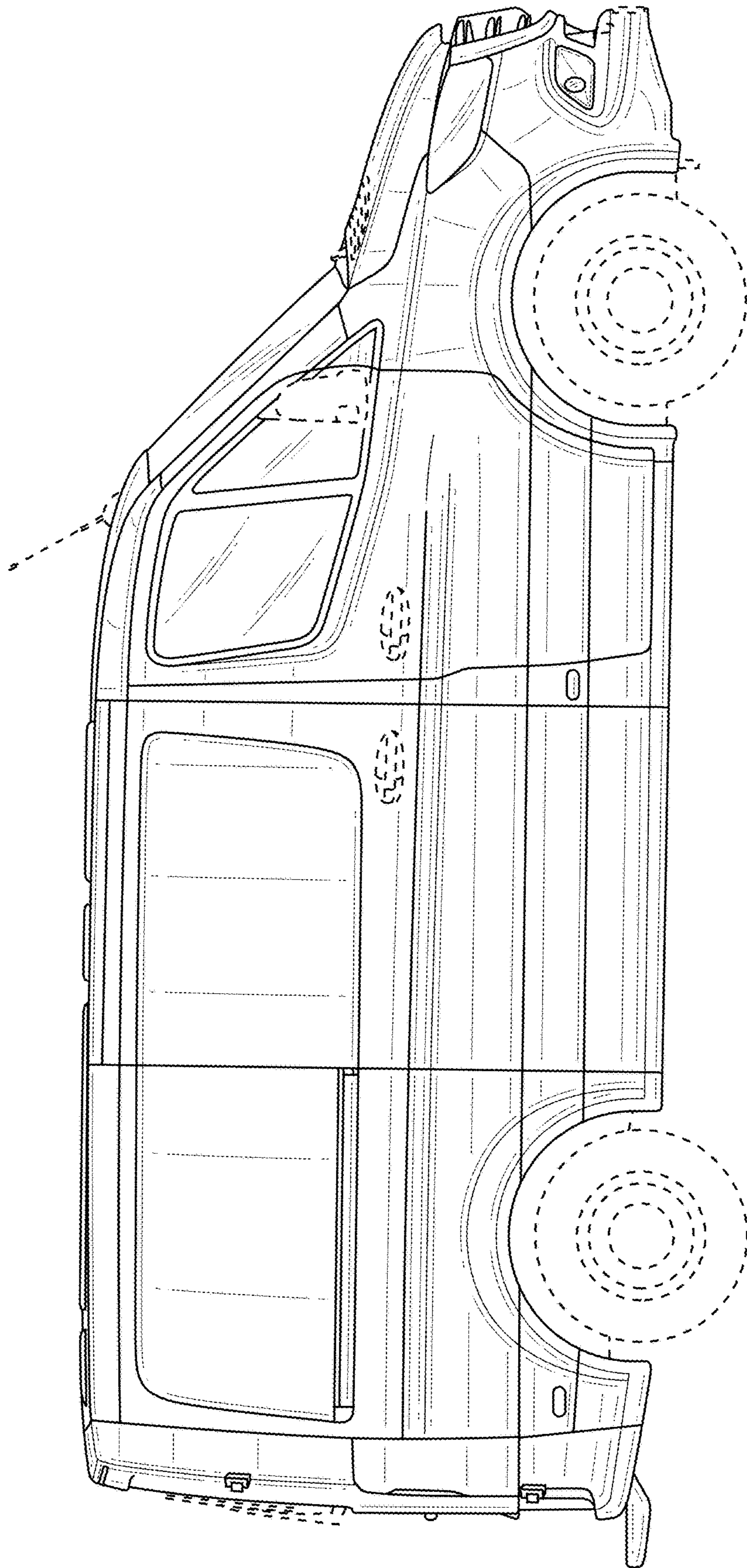
**FIG. 2**



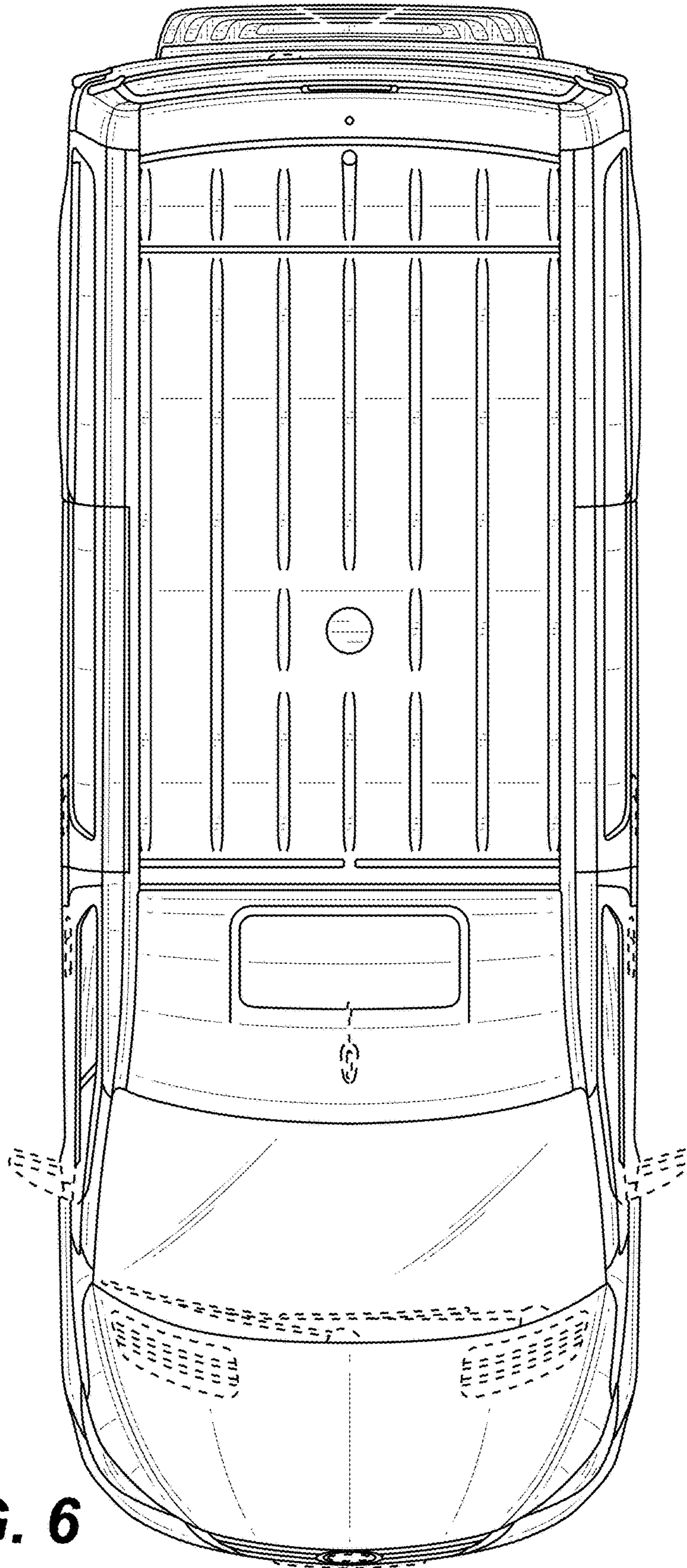
**FIG. 3**



**FIG. 4**



**FIG. 5**



**FIG. 6**