



US00D828223S

(12) **United States Design Patent**  
**Piscitelli**

(10) **Patent No.:** **US D828,223 S**

(45) **Date of Patent:** **\*\* Sep. 11, 2018**

(54) **AUTOMOBILE EXTERIOR**

(71) Applicant: **Chris Piscitelli**, West Bloomfield, MI (US)

(72) Inventor: **Chris Piscitelli**, West Bloomfield, MI (US)

(73) Assignee: **FCA US LLC**, Auburn Hills, MI (US)

(\*\*) Term: **15 Years**

(21) Appl. No.: **29/609,856**

(22) Filed: **Jul. 6, 2017**

(51) **LOC (11) Cl.** ..... **12-08**

(52) **U.S. Cl.**  
USPC ..... **D12/91**

(58) **Field of Classification Search**  
USPC ..... D12/86, 90-92, 88; D21/421, 433, 434;  
296/181.1, 181.5  
CPC ..... B62D 35/00; B62D 25/00; B62D 25/06;  
B62D 33/00

See application file for complete search history.

(56) **References Cited**

**U.S. PATENT DOCUMENTS**

D401,186 S 11/1998 Abbott et al.  
D466,444 S 12/2002 Meadows

D497,572 S 10/2004 Widmann et al.  
D535,585 S \* 1/2007 Moushegian ..... D12/91  
D565,466 S \* 4/2008 Moushegian ..... D12/91  
D568,792 S 5/2008 Moushegian et al.  
D573,507 S \* 7/2008 Moushegian ..... D12/91  
D624,851 S \* 10/2010 Feng ..... D12/91  
D801,860 S \* 11/2017 Piscitelli ..... D12/91  
D810,626 S \* 2/2018 Macey ..... D12/91  
D811,270 S \* 2/2018 Zhang ..... D12/91

\* cited by examiner

*Primary Examiner* — Melody N Brown

(74) *Attorney, Agent, or Firm* — Ralph E. Smith

(57) **CLAIM**

The ornamental design for an automobile exterior, as shown and described.

**DESCRIPTION**

FIG. 1 is a front perspective view of an automobile exterior showing our new design;

FIG. 2 is a rear perspective view thereof;

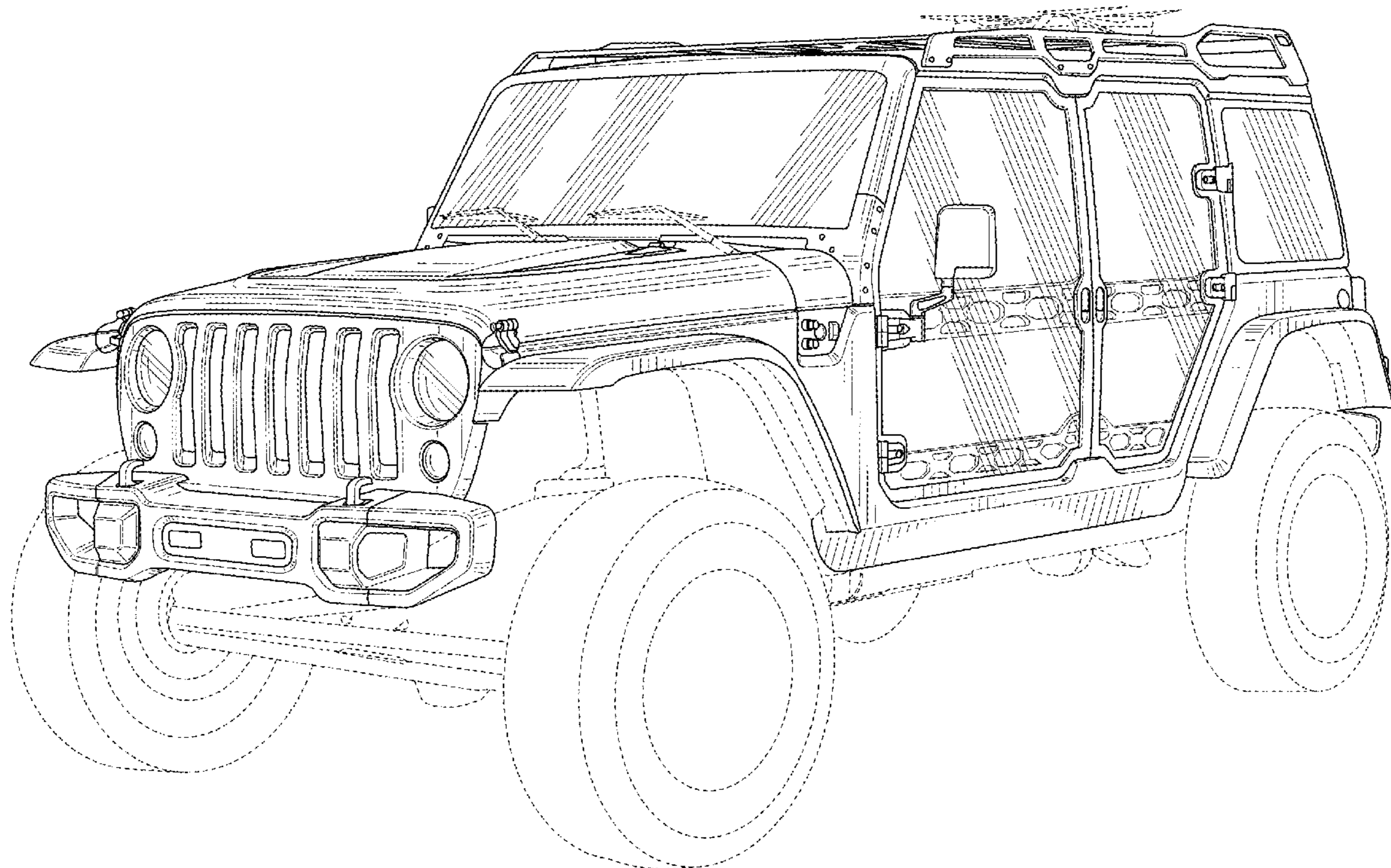
FIG. 3 is a front view thereof;

FIG. 4 is a rear view thereof; and,

FIG. 5 is a side view thereof.

It will be understood that the broken lines shown in the drawings illustrate portions of the automobile exterior that form no part of claimed design.

**1 Claim, 5 Drawing Sheets**



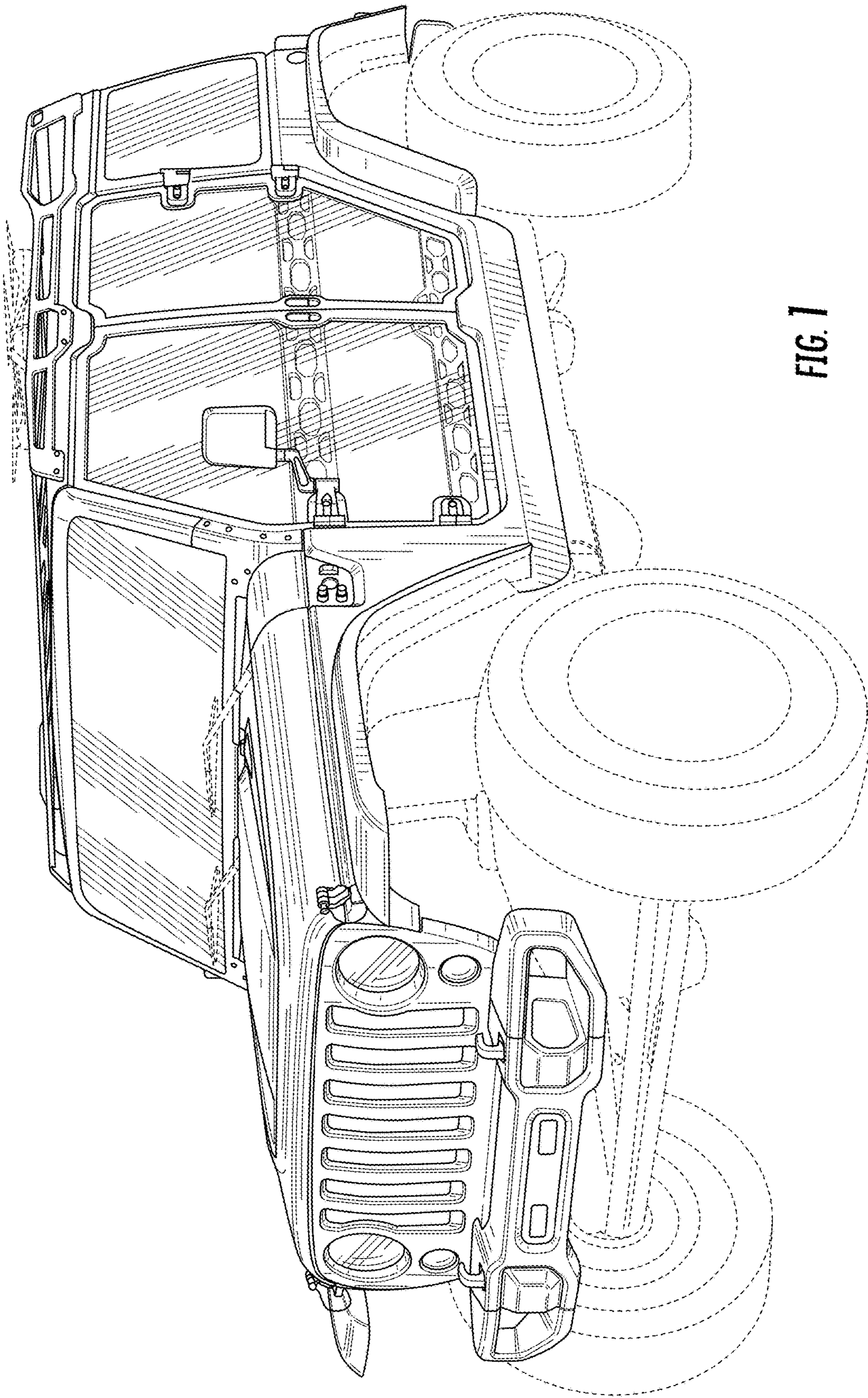


FIG. 1

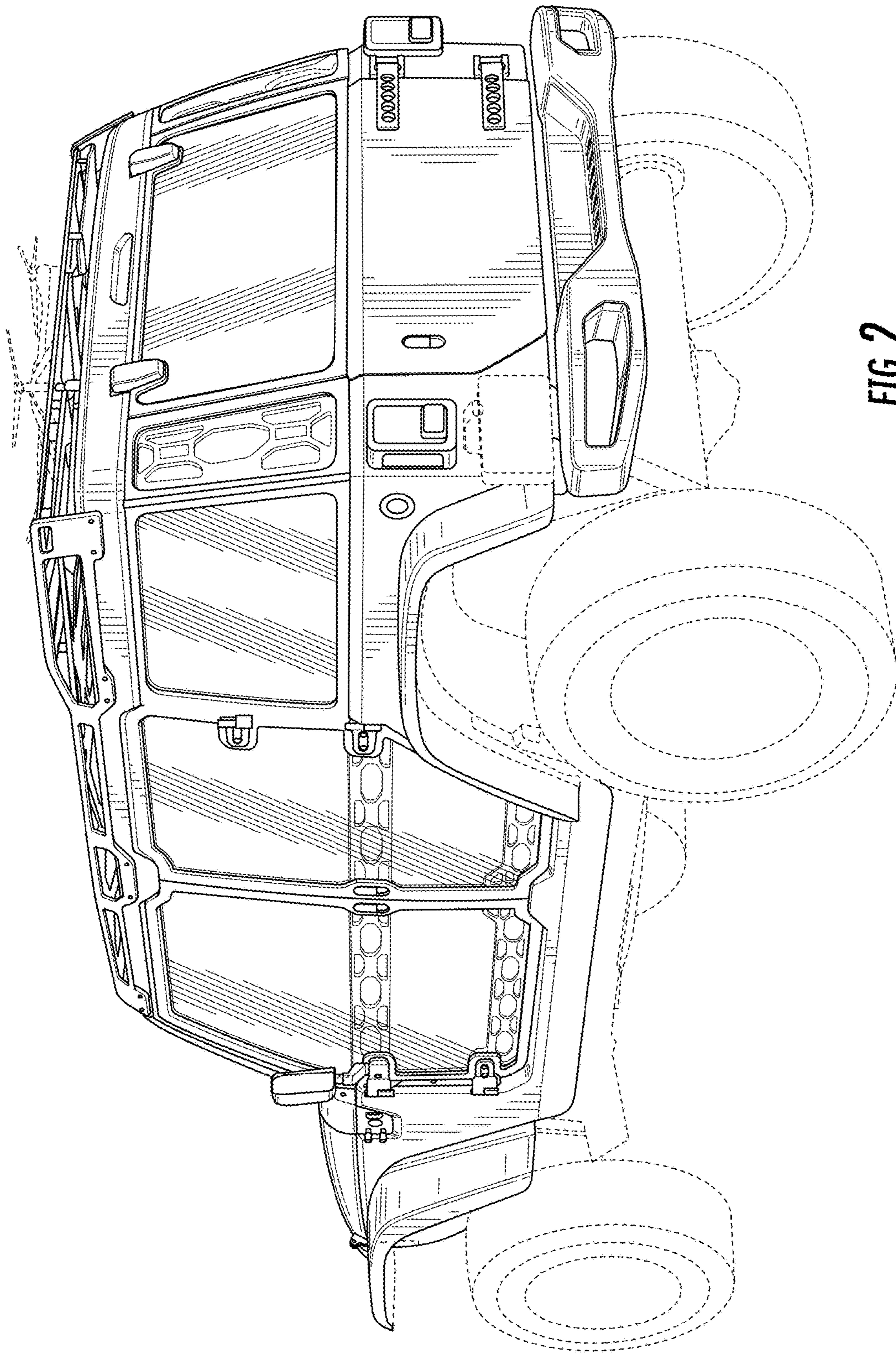
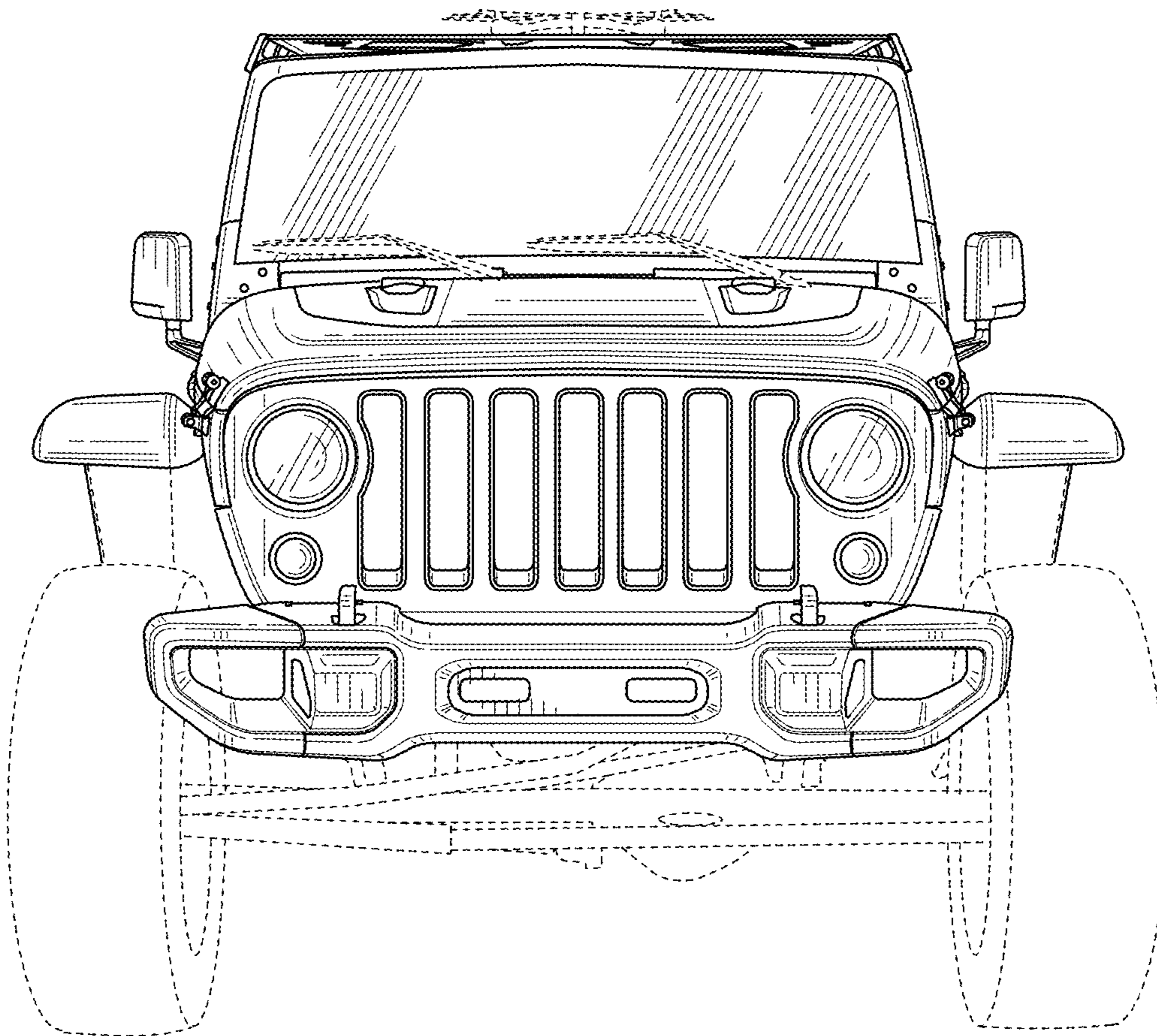
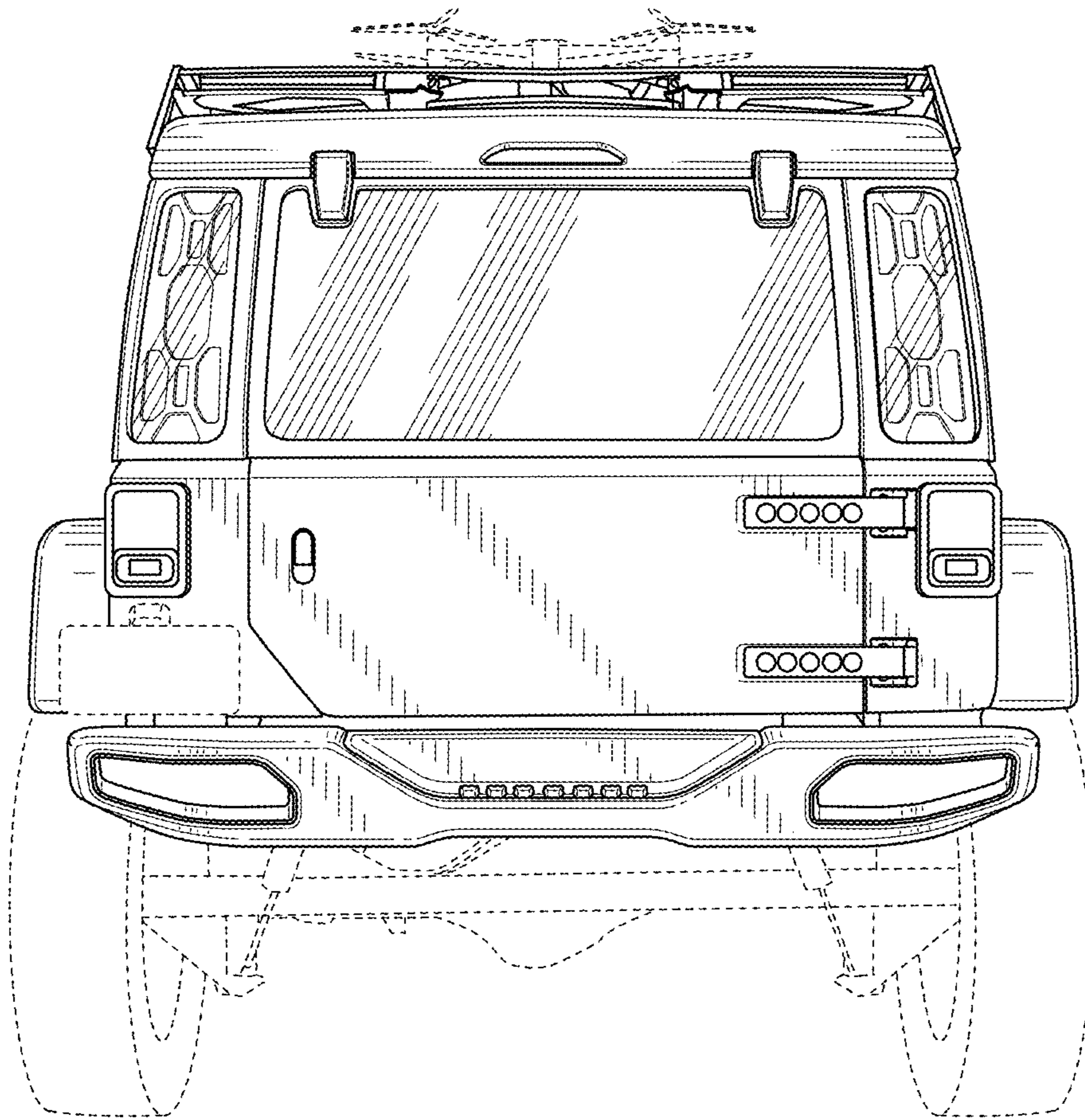


FIG. 2



**FIG. 3**



**FIG. 4**

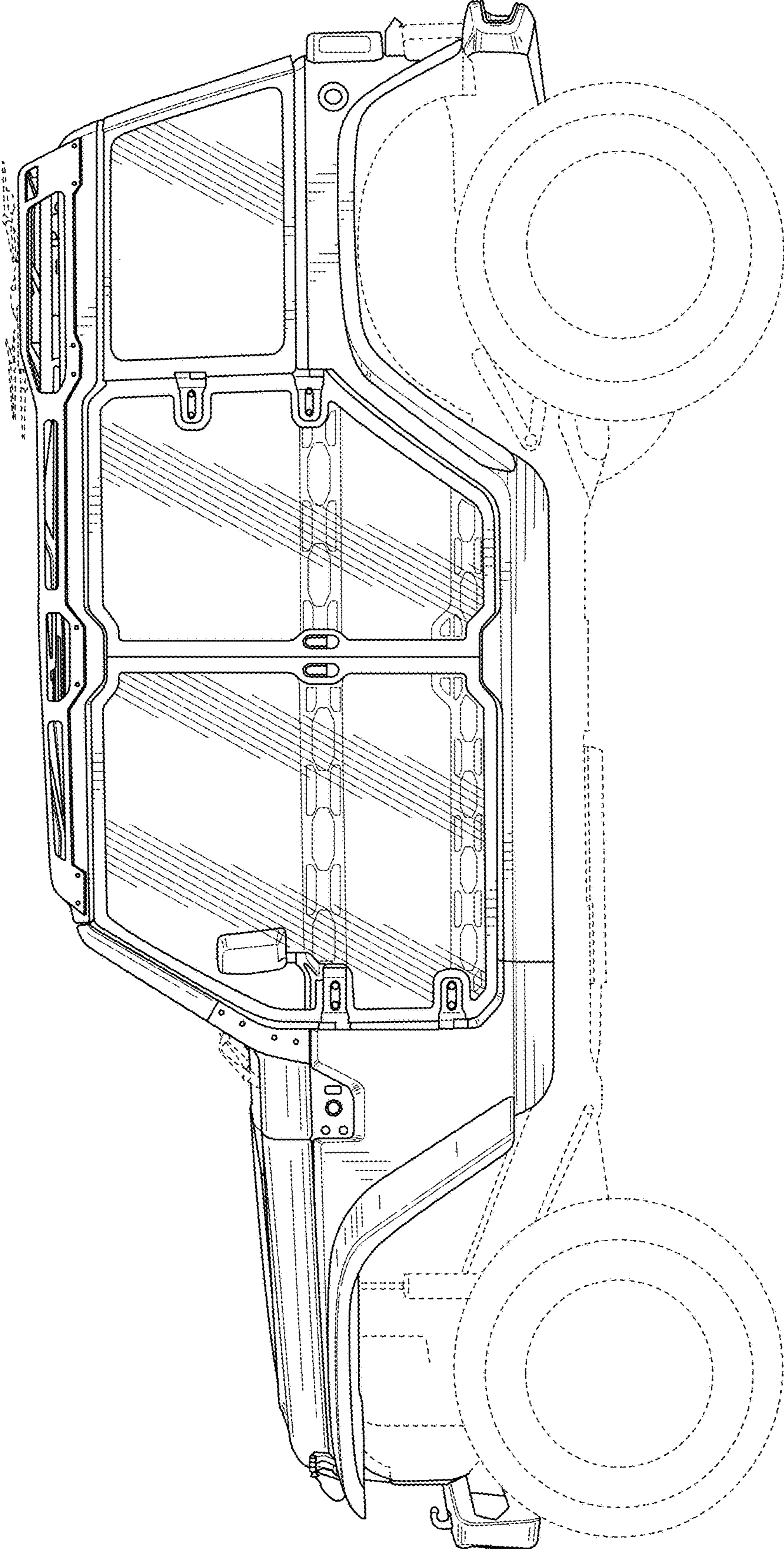


FIG. 5