



US00D828222S

(12) **United States Design Patent** (10) **Patent No.:** **US D828,222 S**  
**Yu** (45) **Date of Patent:** **\*\* Sep. 11, 2018**

(54) **UNMANNED AERIAL VEHICLE**  
(71) Applicants: **Beijing Jingdong Shangke Information Technology Co., Ltd., Beijing (CN); Beijing Jingdong Century Trading Co., Ltd., Beijing (CN)**  
(72) Inventor: **Lei Yu, Beijing (CN)**  
(73) Assignees: **Beijing Jingdong Shangke Information Technology Co, Beijing (CN); Beijing Jingdong Century Trading Co., Ltd., Beijing (CN)**  
(\*\*) Term: **15 Years**  
(21) Appl. No.: **29/605,704**  
(22) Filed: **May 30, 2017**

D741,779 S \* 10/2015 Hsiao ..... D12/16.1  
D745,435 S 12/2015 Park et al.  
D751,025 S 3/2016 Howell et al.  
D759,764 S \* 6/2016 Lai ..... D12/16.1  
D760,848 S \* 7/2016 McKenna ..... D12/16.1  
D761,690 S 7/2016 Friesmuth  
D763,134 S \* 8/2016 Wang ..... D12/16.1  
D768,539 S \* 10/2016 Lee ..... D12/16.1  
D768,789 S \* 10/2016 Fargeau ..... D12/16.1  
D770,940 S 11/2016 Taylor et al.  
D772,991 S \* 11/2016 Caubel ..... D12/16.1  
D776,569 S 1/2017 Baruchin  
D776,570 S 1/2017 Baruchin  
D777,059 S 1/2017 Zhang et al.  
D780,062 S 2/2017 Wu et al.  
D782,365 S 3/2017 Hung  
D782,366 S \* 3/2017 Xiao ..... D12/16.1  
D784,201 S 4/2017 Goldy  
D784,202 S 4/2017 Park  
D784,854 S \* 4/2017 Huang ..... D12/16.1  
D795,967 S \* 8/2017 Haley ..... D12/16.1  
D796,586 S \* 9/2017 Chen ..... D12/16.1  
9,773,418 B1 \* 9/2017 Smith ..... G08G 5/0043

(Continued)

(30) **Foreign Application Priority Data**  
Mar. 7, 2017 (CN) ..... 2017 3 0062289  
(51) **LOC (11) Cl.** ..... **12-07**  
(52) **U.S. Cl.**  
USPC ..... **D12/16.1**  
(58) **Field of Classification Search**  
USPC ..... D12/16.1, 319, 325, 326, 327, 328,  
D12/329-345; D21/436, 441, 442, 443,  
D21/444, 445-453  
CPC ..... B64C 39/024; B64C 2201/141; B64C  
2201/00; B64C 2201/108  
See application file for complete search history.

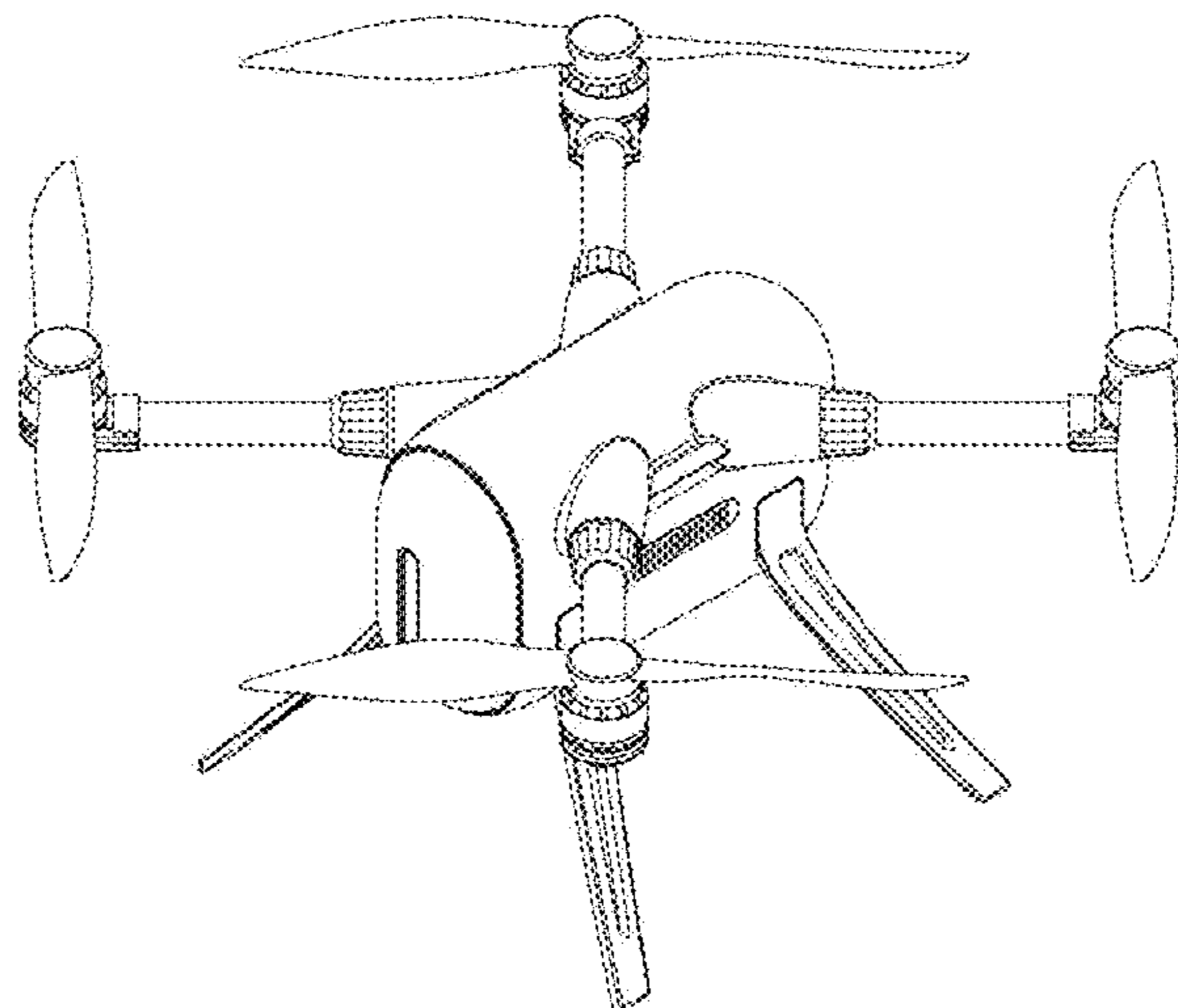
(56) **References Cited**  
U.S. PATENT DOCUMENTS  
D628,658 S \* 12/2010 Wurm ..... D21/442  
D691,514 S \* 10/2013 Wang ..... D12/16.1  
9,061,763 B1 \* 6/2015 Christensen ..... A63H 17/28

*Primary Examiner* — Brandon M Rosati  
*Assistant Examiner* — Marissa J Cash  
(74) *Attorney, Agent, or Firm* — Dinsmore & Shohl, LLP

(57) **CLAIM**  
The ornamental design for an unmanned aerial vehicle, as shown and described.

**DESCRIPTION**  
FIG. 1 is a perspective view of an unmanned aerial vehicle showing the design;  
FIG. 2 is a front elevation view of the design;  
FIG. 3 is a rear elevation view of the design;  
FIG. 4 is a left-side elevation view of the design  
FIG. 5 is a right-side elevation view of the design;  
FIG. 6 is a top plan view of the design; and,  
FIG. 7 is a bottom plan view of the design.

**1 Claim, 7 Drawing Sheets**



(56)

References Cited

U.S. PATENT DOCUMENTS

D798,961 S \* 10/2017 Li ..... D21/441  
 D800,602 S \* 10/2017 Hsiao ..... D12/16.1  
 9,783,294 B2 \* 10/2017 Johannesson ..... B64C 39/024  
 D803,328 S \* 11/2017 Lee ..... D21/441  
 2015/0129711 A1 \* 5/2015 Caubel ..... B64C 27/08  
 2015/0321755 A1 \* 11/2015 Martin ..... B64C 27/50  
 2015/0336670 A1 \* 11/2015 Zhang ..... B64C 1/00  
 2016/0001879 A1 \* 1/2016 Johannesson ..... B64C 27/50  
 2016/0122017 A1 \* 5/2016 Welker ..... B64C 39/024  
 2016/0200207 A1 \* 7/2016 Lee ..... B60L 11/1816  
 2016/0236777 A1 \* 8/2016 Tang ..... B64C 39/024  
 2016/0313742 A1 \* 10/2016 Wang ..... G05D 1/0669  
 2016/0337562 A1 \* 11/2016 Kang ..... H04N 5/2254  
 2016/0362173 A1 \* 12/2016 Marion ..... B64C 39/024

2017/0001721 A1 \* 1/2017 Saika ..... B64C 27/48  
 2017/0029106 A1 \* 2/2017 Chang ..... B64C 25/56  
 2017/0029134 A1 \* 2/2017 Lee ..... G05D 1/0676  
 2017/0096075 A1 \* 4/2017 Henry ..... B60L 11/1822  
 2017/0120763 A1 \* 5/2017 Henry ..... B60L 11/1822  
 2017/0144756 A1 \* 5/2017 Rastgaar Aagaah .....  
 B64C 39/024  
 2017/0150053 A1 \* 5/2017 Eline ..... B64C 39/024  
 2017/0166308 A1 \* 6/2017 Desrochers ..... B64D 1/08  
 2017/0190260 A1 \* 7/2017 Wang ..... B60L 11/1822  
 2017/0197718 A1 \* 7/2017 Buchmueller ..... B64D 1/22  
 2017/0215086 A1 \* 7/2017 Priest ..... H04W 16/18  
 2017/0221395 A1 \* 8/2017 Benatar ..... G09F 13/0409  
 2017/0225792 A1 \* 8/2017 Wang ..... B64D 17/70  
 2017/0240277 A1 \* 8/2017 Molnar ..... B64C 39/022  
 2017/0247113 A1 \* 8/2017 Sanlerville ..... B64C 27/08  
 2017/0267334 A1 \* 9/2017 Tsai ..... B64C 25/10  
 2017/0283050 A1 \* 10/2017 Baek ..... B64C 27/08  
 2017/0287242 A1 \* 10/2017 Meganathan ..... B64C 39/024  
 2017/0308099 A1 \* 10/2017 Kim ..... G05D 1/0676  
 2017/0313418 A1 \* 11/2017 Yoon ..... B64C 39/024  
 2017/0340176 A1 \* 11/2017 Liao ..... A47L 1/02

\* cited by examiner

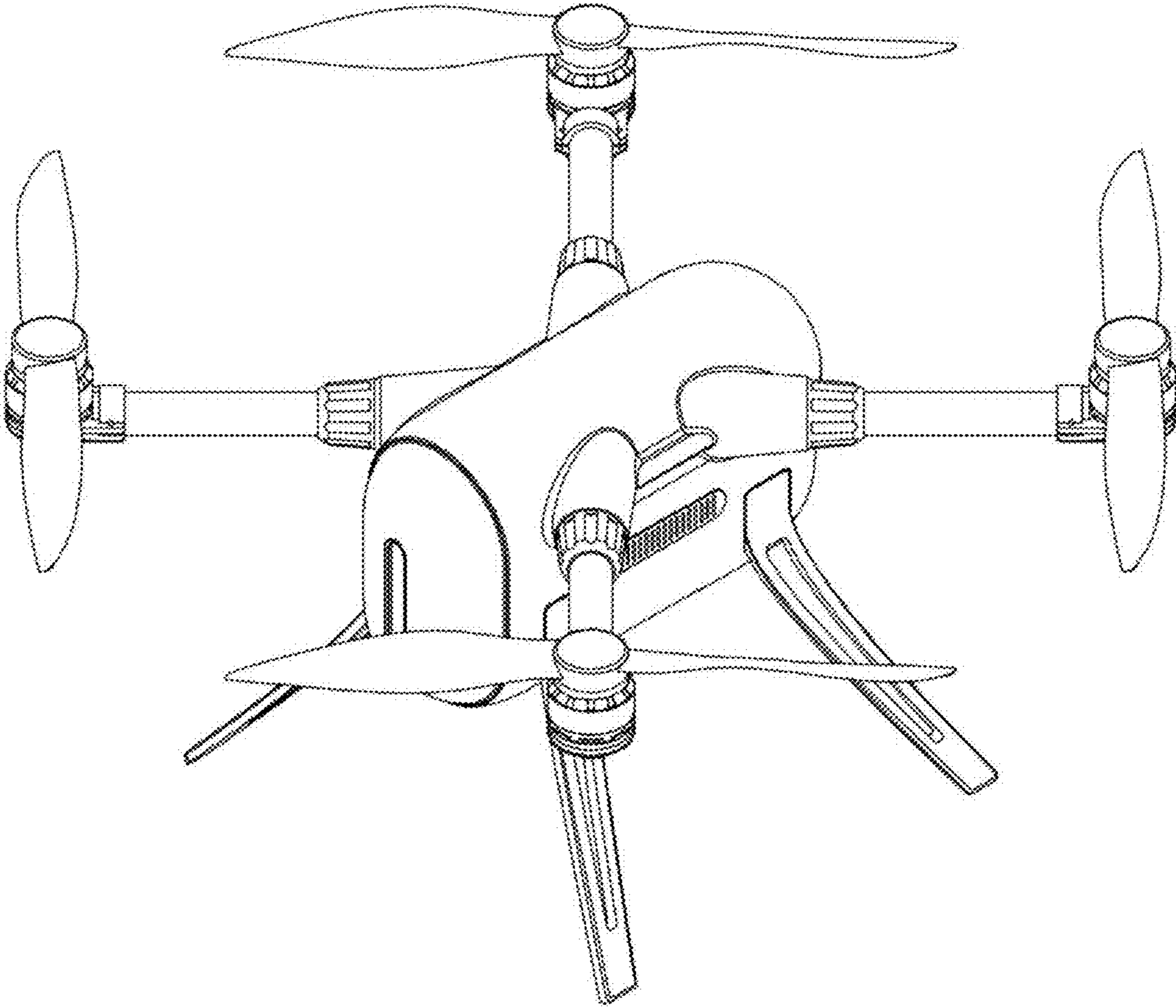


FIG. 1

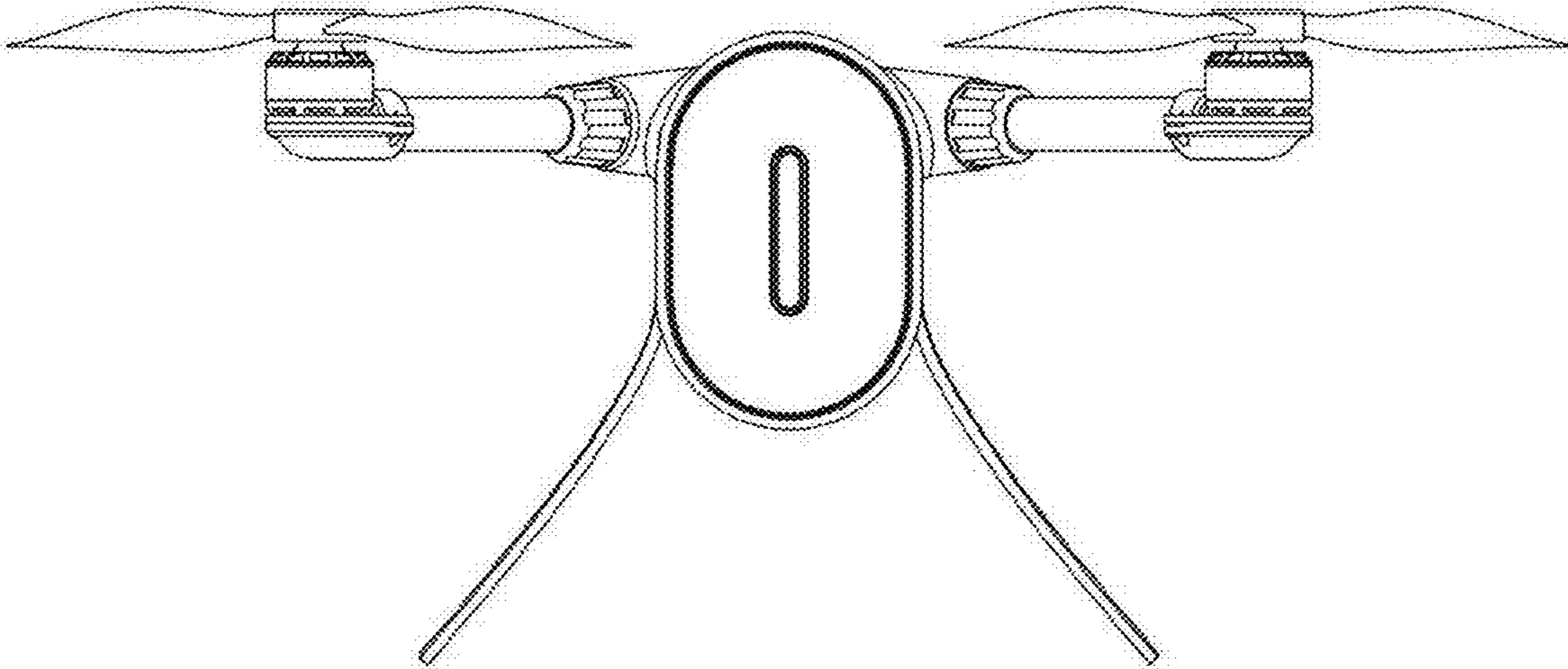


FIG. 2

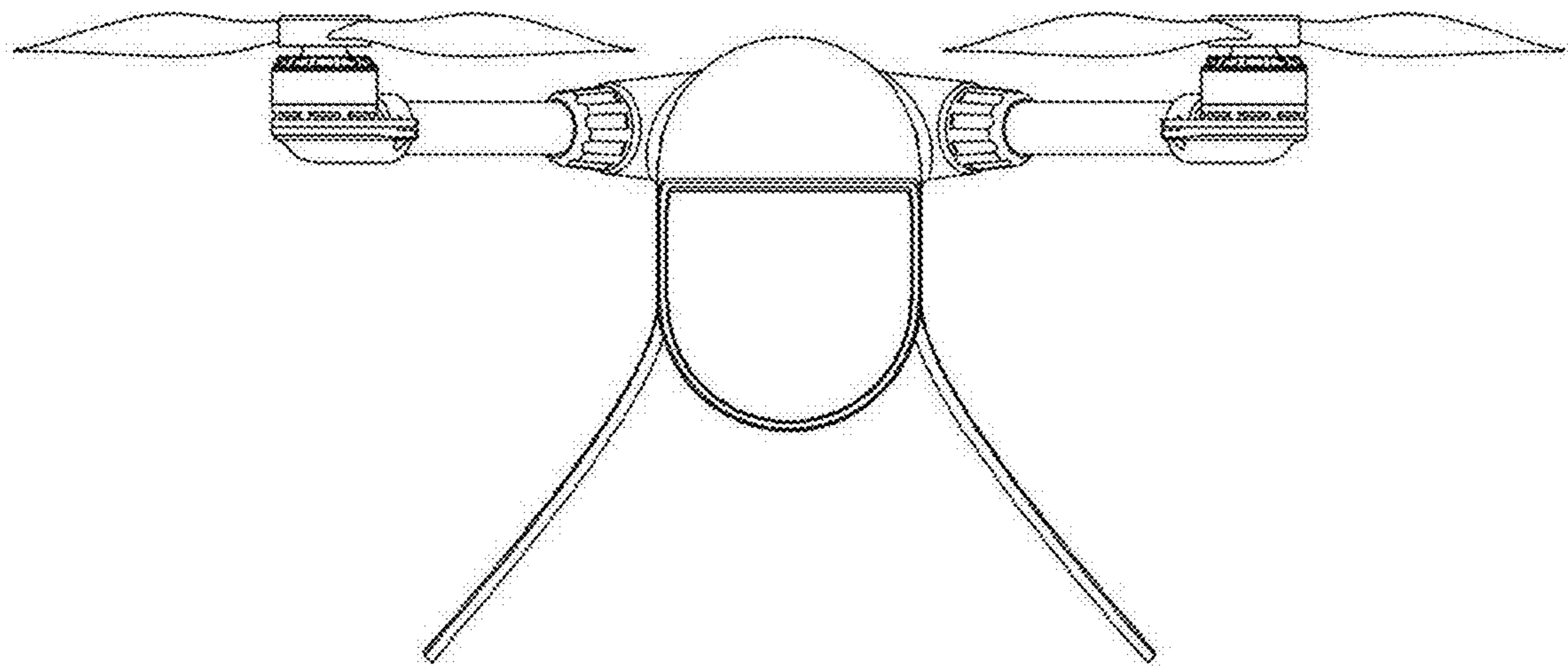


FIG. 3

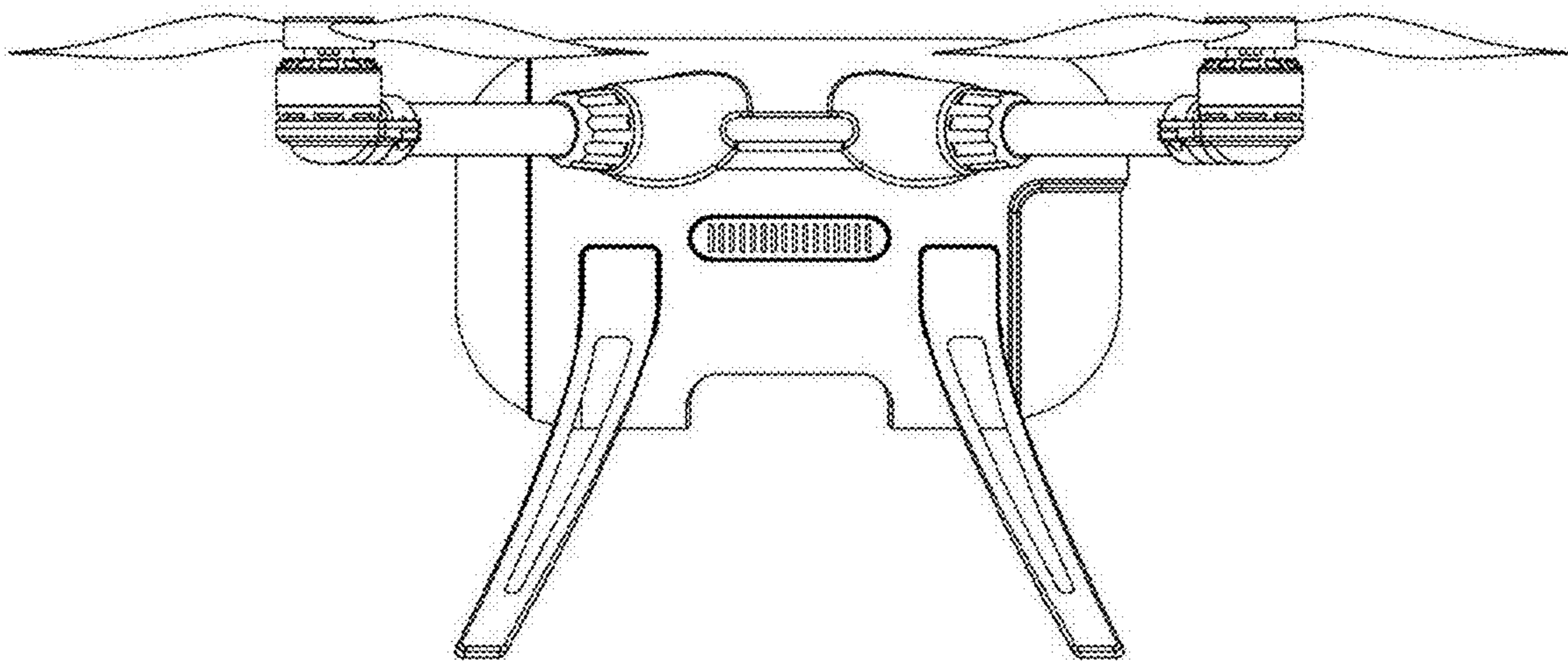


FIG. 4

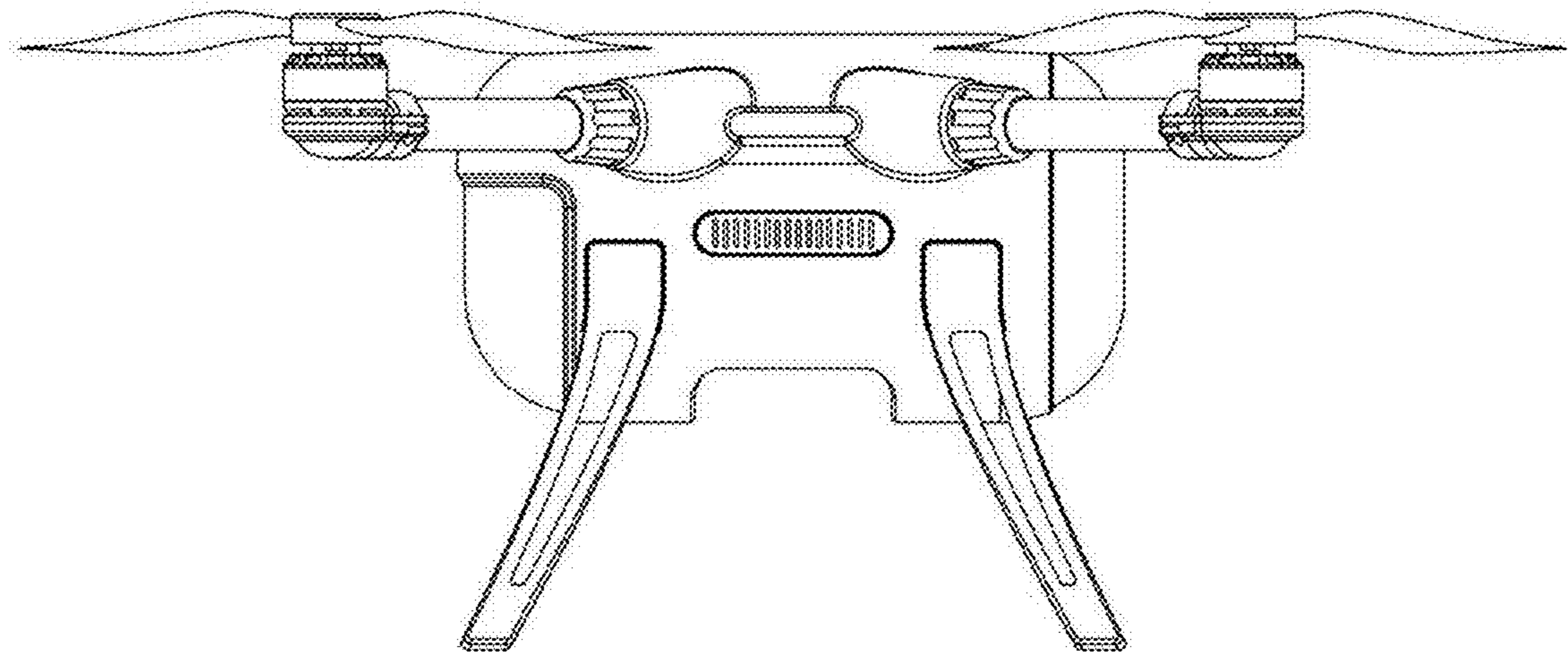


FIG. 5

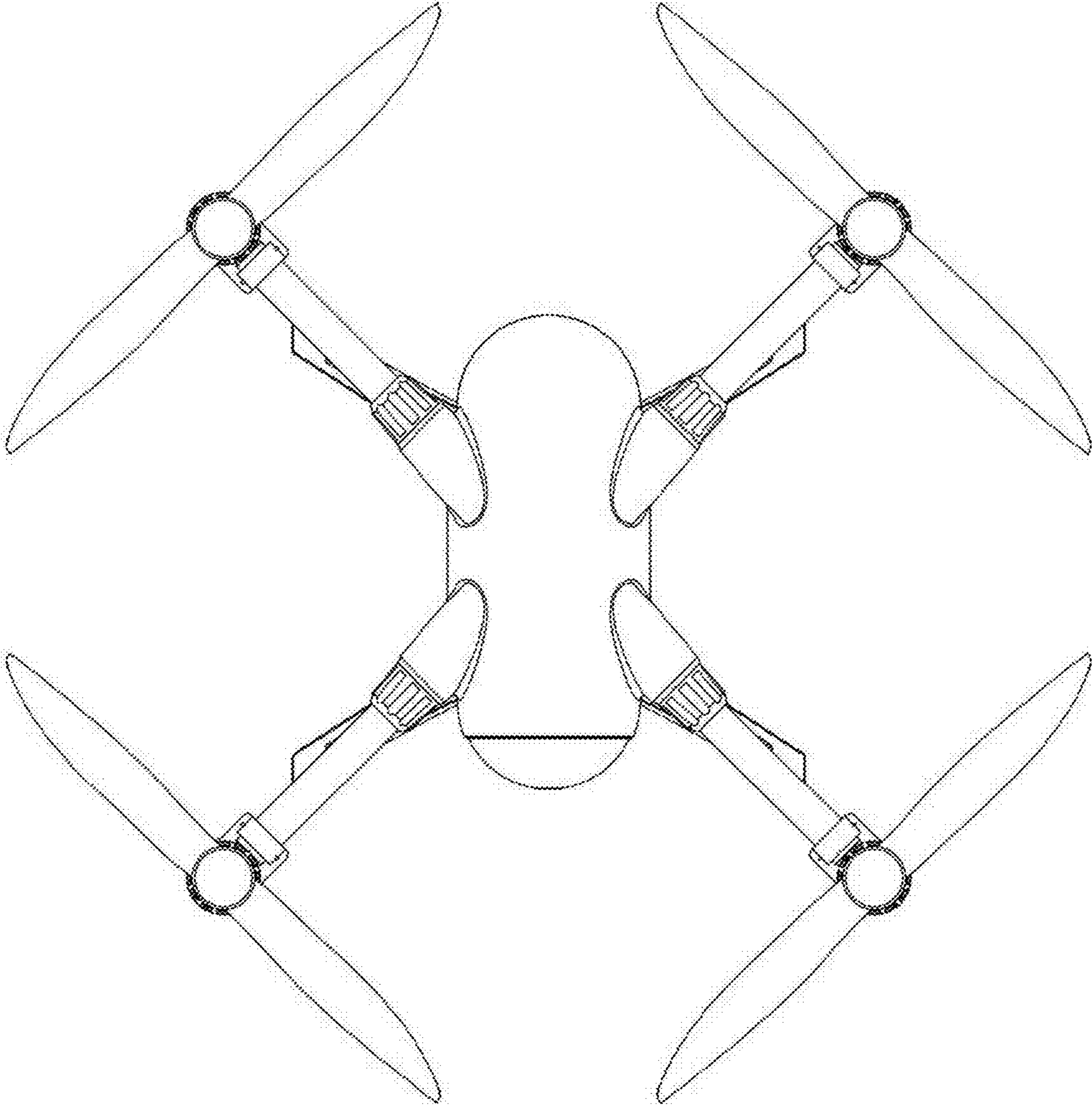


FIG. 6



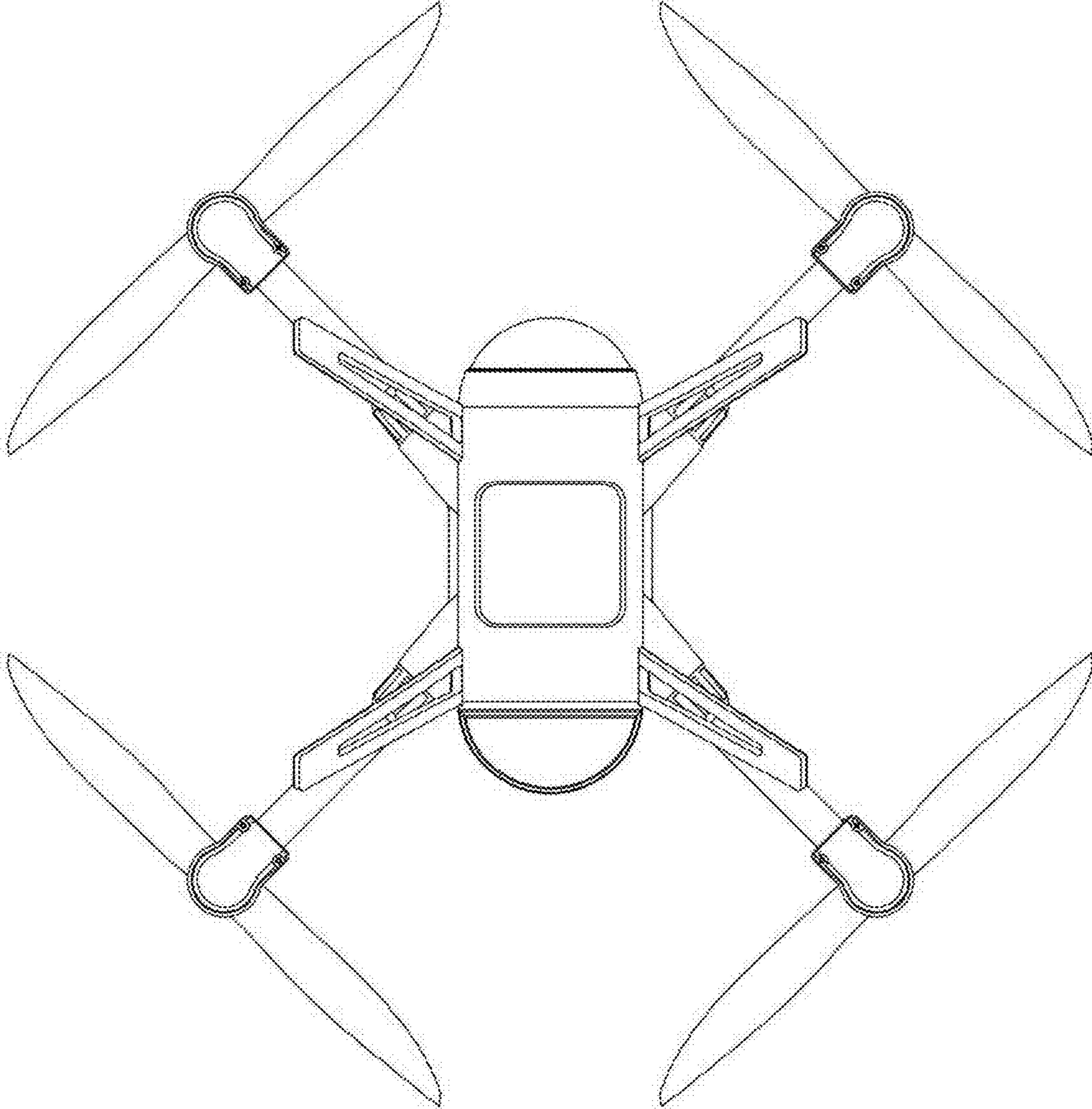


FIG. 7