



US00D828221S

(12) **United States Design Patent** (10) **Patent No.:** **US D828,221 S**  
**Hsu et al.** (45) **Date of Patent:** **\*\* Sep. 11, 2018**

(54) **SLIDER FOR SLIDE FASTENER**  
(71) Applicant: **YKK Corporation**, Tokyo (JP)  
(72) Inventors: **Hsien Hsiang Hsu**, Taipei (TW);  
**Shinya Honda**, Taipei (TW)  
(73) Assignee: **YKK Corporation** (JP)  
(\*\*) Term: **15 Years**

D398,560 S 9/1998 Oda et al.  
D498,434 S \* 11/2004 Iwase ..... D11/221  
D629,333 S 12/2010 Miyazaki et al.  
D643,334 S 8/2011 Iwase et al.  
D646,196 S 10/2011 Yamagishi et al.  
D651,940 S \* 1/2012 Hamada ..... D11/221  
D652,345 S \* 1/2012 Hamada ..... D11/221  
D653,585 S 2/2012 Hamada et al.  
D655,224 S \* 3/2012 Hamada ..... D11/221  
D659,051 S \* 5/2012 Hamada ..... D11/221  
D780,622 S 3/2017 Lin et al.

(21) Appl. No.: **29/616,828**

(22) Filed: **Sep. 8, 2017**

(30) **Foreign Application Priority Data**

Mar. 10, 2017 (CN) ..... 2017 3 0067820

(51) **LOC (11) Cl.** ..... **02-07**

(52) **U.S. Cl.**  
USPC ..... **D11/221**

(58) **Field of Classification Search**  
USPC ..... D11/200, 201, 221; 24/381-383,  
24/385-389, 401, 414-417, 421-422,  
24/426-431, 433, 434; 2/265; D2/641,  
D2/642; 294/3.6; 223/118; D8/33, 34,  
D8/40  
CPC ..... A44B 19/00; A44B 19/02; A44B 19/04;  
A44B 19/10; A44B 19/26; A44B 19/30;  
A44B 19/06; A44B 19/34; A44B 19/40;  
A44B 19/52; A44B 19/38; G02C 3/003;  
A44H 37/06; B29C 45/14573  
See application file for complete search history.

(56) **References Cited**

**U.S. PATENT DOCUMENTS**

4,590,648 A \* 5/1986 Yoshida ..... A44B 19/26  
24/415  
5,007,144 A \* 4/1991 Terada ..... A44B 19/26  
24/415  
D366,230 S \* 1/1996 Aoki ..... D11/221  
D392,217 S 3/1998 Yuki et al.

**OTHER PUBLICATIONS**

U.S. Appl. No. 29/616,818, Notice of Allowance, May 22, 2018, 8 Pages.

\* cited by examiner

*Primary Examiner* — Ralf T Seifert

(74) *Attorney, Agent, or Firm* — Kilpatrick Townsend & Stockton LLP

(57) **CLAIM**

The ornamental design for a slider for slide fastener, as shown and described.

**DESCRIPTION**

FIG. 1 is a perspective view of the front, top and right side of a slider for slide fastener, showing our new design; FIG. 2 is a front view thereof; FIG. 3 is a rear view thereof; FIG. 4 is a right side view thereof, the left side view being essentially mirror image thereof; FIG. 5 is a top plan view thereof; and, FIG. 6 is a bottom view thereof.

The broken lines shown are included for the purpose of illustrating the unclaimed portions of a slider for slide fastener and form no part of the claimed design. The dot-dash lines define the bounds of the claimed design and form no part thereof.

**1 Claim, 5 Drawing Sheets**

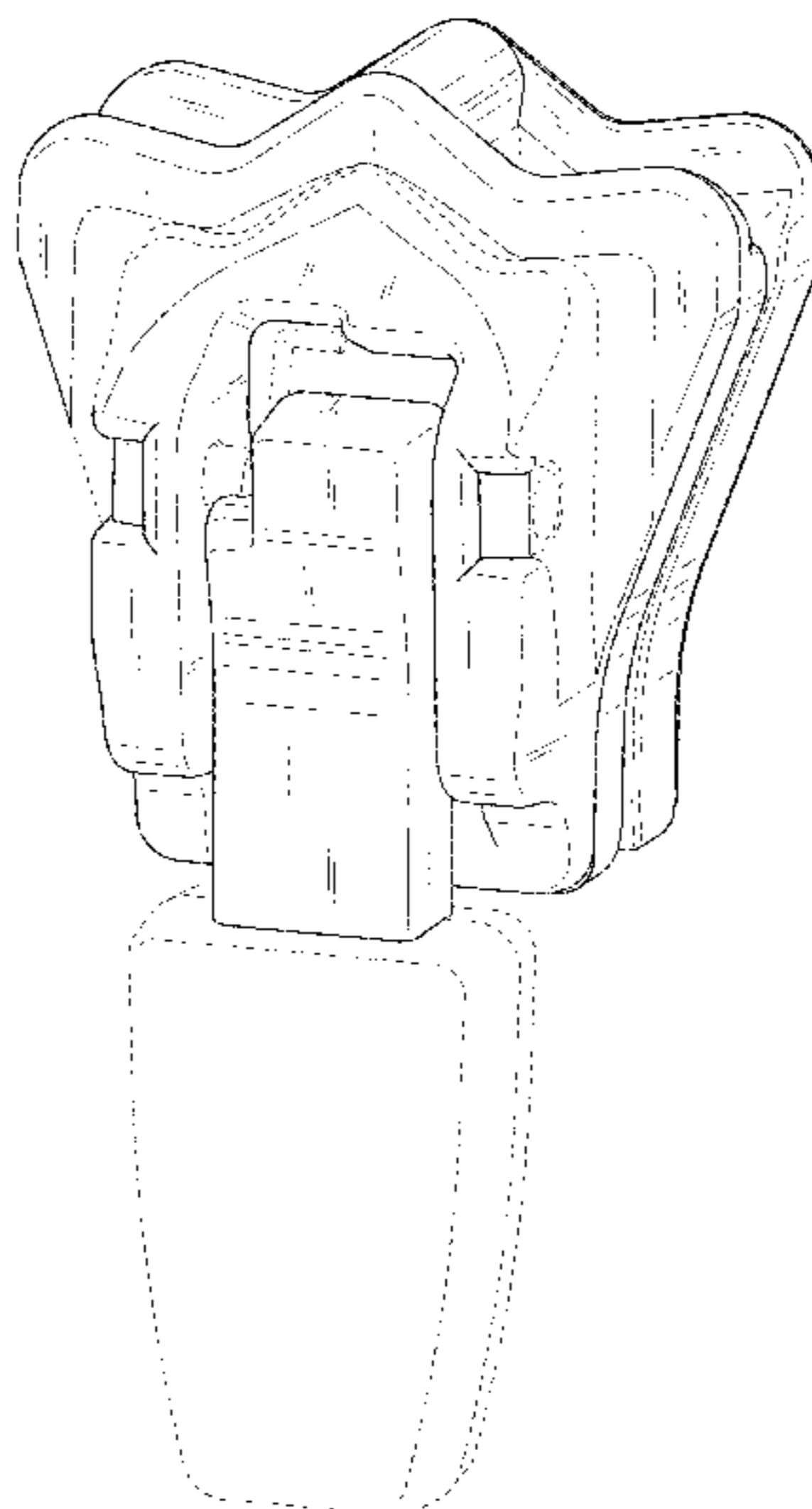


Fig. 1

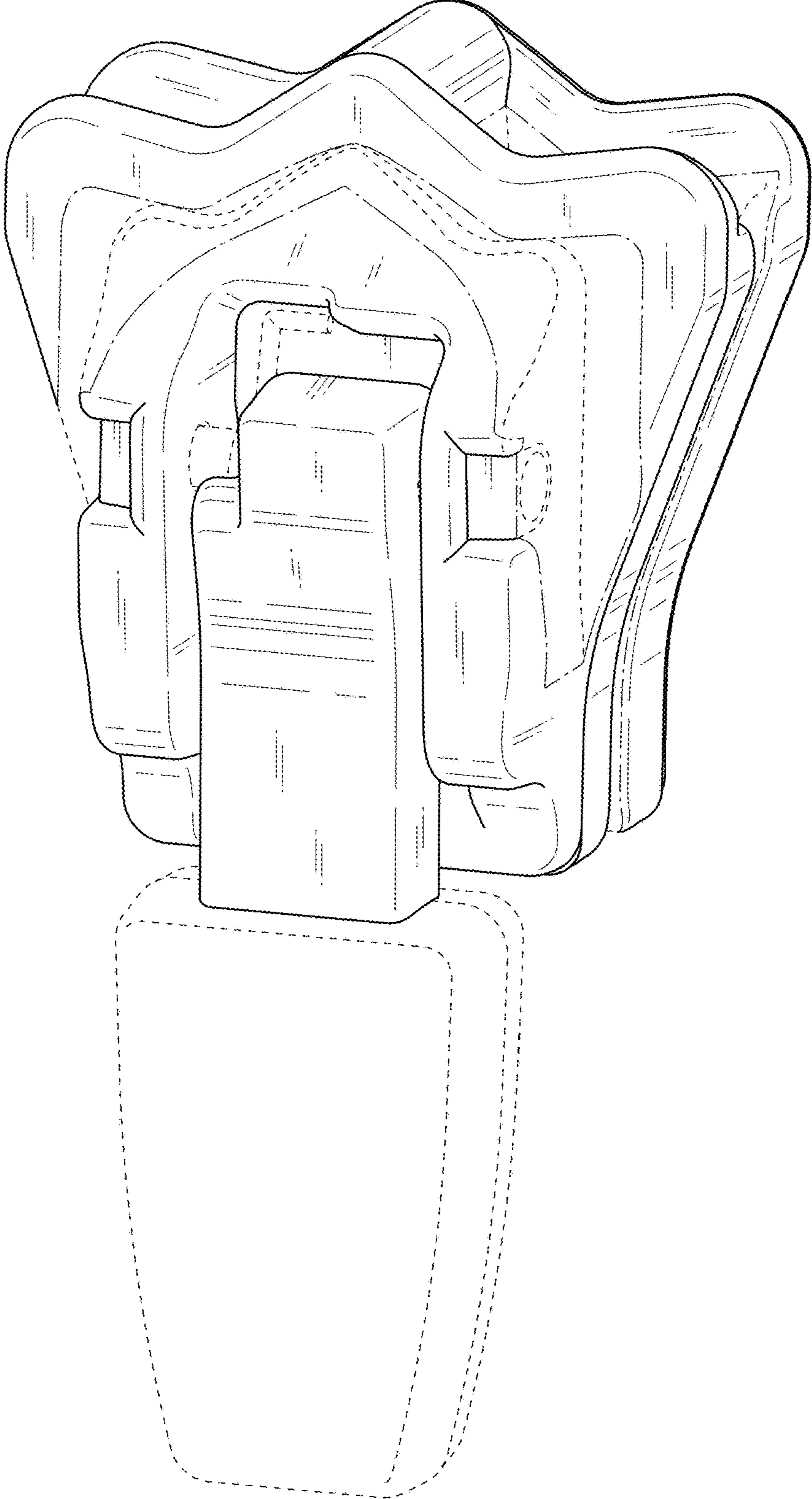


Fig. 2

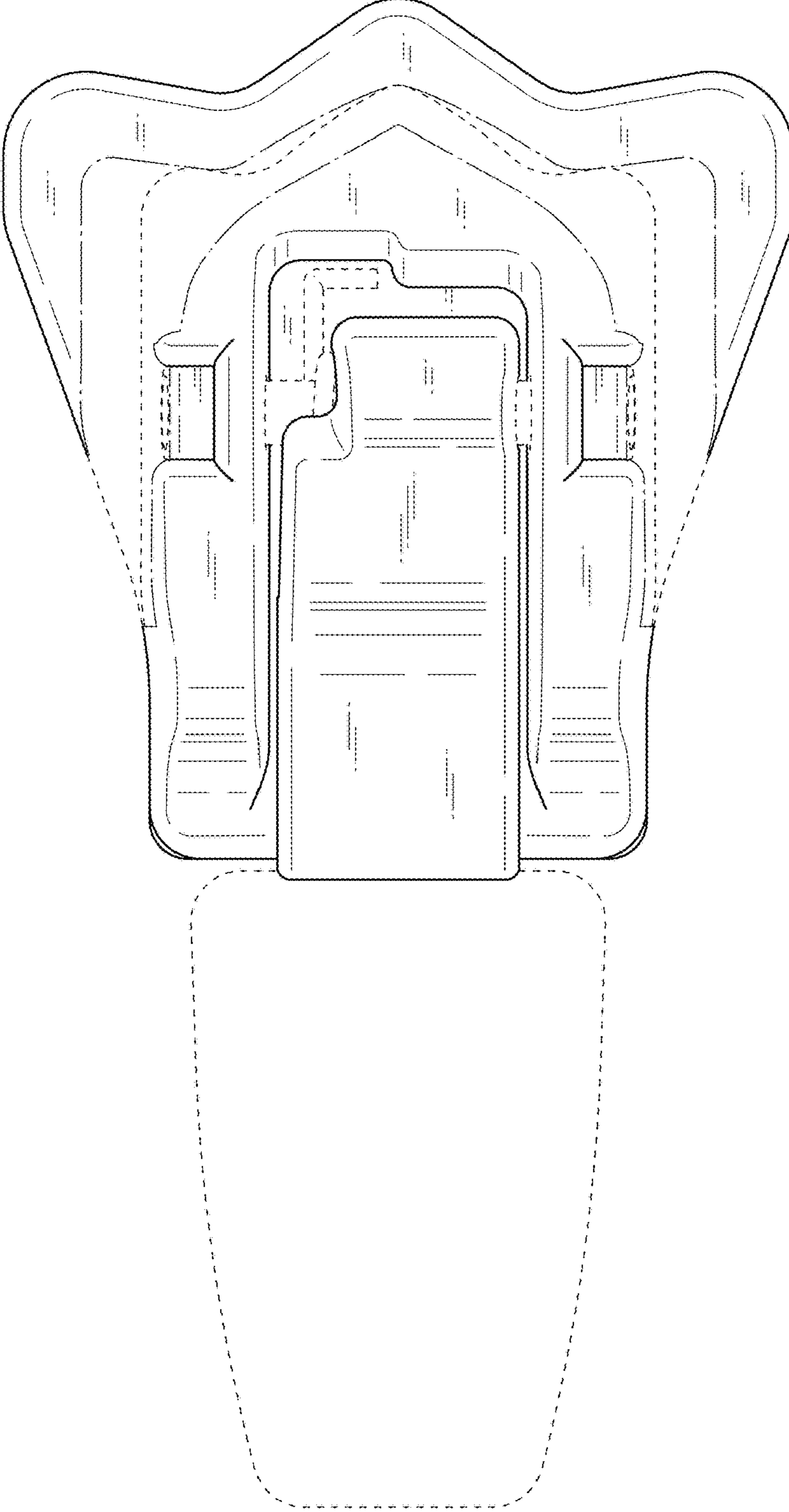


Fig. 3

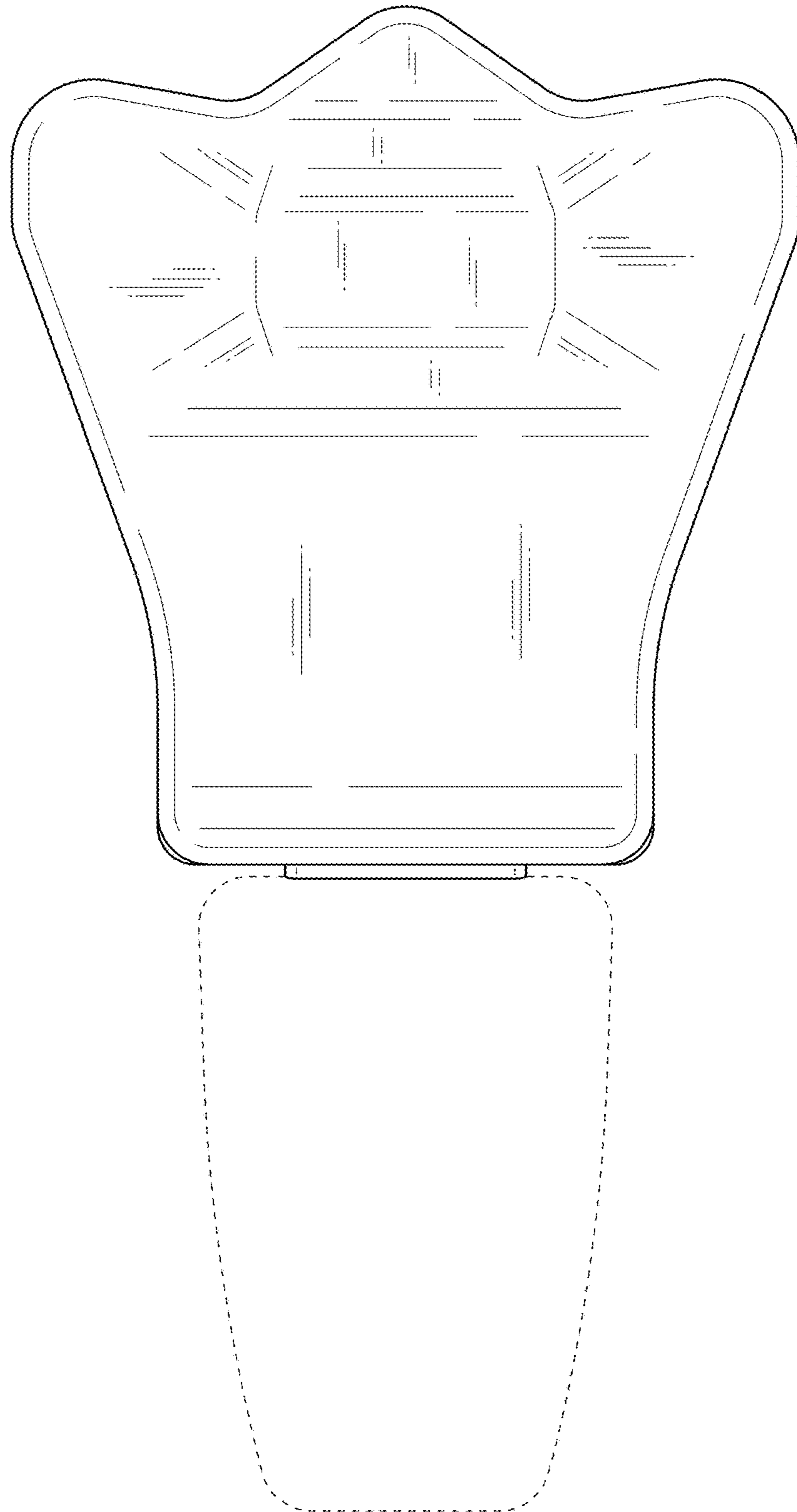


Fig. 4

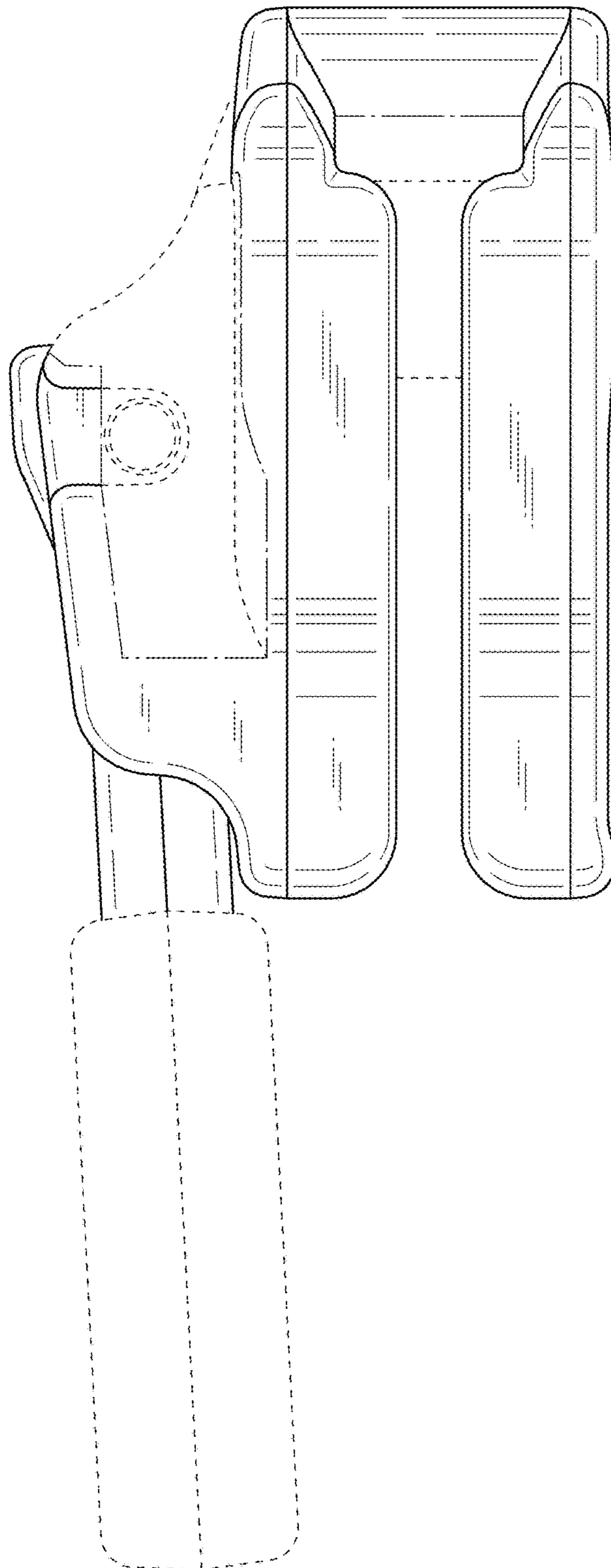


Fig. 5

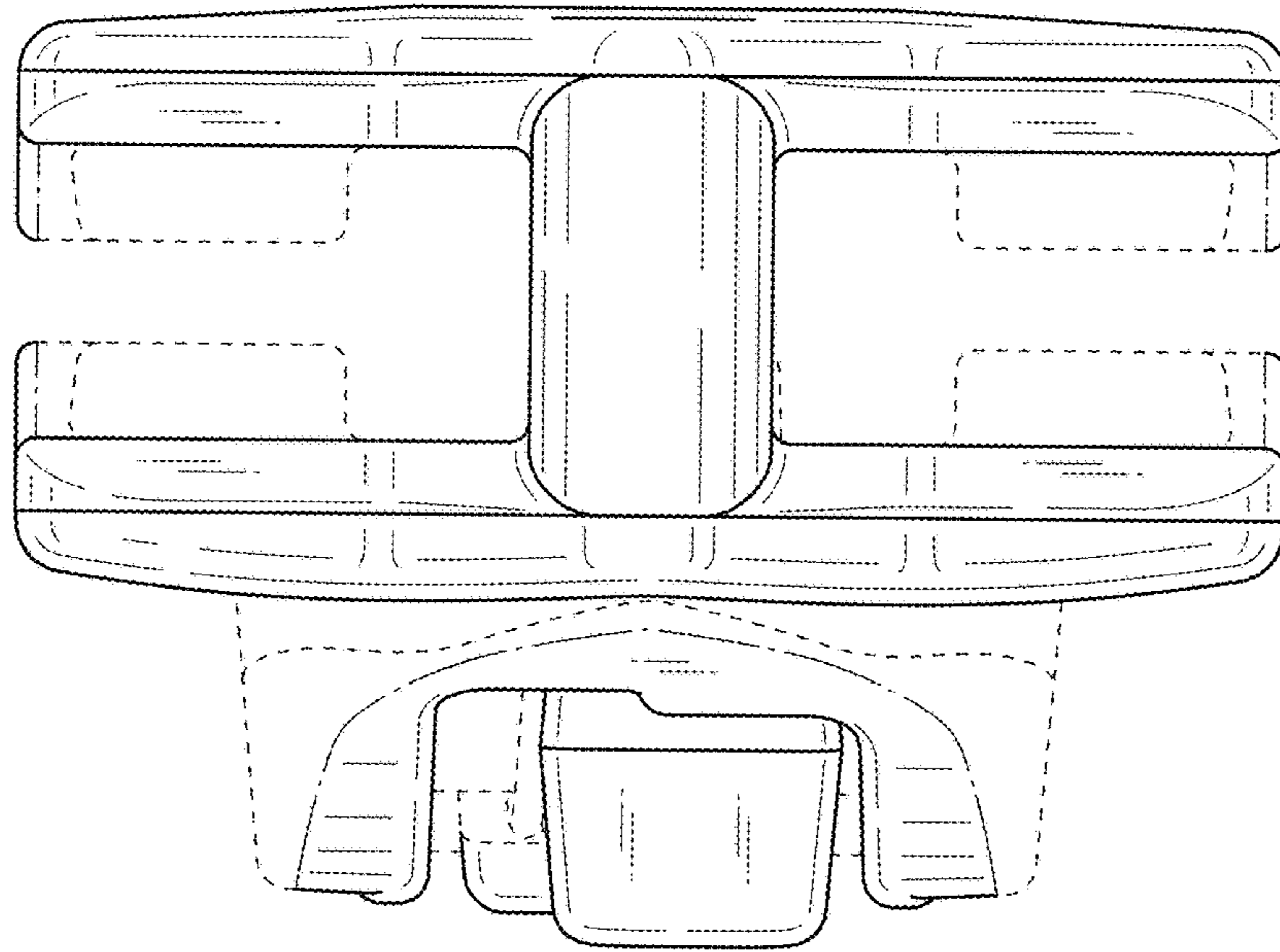


Fig. 6

