



US00D828220S

(12) **United States Design Patent** (10) **Patent No.:** **US D828,220 S**
Hsu et al. (45) **Date of Patent:** **** Sep. 11, 2018**

(54) **SLIDER FOR SLIDE FASTENER**

(71) Applicant: **YKK Corporation**, Tokyo (JP)

(72) Inventors: **Hsien Hsiang Hsu**, Taipei (TW);
Shinya Honda, Taipei (TW)

(73) Assignee: **YKK Corporation** (JP)

(**) Term: **15 Years**

(21) Appl. No.: **29/616,818**

(22) Filed: **Sep. 8, 2017**

(30) **Foreign Application Priority Data**

Mar. 10, 2017 (CN) 2017 3 0067820

(51) **LOC (11) Cl.** **02-07**

(52) **U.S. Cl.**
USPC **D11/221**

(58) **Field of Classification Search**
USPC D11/200, 201, 221; 24/381–383,
24/385–389, 401, 414–417, 421–422,
24/427–431, 433, 434; 2/265; D2/641,
D2/642; 294/3.6; 223/118; D8/33, 34,
D8/40

CPC A44B 19/00; A44B 19/02; A44B 19/04;
A44B 19/10; A44B 19/26; A44B 19/30;
A44B 19/06; A44B 19/34; A44B 19/40;
A44B 19/52; A44B 19/38; G02C 3/003;
A44H 37/06; B29C 45/14573

See application file for complete search history.

(56) **References Cited**

U.S. PATENT DOCUMENTS

4,590,648 A	5/1986	Yoshida et al.	
5,007,144 A	4/1991	Terada et al.	
D366,230 S	1/1996	Aoki	
D392,217 S *	3/1998	Yuki	D11/221
D398,560 S *	9/1998	Oda	D11/221

D498,434 S	11/2004	Iwase	
D629,333 S *	12/2010	Miyazaki	D11/221
D643,334 S *	8/2011	Iwase	D11/221
D646,196 S *	10/2011	Yamagishi	D11/221
D651,940 S	1/2012	Hamada et al.	
D652,345 S	1/2012	Hamada et al.	
D653,585 S *	2/2012	Hamada	D11/221
D655,224 S	3/2012	Hamada et al.	
D659,051 S	5/2012	Hamada et al.	
D780,622 S *	3/2017	Lin	D11/221

OTHER PUBLICATIONS

U.S. Appl. No. 29/616,828, Notice of Allowance, dated May 22, 2018, 8 Pages.

* cited by examiner

Primary Examiner — Ralf Seifert

(74) *Attorney, Agent, or Firm* — Kilpatrick Townsend & Stockton LLP

(57) **CLAIM**

The ornamental design for a slider for slide fastener, as shown and described.

DESCRIPTION

FIG. 1 is a perspective view of the front, top and right side of a slider for slide fastener, showing our new design; FIG. 2 is a front view thereof; FIG. 3 is a rear view thereof; FIG. 4 is a right side view thereof, the left side view being essentially mirror image thereof; FIG. 5 is a top plan view thereof; and, FIG. 6 is a bottom view thereof.

The broken lines shown are included for the purpose of illustrating the unclaimed portions of a slider for slide fastener and form no part of the claimed design. The dot-dash lines define the bounds of the claimed design and form no part thereof.

1 Claim, 5 Drawing Sheets

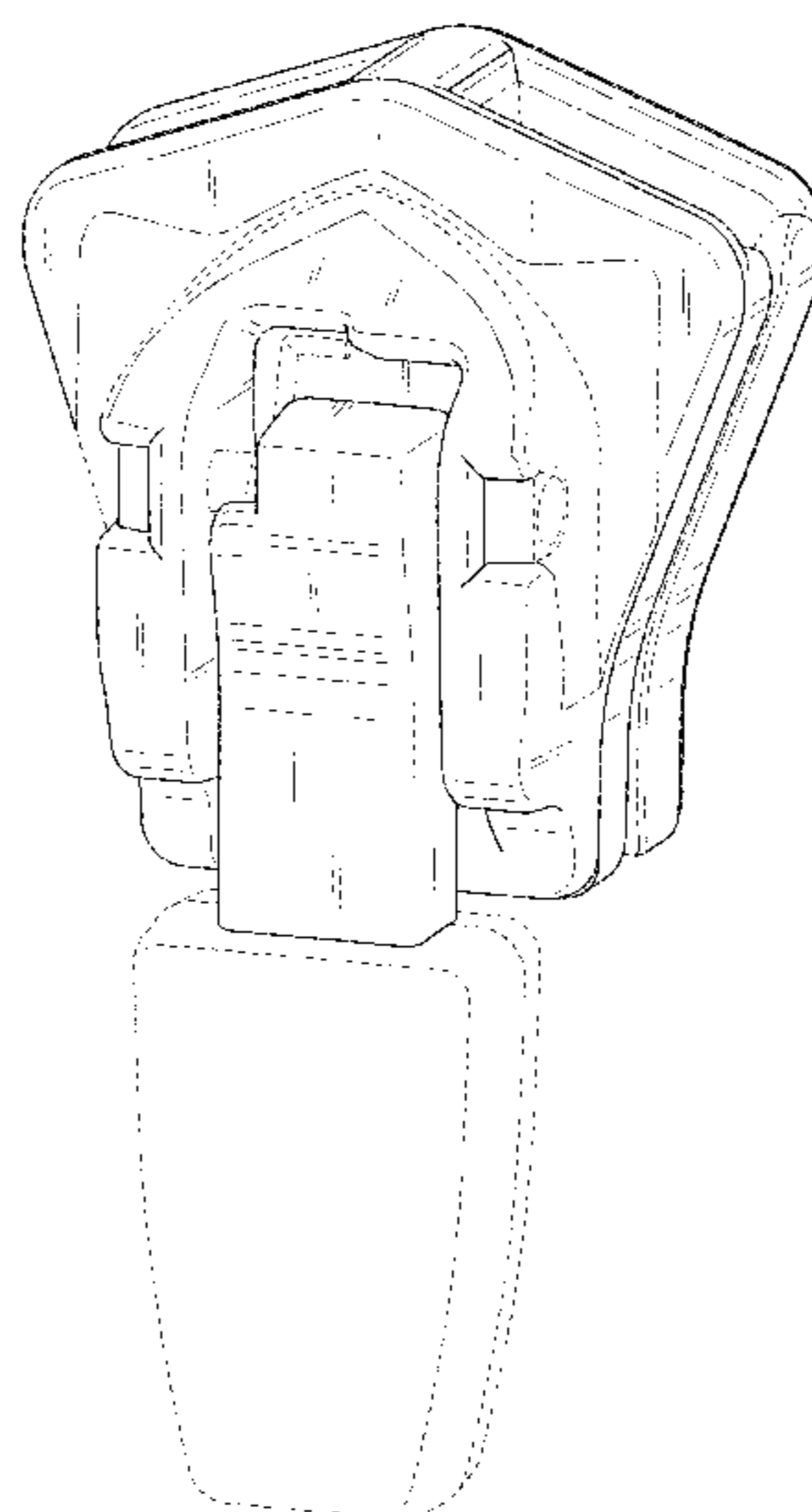


Fig. 1

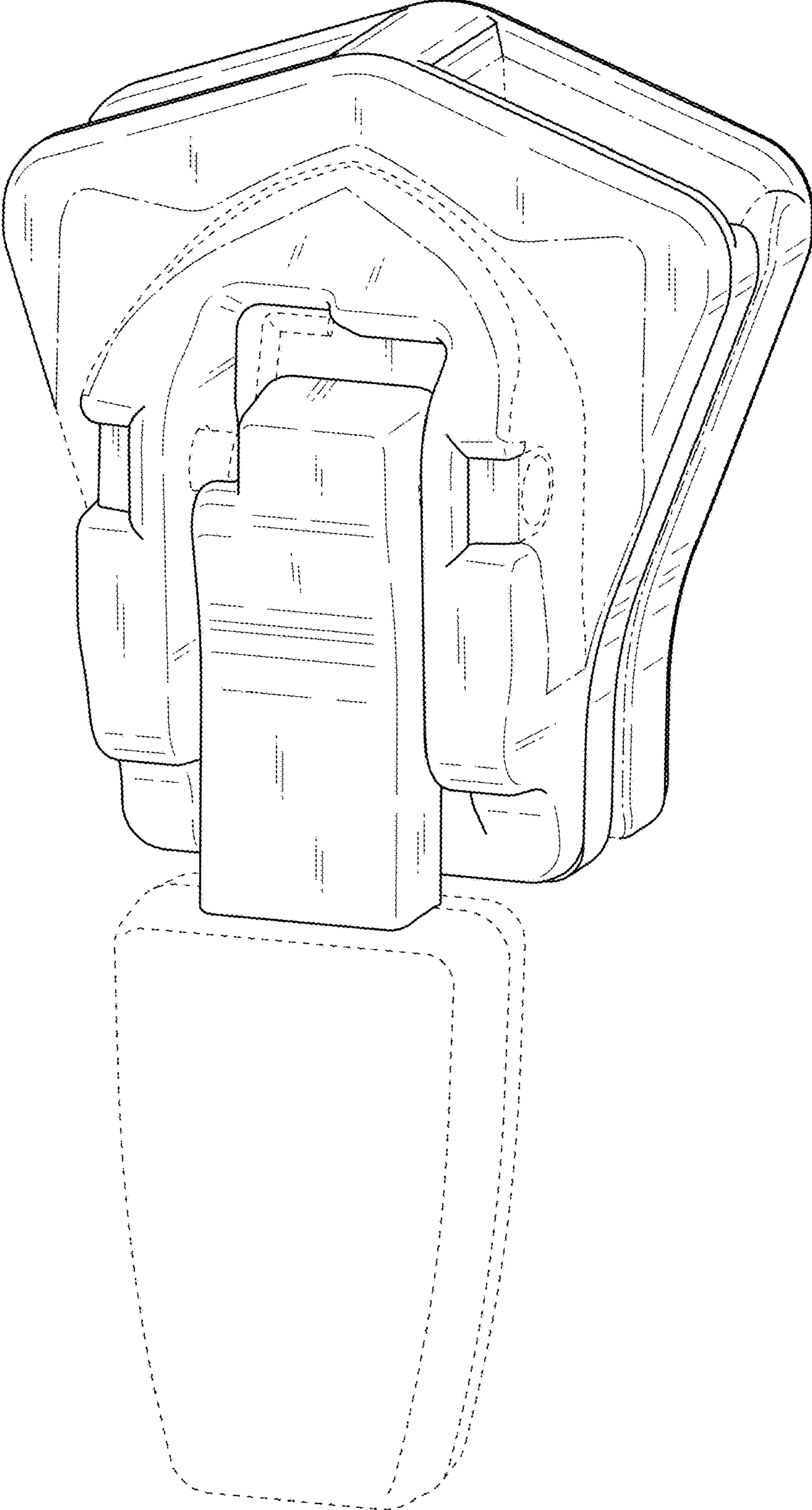


Fig. 2

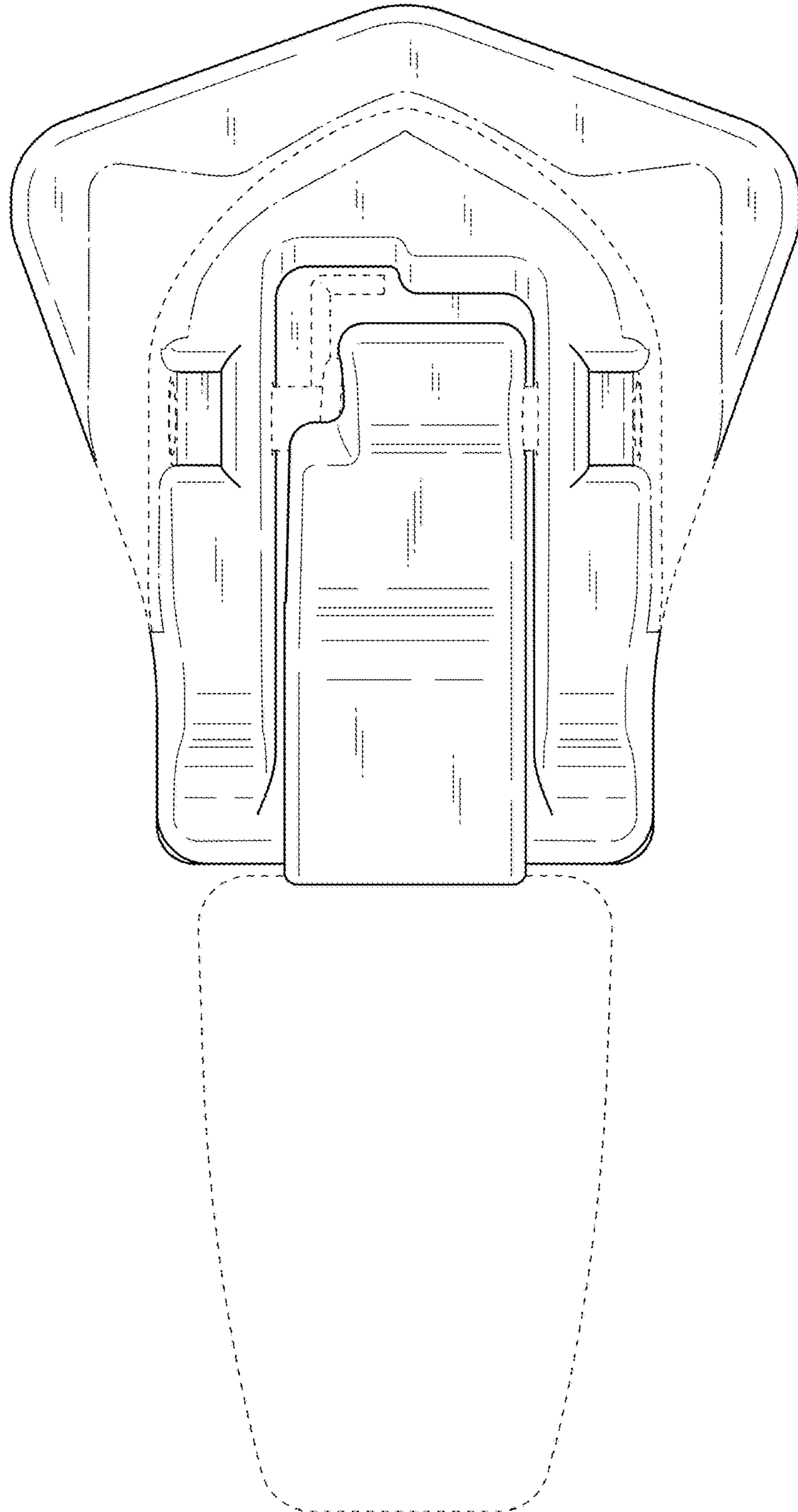


Fig. 3

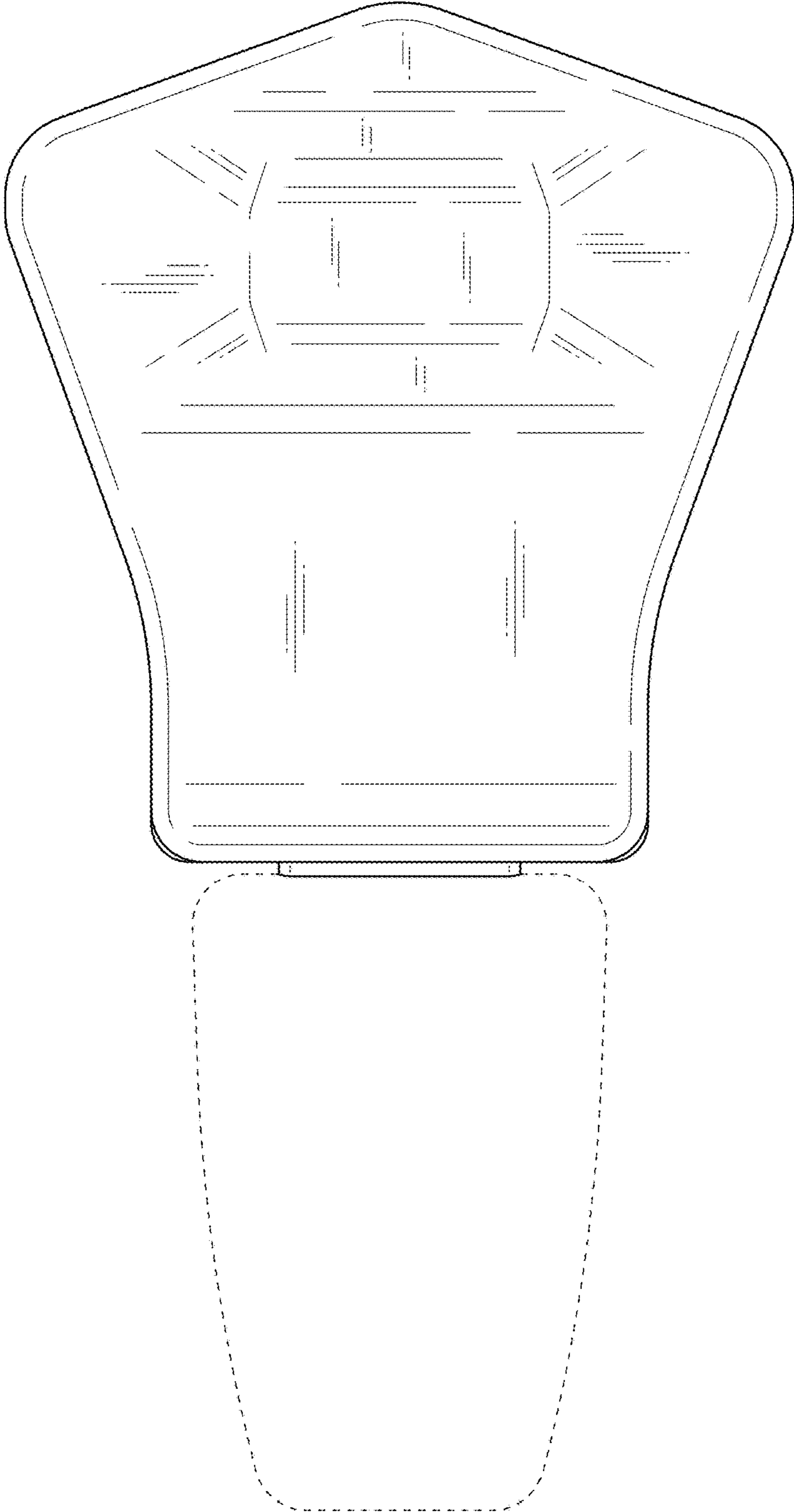


Fig. 4

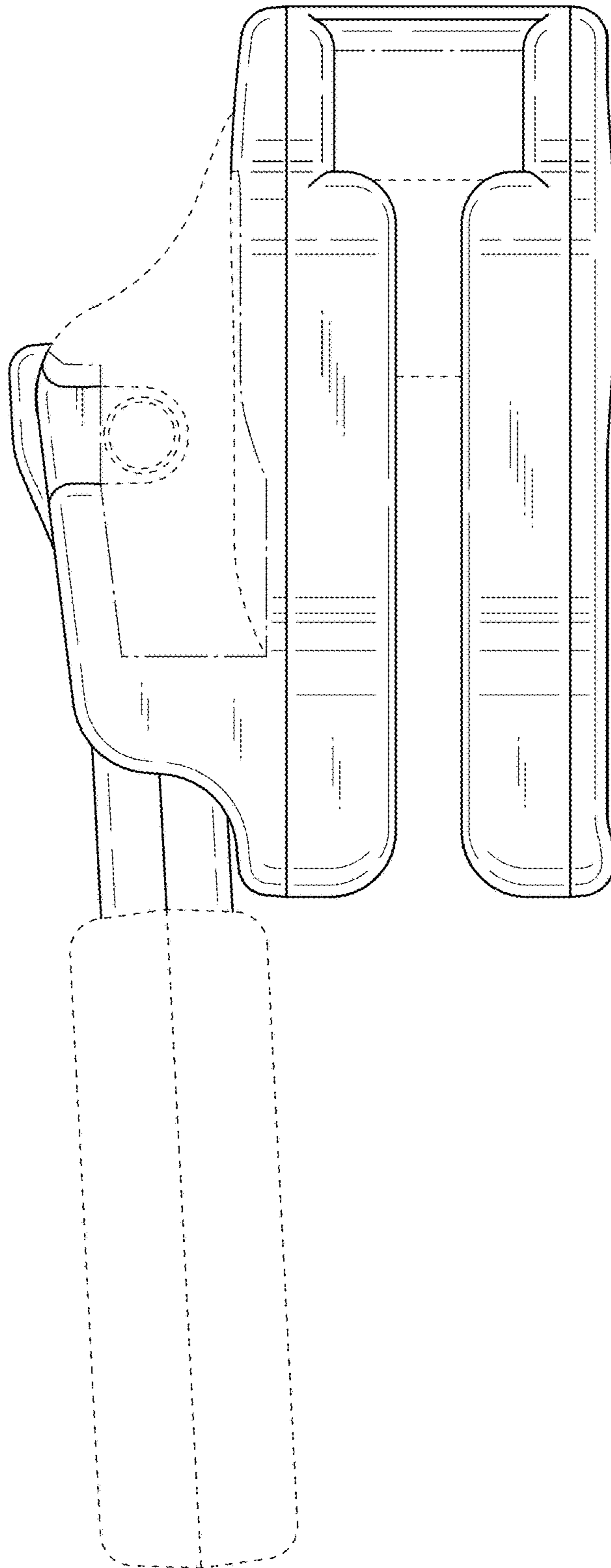


Fig. 5

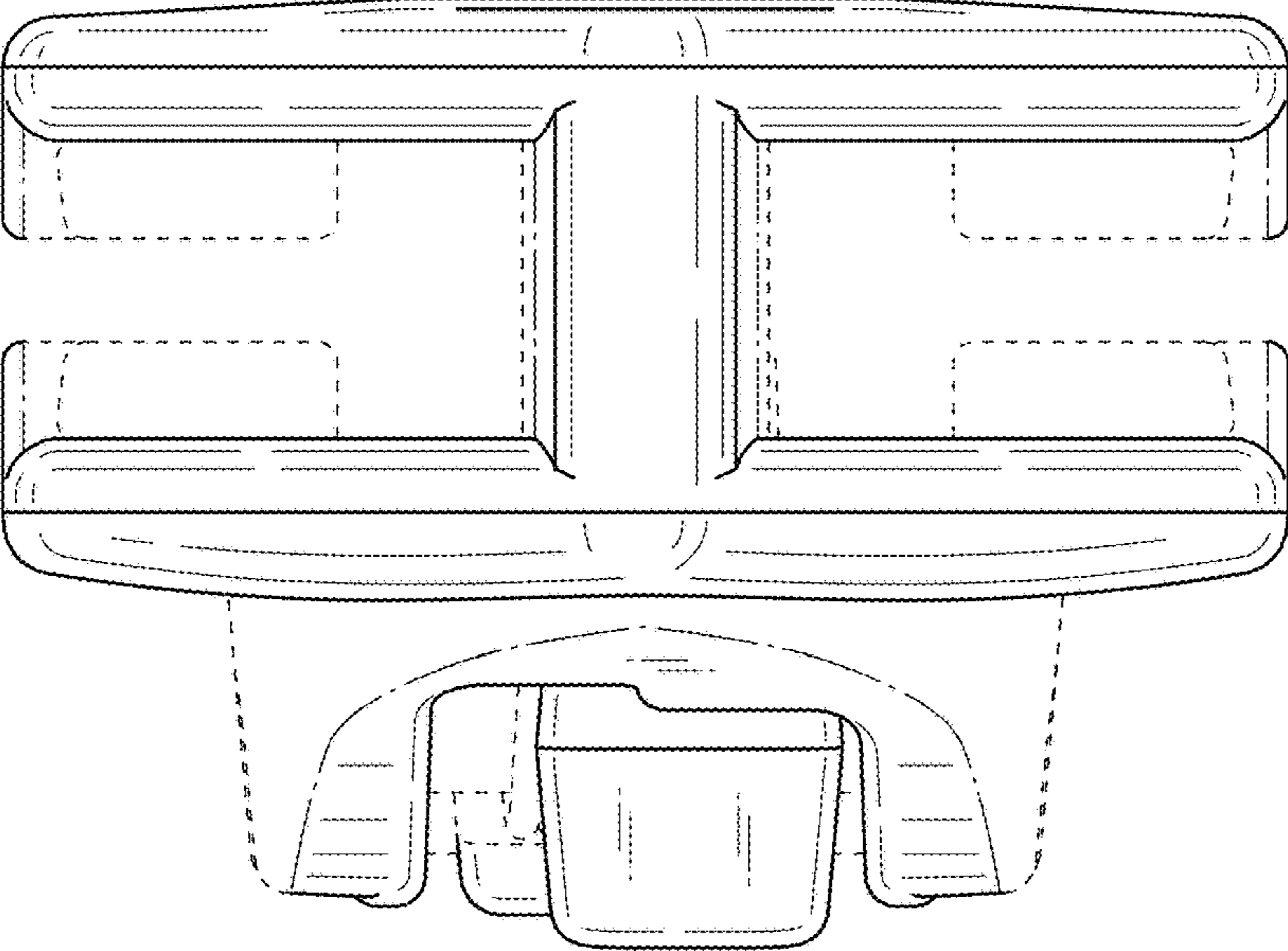


Fig. 6

