



US00D828214S

(12) **United States Design Patent** (10) **Patent No.:** **US D828,214 S**
Galli (45) **Date of Patent:** **** Sep. 11, 2018**

(54) **PENDANT**
(71) Applicant: **HARRY WINSTON SA,**
Plan-les-Ouates (CH)
(72) Inventor: **Maurice Galli,** Plan-les-Ouates (CH)
(73) Assignee: **Harry Winston SA,** Plan-les-Ouates
(CH)
(**) Term: **15 Years**
(21) Appl. No.: **29/616,943**
(22) Filed: **Sep. 11, 2017**

D126,271 S * 4/1941 Philippe D11/10
D130,313 S * 11/1941 Schraysshuen D11/67
D130,851 S * 12/1941 Rose D11/9
D133,373 S * 8/1942 Meyer D11/67
D133,965 S * 9/1942 Raimond D11/14
D148,849 S * 3/1948 Glass D11/67
D150,443 S * 8/1948 Philippe D11/40
D150,918 S * 9/1948 Bernecker D11/67
D151,832 S * 11/1948 Katz D11/63
D152,337 S * 1/1949 Hobe D11/10
D157,167 S * 2/1950 Katz D11/40
D176,674 S * 1/1956 Katz D11/45
D248,286 S * 6/1978 Barr D11/33
D494,883 S * 8/2004 Pachachi D11/33

(Continued)

(30) **Foreign Application Priority Data**
Mar. 10, 2017 (WO) DM/095 276
(51) **LOC (11) Cl.** **11-01**
(52) **U.S. Cl.**
USPC **D11/84**
(58) **Field of Classification Search**
USPC D11/1, 2, 40-44, 79-86, 70, 49, 50, 53,
D11/57, 66, 67, 75, 76, 77, 95, 97, 98,
D11/99, 100, 101, 105, 106, 121, 125,
D11/127, 128, 91, 92, 7, 8
CPC .. A44C 1/00; A44C 3/00; A44C 3/001; A44C
3/002; A44C 3/004; A44C 3/005; A44C
3/007; A44C 3/008; A44C 7/00; A44C
7/001; A44C 7/002; A44C 7/003; A44C
7/004; A44C 21/00; A44C 23/00; A44C
25/00; A44C 25/001; A44C 25/002; A44C
25/004; A44C 25/005; A44C 25/007;
A44C 25/008; A44C 17/02; A44C
17/0208
See application file for complete search history.

(56) **References Cited**
U.S. PATENT DOCUMENTS
D120,573 S * 5/1940 Philippe D11/67
D121,224 S * 6/1940 Philippe D11/6

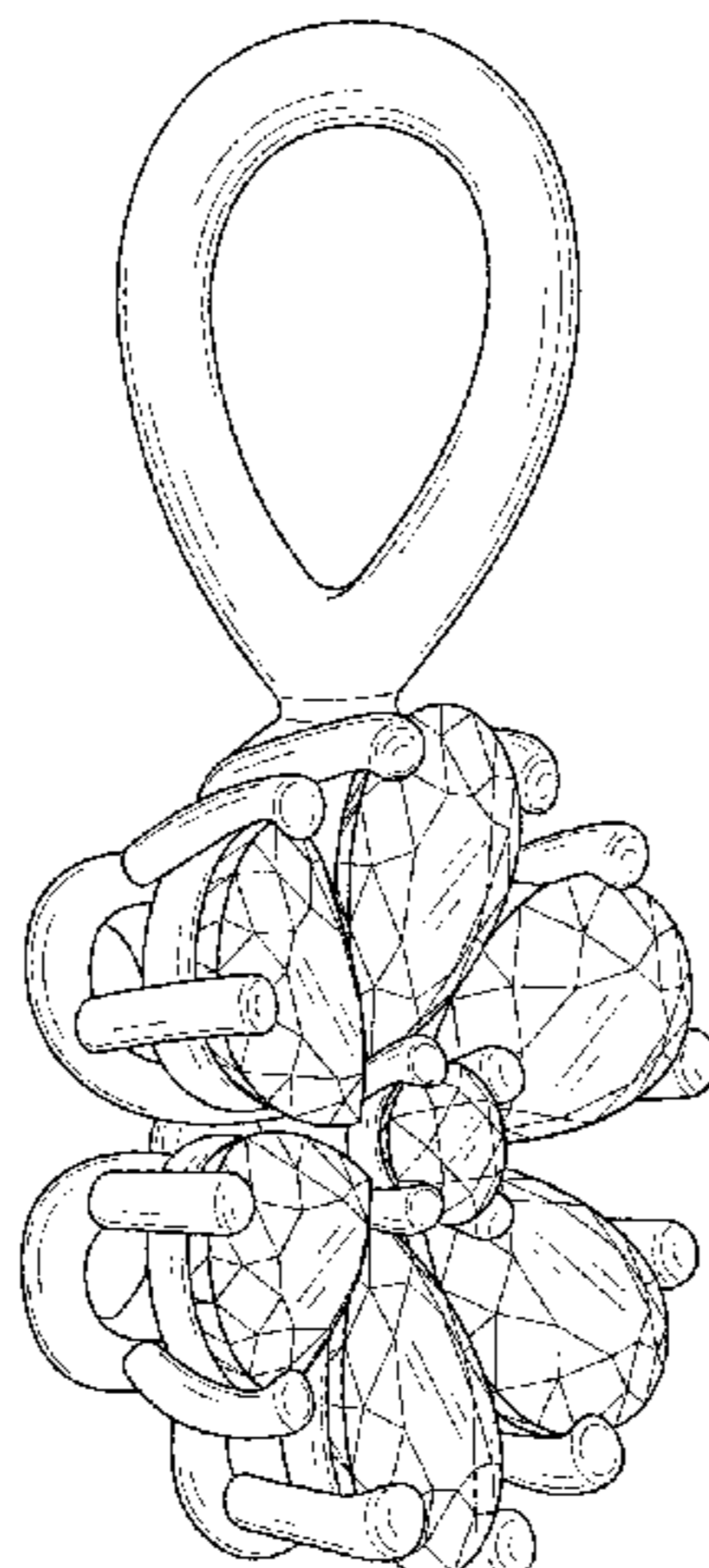
OTHER PUBLICATIONS
[Online] <http://www.harrywinston.com/en/forget-me-not-harry-winston-diamond-charm>. Retrieved May 11, 2018.*
(Continued)

Primary Examiner — Melanie Sue Pellegrini
(74) *Attorney, Agent, or Firm* — Blank Rome LLP

(57) **CLAIM**
The ornamental design for a pendant, as shown.

DESCRIPTION
FIG. 1 is a front left perspective view of a pendant showing his new design;
FIG. 2 is a front view thereof;
FIG. 3 is a rear view thereof;
FIG. 4 is a left side view thereof;
FIG. 5 is a right side view thereof;
FIG. 6 is a top view thereof;
FIG. 7 is a bottom view thereof; and,
FIG. 8 is a rear right perspective view thereof.

1 Claim, 5 Drawing Sheets



(56)

References Cited

U.S. PATENT DOCUMENTS

D616,784 S *	6/2010	Castaline	D11/67
D622,173 S *	8/2010	Blad	D11/40
D640,950 S *	7/2011	Zuiderveld	D11/84
D689,786 S *	9/2013	Flores	D11/3
D702,588 S *	4/2014	Pasquetti	D11/84
D702,589 S *	4/2014	Pasquetti	D11/63
D713,754 S *	9/2014	Pasquetti	D11/33
D780,024 S *	2/2017	Yatsugi-Kang	D11/34
D780,055 S *	2/2017	Yatsugi-Kang	D11/84
D780,056 S *	2/2017	Yatsugi-Kang	D11/84

OTHER PUBLICATIONS

[Online] <https://www.barneys.com/product/jennifer-meyer-white-diamond-flower-charm-necklace-504530607.html>. Retrieved May 11, 2018.*

* cited by examiner

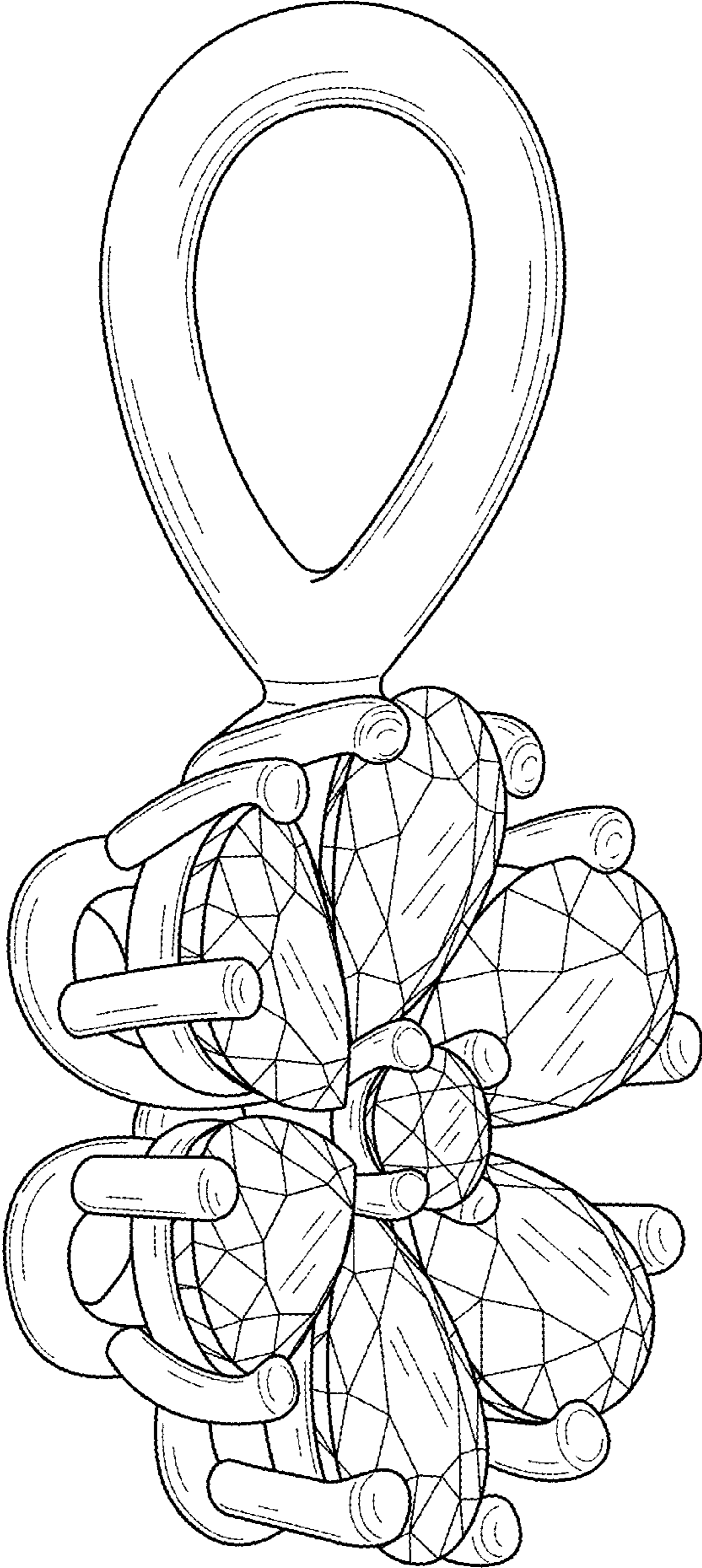


FIG. 1

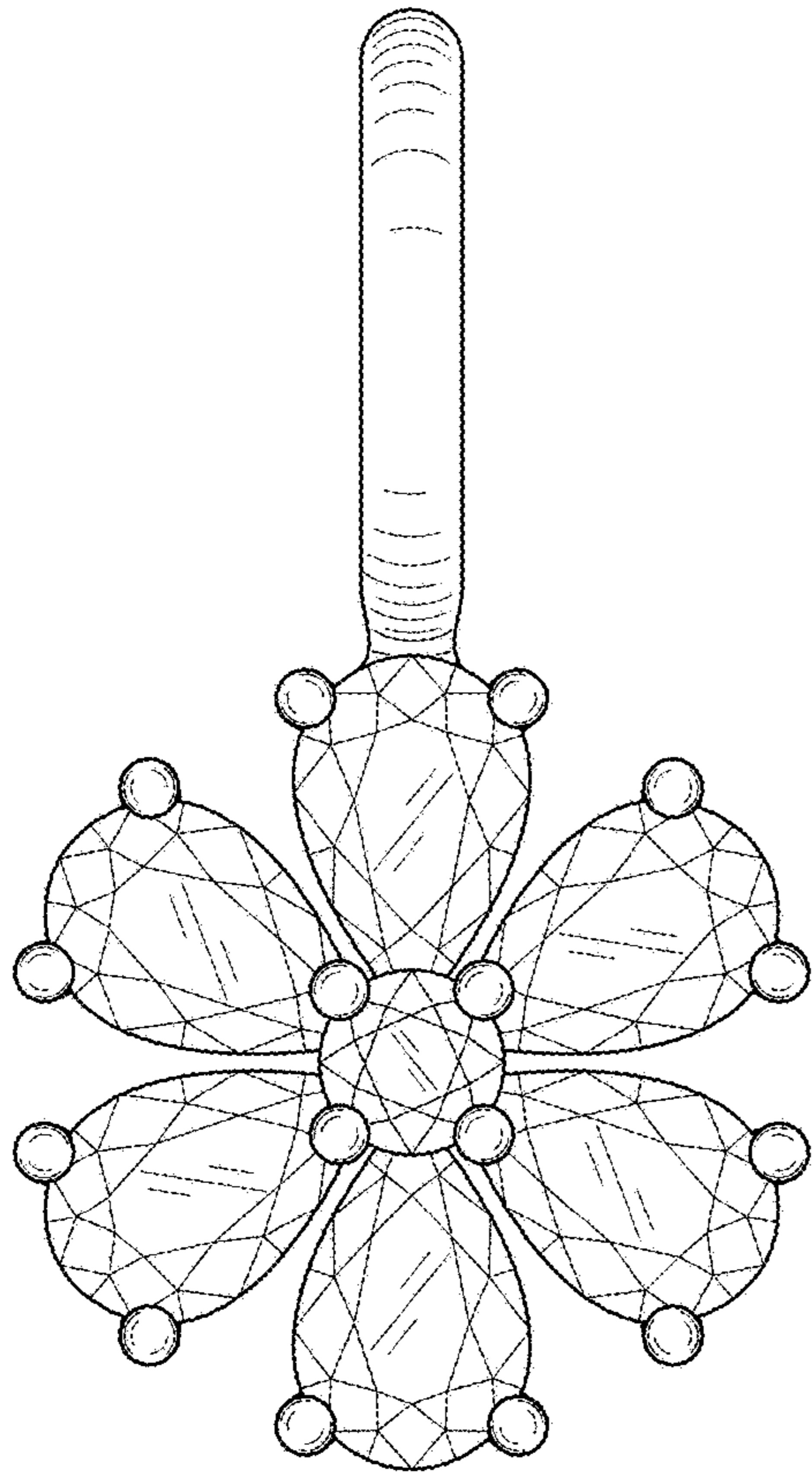


FIG. 2

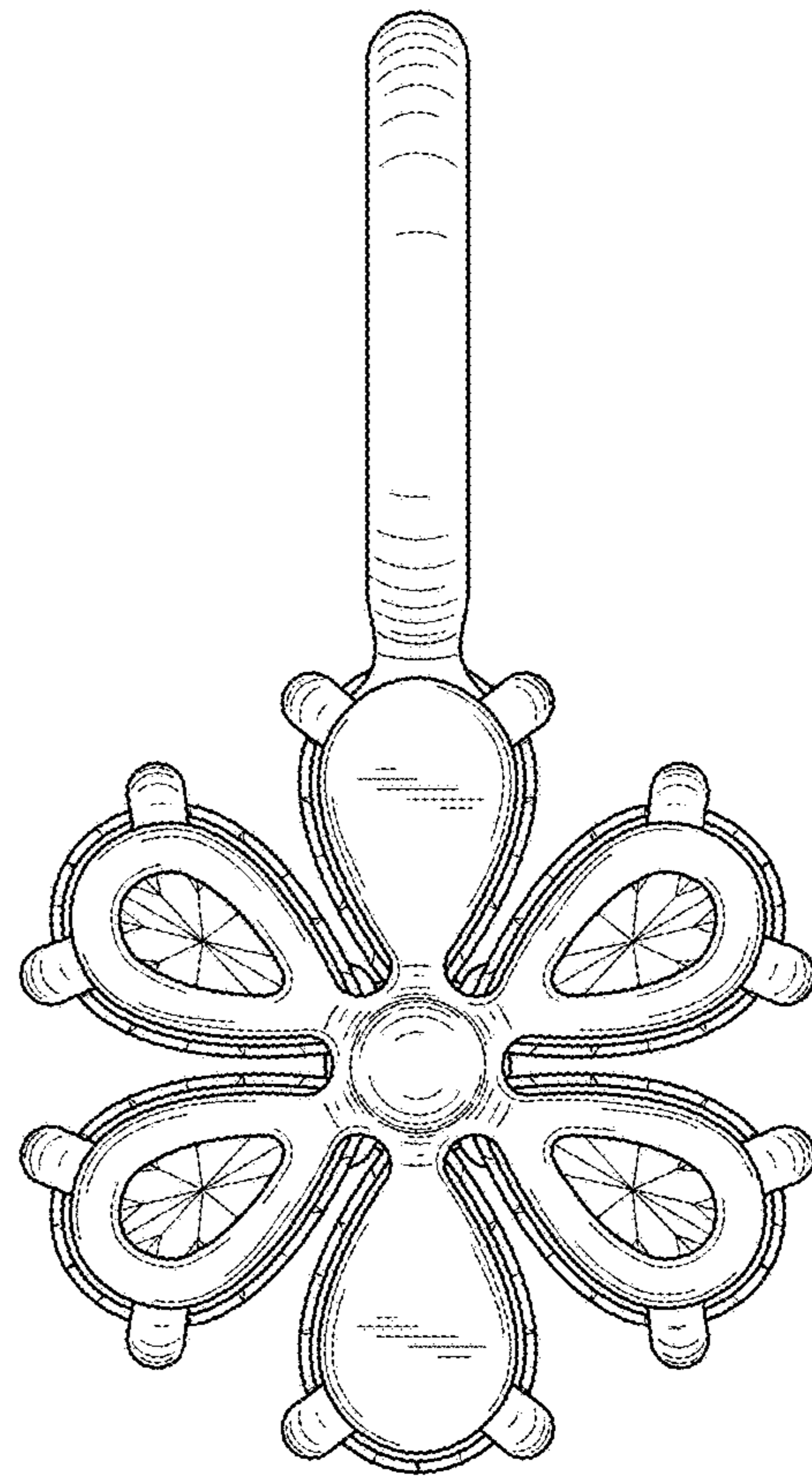


FIG. 3

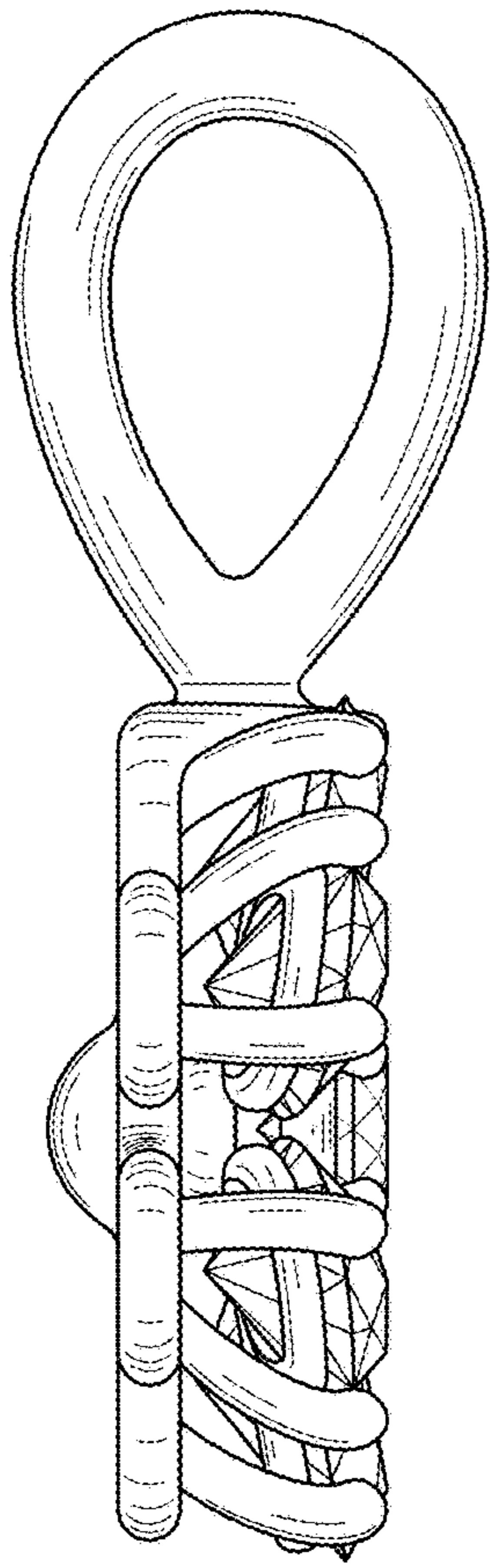


FIG. 4

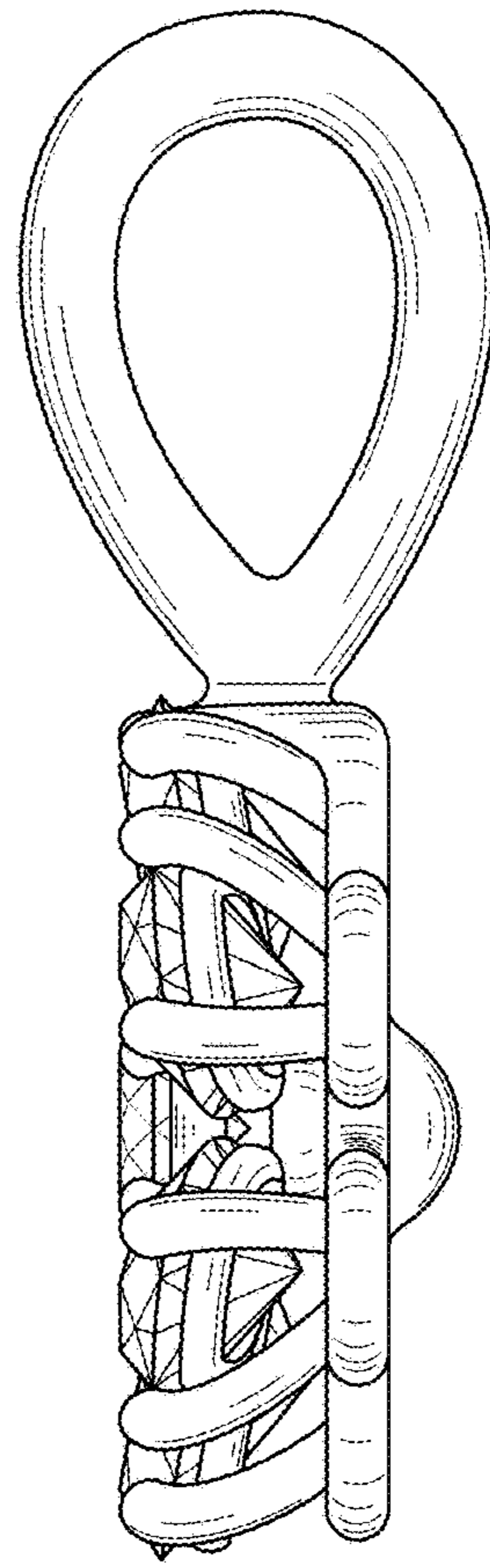


FIG. 5

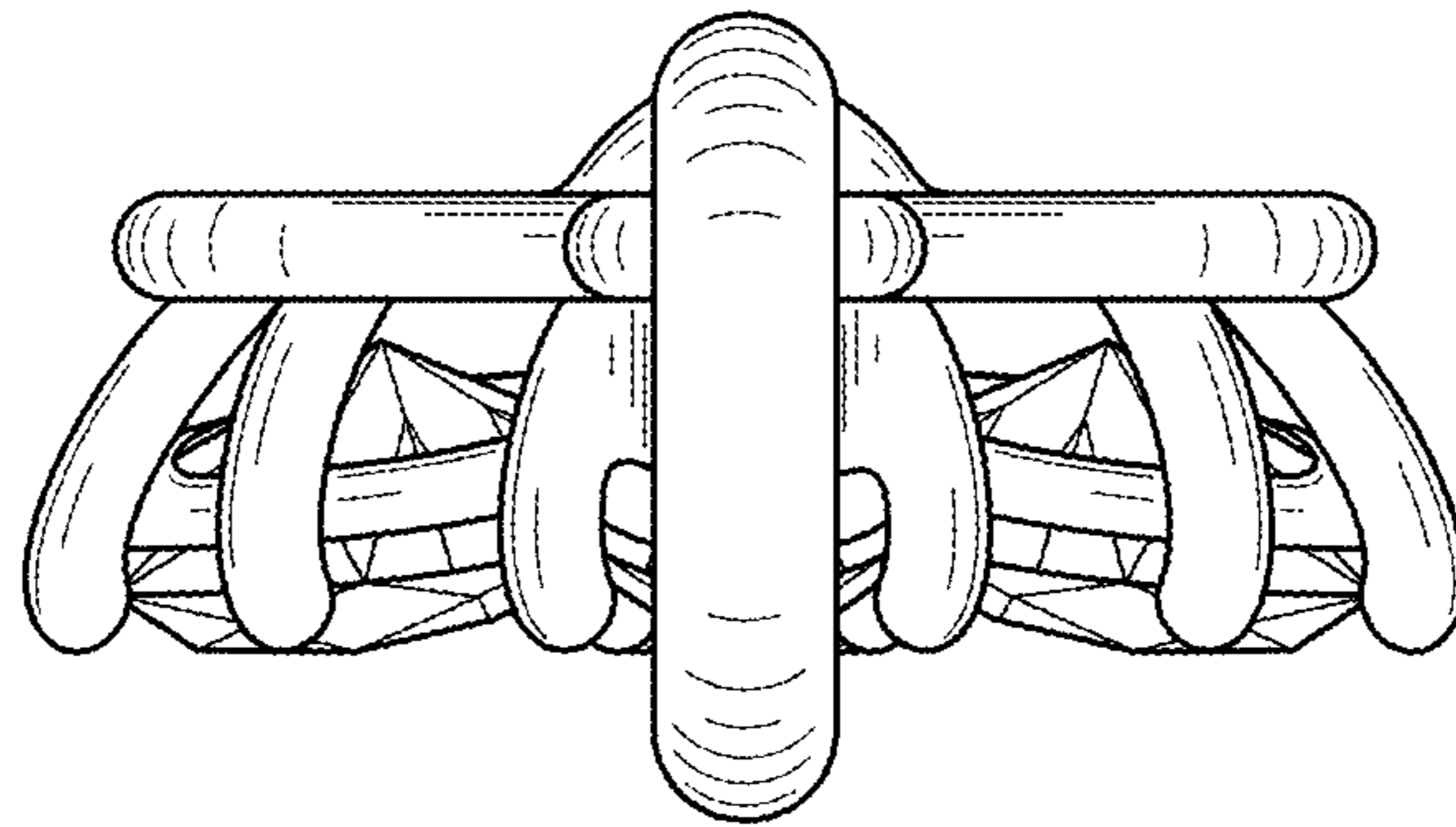


FIG. 6

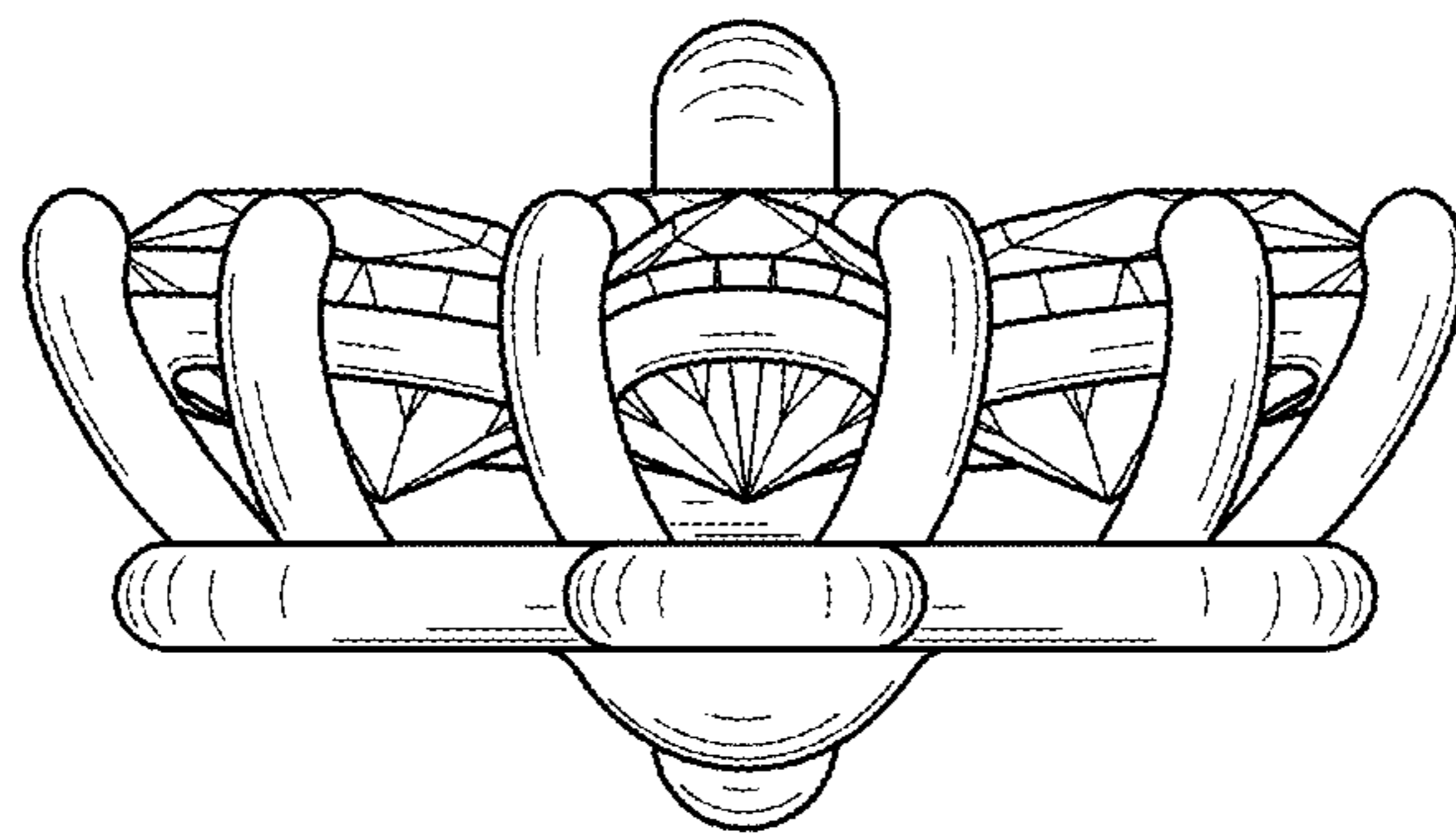


FIG. 7

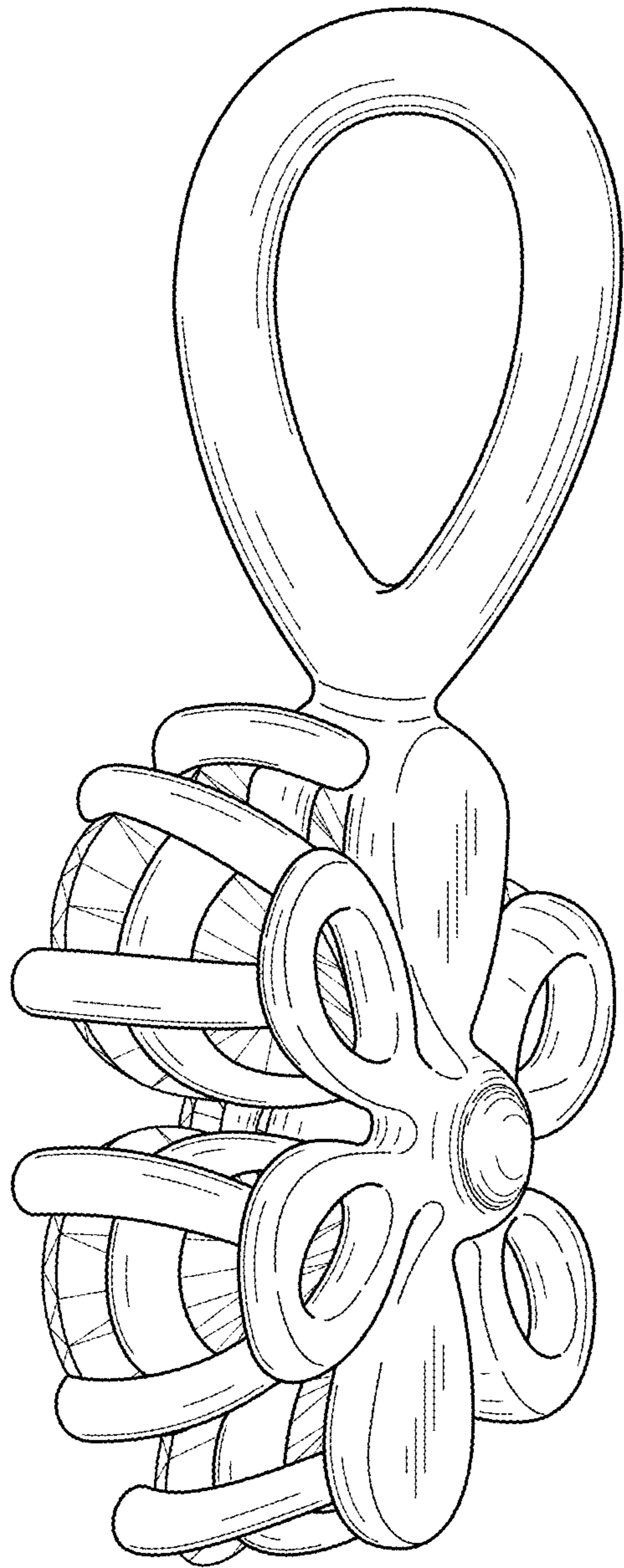


FIG. 8