



US00D828213S

(12) **United States Design Patent**
Kohl

(10) **Patent No.:** **US D828,213 S**

(45) **Date of Patent:** **** Sep. 11, 2018**

(54) **PENDANT**

(71) Applicant: **Takohl Design Ltd.**, Chicago, IL (US)

(72) Inventor: **Tammy A. Kohl**, Chicago, IL (US)

(73) Assignee: **Takohl Design Ltd.**, Chicago, IL (US)

(**) Term: **15 Years**

(21) Appl. No.: **29/559,675**

(22) Filed: **Mar. 30, 2016**

(51) **LOC (11) Cl.** **11-01**

(52) **U.S. Cl.**
USPC **D11/80**

(58) **Field of Classification Search**

USPC D11/1, 2, 7, 8, 40-54, 79-86, 90, 91, 92,
D11/93, 56, 97, 98, 99, 34, 106, 139, 63,
D11/67, 66

CPC .. A44C 1/00; A44C 3/00; A44C 3/003; A44C
3/004; A44C 3/007; A44C 3/008; A44C
5/02; A44C 7/002; A44C 25/00; A44C
25/001; A44C 25/002; A44C 25/004;
A44C 25/005; A44C 25/007

See application file for complete search history.

(56) **References Cited**

U.S. PATENT DOCUMENTS

D203,737 S *	2/1966	Friedman	D11/79
D236,368 S *	8/1975	Jacobsen	D11/80
D282,353 S *	1/1986	Wong	D11/50
D311,504 S *	10/1990	De Frahan	D11/79
D341,333 S *	11/1993	Prout	D11/80
5,609,043 A *	3/1997	Benderly	A44C 3/00 40/27.5

(Continued)

OTHER PUBLICATIONS

[Online] http://www.takohl.com/collections/amulet_collection/takohl-peace-amulet. Retrieved May 11, 2018.*

Primary Examiner — Melanie Sue Pellegrini

(74) *Attorney, Agent, or Firm* — McAndrews, Held & Malloy, Ltd.

(57) **CLAIM**

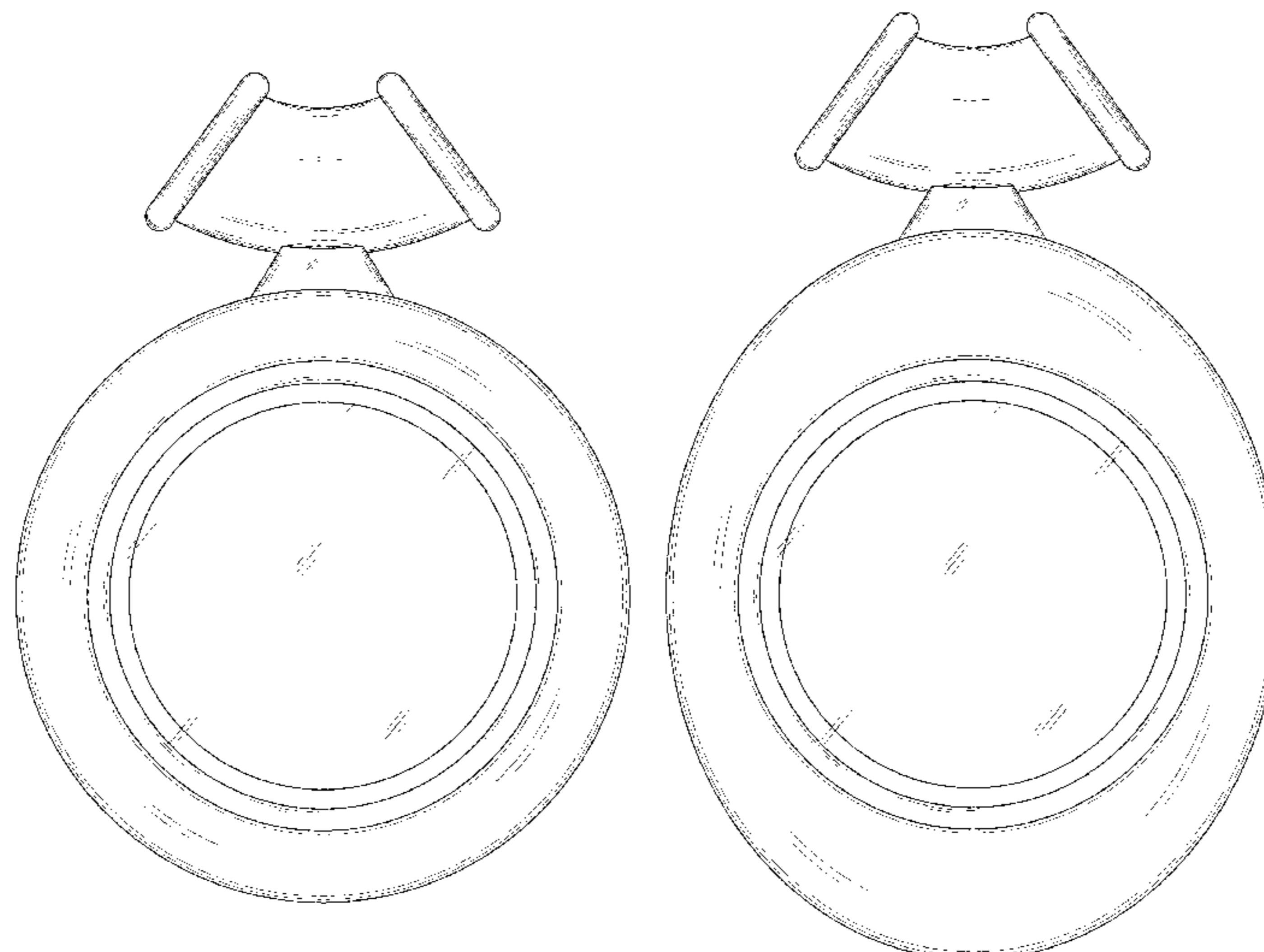
The ornamental design for a pendant, as shown and described.

DESCRIPTION

FIG. 1 is a front perspective view of a first embodiment of a pendant showing my new design;
 FIG. 2 is a front elevation view thereof;
 FIG. 3 is a rear elevation view thereof;
 FIG. 4 is a left-side elevation view thereof;
 FIG. 5 is a right-side elevation view thereof;
 FIG. 6 is a top plan view thereof;
 FIG. 7 is a bottom plan view thereof;
 FIG. 8 is a front perspective view shown in an environment of use wherein the stipple-shaded liquid forms no part of the claimed design;
 FIG. 9 is a front elevational view of FIG. 8 wherein the stipple-shaded liquid forms no part of the claimed design;
 FIG. 10 is a rear elevation view of a second embodiment of a pendant showing my new design, it being understood that, apart from FIG. 3, all other views of the pendant are the same as those of the first embodiment;
 FIG. 11 is a front perspective view of a third embodiment of a pendant showing my new design;
 FIG. 12 is a front elevation view thereof;
 FIG. 13 is a rear elevation view thereof;
 FIG. 14 is a left-side elevation view thereof;
 FIG. 15 is a right-side elevation view thereof;
 FIG. 16 is a top plan view thereof; and,
 FIG. 17 is bottom plan view thereof.

The broken lines shown in FIG. 10 represent portions of the pendant which form no part of the claimed design. The stipple-shaded liquid shown in FIGS. 8 and 9 represents environment and also forms no part of the claimed design.

1 Claim, 15 Drawing Sheets



(56)

References Cited

U.S. PATENT DOCUMENTS

D413,830	S	*	9/1999	Moten	D11/40
D442,879	S	*	5/2001	Mettier, Jr.	D11/83
D495,617	S	*	9/2004	Walters	D11/83
D619,492	S	*	7/2010	Wallace	D11/50
D621,399	S	*	8/2010	Ahlstrom	D14/344
D635,483	S	*	4/2011	Charles	D11/79
D712,298	S	*	9/2014	Taylor-Cattapan	D11/79
D715,679	S	*	10/2014	Ochoa	D11/80
D766,124	S	*	9/2016	Ochoa	D11/80
D794,491	S	*	8/2017	Shanderson	D11/3
2007/0234757	A1	*	10/2007	Sherman	A44C 25/002 63/18
2010/0101274	A1	*	4/2010	Worth	A44C 25/001 63/40
2015/0143847	A1	*	5/2015	Weems	A44C 25/002 63/18
2015/0320156	A1	*	11/2015	Meisenbach	A44C 25/002 63/1.14

* cited by examiner

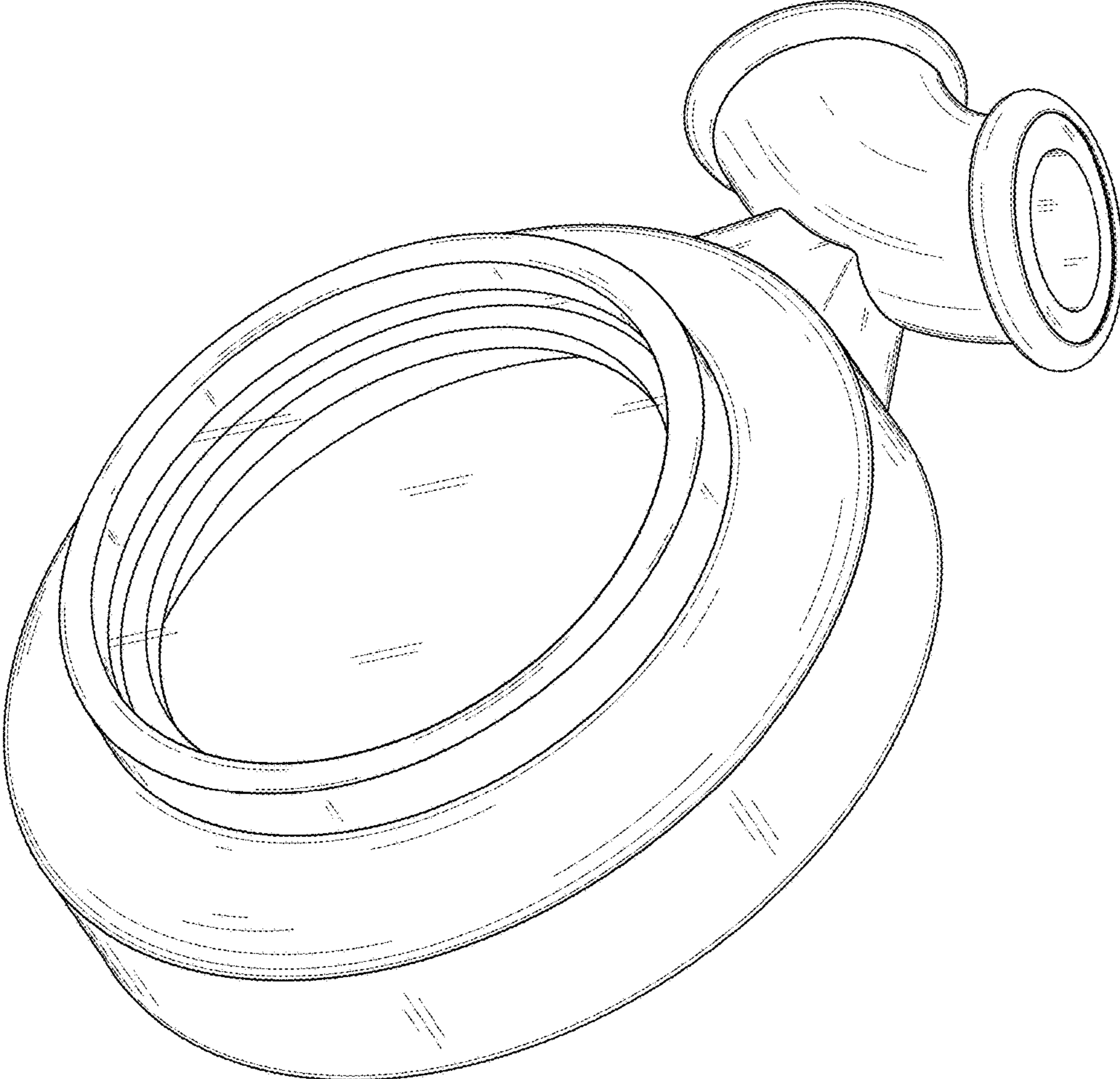


FIG. 1

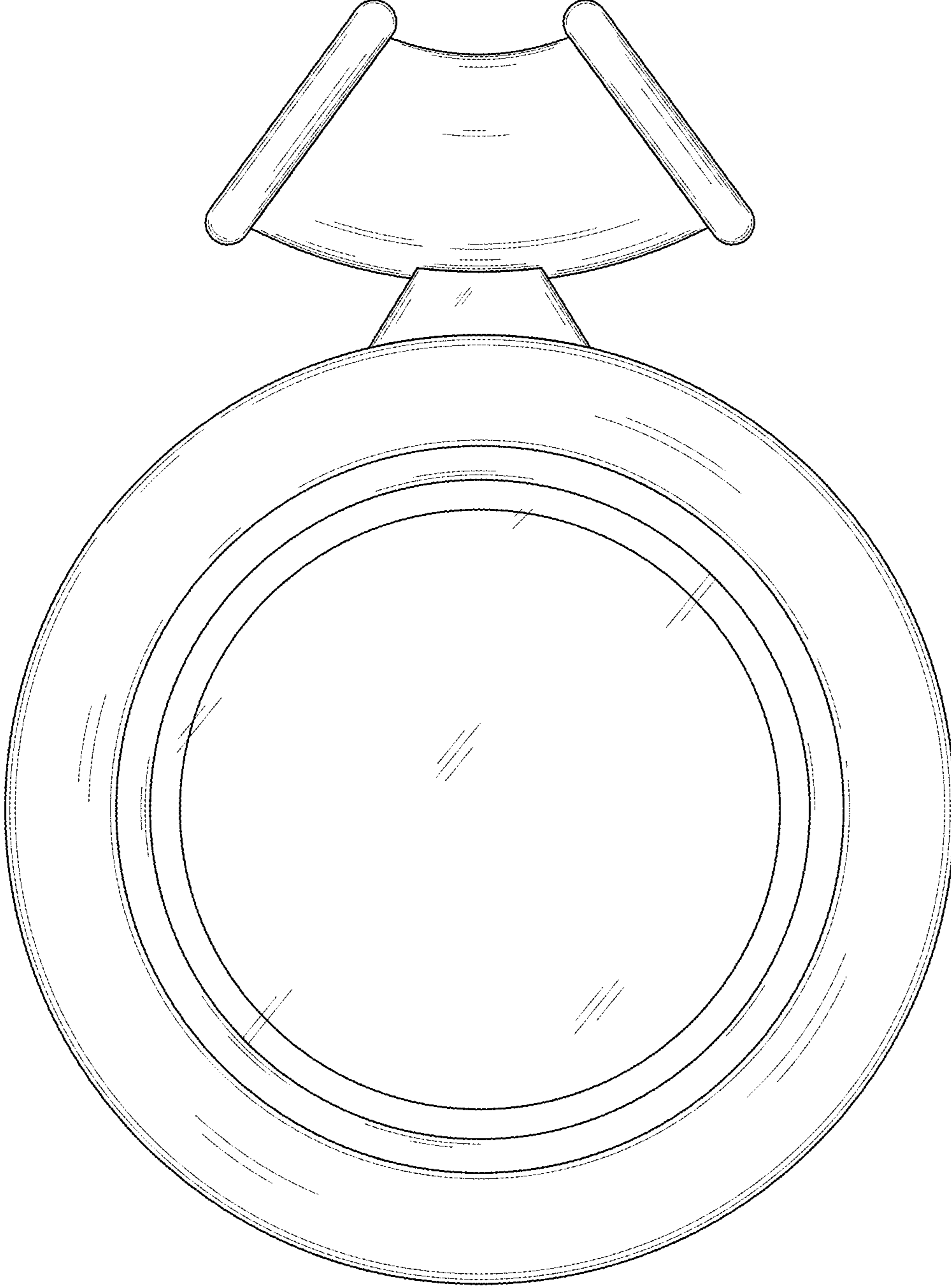


FIG. 2

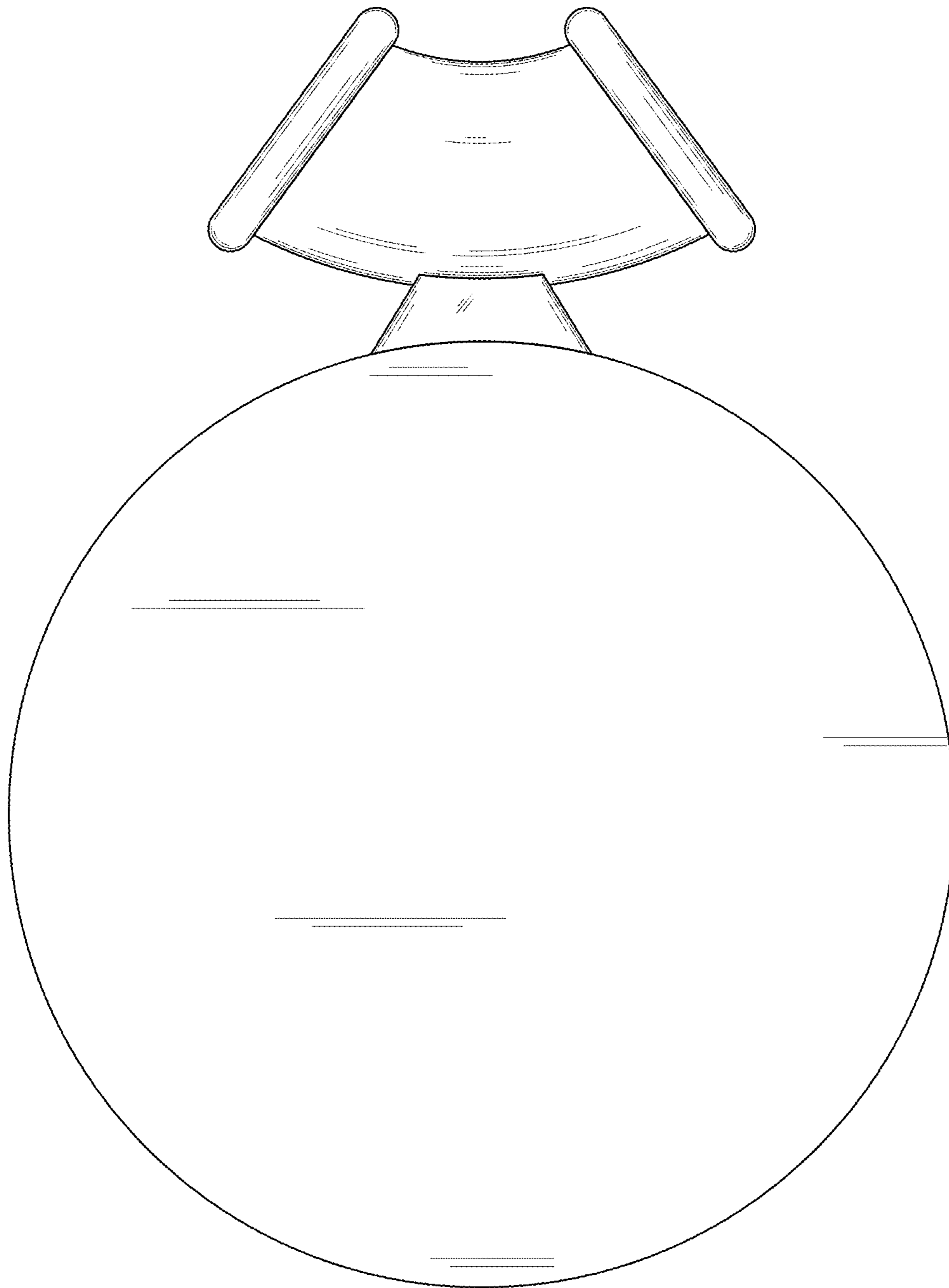


FIG. 3

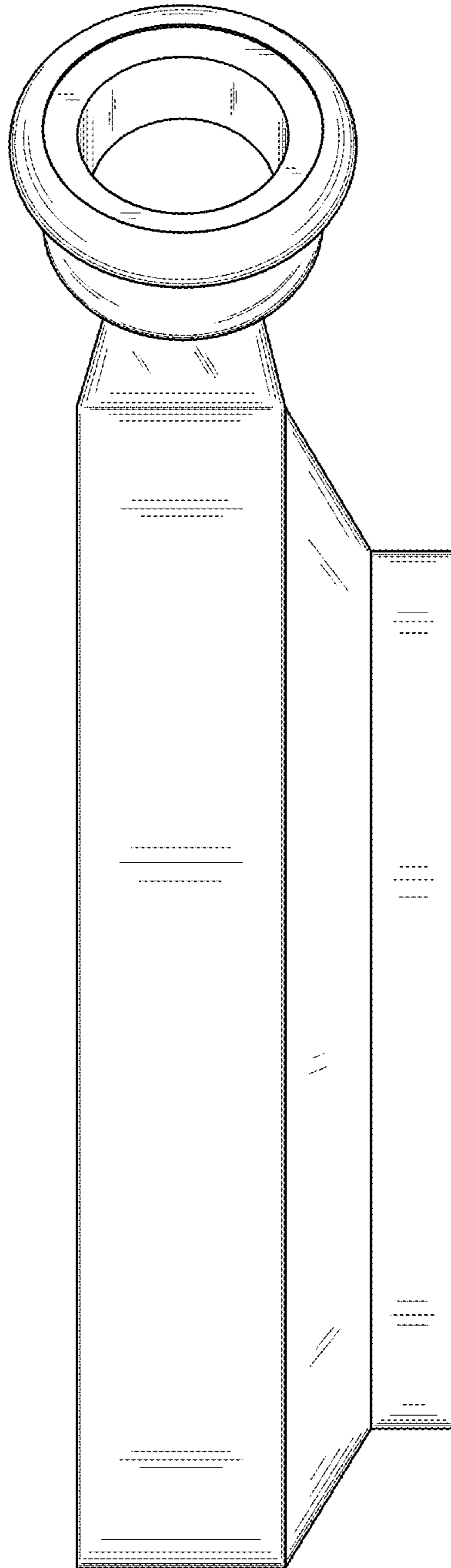


FIG. 4

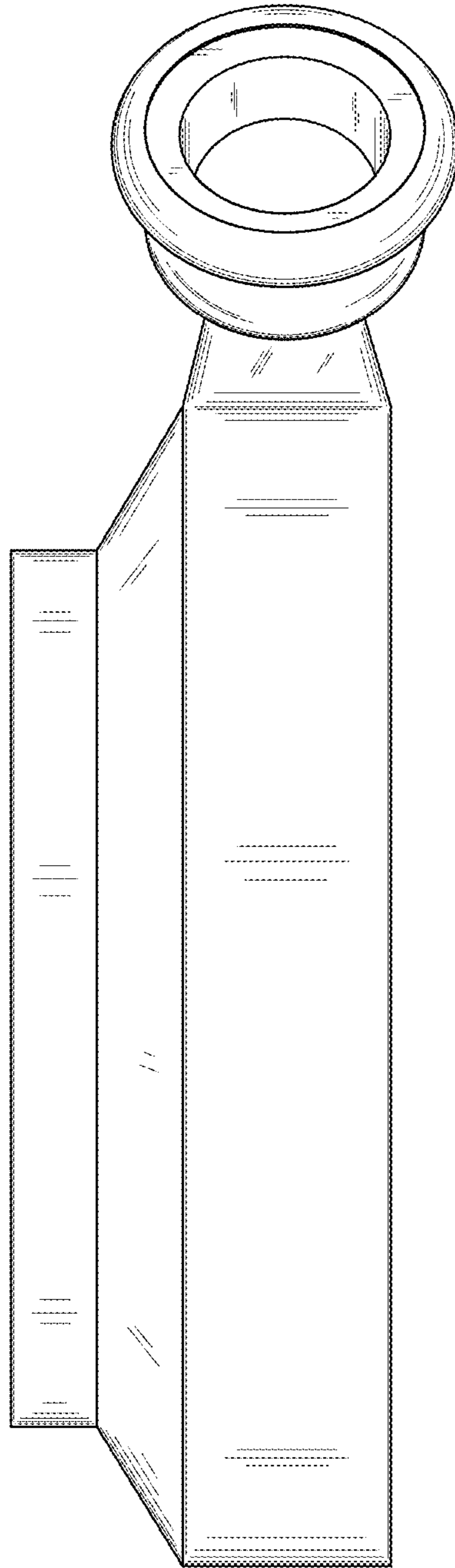


FIG. 5

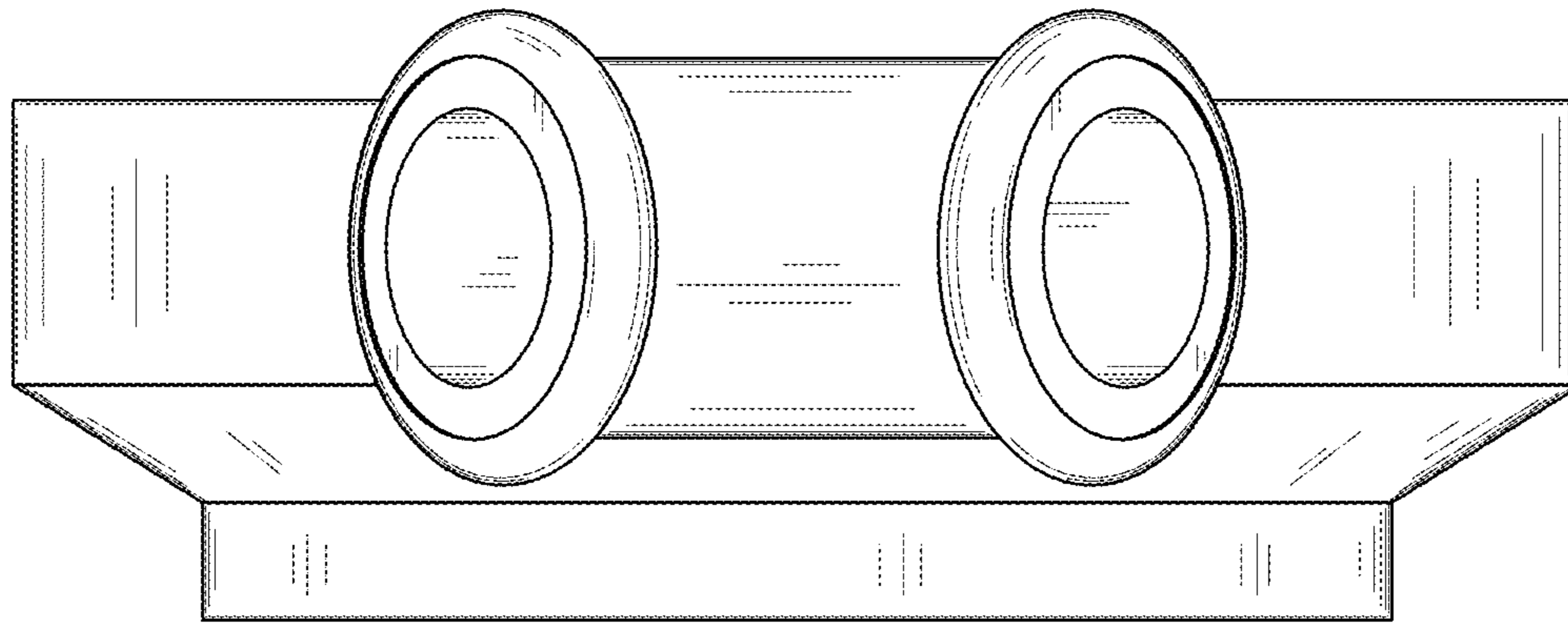


FIG. 6

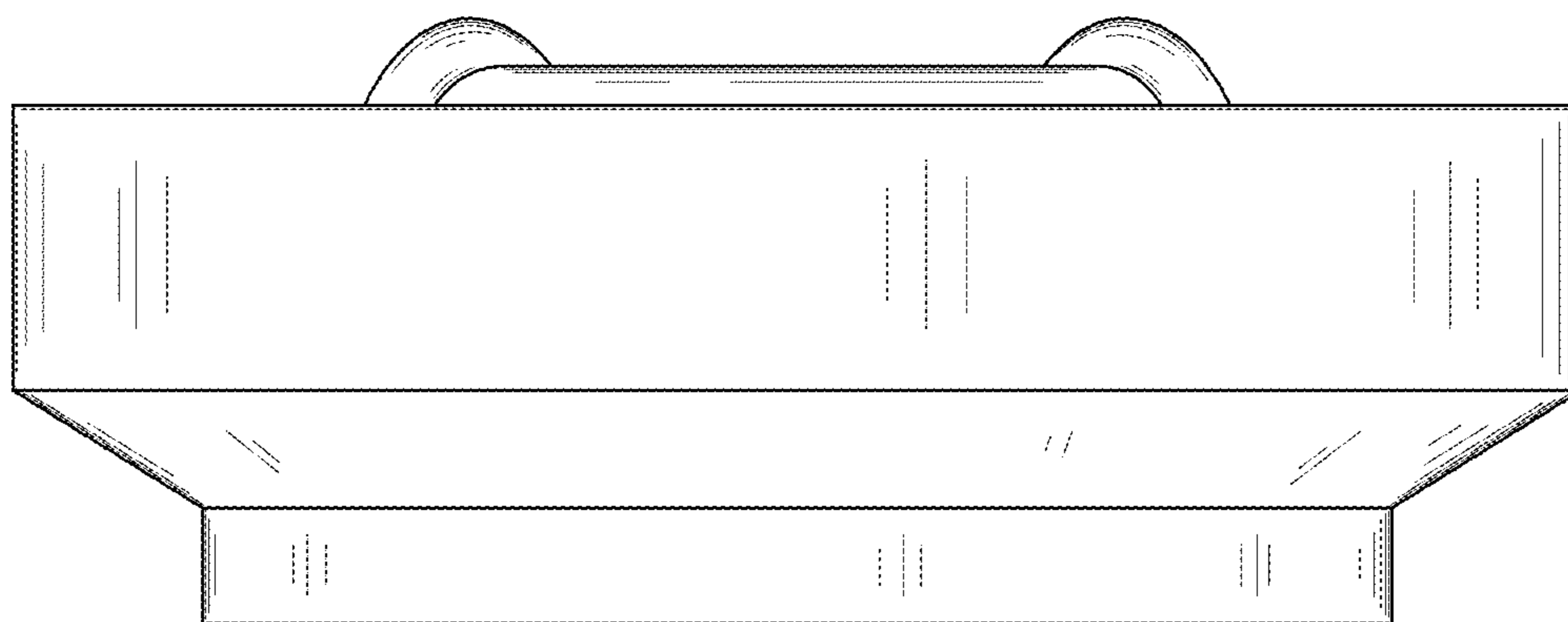


FIG. 7

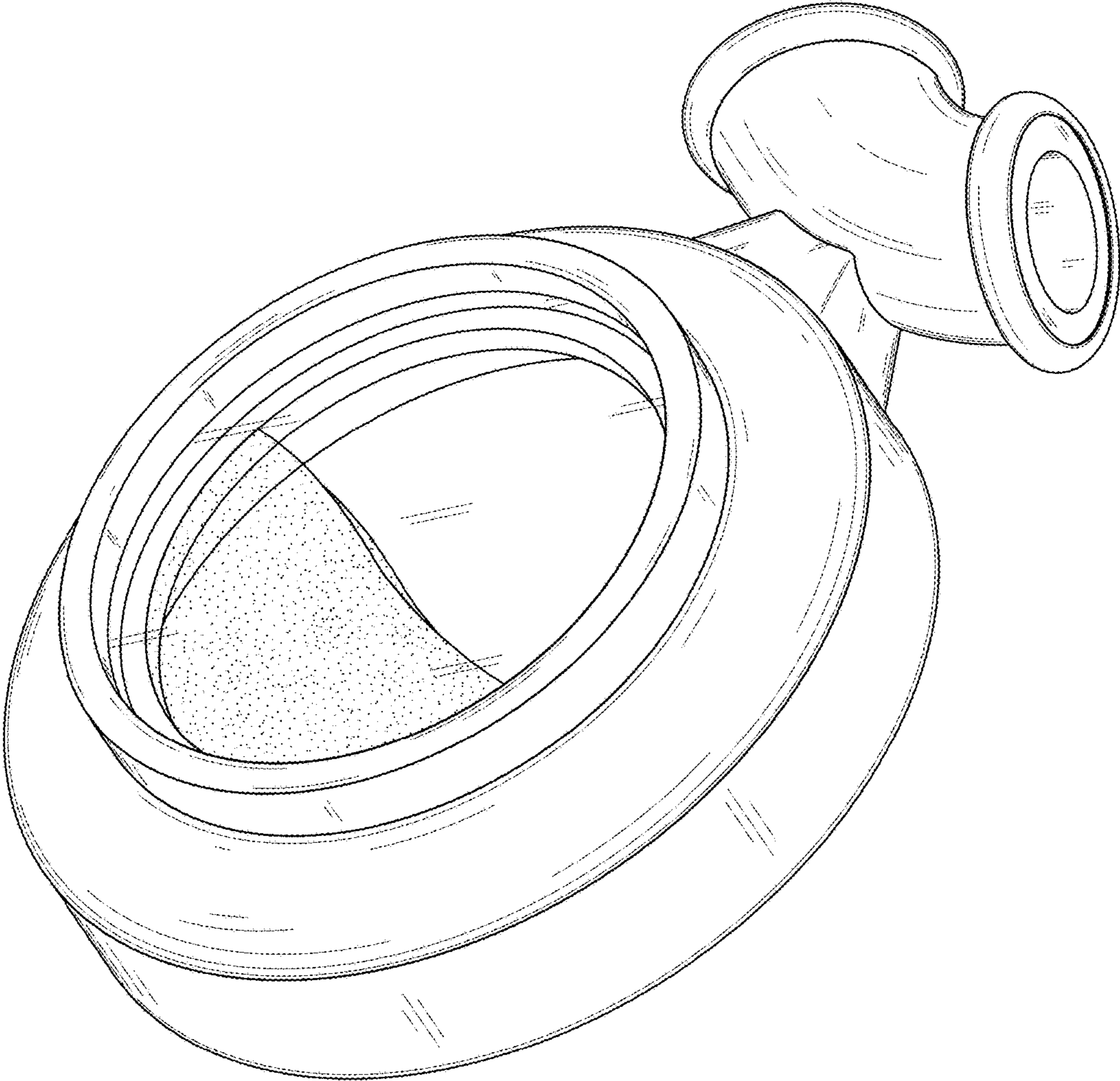


FIG. 8

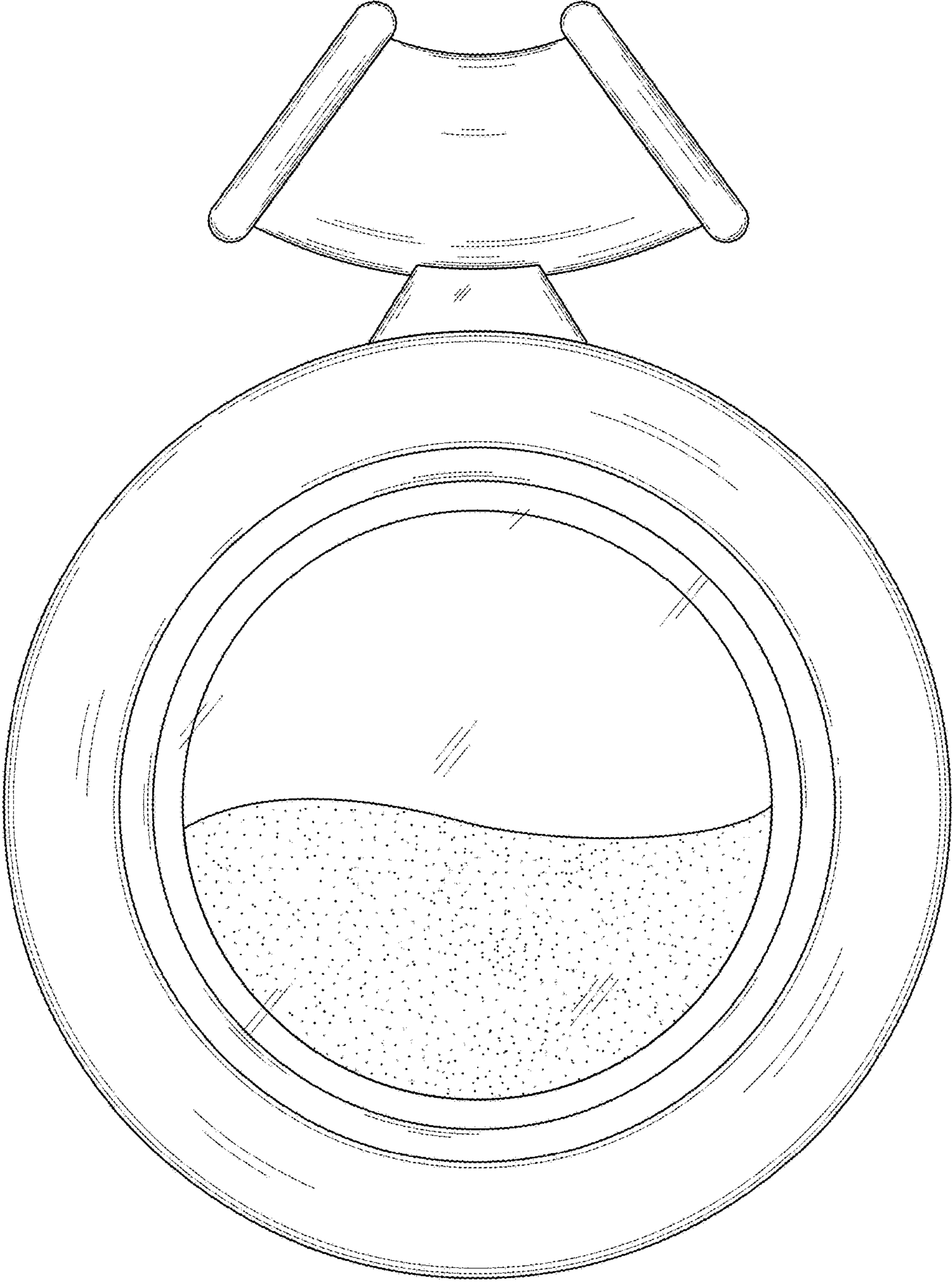


FIG. 9



FIG. 10

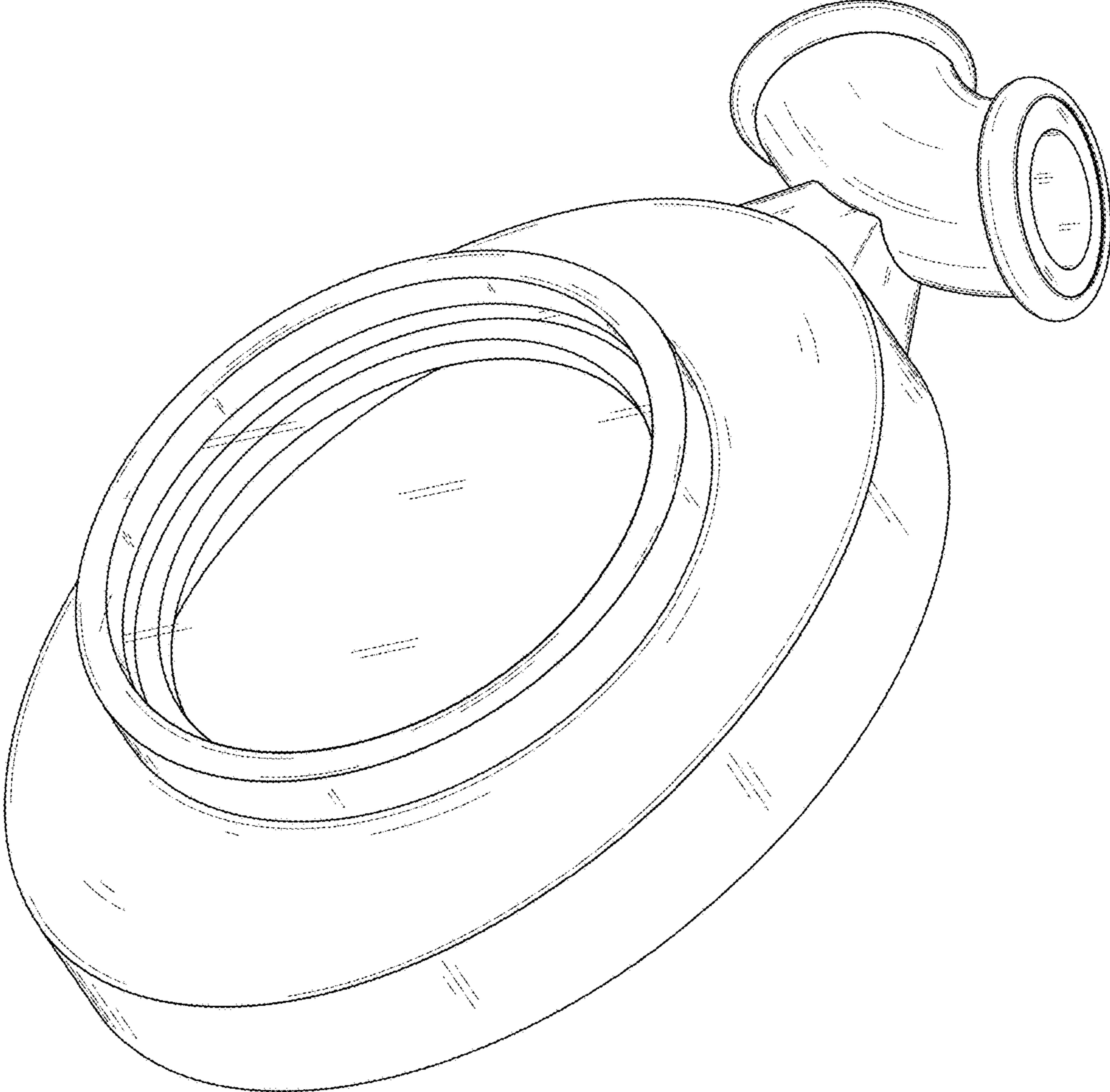


FIG. 11

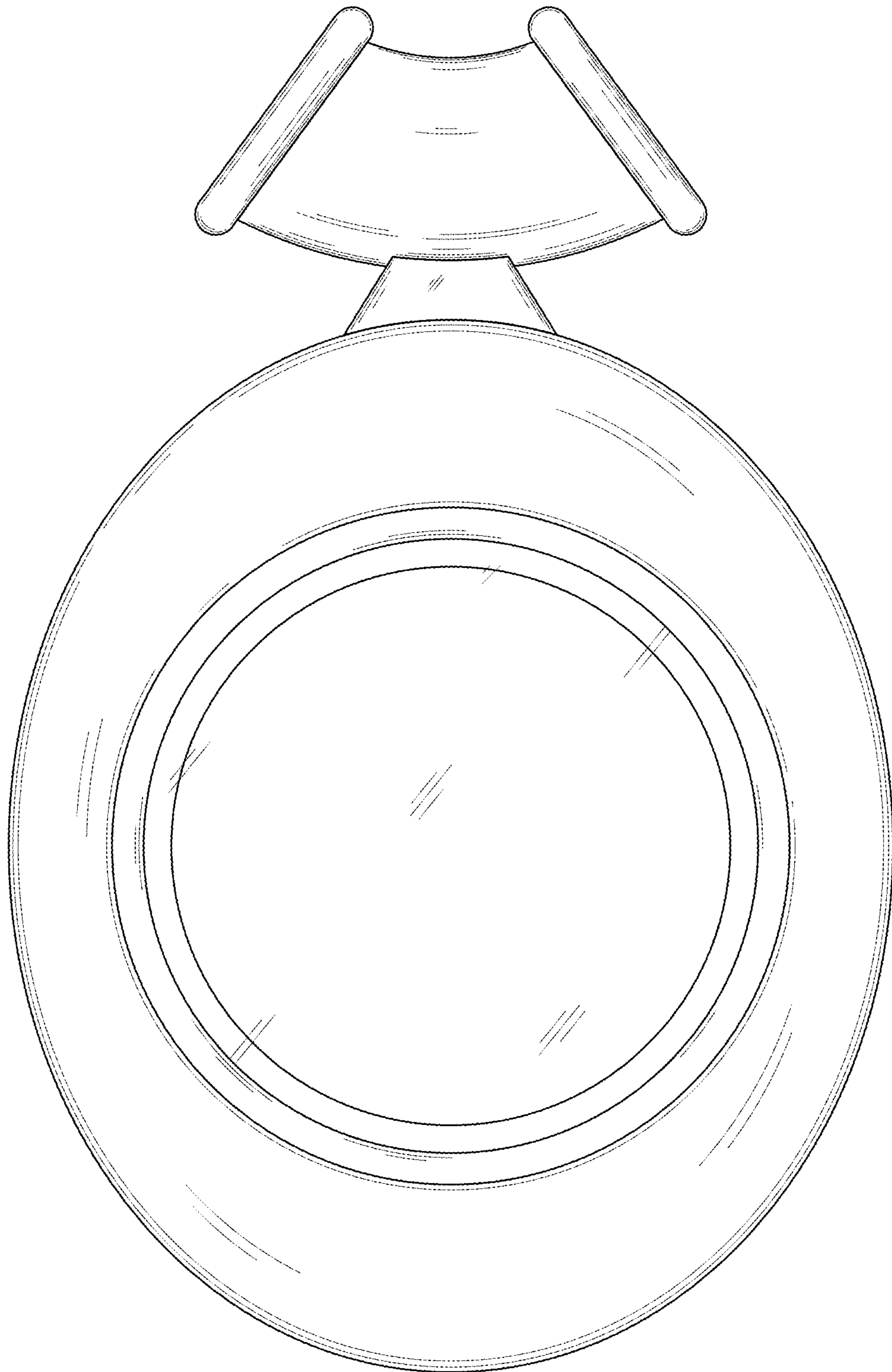


FIG. 12

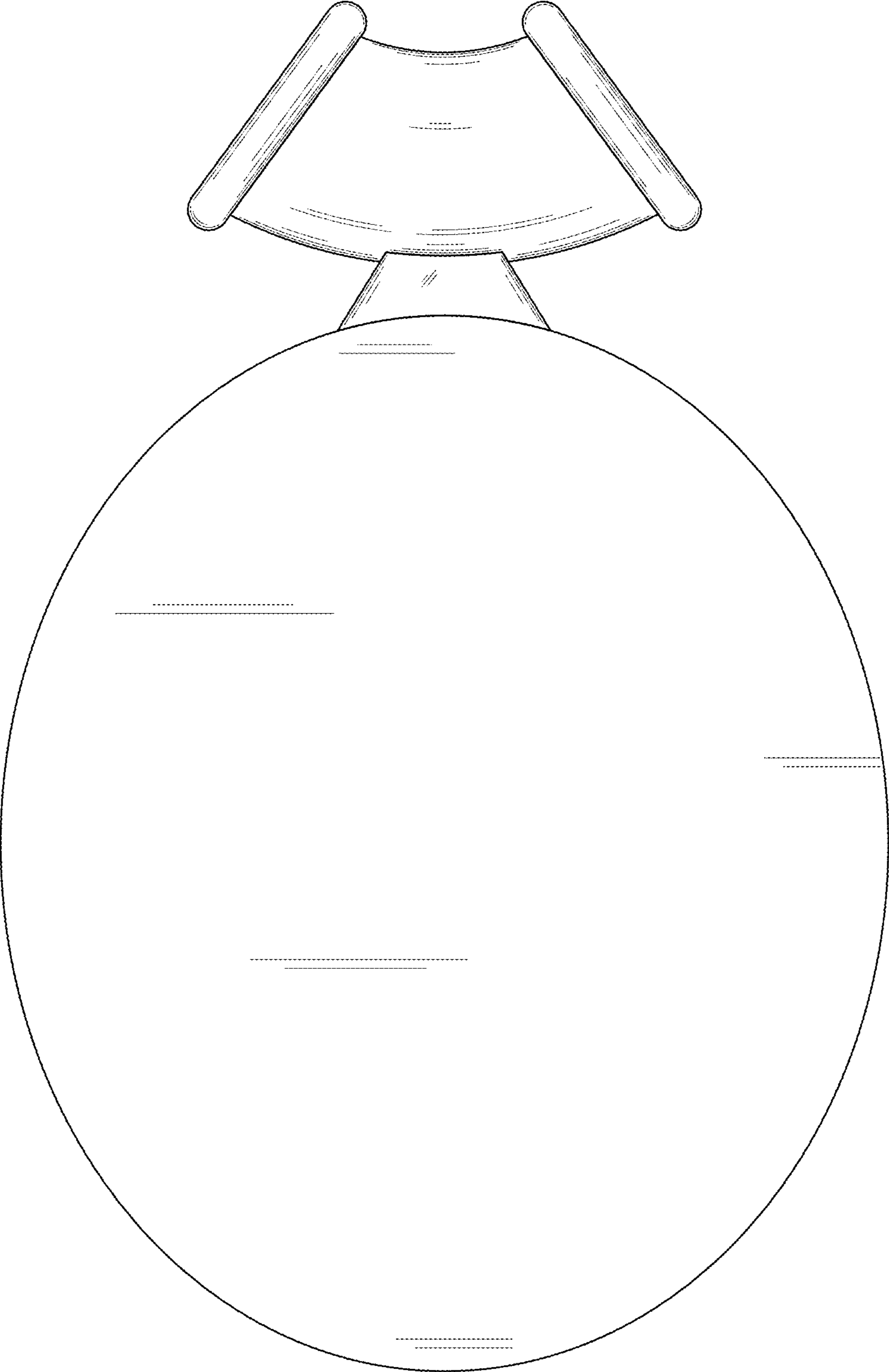


FIG. 13

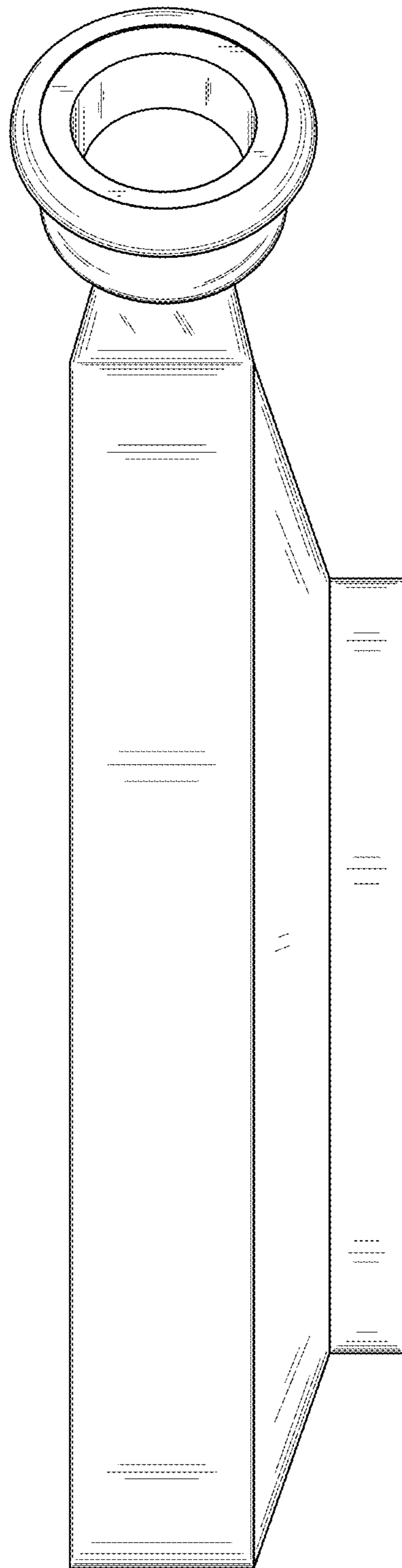


FIG. 14

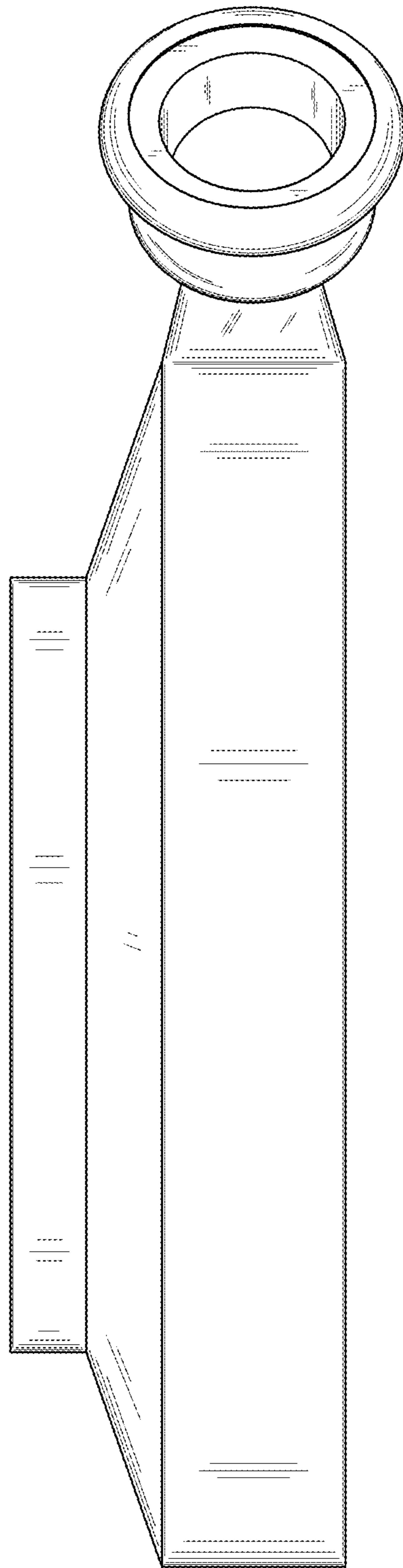


FIG. 15

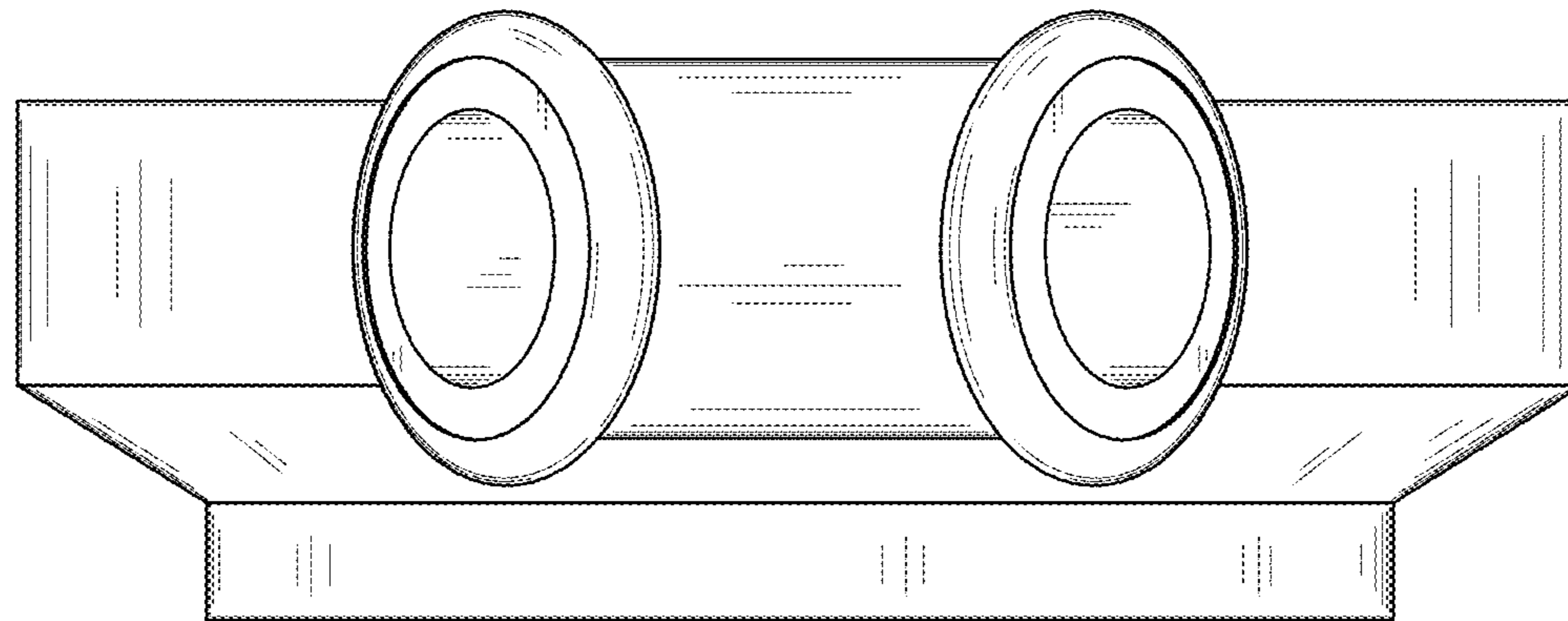


FIG. 16

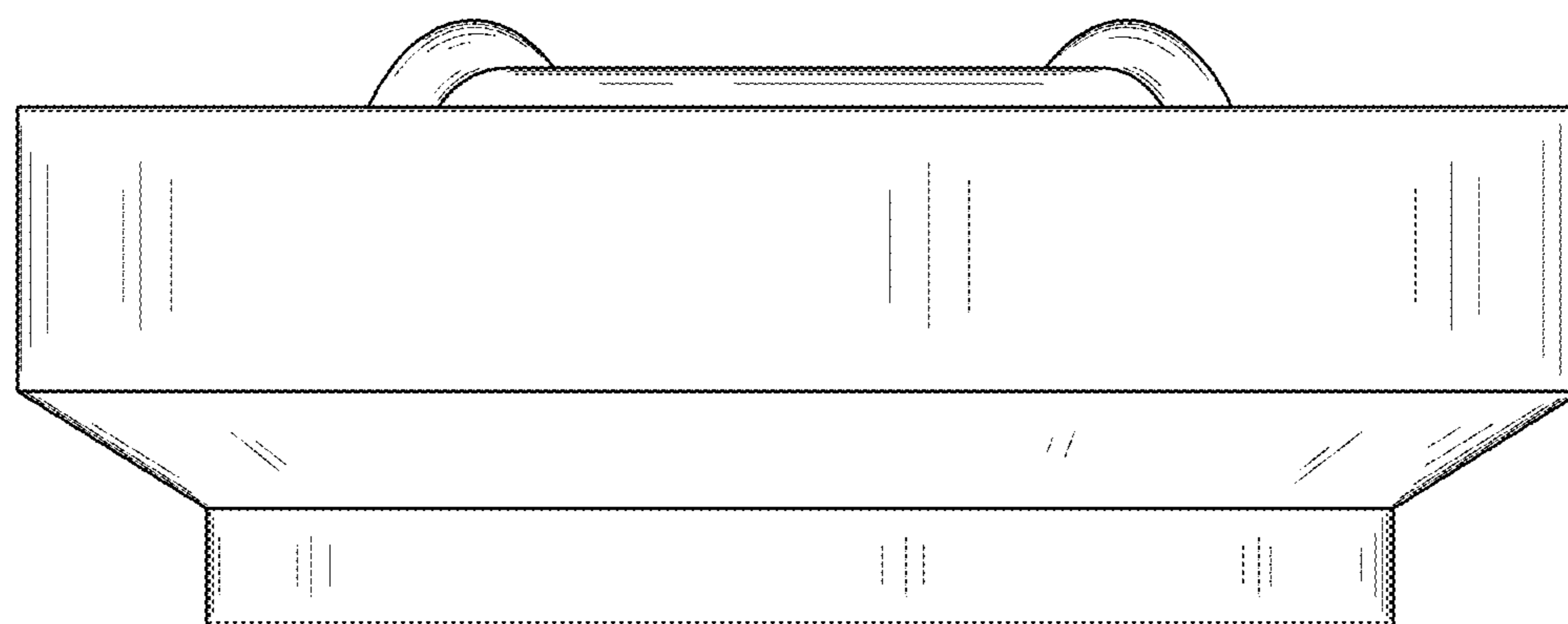


FIG. 17