



US00D828208S

(12) **United States Design Patent** (10) **Patent No.:** **US D828,208 S**  
**Blanc et al.** (45) **Date of Patent:** **\*\* Sep. 11, 2018**

(54) **WATCH BAND**

(71) Applicants: **Smith Blanc**, Coral Spings, FL (US);  
**Jamarl Kevin Simon**, Westin, FL (US);  
**Claude Cadet**, Plantation, FL (US)

(72) Inventors: **Smith Blanc**, Coral Spings, FL (US);  
**Jamarl Kevin Simon**, Westin, FL (US);  
**Claude Cadet**, Plantation, FL (US)

(\*\*) Term: **15 Years**

(21) Appl. No.: **29/533,163**

(22) Filed: **Jul. 15, 2015**

(51) **LOC (11) Cl.** ..... **11-01**

(52) **U.S. Cl.**  
USPC ..... **D11/6**

(58) **Field of Classification Search**  
USPC ..... D11/1-26, 86, 87, 93, 94; D10/70, 98,  
D10/32, 38, 30, 31, 33, 34, 35, 36, 37,  
D10/39; D24/167, 200; D14/344;  
D3/203.1, 215, 218, 201  
CPC ..... A44C 5/00; A44C 5/0007; A44C 5/0015;  
A44C 5/0023; A44C 5/003; A44C  
5/0038; A44C 5/0053; A44C 5/0061;  
A44C 5/0069; A44C 5/0076; A44C  
5/0084; A44C 5/0092; A44C 5/02; A44C  
5/025; A44C 5/027; A44C 5/08; A61B  
5/02405; G04B 19/04; G04B 19/06;  
G04B 19/065; G04B 19/23; G04B 19/08;  
G04B 19/10; G04B 19/12; G04B 19/24;  
G04B 19/26; G04B 19/268; G04B 19/30;  
G04B 37/084; G04B 37/0008; G04B  
37/0058; G04B 37/1486; G04B 17/08;  
G04B 17/00; G04B 17/005; G04B  
17/285; G04B 37/18; G04B 37/081;  
G04B 37/082

See application file for complete search history.

(56) **References Cited**

U.S. PATENT DOCUMENTS

D164,343	S	*	8/1951	Wishengrad	.....	D11/12
D171,005	S	*	12/1953	Nolin	.....	D10/32
D192,971	S	*	6/1962	Meyerson	.....	D11/94
3,203,200	A	*	8/1965	Inotsume	.....	A44C 5/04 2/339
3,965,671	A	*	6/1976	Kodera	.....	A44C 5/027 59/80
D259,186	S	*	5/1981	Perrin	.....	D10/32
D262,949	S	*	2/1982	Perrin	.....	D10/32
D267,478	S	*	1/1983	Kanouji	.....	D10/32
D268,332	S	*	3/1983	Weil	.....	D10/32
D277,649	S	*	2/1985	Glauser	.....	D10/32
D349,468	S	*	8/1994	Souren	.....	D11/3
D401,163	S	*	11/1998	Buchser	.....	D10/30
6,880,364	B1	*	4/2005	Vidolin	.....	A44C 5/025 40/633

(Continued)

*Primary Examiner* — Melanie Pellegrini  
(74) *Attorney, Agent, or Firm* — Dunlap Bennett &  
Ludwig PLLC; Brendan E. Squire

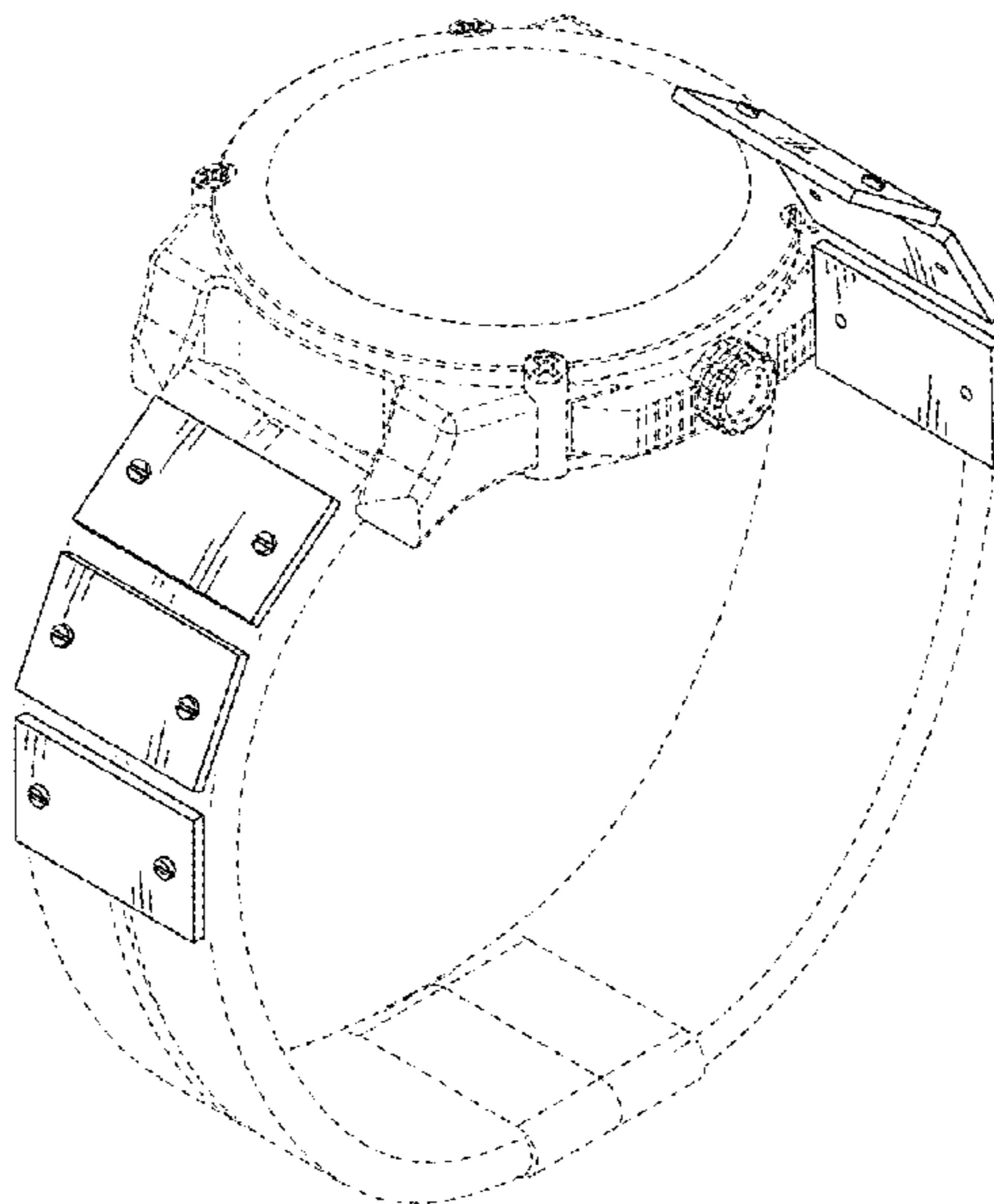
(57) **CLAIM**

The ornamental design for a watch band, as shown and described.

**DESCRIPTION**

FIG. 1: is an isometric view of a watch band shown in use;  
FIG. 2: is a front view of the watch band shown in use;  
FIG. 3: is a rear view of the watch band shown in use;  
FIG. 4: is a left view of the watch band shown in use;  
FIG. 5: is a right view of the watch band shown in use;  
FIG. 6: is a top view of the watch band shown in use; and,  
FIG. 7: is a bottom view of the watch band shown in use.  
The broken lines shown in the drawings illustrate portions of the watch band that form no part of the claimed design.

**1 Claim, 3 Drawing Sheets**



(56)

**References Cited**

U.S. PATENT DOCUMENTS

7,107,790 B2 *	9/2006	Frank .....	A44C 5/14 224/164
D584,170 S *	1/2009	Morrison .....	D10/32
D779,356 S *	2/2017	Thumm .....	D11/3
9,581,972 B1 *	2/2017	Arrow .....	H02J 7/0044
2016/0157571 A1 *	6/2016	Custer .....	A44C 5/08 224/175

\* cited by examiner

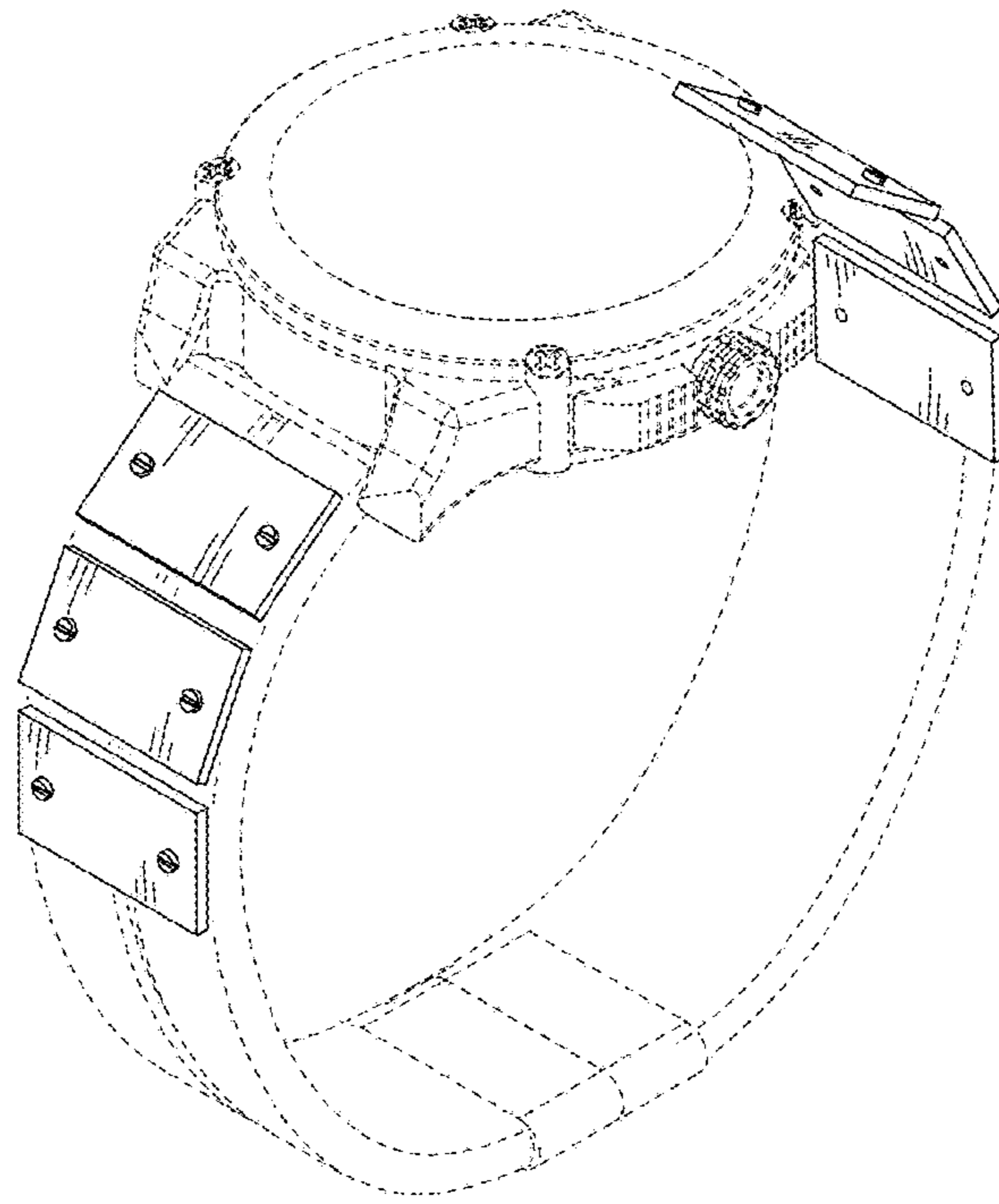


FIG. 1

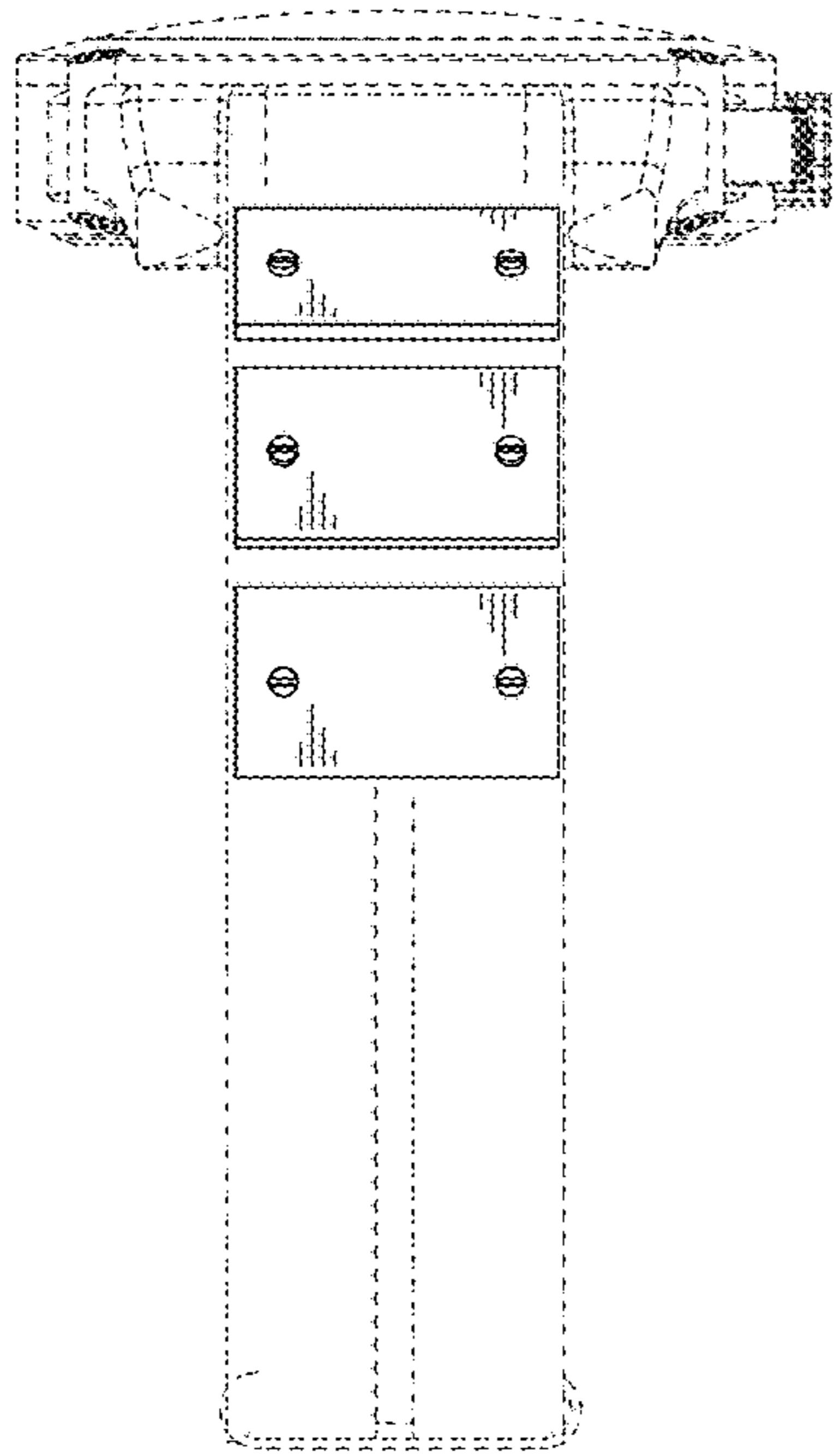


FIG. 2

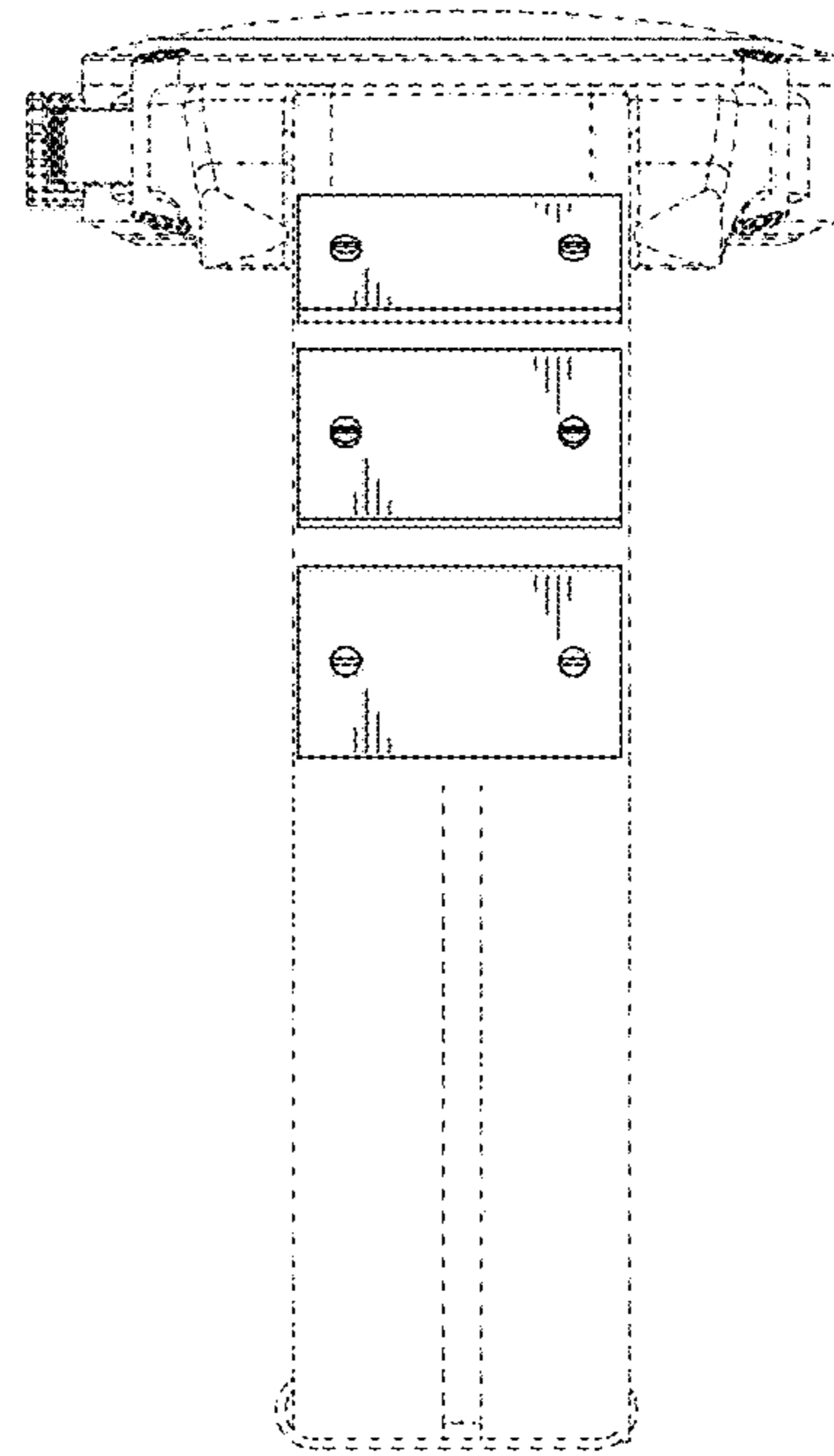


FIG. 3

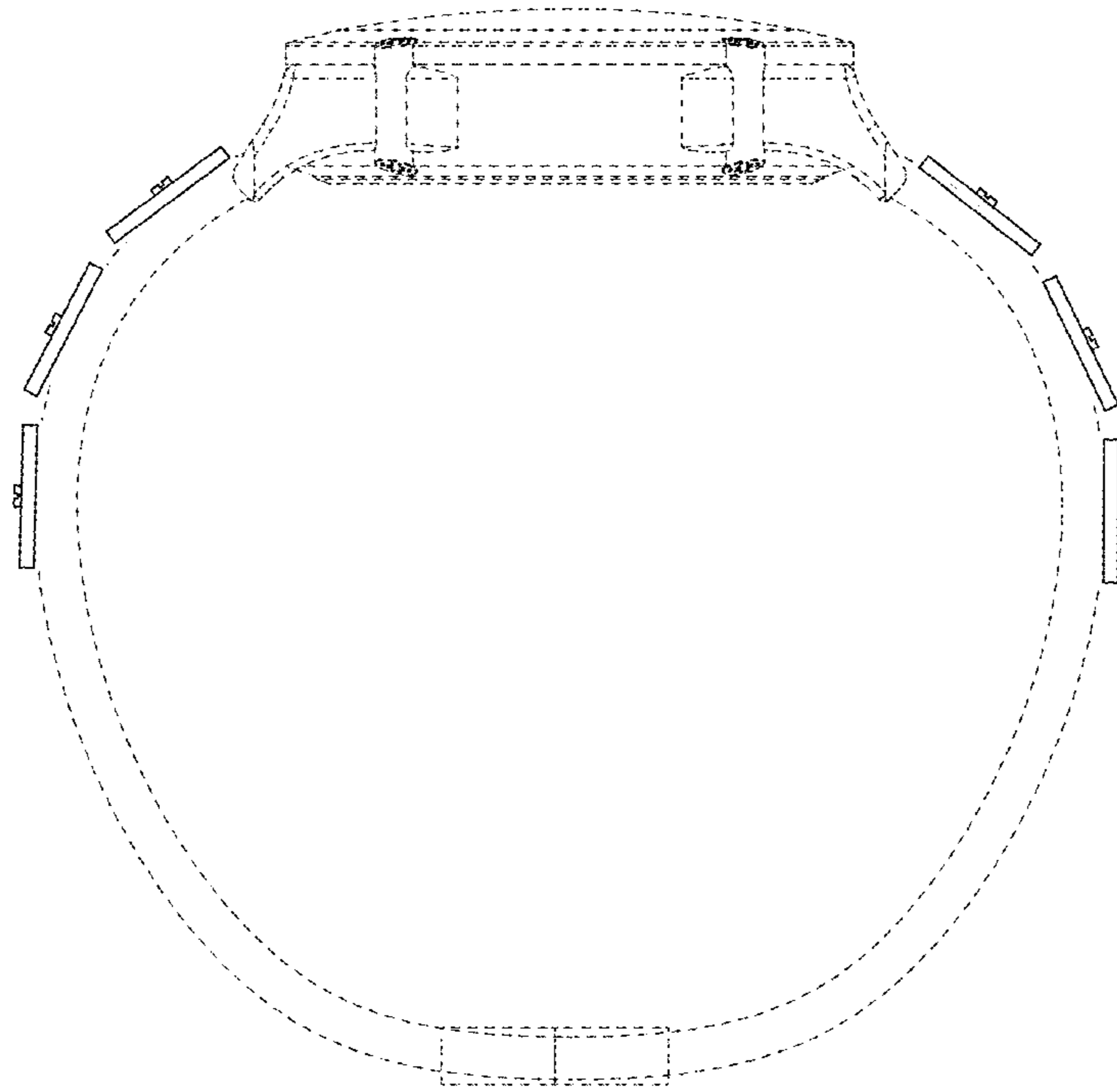


FIG. 4

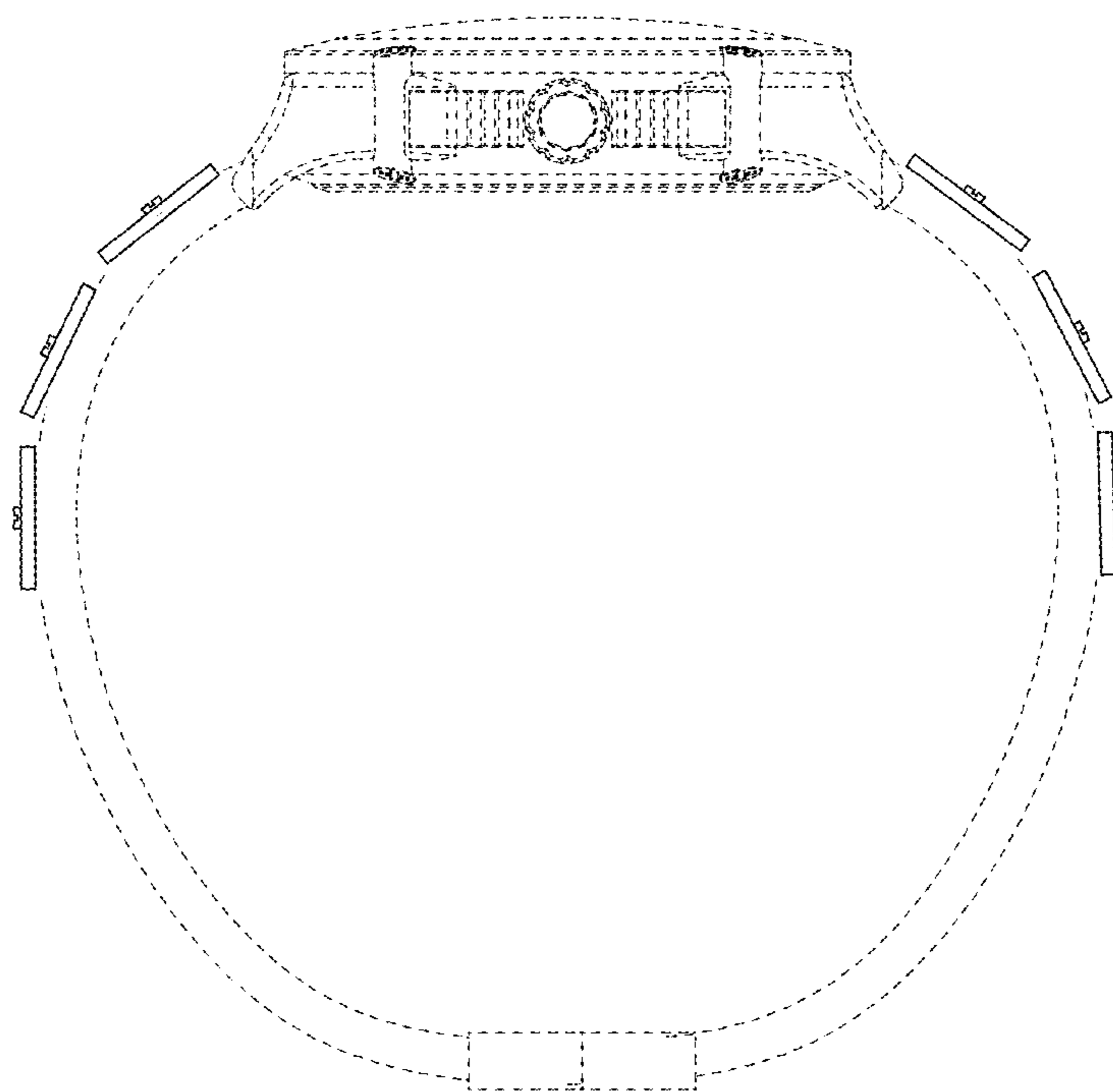


FIG. 5

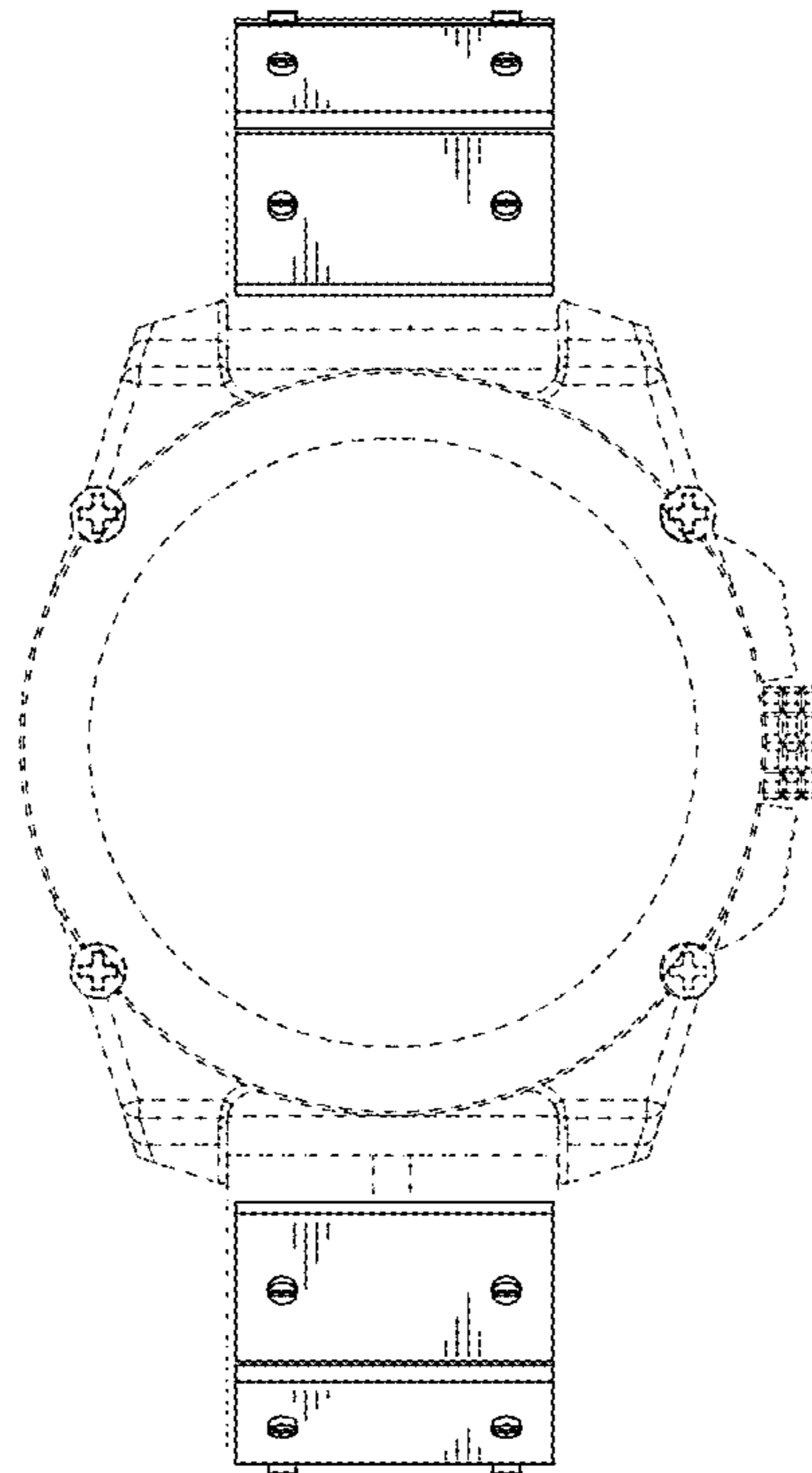


FIG. 6

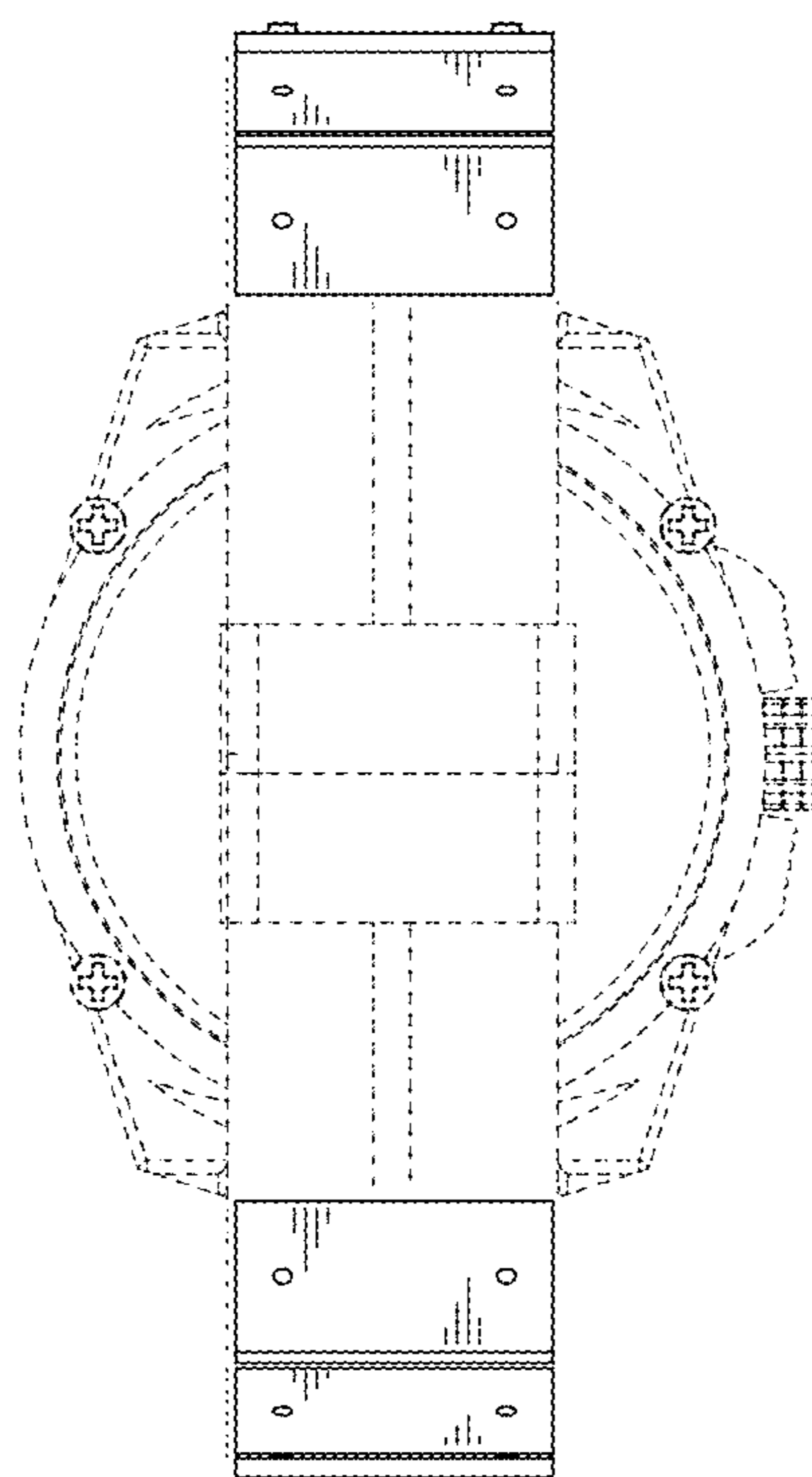


FIG. 7