



US00D828201S

(12) **United States Design Patent**  
**Jeong**

(10) **Patent No.:** **US D828,201 S**

(45) **Date of Patent:** **\*\* Sep. 11, 2018**

(54) **DOORBELL EQUIPPED WITH CAMERA**

(71) Applicant: **LG INNOTEK CO., LTD.**, Seoul (KR)

(72) Inventor: **Kihyun Jeong**, Seoul (KR)

(73) Assignee: **LG INNOTEK CO., LTD.**, Seoul (KR)

(\*\*) Term: **15 Years**

(21) Appl. No.: **35/503,370**

(22) Filed: **Jan. 11, 2017**

(80) **Hague Agreement Data**

Int. Filing Date: **Jan. 11, 2017**

Int. Reg. No.: **DM/094398**

Int. Reg. Date: **Jan. 11, 2017**

Int. Reg. Pub. Date: **Jul. 14, 2017**

(30) **Foreign Application Priority Data**

Oct. 17, 2016 (KR) ..... 30-2016-0049688

(51) **LOC (11) Cl.** ..... **10-05**

(52) **U.S. Cl.**  
USPC ..... **D10/118.2**

(58) **Field of Classification Search**

USPC ..... D10/118.2

See application file for complete search history.

(56) **References Cited**

**U.S. PATENT DOCUMENTS**

D764,958 S \* 8/2016 Scalisi ..... D10/118.2

D765,530 S \* 9/2016 Scalisi ..... D10/118.2

D787,359 S \* 5/2017 Scalisi ..... D10/118.2  
D813,700 S \* 3/2018 Scalisi ..... D10/118.2  
D813,701 S \* 3/2018 Scalisi ..... D10/118.2  
D817,207 S \* 5/2018 Scalisi ..... D10/118.2  
D817,208 S \* 5/2018 Ravat ..... D10/118.2  
D819,476 S \* 6/2018 Siminoff ..... D10/118.2  
D820,136 S \* 6/2018 Scalisi ..... D10/118.2  
D820,137 S \* 6/2018 Siminoff ..... D10/118.2  
D820,708 S \* 6/2018 Siminoff ..... D10/118.2

\* cited by examiner

*Primary Examiner* — George D. Kirschbaum

(74) *Attorney, Agent, or Firm* — Saliwanchik, Lloyd & Eisenschenk

(57) **CLAIM**

The ornamental design for a doorbell equipped with camera, as shown and described.

**DESCRIPTION**

1. Doorbell equipped with camera

1.1 : Perspective

1.2 : Front

1.3 : Back

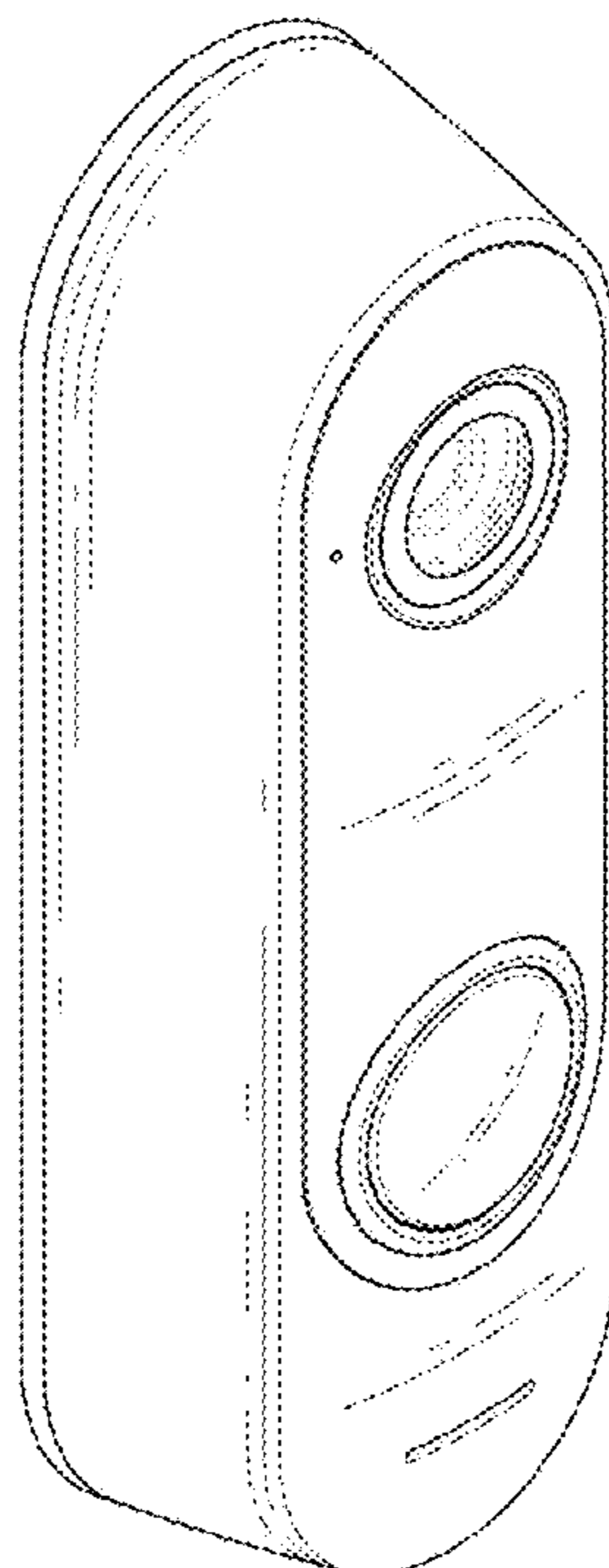
1.4 : Left

1.5 : Right

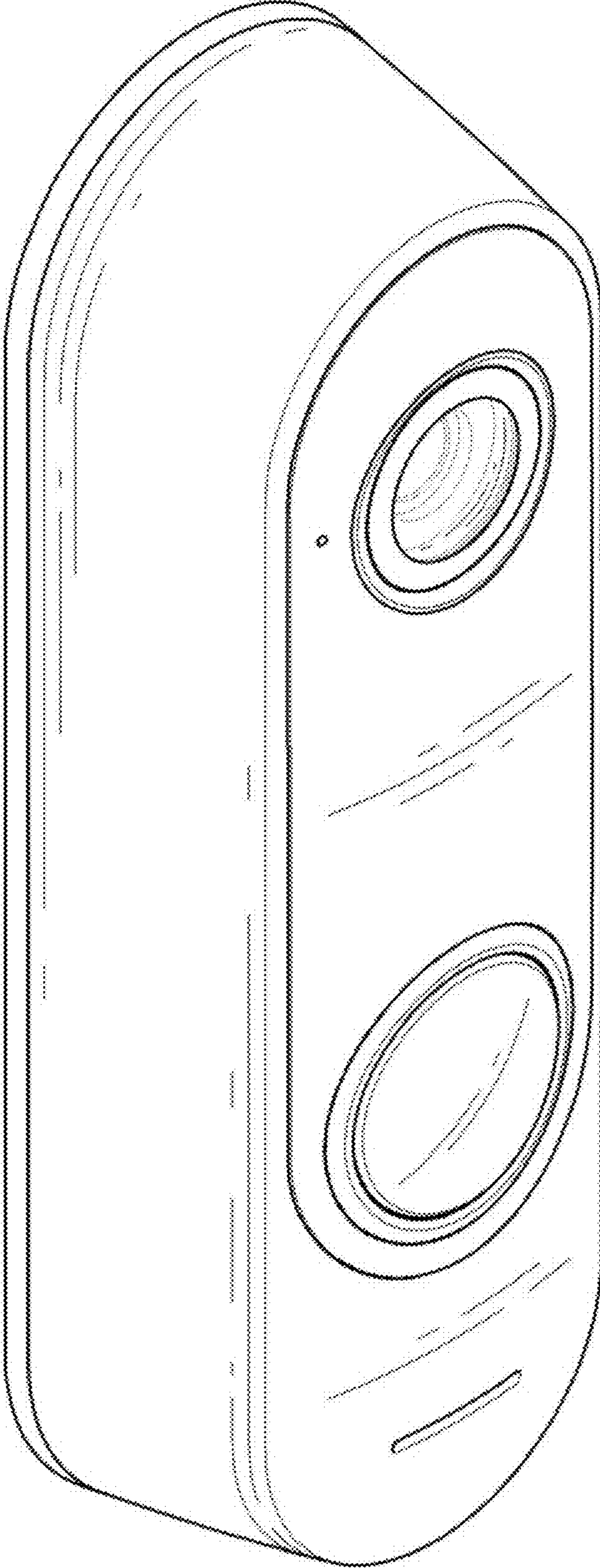
1.6 : Top

1.7 : Bottom

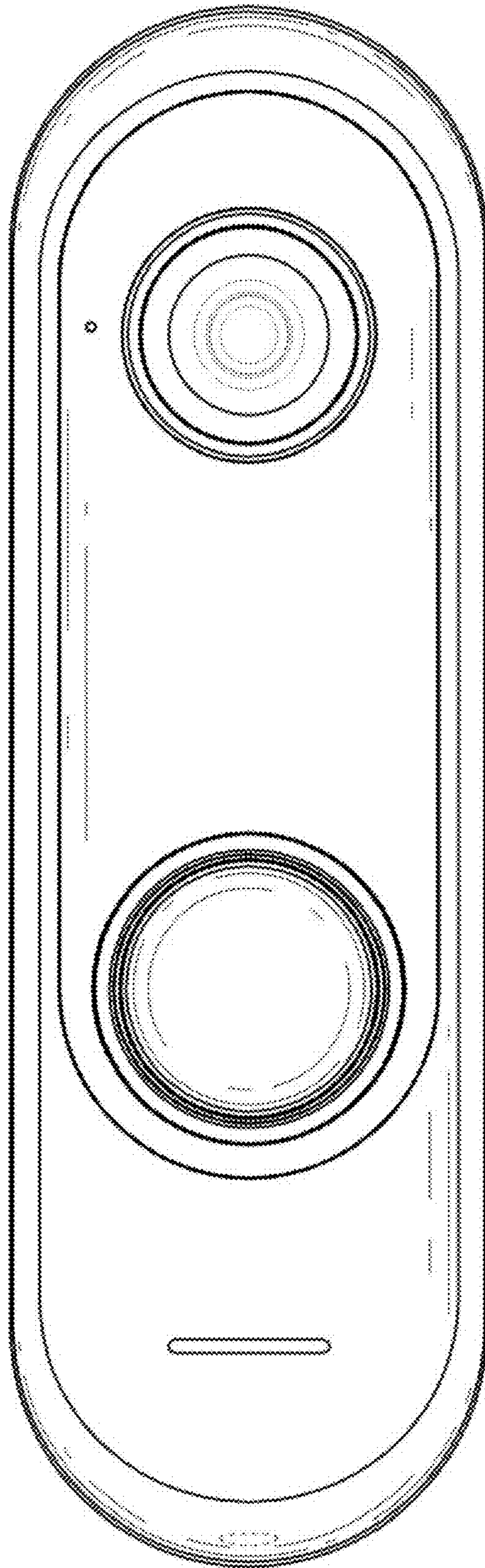
**1 Claim, 7 Drawing Sheets**



1.1

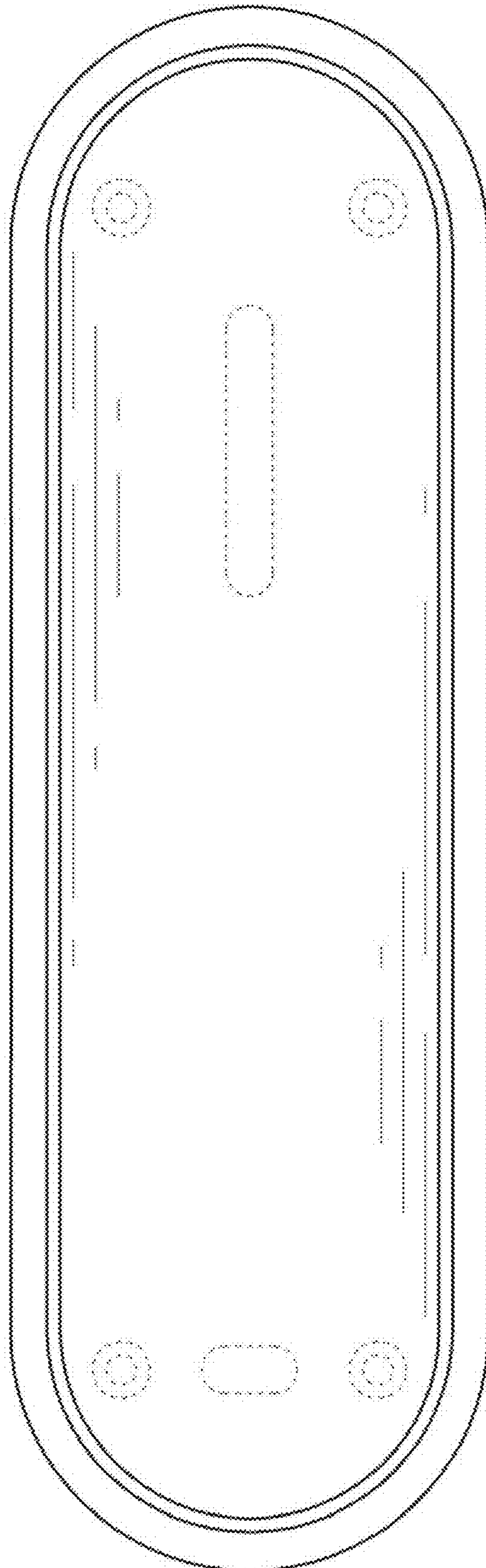


1.2

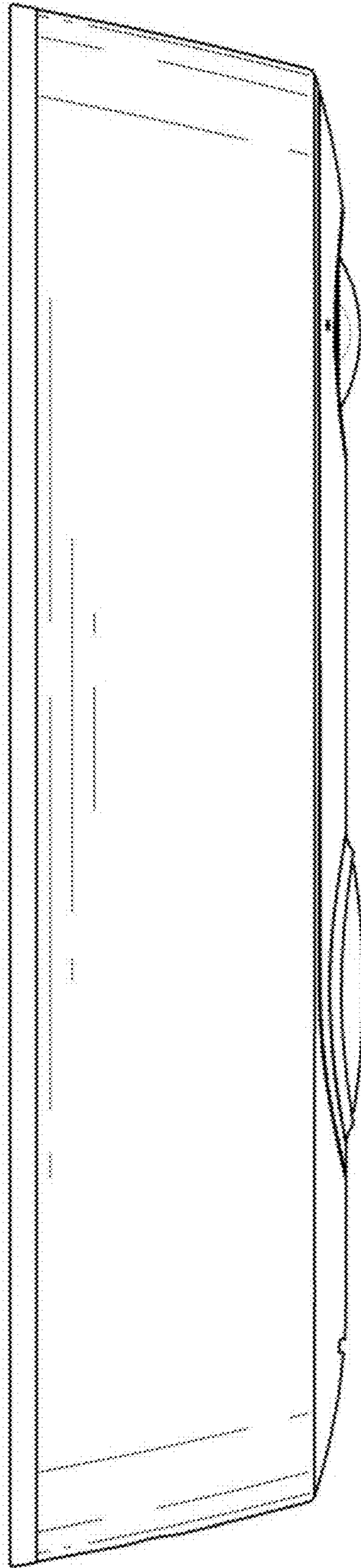




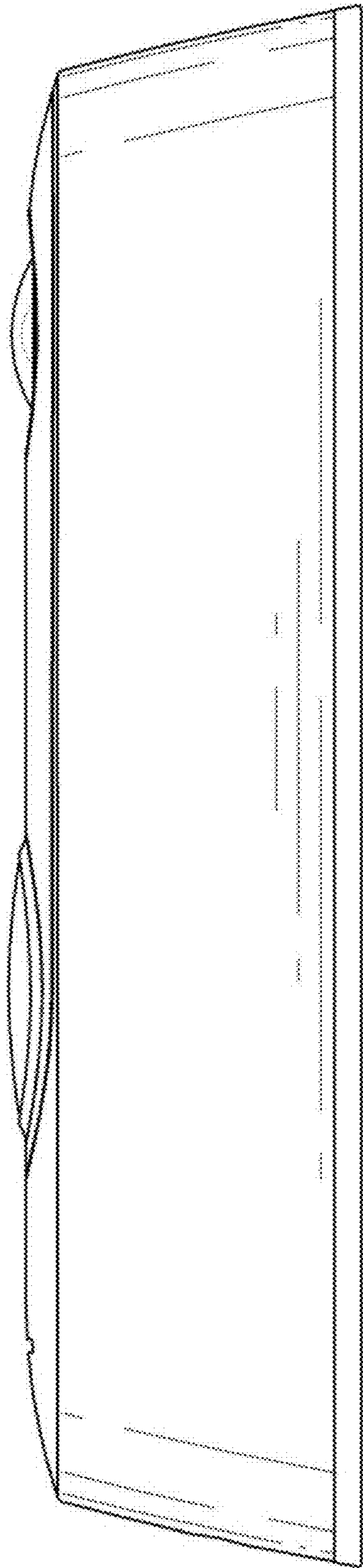
1.3



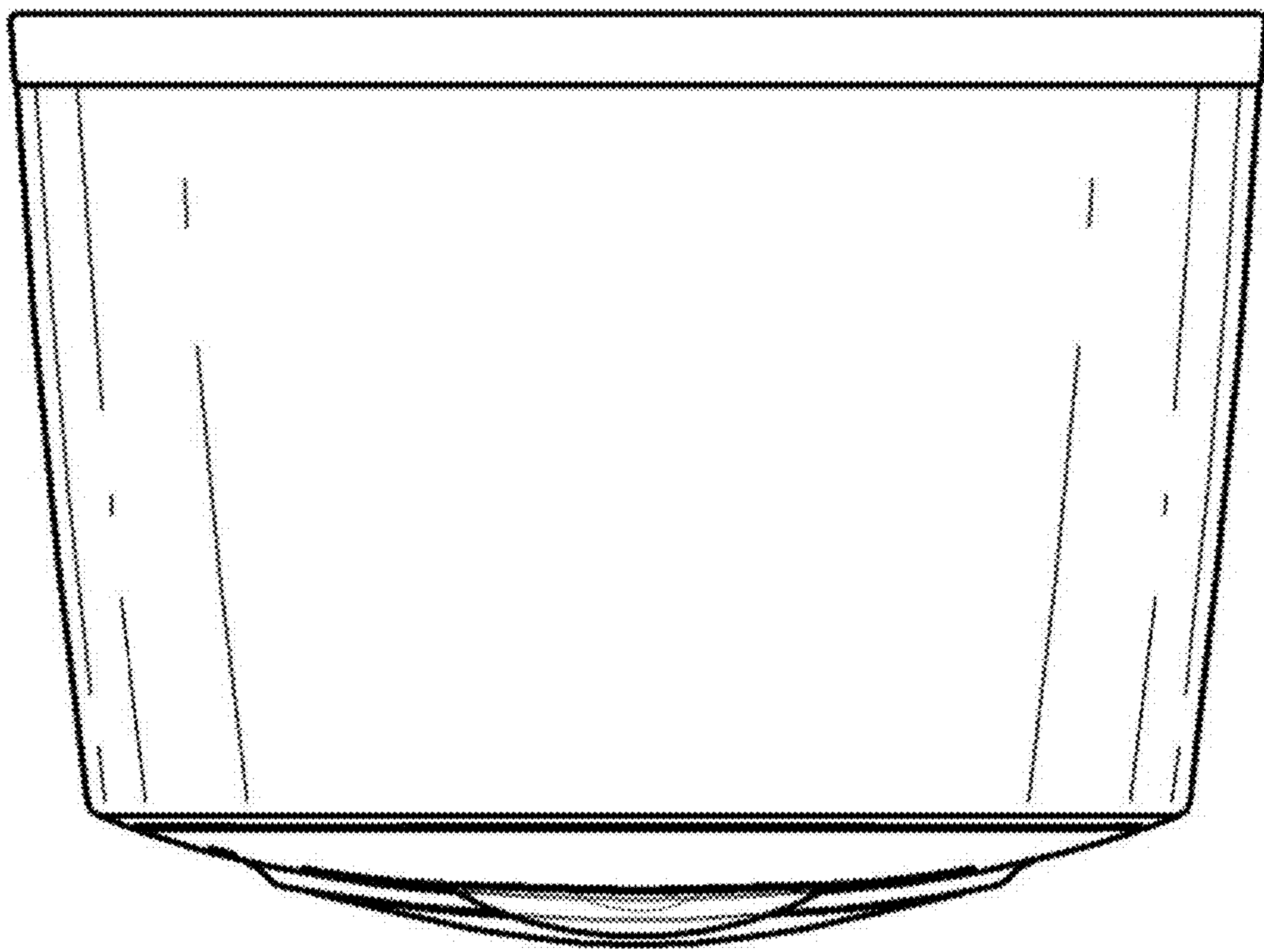
1.4



1.5



1.6



1.7

