



US00D828200S

(12) **United States Design Patent** (10) **Patent No.:** **US D828,200 S**  
**Ahman et al.** (45) **Date of Patent:** **\*\* Sep. 11, 2018**

(54) **CAMERA EQUIPPED NETWORK DOOR STATION**

D798,177 S \* 9/2017 Siminoff ..... D10/118.2  
D813,700 S \* 3/2018 Scalisi ..... D10/118.2  
D817,207 S \* 5/2018 Scalisi ..... D10/118.2

(71) Applicant: **AXIS AB**, Lund (SE)

FOREIGN PATENT DOCUMENTS

(72) Inventors: **Daniel Ahman**, Lomma (SE); **Mathias Walter**, Arlov (SE); **Morten Bergstrom**, Lund (SE); **Jonas Sjogren**, Lund (SE); **Charlotte Gunsjo**, Lund (SE)

EM 002708909-0001 5/2015  
TW D170846 10/2015

OTHER PUBLICATIONS

(73) Assignee: **AXIS AB**, Lund (SE)

DNAKE Xingtong Security Xiamen Co., Ltd., 700C7 outdoor station with poe feature-sip video door phone, <http://kingtelsecurity.en.alibaba.com/product/1508633551-801226108/700C7>.  
JP Series: Video Intercom with 7-inch Touchscreen, <http://www.aiphone.com/home/products/jp-series/>.  
Axis Communication, Press Release Axis announces its first video door station for identification and entry management, Axis A8004-VE Network Video Door Station, Apr. 23, 2015, Lund.

(\*\*) Term: **15 Years**

(21) Appl. No.: **29/575,330**

(22) Filed: **Aug. 24, 2016**

(Continued)

(30) **Foreign Application Priority Data**

Feb. 26, 2016 (EM) ..... 003003789

*Primary Examiner* — George D. Kirschbaum

(51) **LOC (11) Cl.** ..... **10-05**

*Assistant Examiner* — Joseph J Kukella

(52) **U.S. Cl.**  
USPC ..... **D10/118.2**

(74) *Attorney, Agent, or Firm* — Volpe and Koenig, P.C.

(58) **Field of Classification Search**  
USPC ..... D10/104.1, 108, 116.1, 118, 118.2,  
D10/121–126; D16/202, 203, 208, 209,  
D16/215

(57) **CLAIM**

CPC ... G08B 3/00; G08B 3/10; G08B 7/00; G08B 7/06

The ornamental design for a camera equipped network door station, as shown and described.

See application file for complete search history.

**DESCRIPTION**

(56) **References Cited**

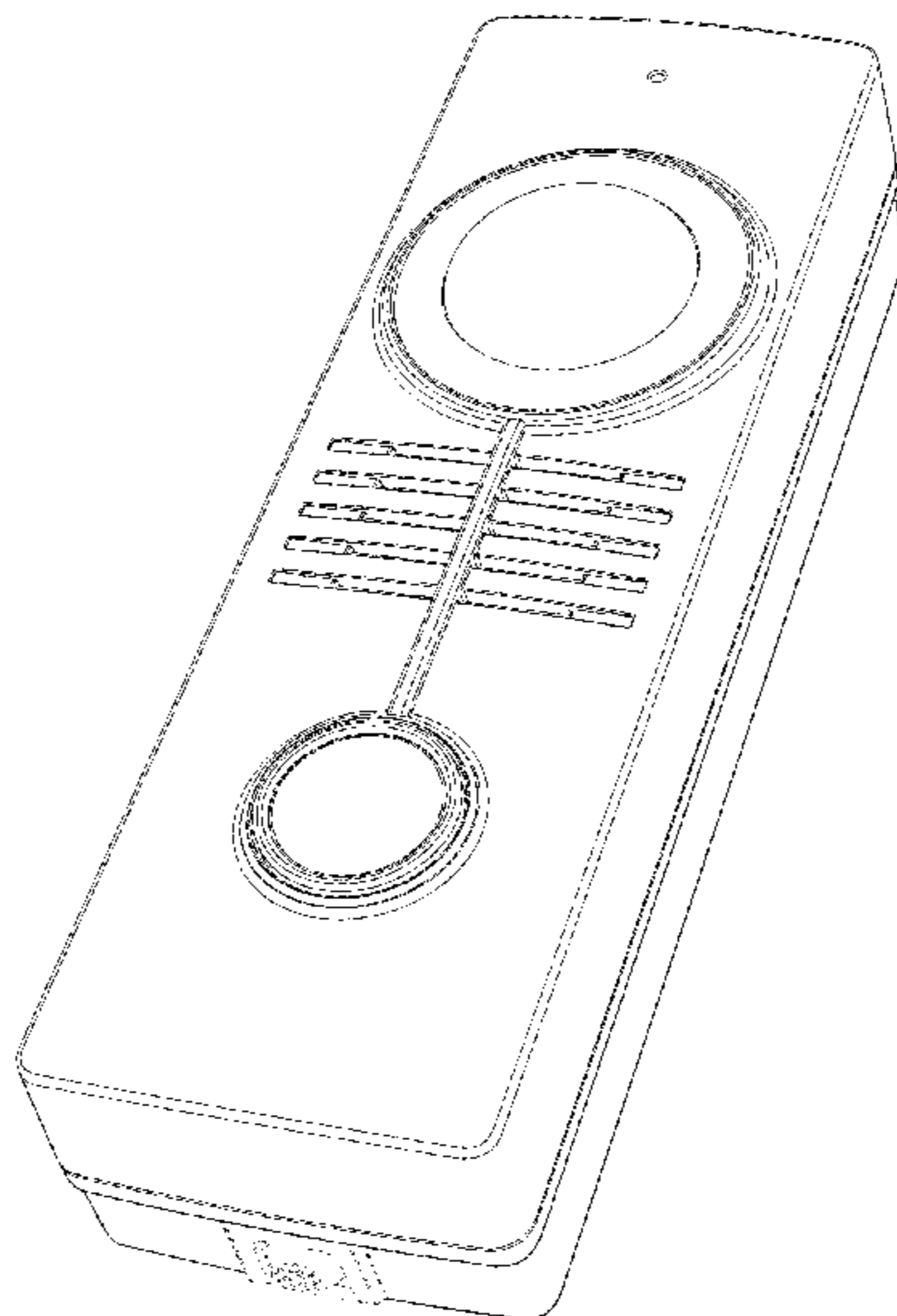
U.S. PATENT DOCUMENTS

D764,958 S \* 8/2016 Scalisi ..... D10/118.2  
D765,530 S \* 9/2016 Scalisi ..... D10/118.2  
D787,359 S \* 5/2017 Scalisi ..... D10/118.2  
D789,820 S \* 6/2017 Siminoff ..... D10/118.2  
D793,268 S \* 8/2017 Ye ..... D10/118.2

FIG. 1 is a perspective view of a camera equipped network door station showing our new design;  
FIG. 2 is a front elevational view thereof;  
FIG. 3 is a right side view thereof;  
FIG. 4 is a left side view thereof;  
FIG. 5 is a rear elevational view thereof;  
FIG. 6 is a bottom plan view thereof; and,  
FIG. 7 is a top plan view thereof.

The parts shown with broken lines are not considered to be part of the claimed design.

**1 Claim, 5 Drawing Sheets**



(56)

**References Cited**

OTHER PUBLICATIONS

SSS Siedle Modular door Station/for video intercoms/ outdoor Vario SSS Siedle, The Online Architecture and Design Exhibition, <http://www.archiexpo.com/prod/sss-siedle/modular-door-stations-video-intercoms>.

Aiphone JKS-1AD Audio/Video Single-Door Intercom Set, Includes Master S Power Supply and Surface-Mount Door Station.

\* cited by examiner

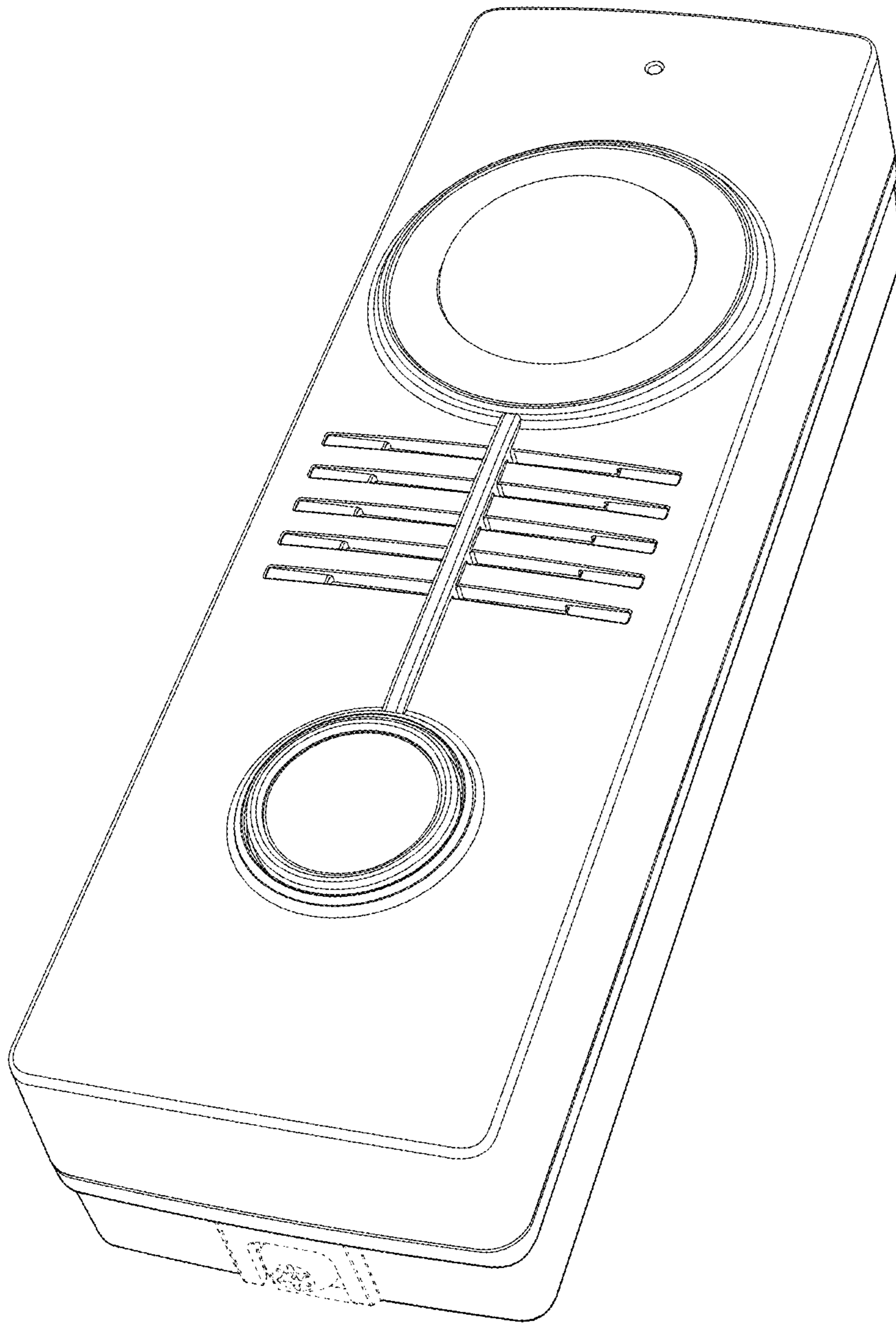


Figure 1

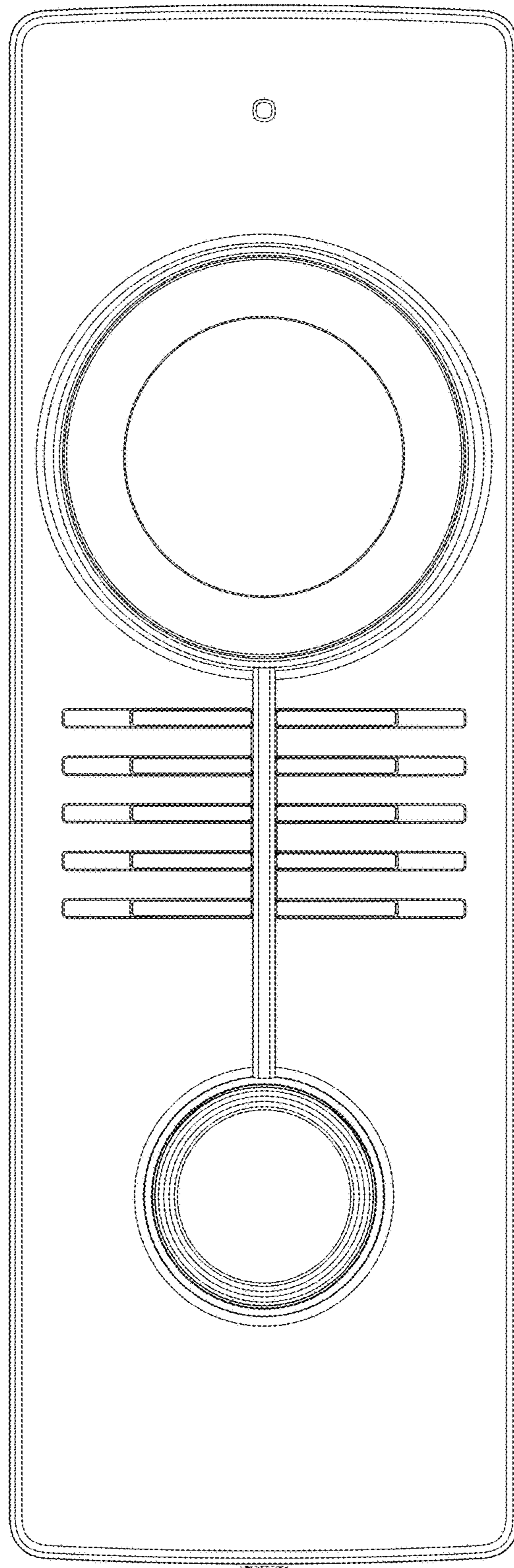


Figure 2



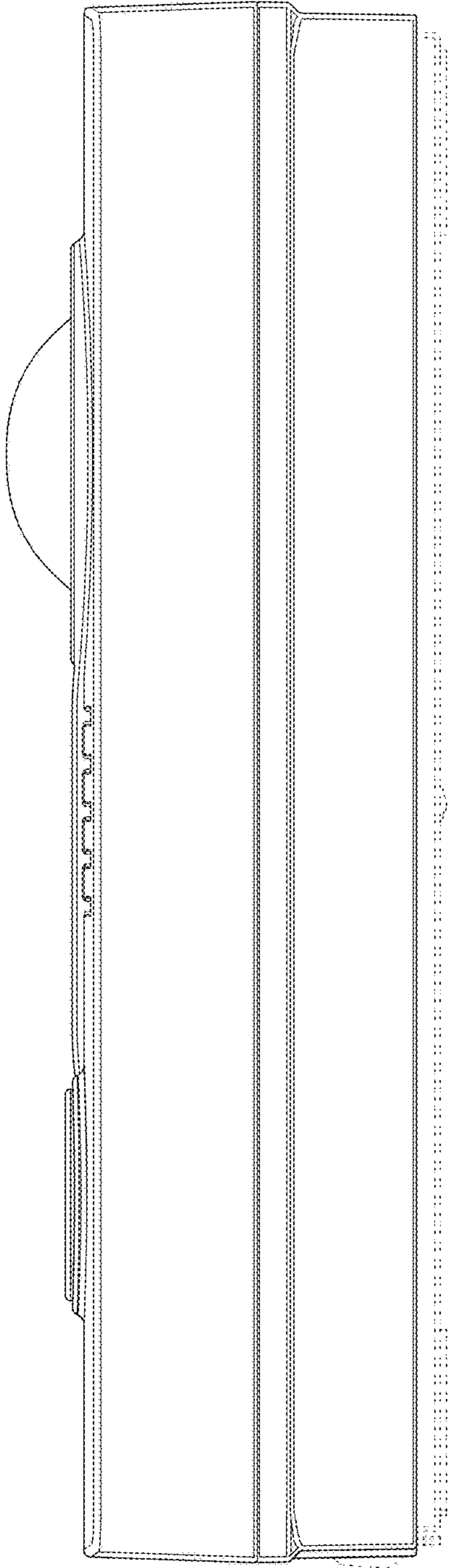


Figure 3

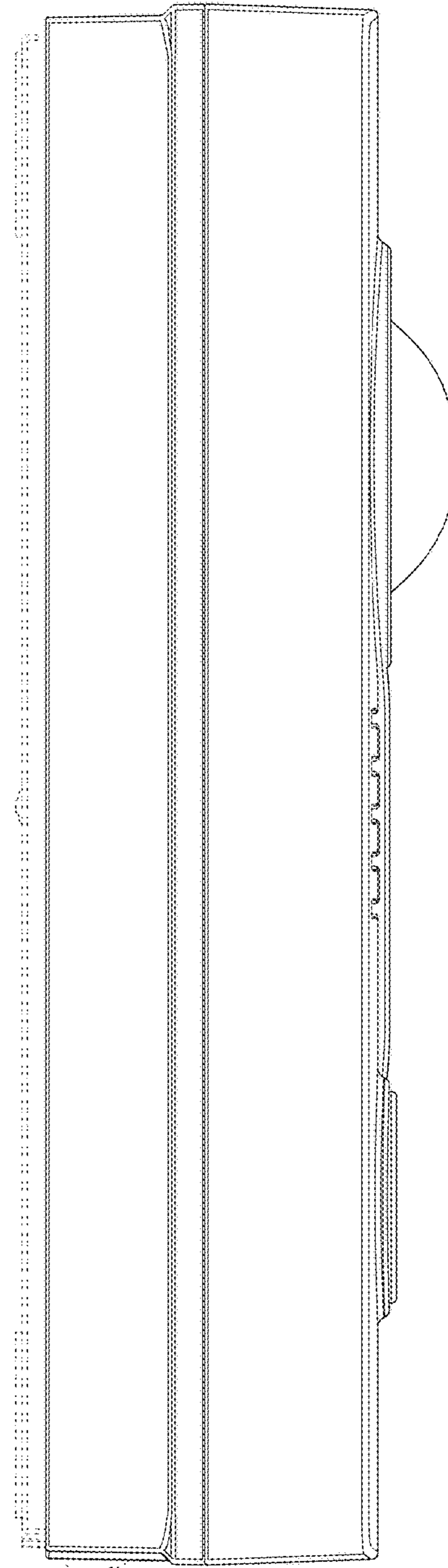


Figure 4

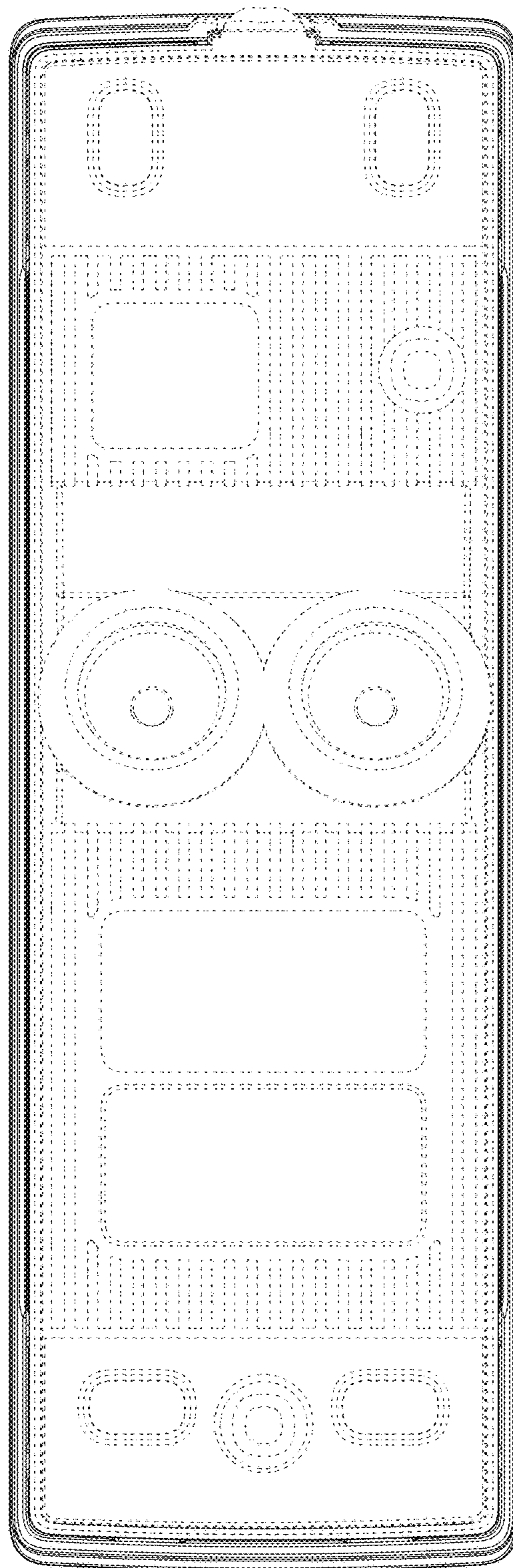
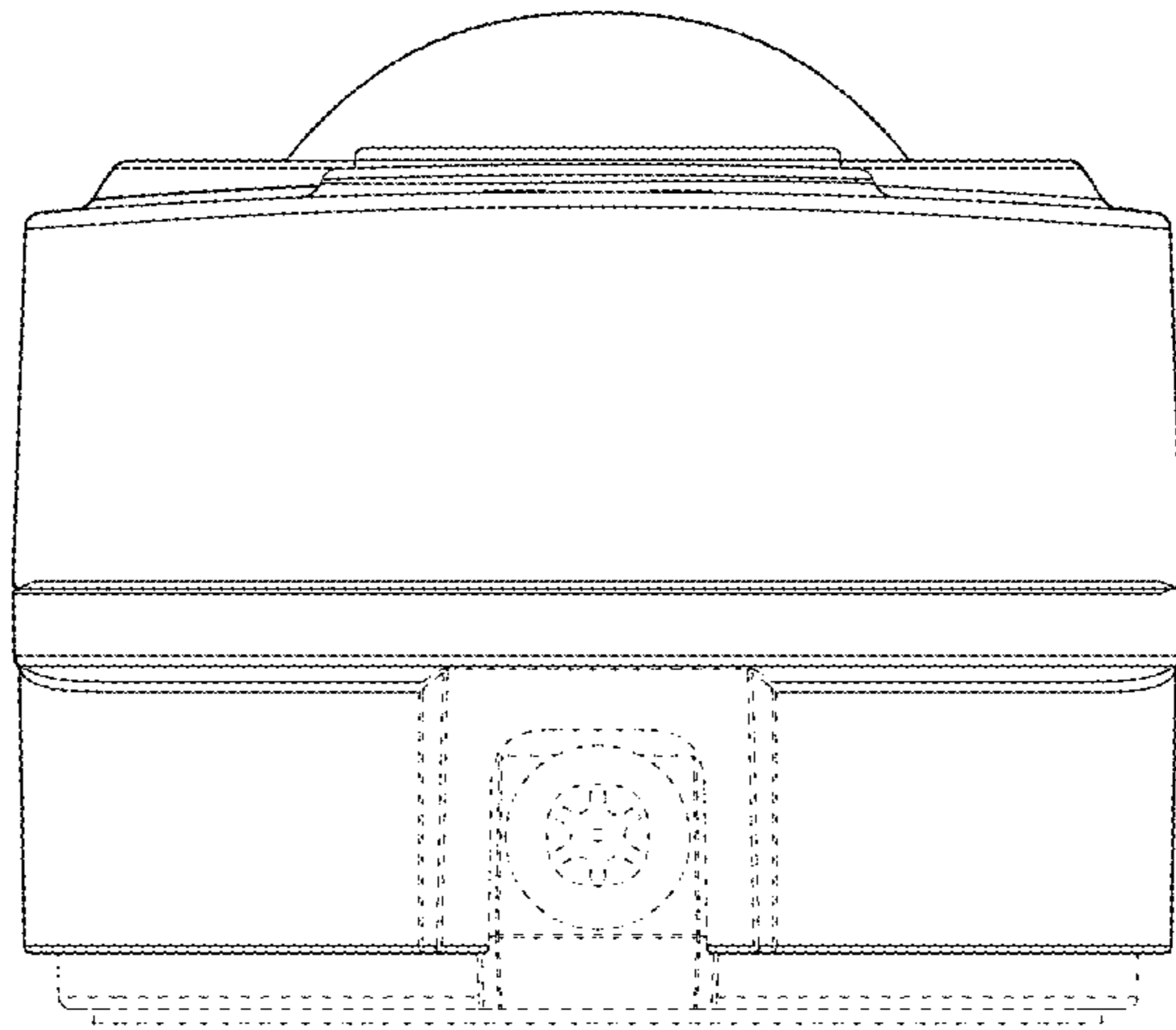
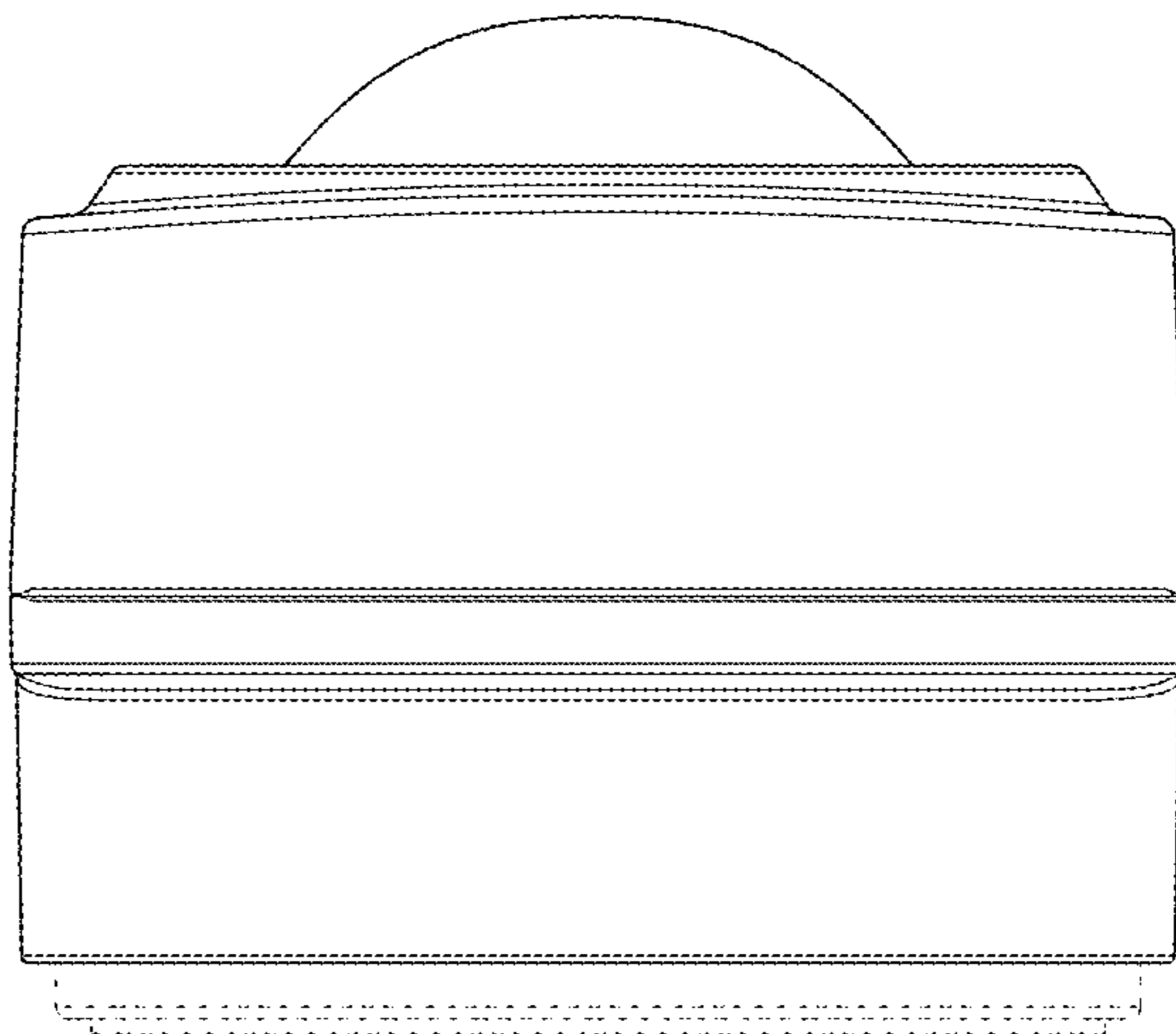


Figure 5



*Figure 6*



*Figure 7*