



US00D828198S

(12) **United States Design Patent** (10) **Patent No.:** **US D828,198 S**  
**Fisher** (45) **Date of Patent:** **\*\* Sep. 11, 2018**

(54) **TEAR-DROP SHAPED TAG FOR USE IN A WIRELESS TRACKING SYSTEM**  
(71) Applicant: **Wiser Systems, Inc.**, Raleigh, NC (US)  
(72) Inventor: **Scott Fisher**, Raleigh, NC (US)  
(73) Assignee: **Wiser Systems, Inc.**, Raleigh, NC (US)  
(\*\*) Term: **15 Years**  
(21) Appl. No.: **29/590,897**  
(22) Filed: **Jan. 13, 2017**  
(51) **LOC (11) Cl.** ..... **10-05**  
(52) **U.S. Cl.**  
USPC ..... **D10/106.9**  
(58) **Field of Classification Search**  
USPC ..... D10/65, 70, 104.1, 106.1, 106.9, 106.91,  
D10/106.92, 106.93, 121; D14/137, 230,  
D14/496  
CPC ..... G08B 21/00; G08B 21/0261; G08B  
21/0275; G08B 13/14; G08B 13/2434;  
G09F 3/08  
See application file for complete search history.

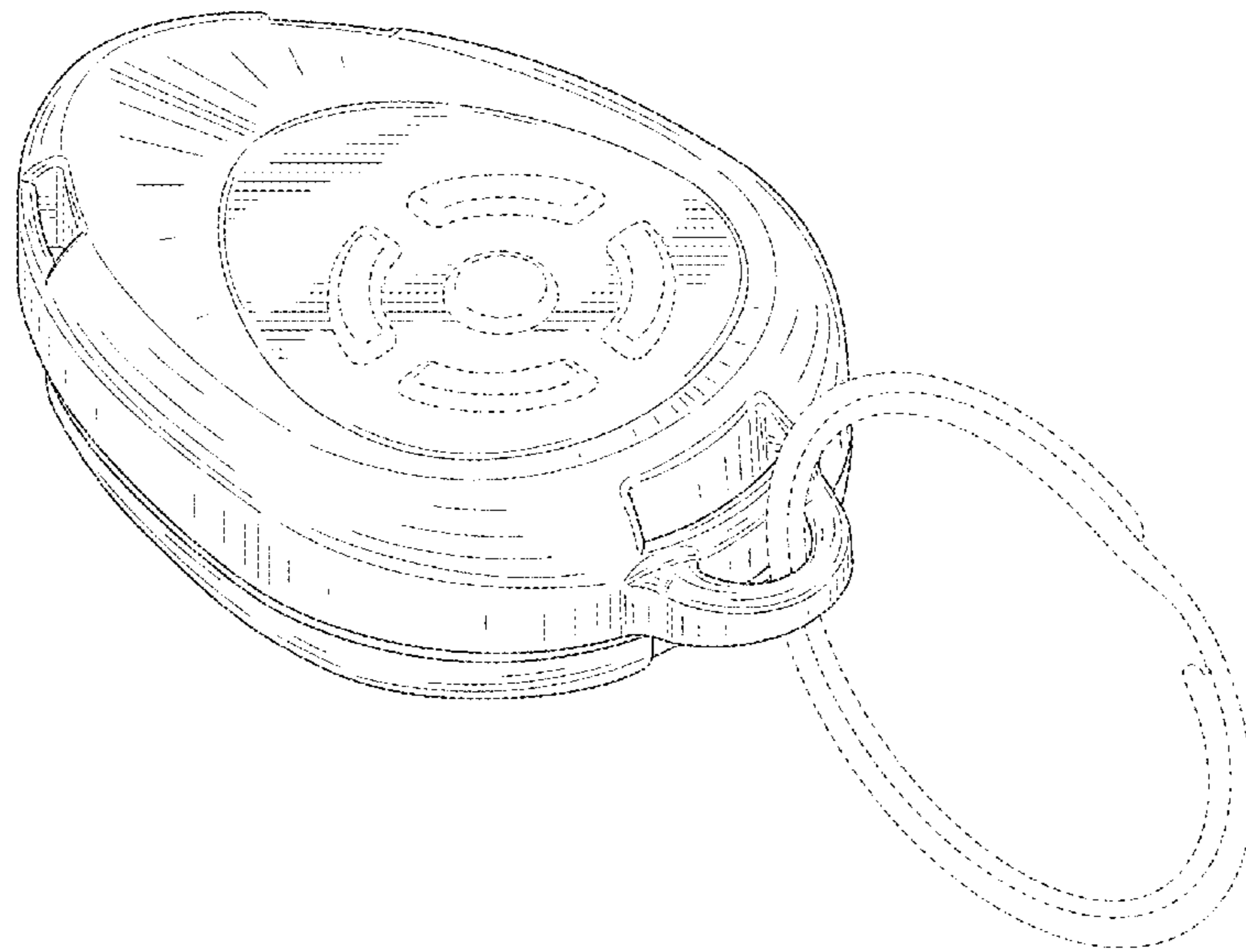
(56) **References Cited**  
U.S. PATENT DOCUMENTS  
D375,909 S \* 11/1996 Dziarsk ..... D10/106.1  
D423,462 S \* 4/2000 Jimenez ..... D10/104.1  
D459,314 S \* 6/2002 Flick ..... D10/104.1  
D461,457 S \* 8/2002 Lin ..... D10/104.1  
D461,458 S \* 8/2002 Lin ..... D10/104.1  
D463,991 S \* 10/2002 Curry ..... D10/104.1  
(Continued)

*Primary Examiner* — George D. Kirschbaum  
*Assistant Examiner* — Joseph J. Kukella  
(74) *Attorney, Agent, or Firm* — Ward and Smith, P.A.

(57) **CLAIM**  
The ornamental design for a tear-drop shaped tag for use in a wireless tracking system, as shown and described.

**DESCRIPTION**  
FIG. 1 is a front perspective view of a tag showing my design;  
FIG. 2 is a rear perspective view of the tag;  
FIG. 3 is a bottom perspective view of the tear-drop shaped tag;  
FIG. 4 is a top view of the tag;  
FIG. 5 is a bottom view thereof, opposite the top view of FIG. 4;  
FIG. 6 is a first side view thereof;  
FIG. 7 is a second side view thereof, opposite that shown in FIG. 6;  
FIG. 8 is another side view thereof, 90 degrees offset from that shown in FIG. 6;  
FIG. 9 is another side view thereof, opposite that shown in FIG. 8;  
FIG. 10 is an exemplary environmental view illustrating the tear-drop shaped tag attached to a key ring according to some embodiments of the present invention;  
FIG. 11 is a front perspective view of a tag showing my design;  
FIG. 12 is a rear perspective view of the tag;  
FIG. 13 is a bottom perspective view of the tear-drop shaped tag;  
FIG. 14 is a top view of the tag;  
FIG. 15 is a bottom view thereof, opposite the top view of FIG. 14;  
FIG. 16 is a first side view thereof;  
FIG. 17 is a second side view thereof, opposite that shown in FIG. 16;  
FIG. 18 is another side view thereof, 90 degrees offset from that shown in FIG. 16; and,  
FIG. 19 is another side view thereof, opposite that shown in FIG. 18.  
In the drawings, the broken lines depict environmental subject matter only and form no part of the claimed design.

**1 Claim, 11 Drawing Sheets**



(56)

**References Cited**

U.S. PATENT DOCUMENTS

D484,820	S	*	1/2004	Hohn	.....	D10/106.1
D508,862	S	*	8/2005	Behar	.....	D10/104.1
D538,192	S	*	3/2007	Martin	.....	D10/106.1
D574,282	S	*	8/2008	Hill	.....	D10/104.1
D593,451	S	*	6/2009	Sayegh	.....	D10/106.91
D598,797	S	*	8/2009	Aikawa	.....	D10/104.1
D647,810	S	*	11/2011	Bohrer	.....	D10/106.9

\* cited by examiner

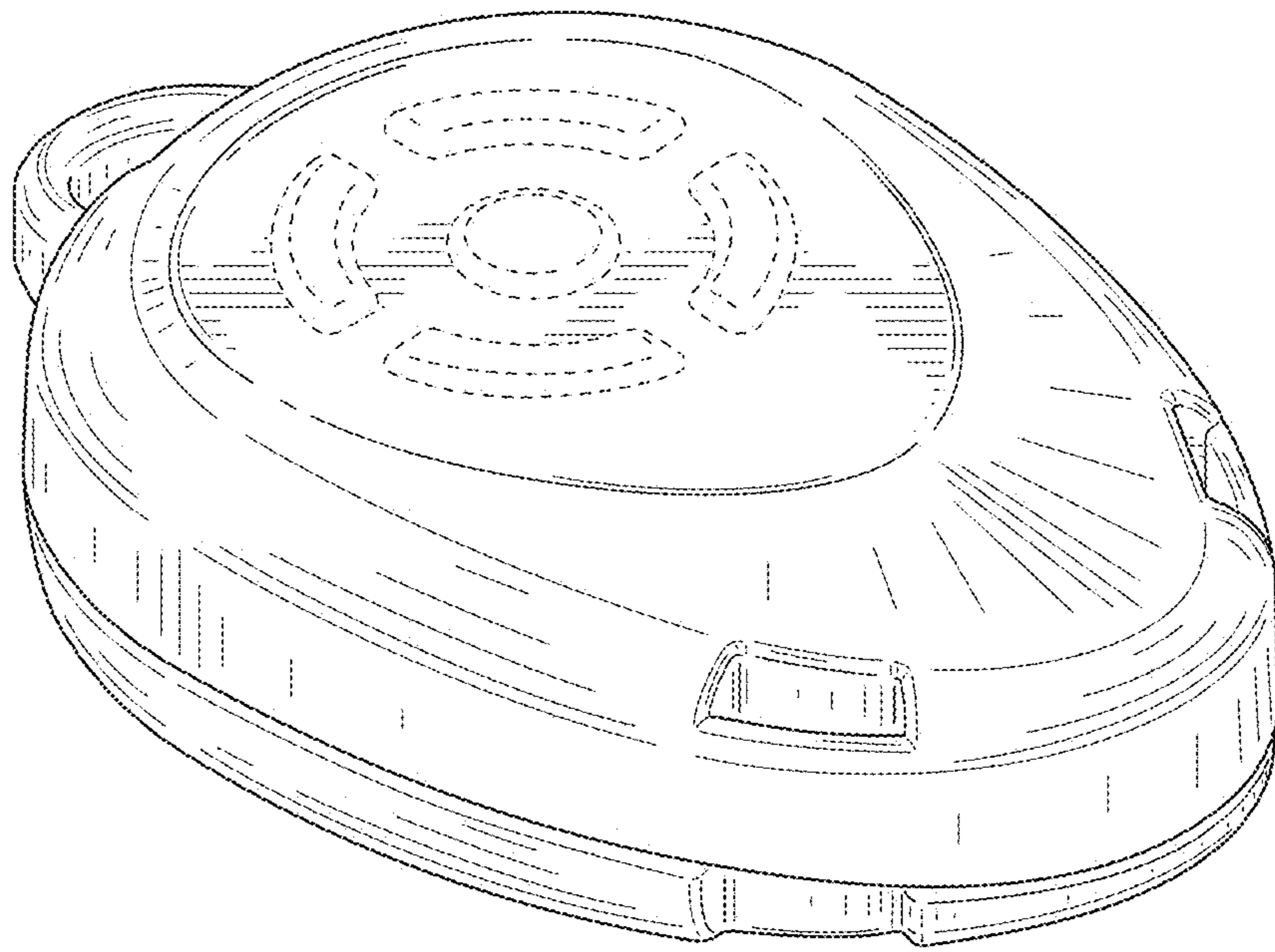


FIG. 1

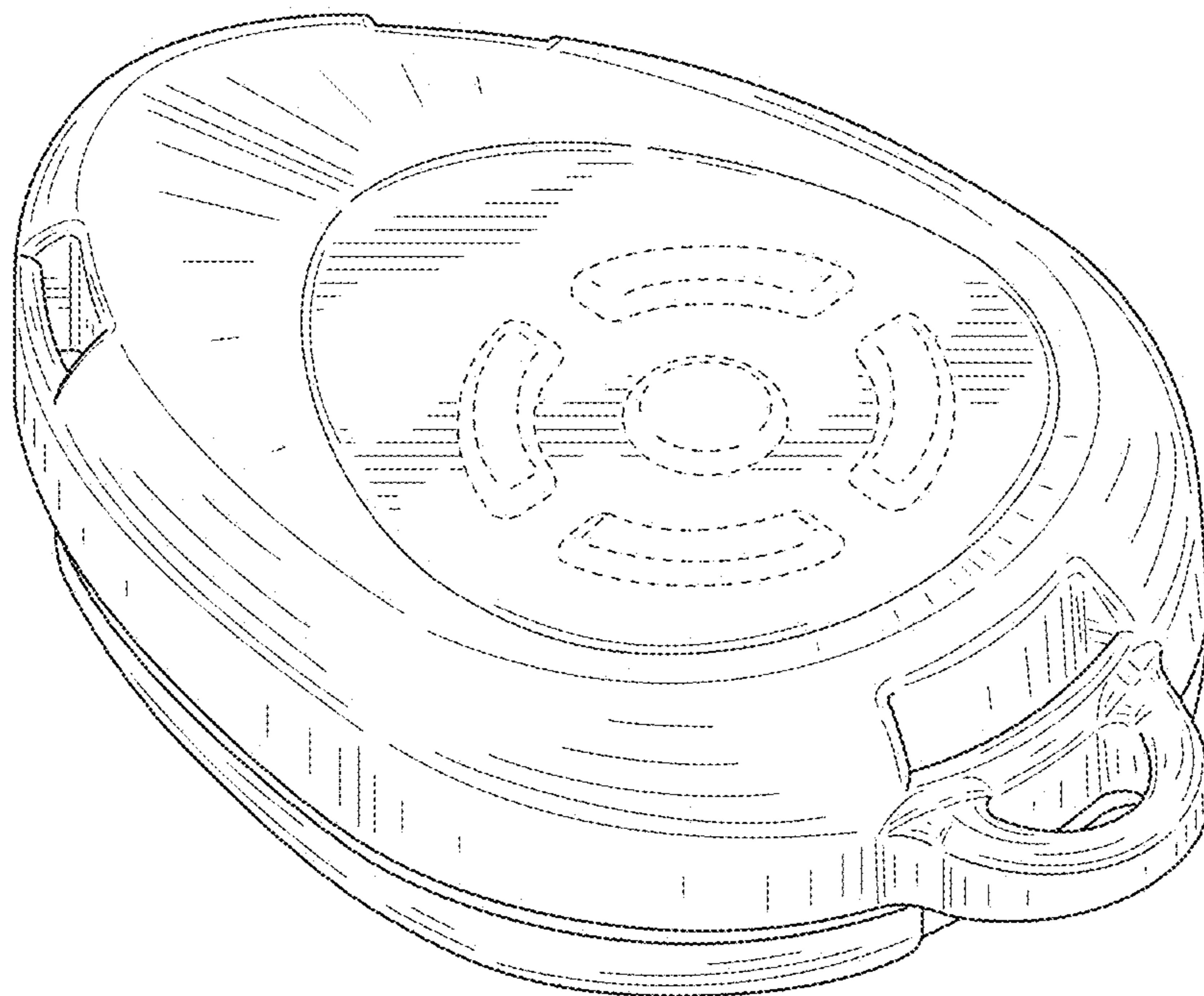


FIG. 2

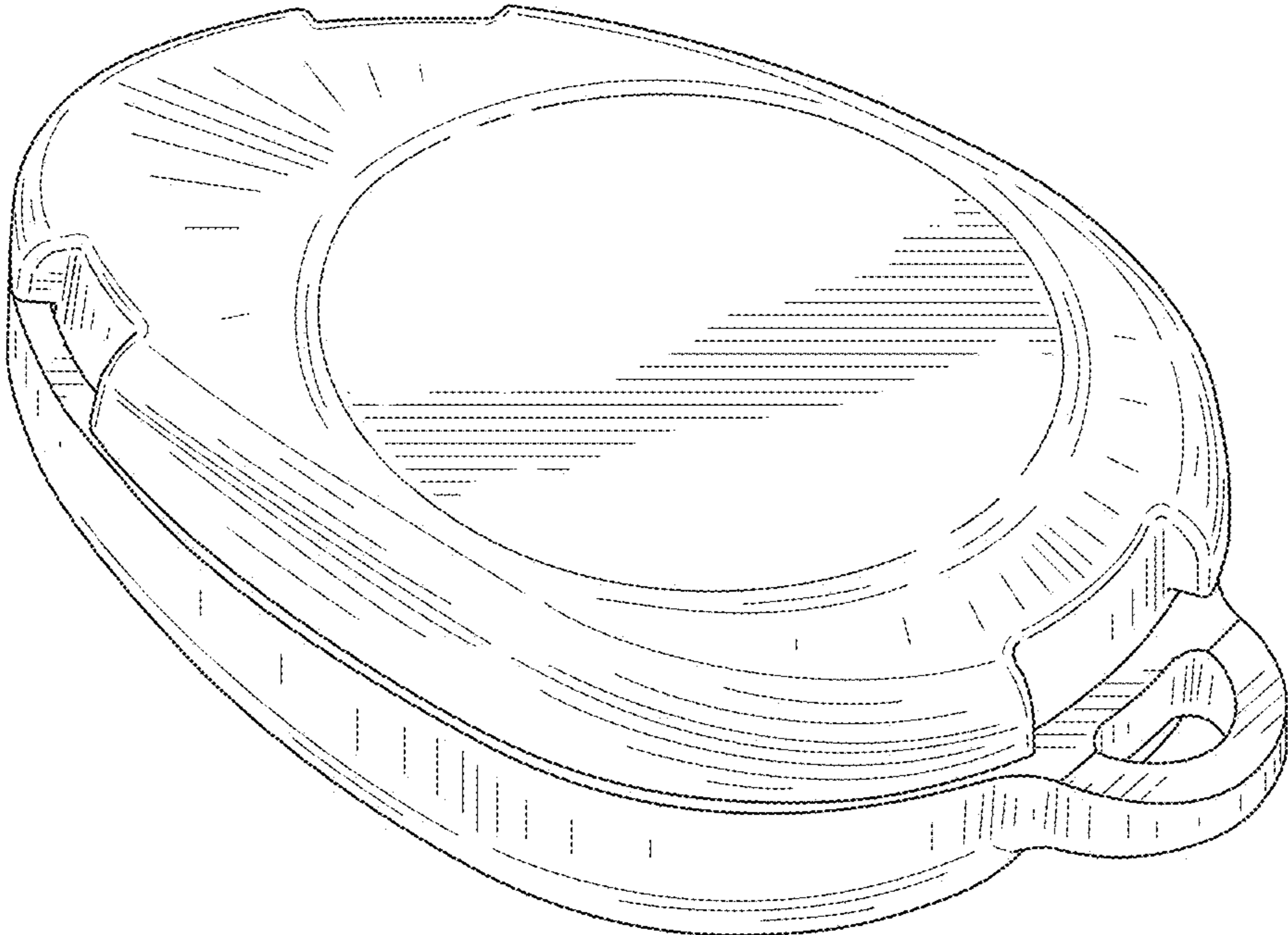


FIG. 3

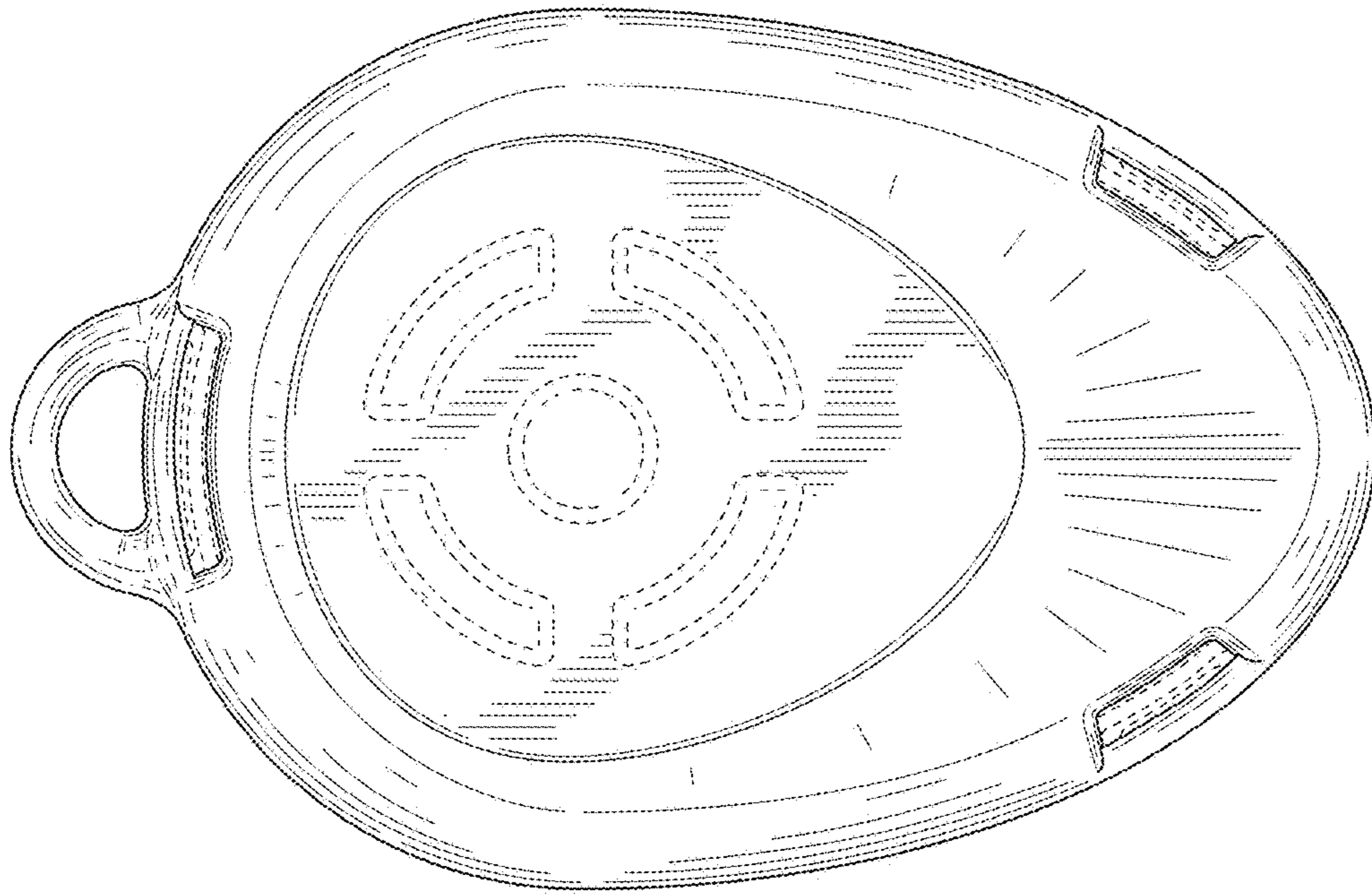


FIG. 4

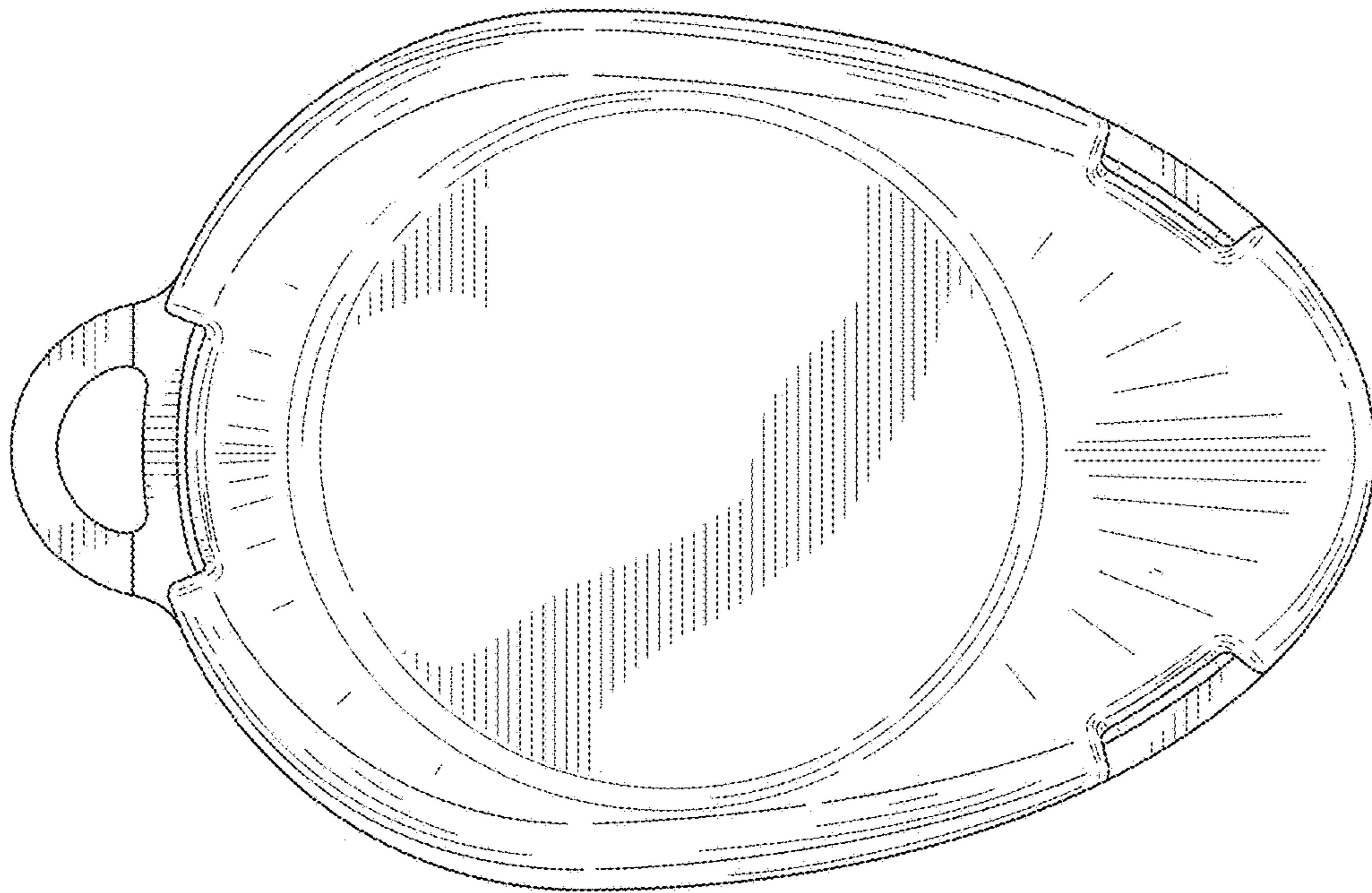


FIG. 5

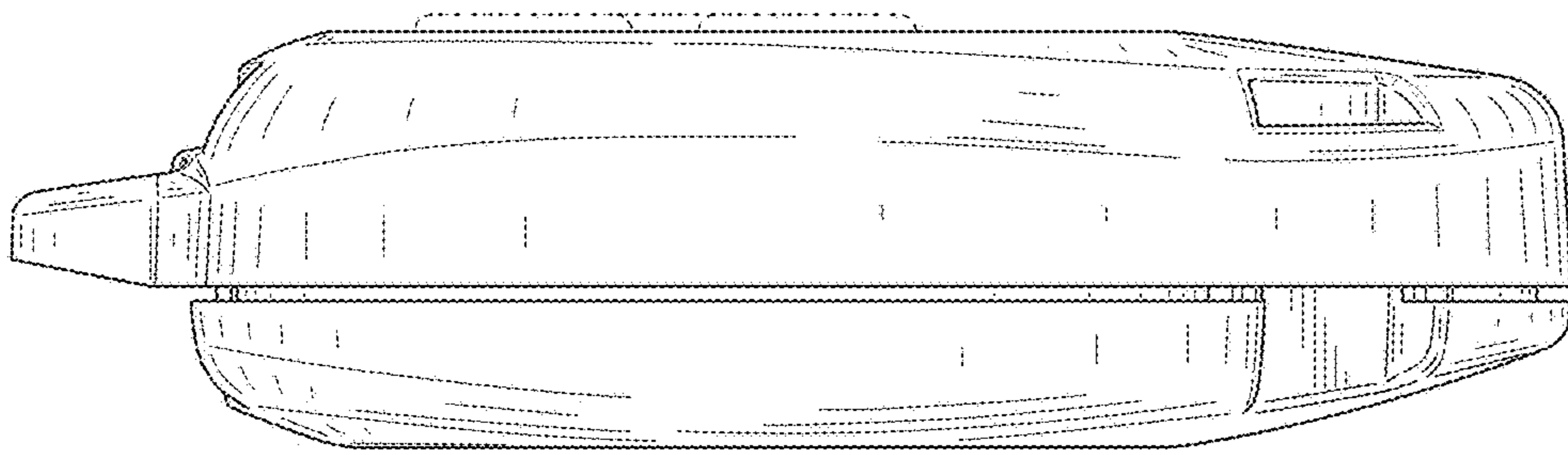


FIG. 6

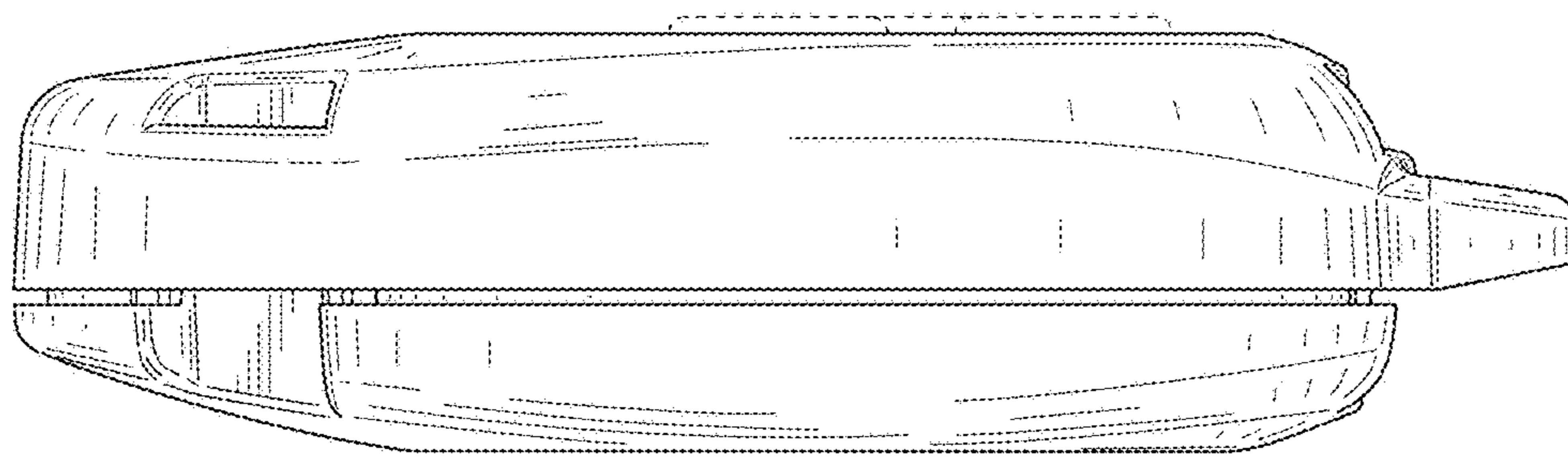


FIG. 7

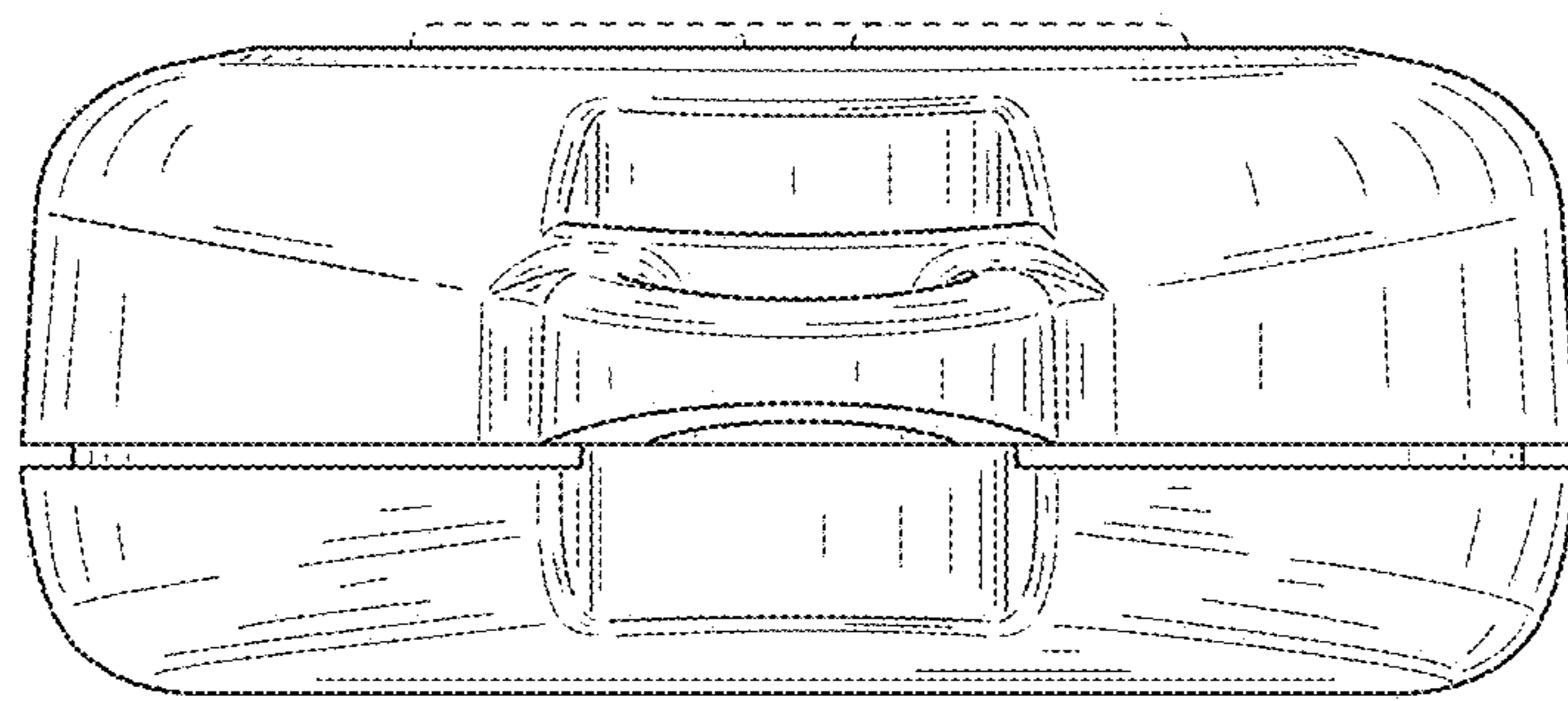


FIG. 8

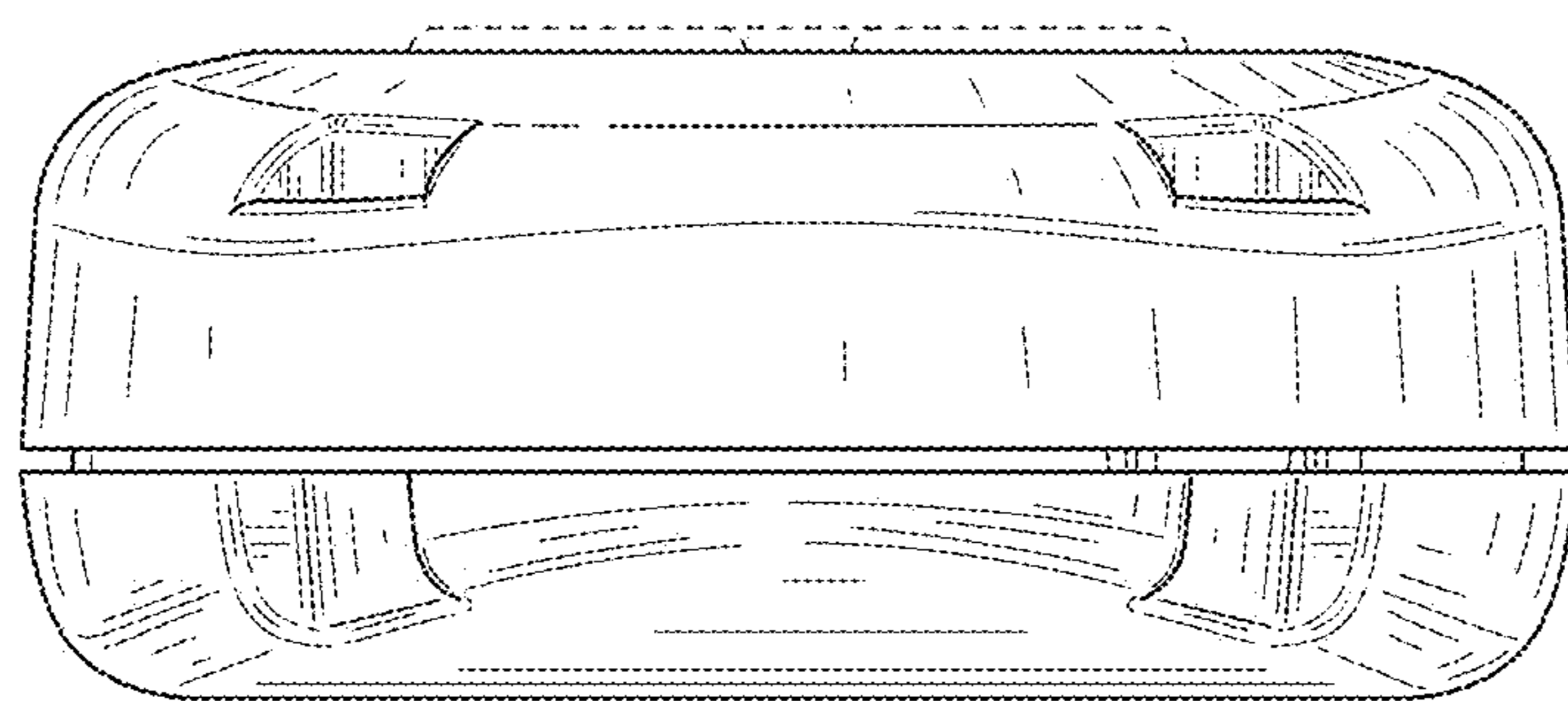


FIG. 9

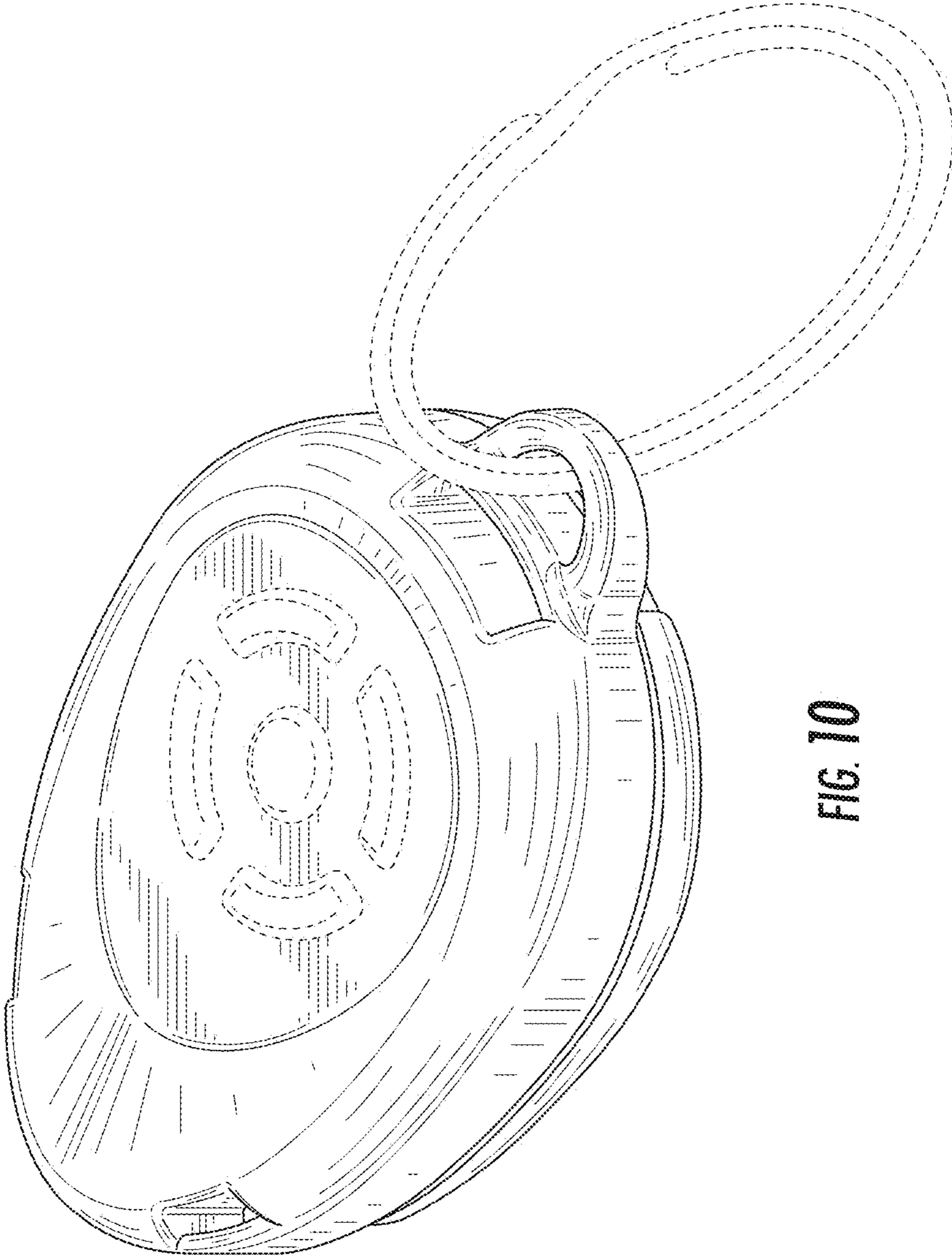


FIG. 10



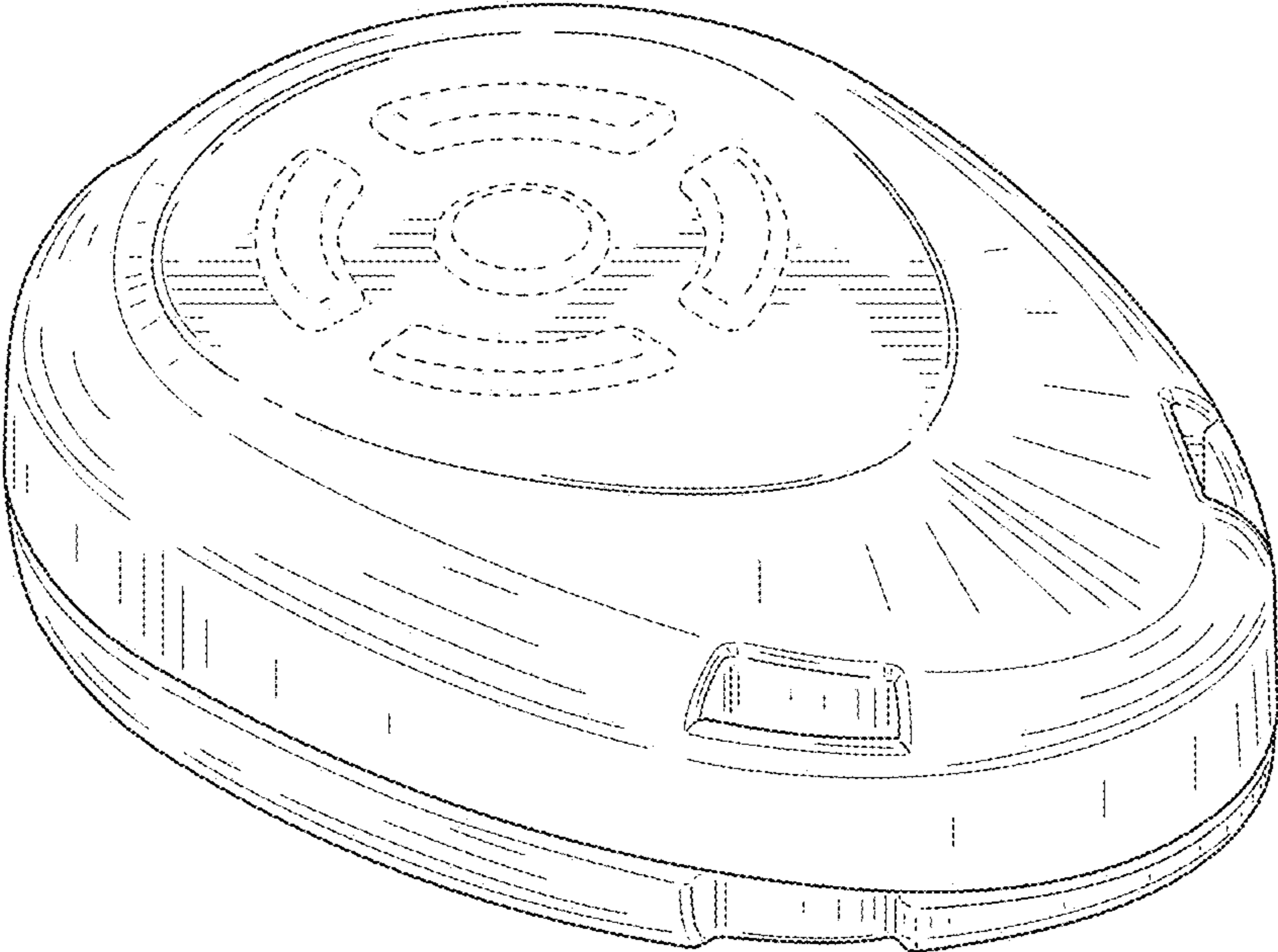


FIG. 11

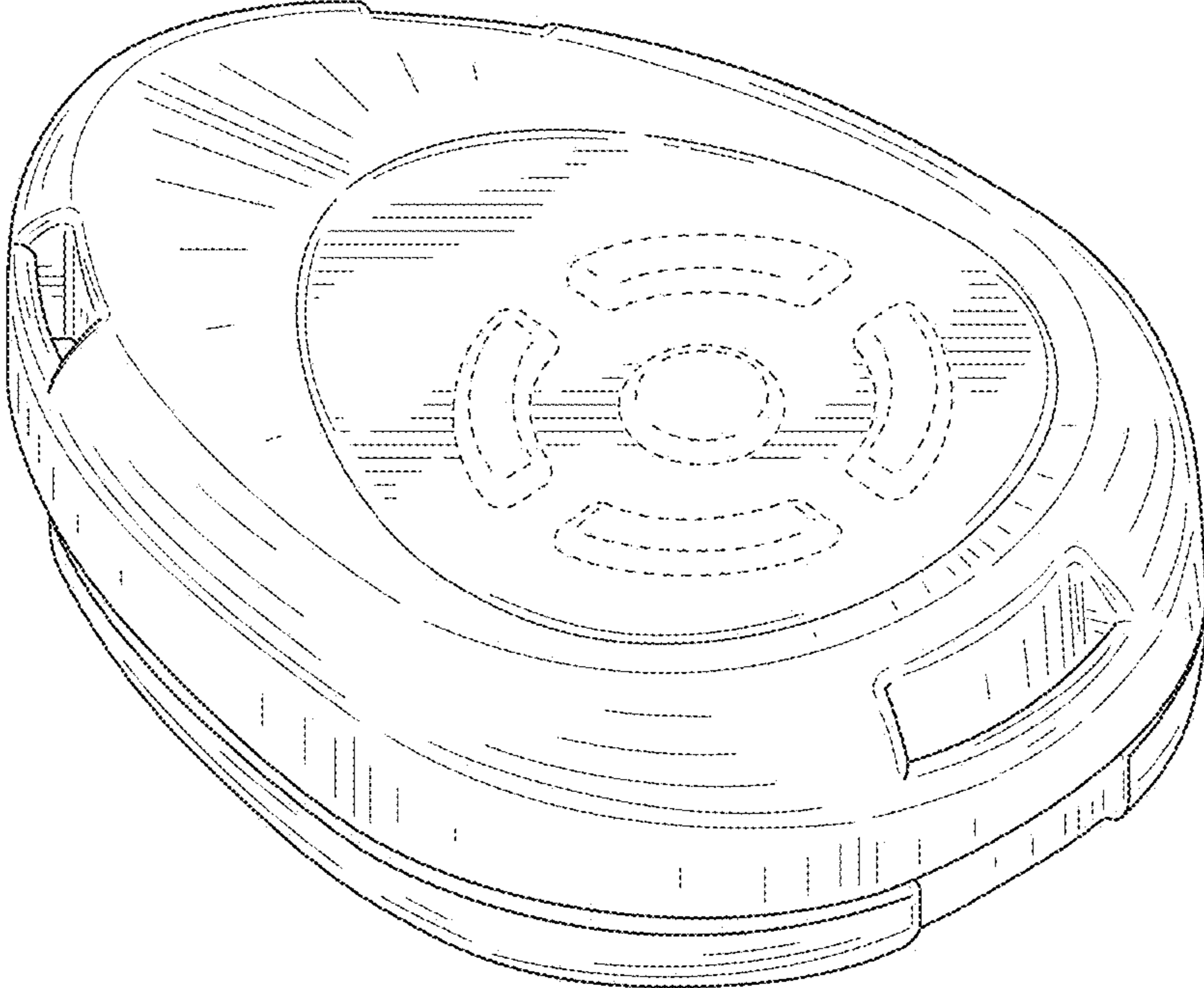


FIG. 12

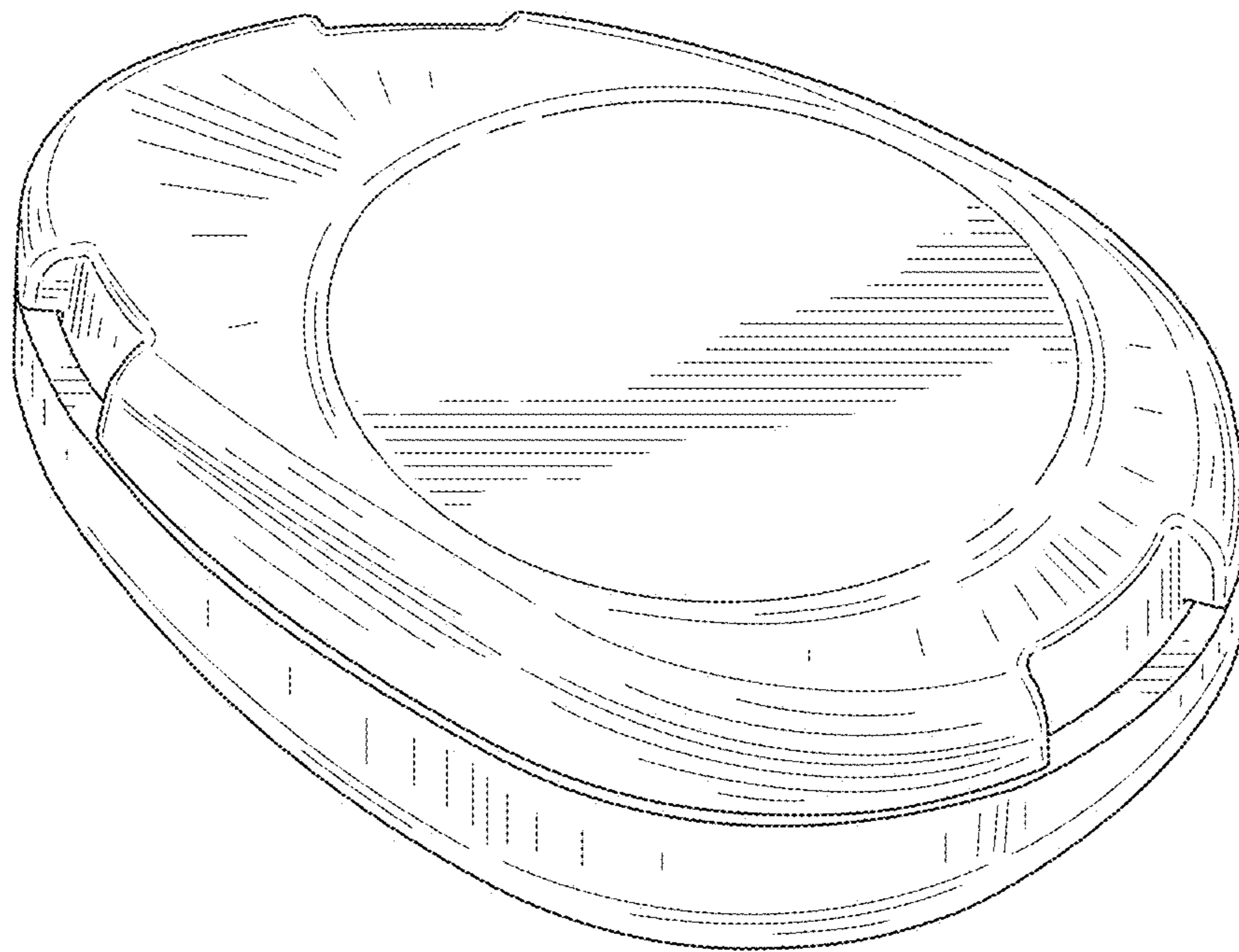


FIG. 13

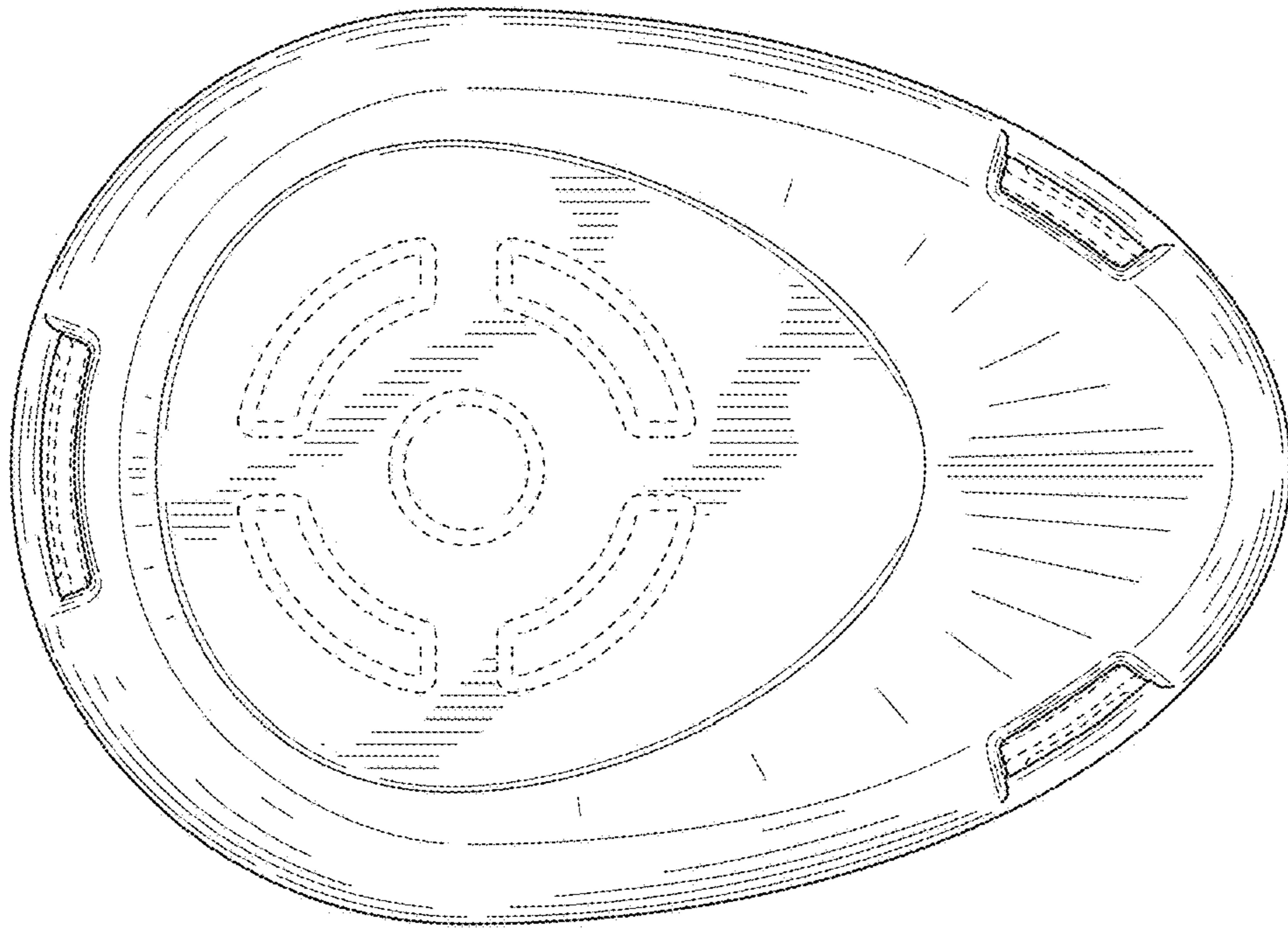


FIG. 14

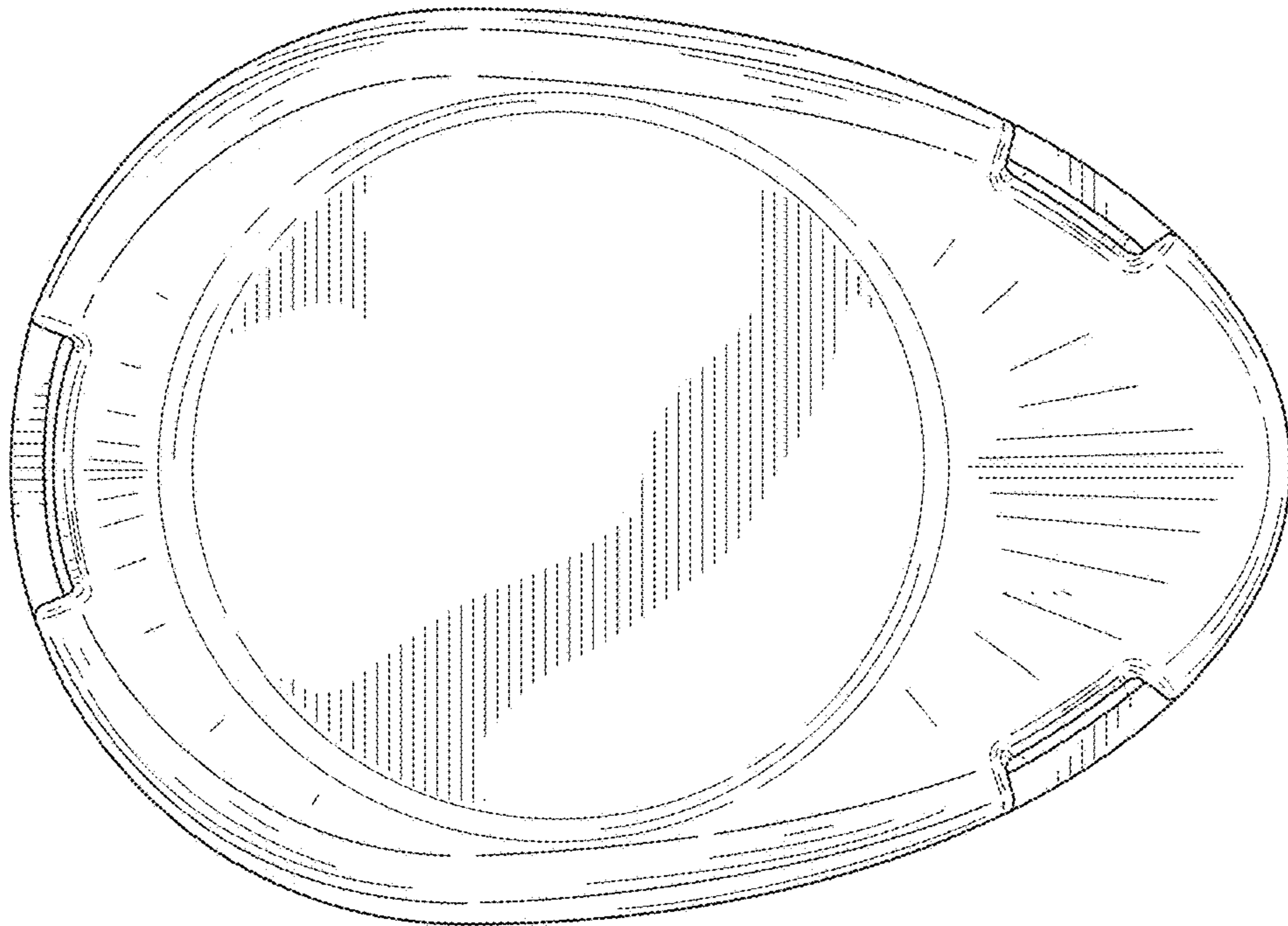


FIG. 15

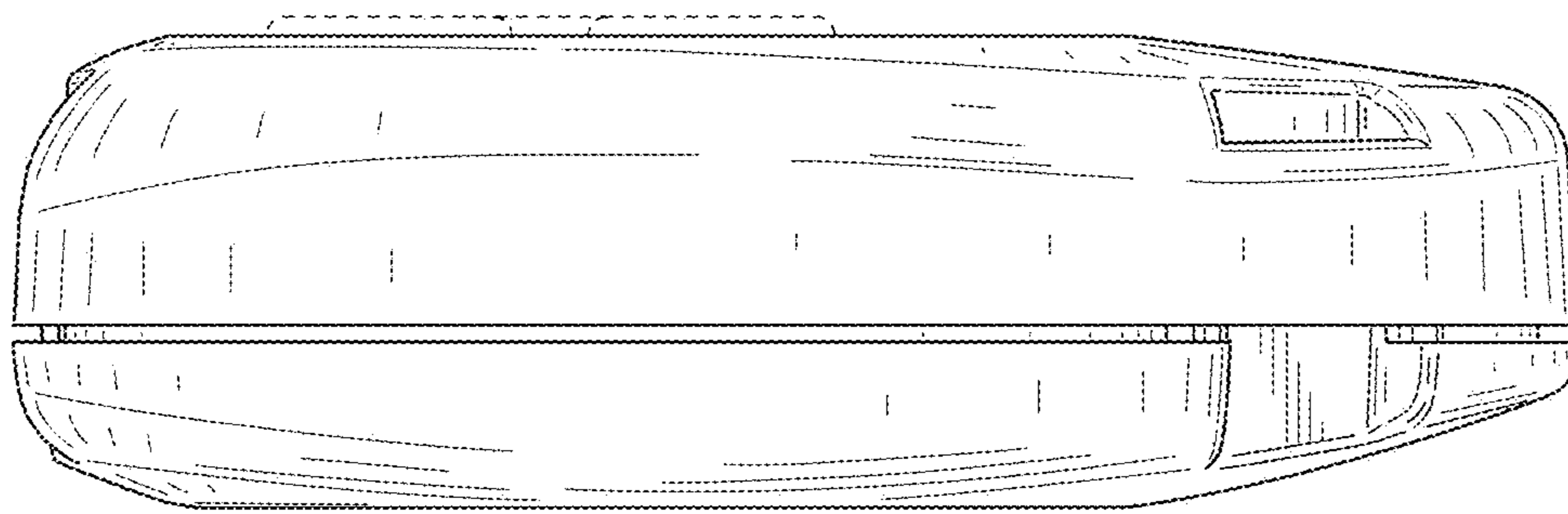


FIG. 16

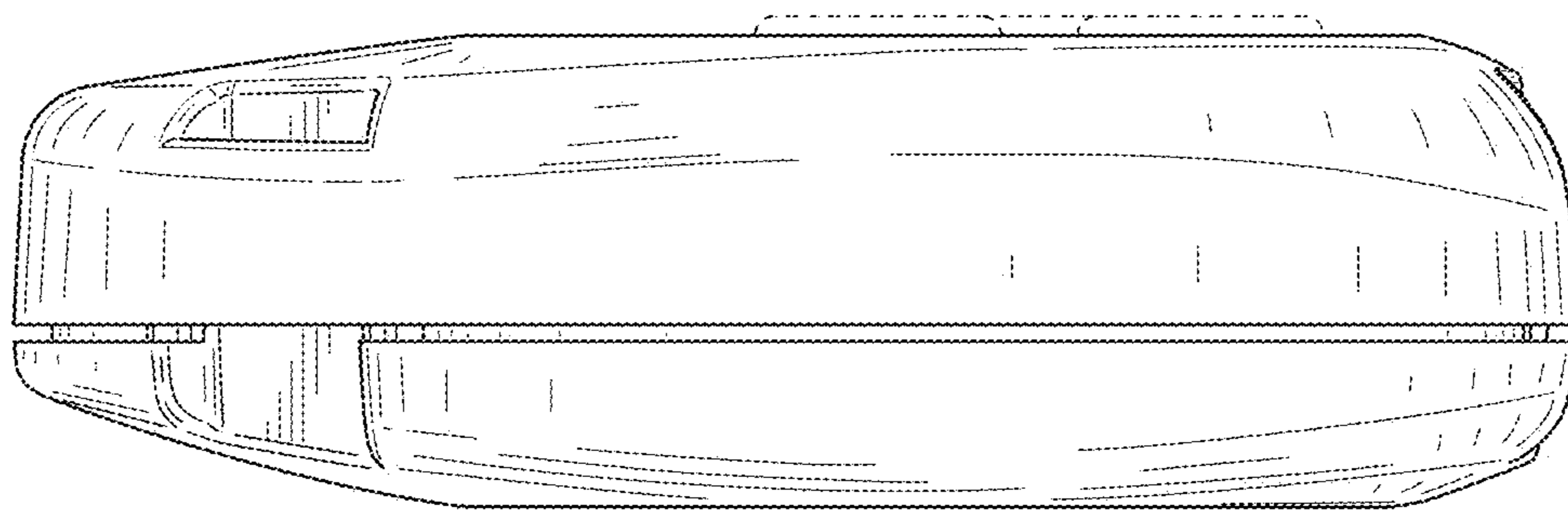
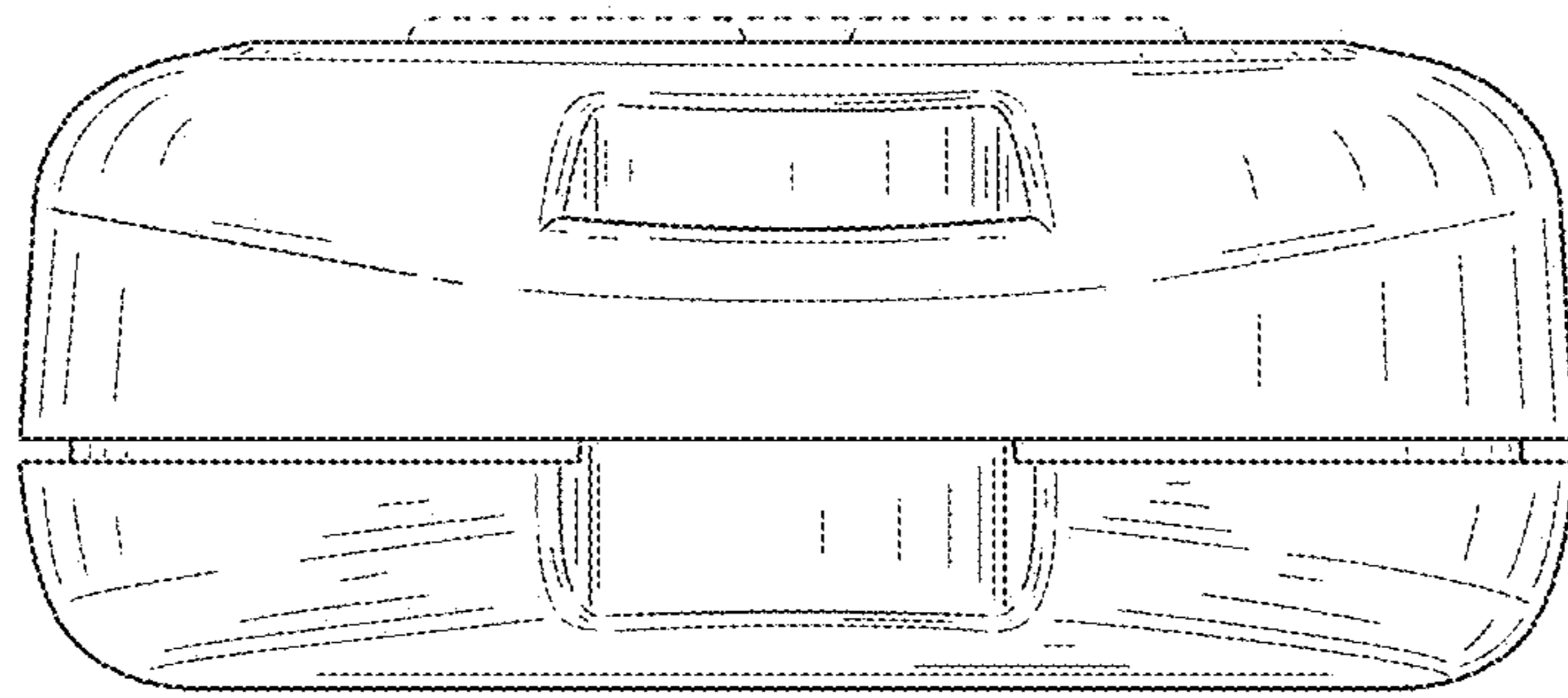
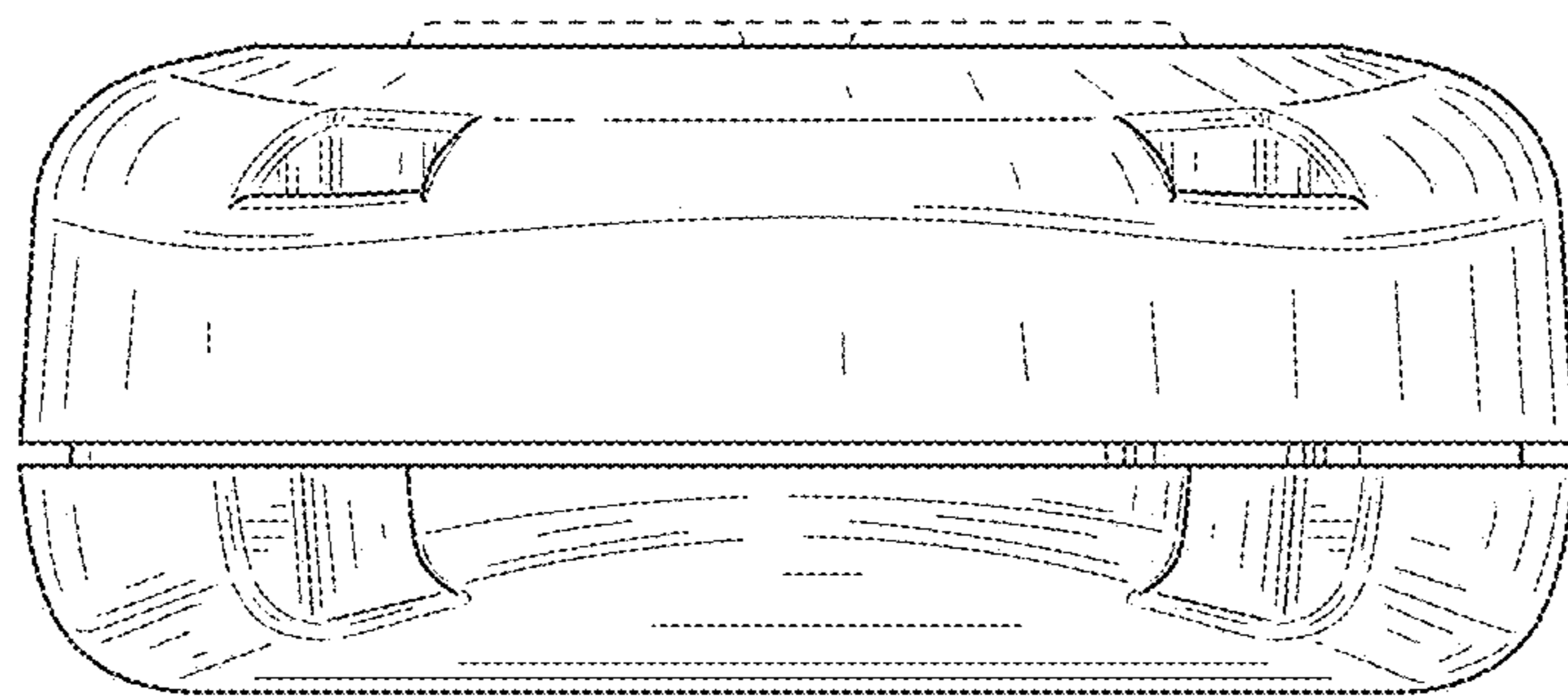


FIG. 17



**FIG. 18**



**FIG. 19**