



US00D828197S

(12) **United States Design Patent**  
**Tschudin et al.**

(10) **Patent No.:** **US D828,197 S**  
(45) **Date of Patent:** **\*\* Sep. 11, 2018**

(54) **MEASURING APPARATUS**

G01M 3/2892; G01M 3/30; G01P 13/00;  
G01P 13/0006; G01P 13/006

See application file for complete search history.

(71) Applicant: **Endress+Hauser Flowtec AG**, Reinach  
(CH)

(56) **References Cited**

U.S. PATENT DOCUMENTS

(72) Inventors: **Beat Tschudin**, Reinach (CH);  
**Jean-Claude Chevrolet**, Aesch (CH);  
**Martin Schultheiss**, Schwäbisch  
Gmünd (DE)

D365,771	S	*	1/1996	Clivio	.....	D10/96
5,654,505	A	*	8/1997	Jiles	.....	G01F 15/14 285/30
6,952,960	B2	*	10/2005	Nozoe	.....	F15D 1/001 73/204.21
7,490,625	B1	*	2/2009	Johnson	.....	G01M 3/3236 137/596.16
8,127,622	B2	*	3/2012	Kawakami	.....	G01F 1/58 73/861.12
D698,678	S	*	2/2014	Varini	.....	D10/96
D701,131	S	*	3/2014	Kurisaki	.....	D10/96
9,109,933	B2	*	8/2015	Fukano	.....	G01F 1/588
9,261,426	B2	*	2/2016	Penza	.....	G01M 3/2815
9,696,195	B2	*	7/2017	Ishikawa	.....	G01F 1/662

(73) Assignee: **Endress+Hauser Flowtec AG**, Reinach  
(CH)

(\*\*) Term: **15 Years**

\* cited by examiner

(21) Appl. No.: **29/602,765**

*Primary Examiner* — Antoine Duval Davis

(22) Filed: **May 3, 2017**

(74) *Attorney, Agent, or Firm* — Christopher R. Powers;  
PatServe

(30) **Foreign Application Priority Data**

Nov. 7, 2016 (EM) ..... 003451574

(57) **CLAIM**

(51) **LOC (11) Cl.** ..... **10-04**

The ornamental design for a measuring apparatus, as shown and described.

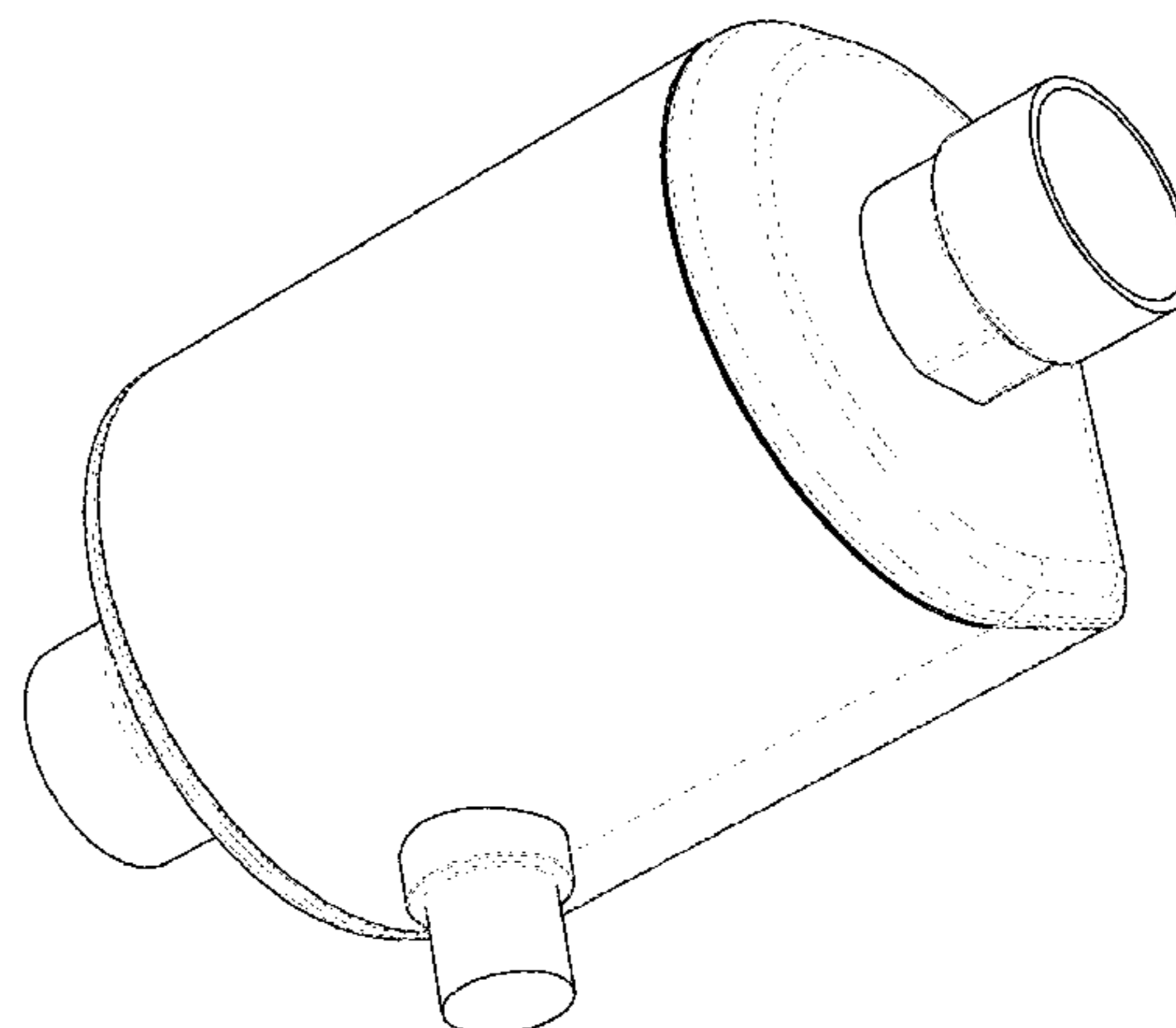
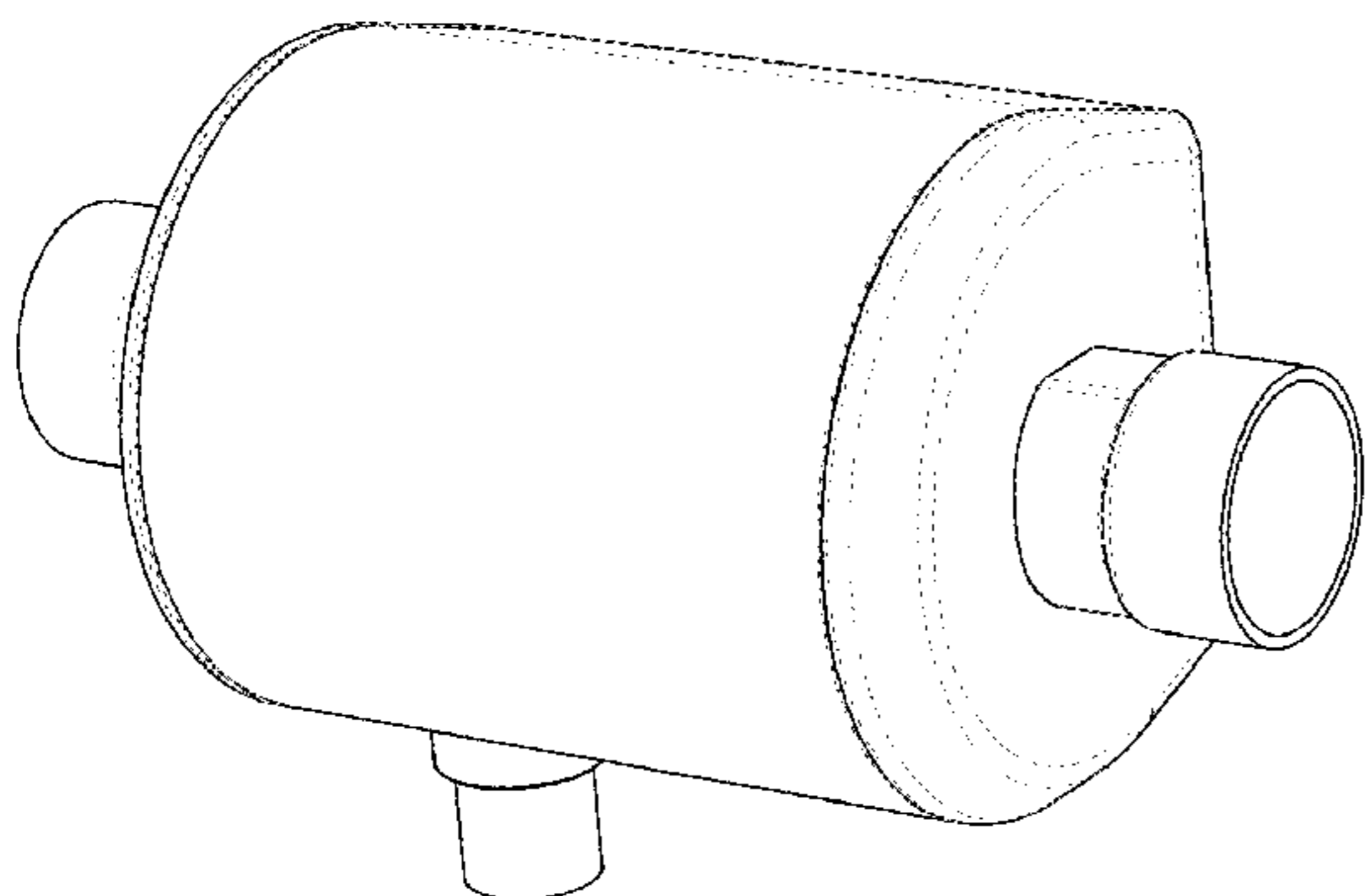
(52) **U.S. Cl.**  
USPC ..... **D10/96**

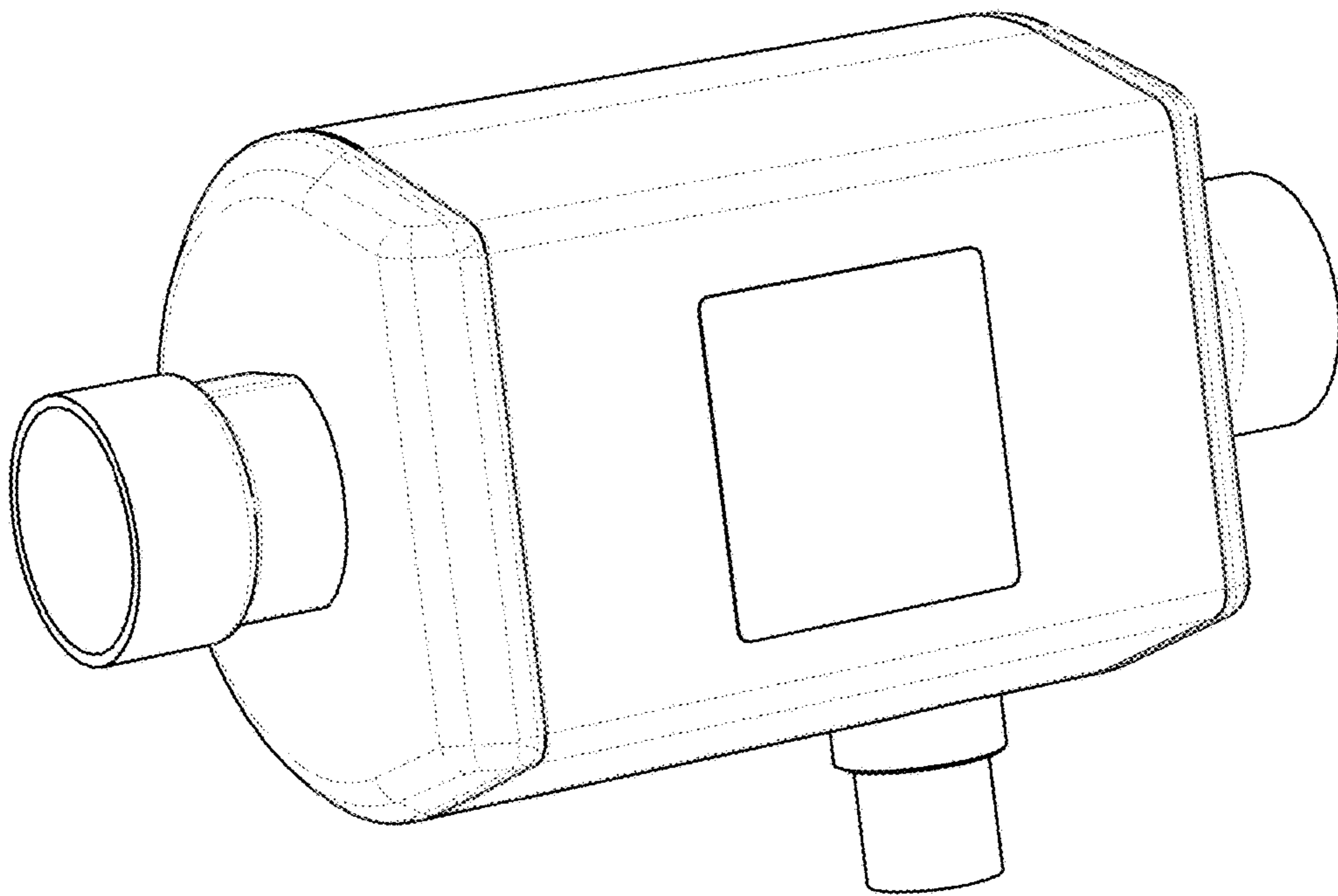
**DESCRIPTION**

(58) **Field of Classification Search**  
USPC ..... D10/96  
CPC ..... G01F 1/68; G01F 1/684; G01F 1/6842;  
G01F 1/6845; G01F 1/6847; G01F 1/688;  
G01F 1/6882; G01F 1/6884; G01F  
1/6886; G01F 1/6888; G01F 1/69; G01K  
12/02; G01K 2013/024; G01K 2013/026;  
G01M 3/26; G01M 3/28; G01M 3/2807;  
G01M 3/2815; G01M 3/2823; G01M  
3/283; G01M 3/2838; G01M 3/2846;  
G01M 3/2853; G01M 3/2861; G01M  
3/2869; G01M 3/2876; G01M 3/2884;

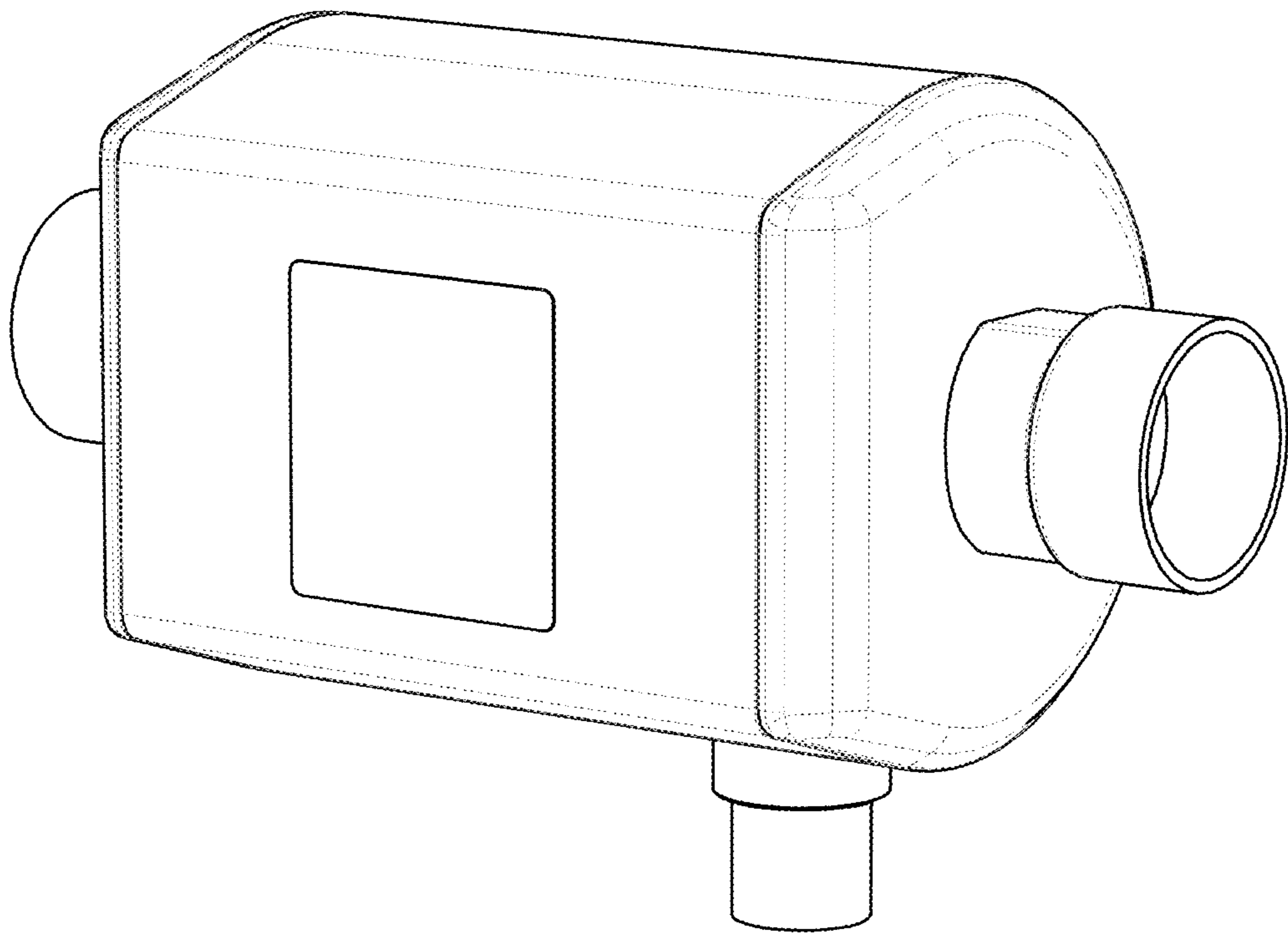
FIG. 1 is a front isometric view of a measuring apparatus;  
FIG. 2 is a front isometric view of the measuring apparatus  
of FIG. 1, rotated about its vertical axis;  
FIG. 3 is a front isometric view of the measuring apparatus  
of FIG. 2, rotated about its longitudinal axis;  
FIG. 4 is a back isometric view of the measuring apparatus  
of FIG. 1;  
FIG. 5 is a back isometric view of the measuring apparatus  
of FIG. 4, rotated about its vertical axis; and,  
FIG. 6 is back isometric view of the measuring apparatus of  
FIG. 5, rotated about its longitudinal axis.

**1 Claim, 6 Drawing Sheets**

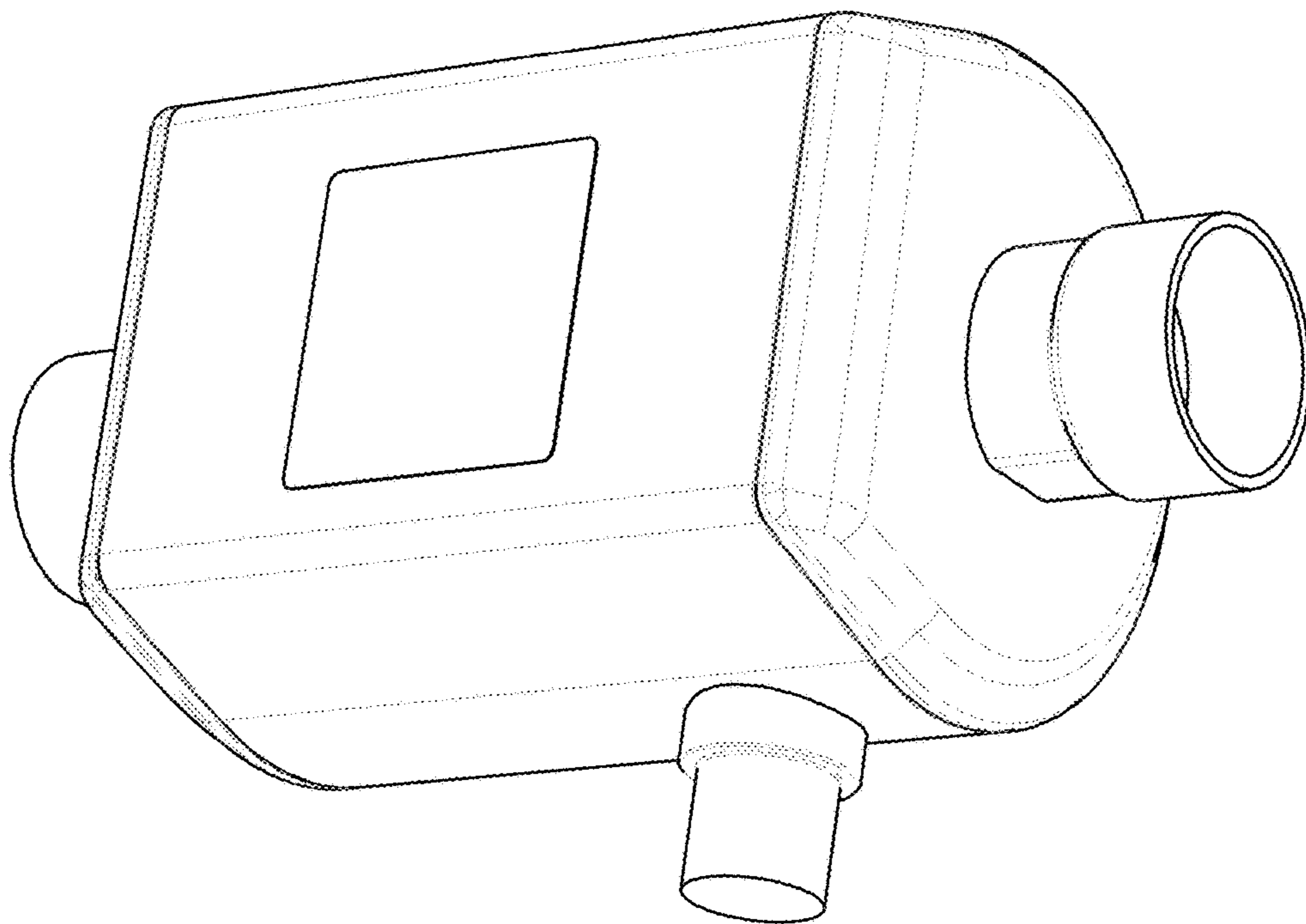




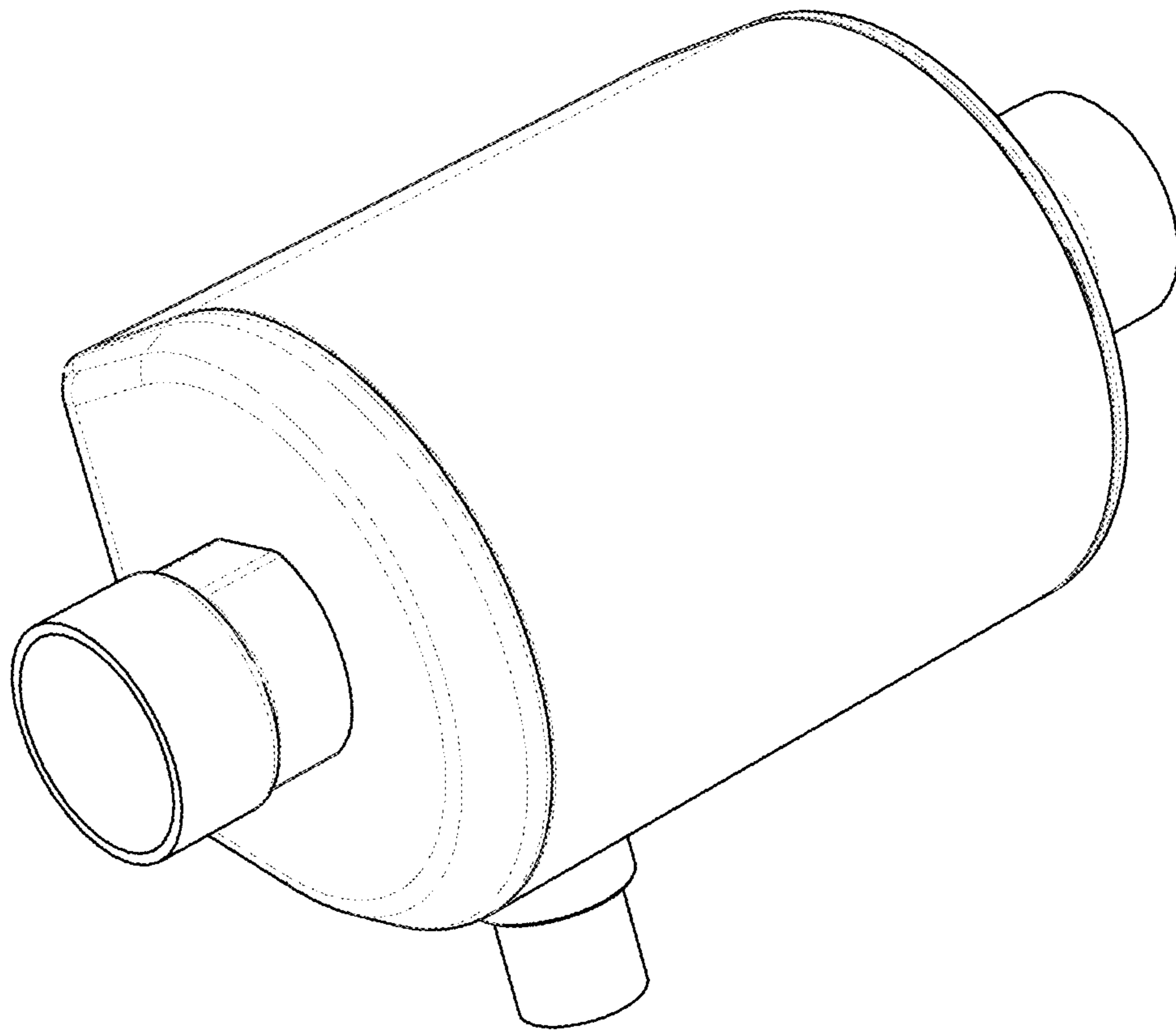
**FIG. 1**



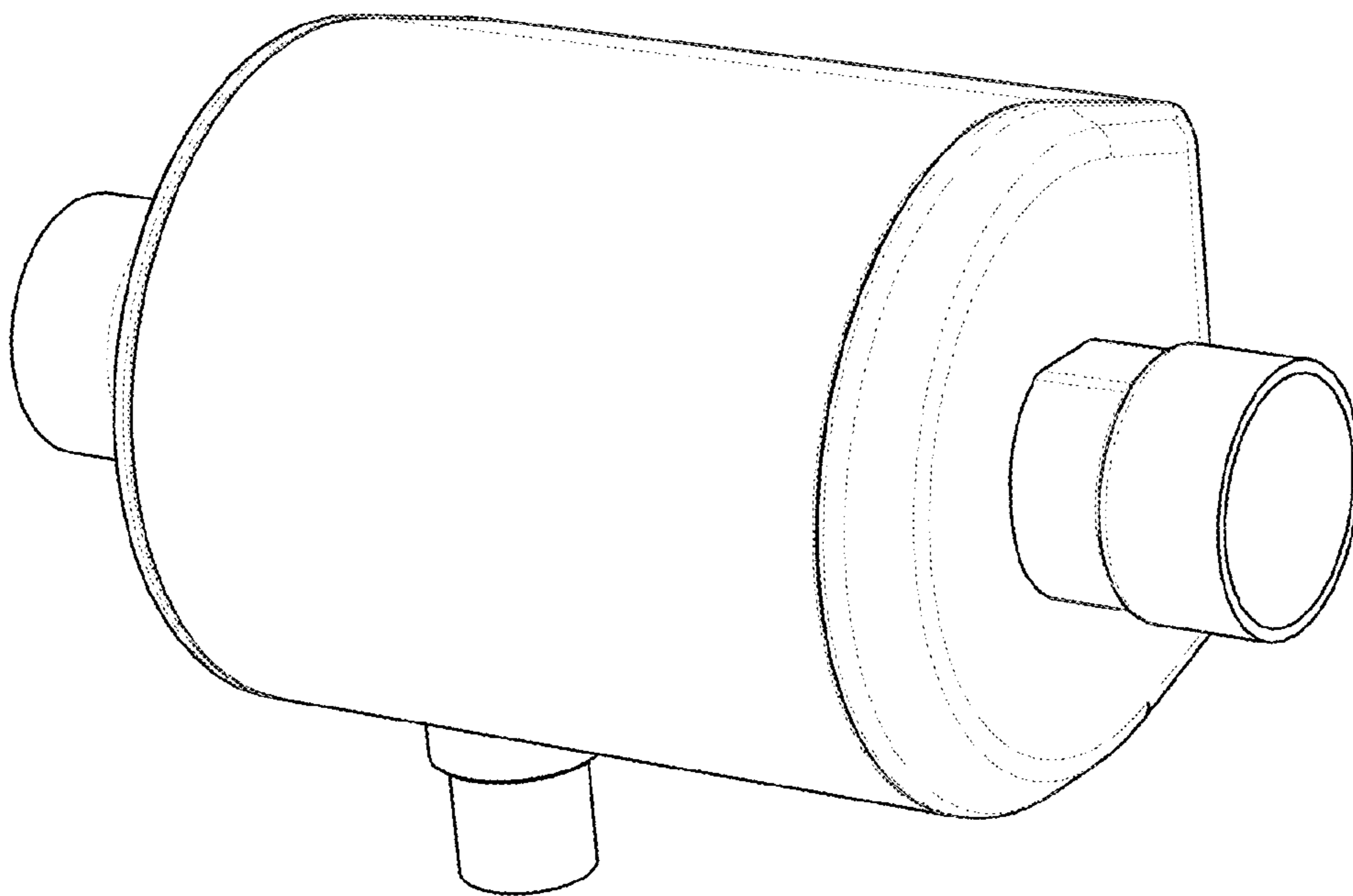
**FIG. 2**



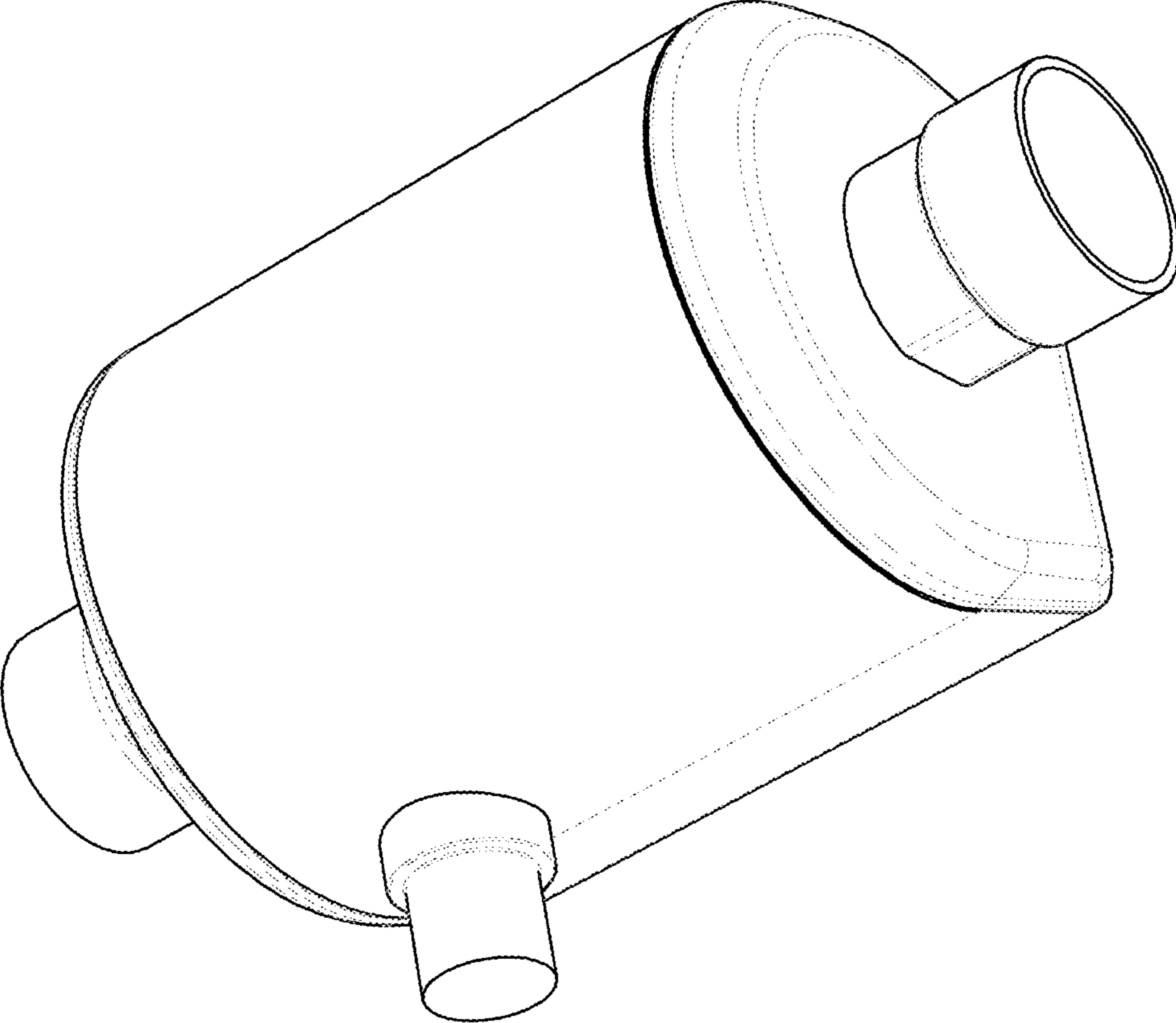
**FIG. 3**



**FIG. 4**



**FIG. 5**



**FIG. 6**