



US00D828191S

(12) **United States Design Patent**
Makino

(10) **Patent No.:** **US D828,191 S**

(45) **Date of Patent:** **** Sep. 11, 2018**

(54) **PROBE**

(71) Applicant: **SINTOKOGIO, LTD.**, Nagoya-shi,
Aichi (JP)

(72) Inventor: **Yoshiyasu Makino**, Toyokawa (JP)

(73) Assignee: **SINTOKOGIO, LTD.** (JP)

(**) Term: **15 Years**

(21) Appl. No.: **29/598,367**

(22) Filed: **Mar. 24, 2017**

(30) **Foreign Application Priority Data**

Oct. 3, 2016 (JP) 2016-021519

(51) **LOC (11) Cl.** **10-04**

(52) **U.S. Cl.**
USPC **D10/80**

(58) **Field of Classification Search**

USPC D10/46, 75, 78, 78.8, 100, 80; D13/107;
D14/128, 221, 225, 231, 388, 434;
D15/199

CPC G01N 27/82; G01N 27/83; G01N 27/87;
G01N 27/90; G01N 27/9033; G01N
27/9026; G01N 27/902; G01N 27/9006;
G01N 27/9013

See application file for complete search history.

(56) **References Cited**

U.S. PATENT DOCUMENTS

D414,258 S * 9/1999 Yao D23/377
D433,511 S * 11/2000 Nieves D24/217

D740,750 S * 10/2015 Mayden D13/108
D744,360 S * 12/2015 Makino D10/78
D775,987 S * 1/2017 Sheridan D10/81
D776,285 S * 1/2017 Dinger D24/186

FOREIGN PATENT DOCUMENTS

WO WO-9116638 A1 * 10/1991 B82Y 15/00

* cited by examiner

Primary Examiner — Melanie H Tung

Assistant Examiner — Fritzgerald L Butac

(74) *Attorney, Agent, or Firm* — Saidman DesignLaw
Group, LLC

(57) **CLAIM**

The ornamental design for a probe, as shown and described.

DESCRIPTION

FIG. 1 is a perspective view of a probe showing my new design;

FIG. 2 is a front view thereof, the rear view being a mirror image thereof;

FIG. 3 is a left side view thereof;

FIG. 4 is a right side view thereof;

FIG. 5 is a top plan view thereof; and,

FIG. 6 is a bottom plan side view thereof.

The drawings include surface shading which represents contour and not surface ornamentation.

The parallel “dash-dot-dash” broken lines represent a symbolic break in the length of a portion of the probe and forms no part of the claimed design.

1 Claim, 3 Drawing Sheets

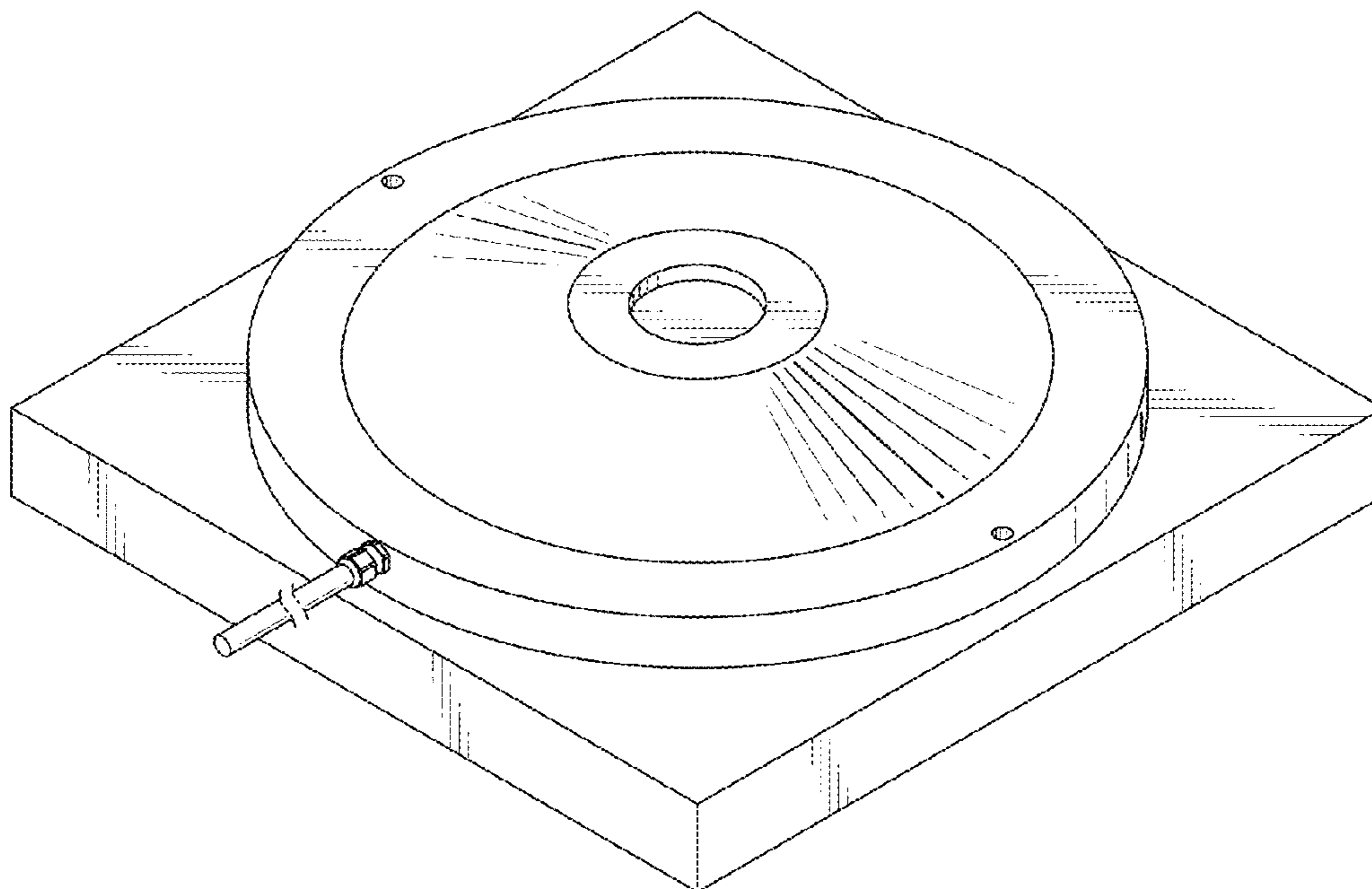


FIG.1

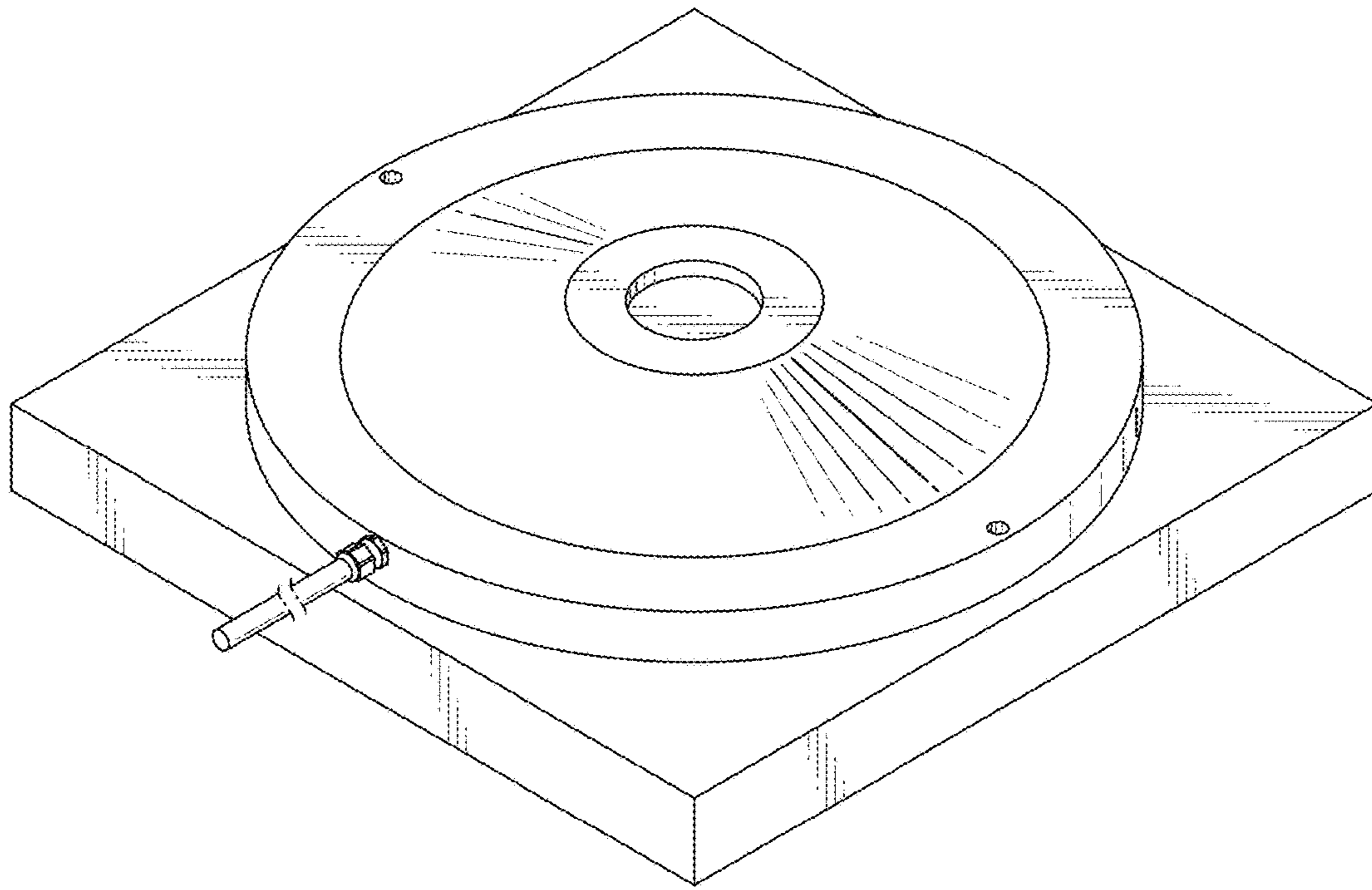


FIG.2

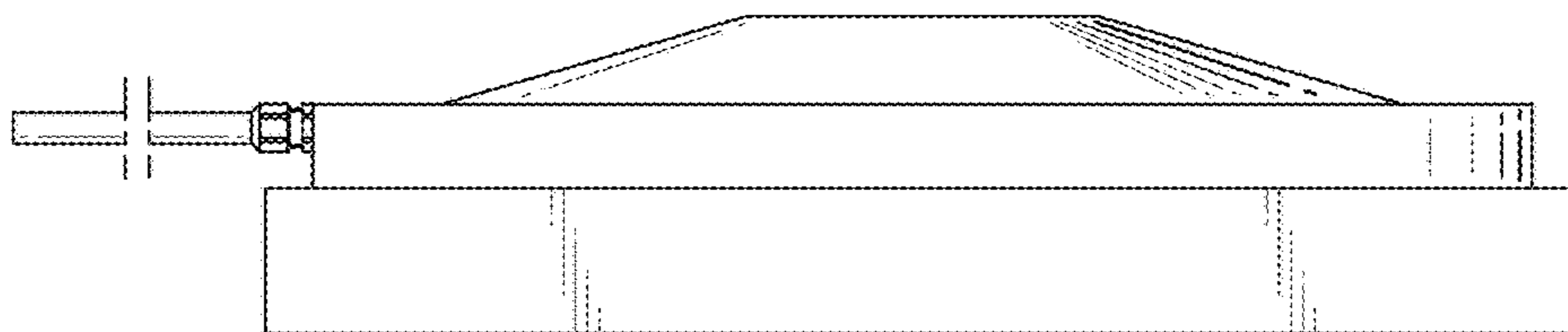


FIG.3

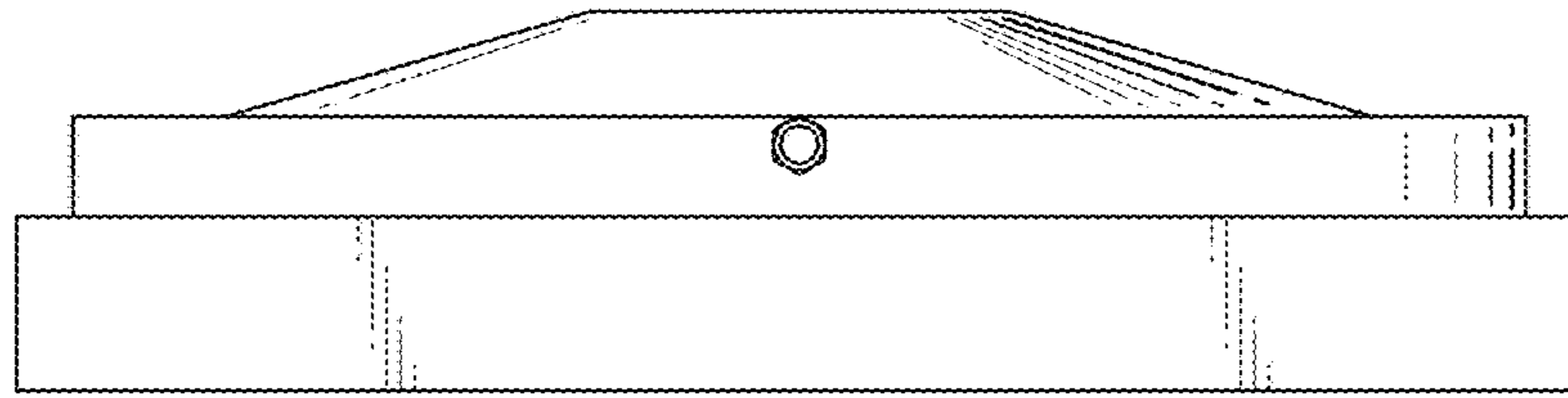


FIG.4

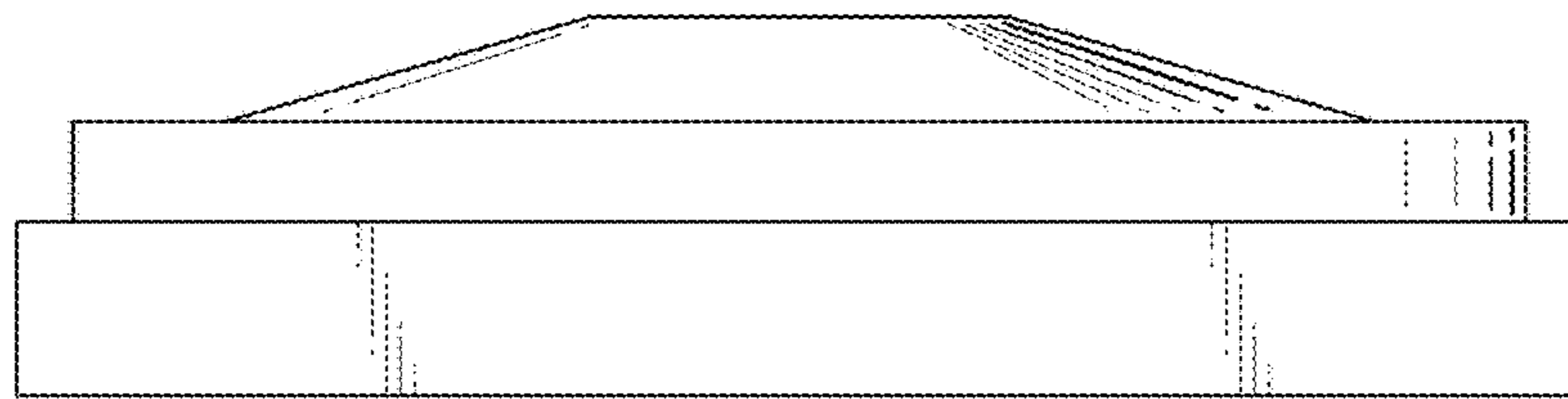


FIG.5

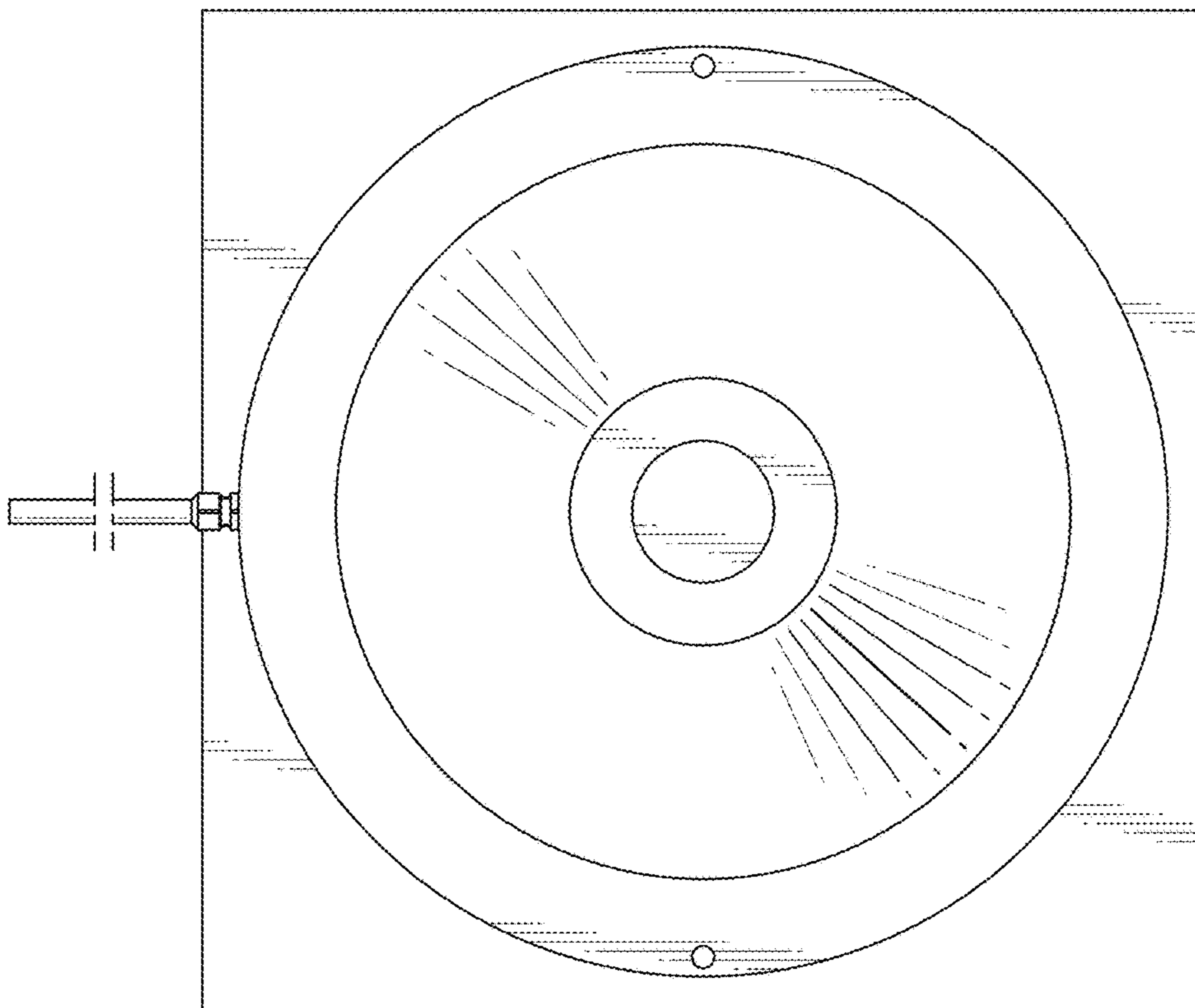


FIG.6

