



US00D828188S

(12) **United States Design Patent**
Zhu

(10) **Patent No.:** **US D828,188 S**
(45) **Date of Patent:** **** Sep. 11, 2018**

(54) **MULTI-FUNCTIONAL PRESSURE REDUCED TRIANGULAR GYROSCOPE**

(71) Applicant: **Lingsheng Zhu**, Hunan (CN)

(72) Inventor: **Lingsheng Zhu**, Hunan (CN)

(**) Term: **15 Years**

(21) Appl. No.: **29/604,492**

(22) Filed: **May 18, 2017**

(51) **LOC (11) Cl.** **10-04**

(52) **U.S. Cl.**
USPC **D10/66**

(58) **Field of Classification Search**
USPC D10/66
CPC G01C 19/24; G01C 19/30; G01C 19/56;

G01C 19/5607; G01C 19/5614; G01C 19/5621; G01C 19/5628; G01C 19/5635; G01C 19/5642; G01C 19/5649; G01C 19/5656; G01C 19/5663; G01C 19/567; G01C 19/5677; G01C 19/5684; G01C 19/5691; G01C 19/5698; G01C 19/5705; G01C 19/5712; G01C 19/5719; G01C 19/5726; G01C 19/5733; G01C 19/574; G01C 19/5747; G01C 19/5755; G01C 19/5762; G01C 19/5769; G01C 19/5776; G01C 19/5783; G01C 19/58; G01C 19/60; G01C 19/62; G01C 19/64; G01C 19/66; G01C 19/661; G01C 19/662; G01C 19/664; G01C 19/665; G01C 19/667; G01C 19/668; G01C 19/68;

G01C 19/70; G01C 19/72; G01C 19/721; G01C 19/722; G01C 19/723; G01C 19/725; G01C 19/726; G01C 19/727; G01C 19/728; G01C 19/00; G01C 19/02; G01C 19/025; G01C 19/04; G01C 19/06; G01C 19/16; G01C 19/26; G01C 19/28

See application file for complete search history.

(56) **References Cited**

U.S. PATENT DOCUMENTS

D782,345 S * 3/2017 Wu D10/66

* cited by examiner

Primary Examiner — Antoine Duval Davis

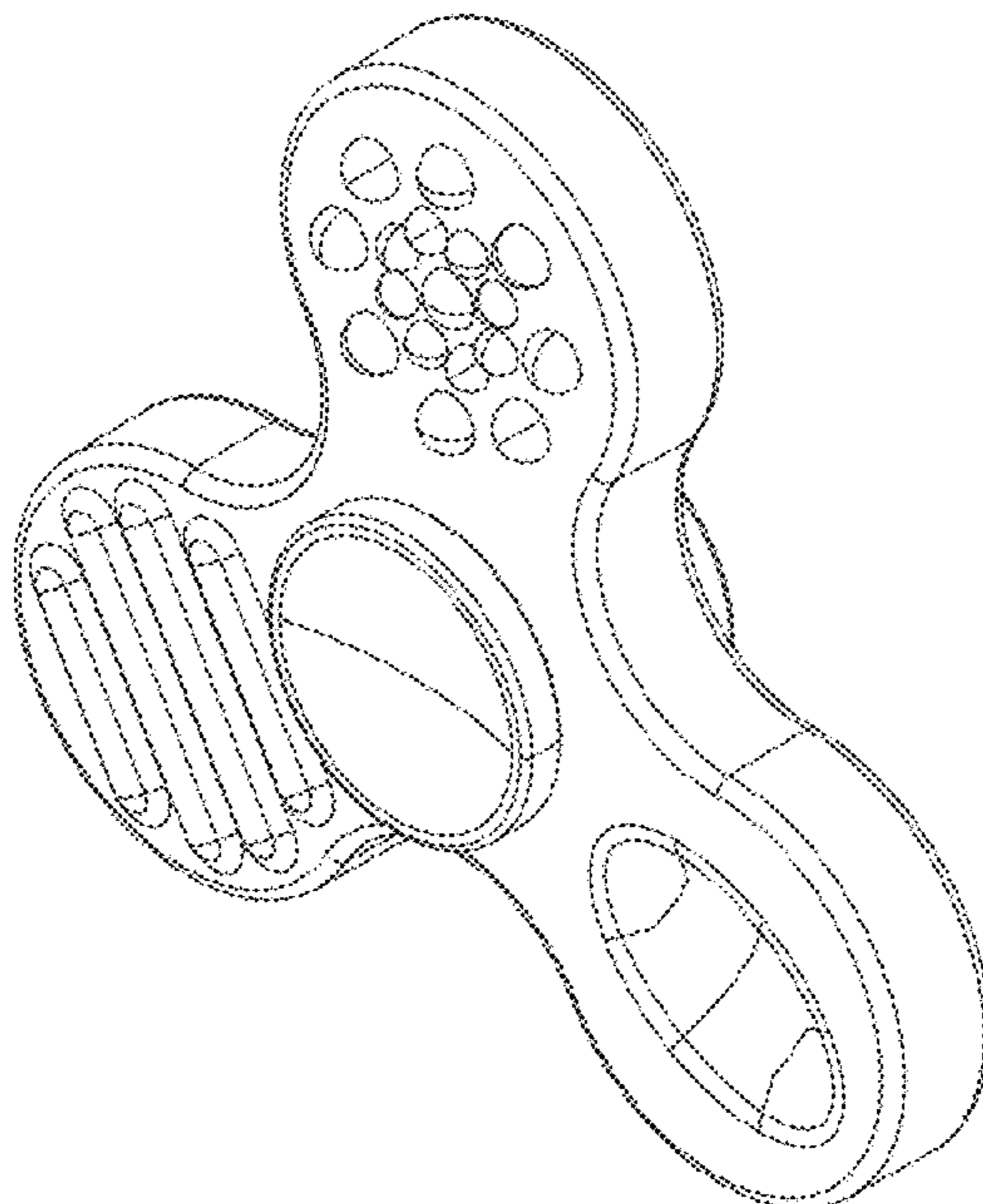
(57) **CLAIM**

The ornamental design for a multi-functional pressure reduced triangular gyroscope, as shown and described.

DESCRIPTION

FIG. 1 is a perspective view of a multi-functional pressure reduced triangular gyroscope showing my new design; FIG. 2 is a front elevational view thereof; FIG. 3 is a rear elevational view thereof; FIG. 4 is a right side view thereof; FIG. 5 is a left side view thereof; FIG. 6 is a bottom plan view thereof; FIG. 7 is a top plan view thereof; and, FIG. 8 is a supplemental perspective view thereof.

1 Claim, 7 Drawing Sheets



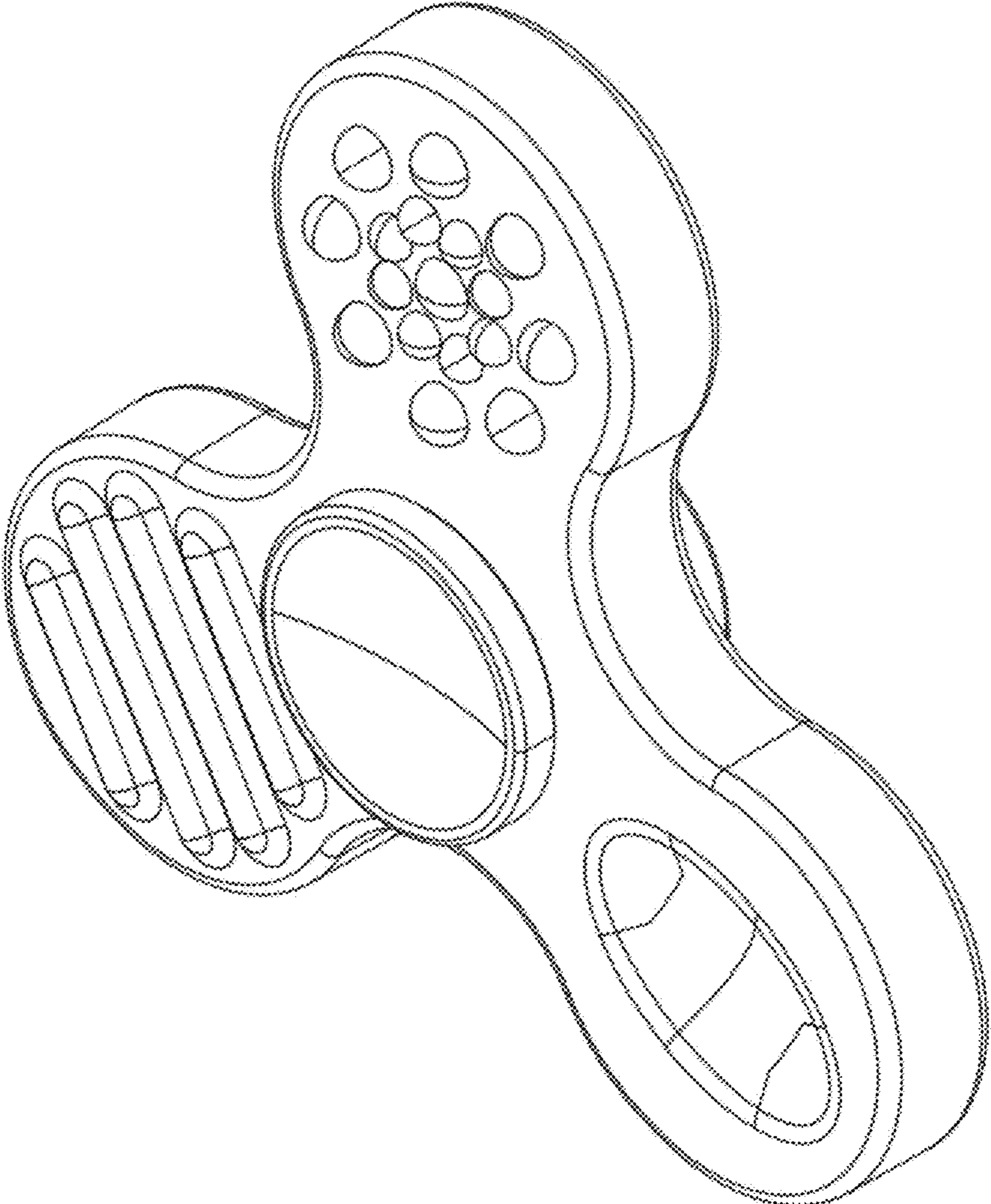


FIG. 1

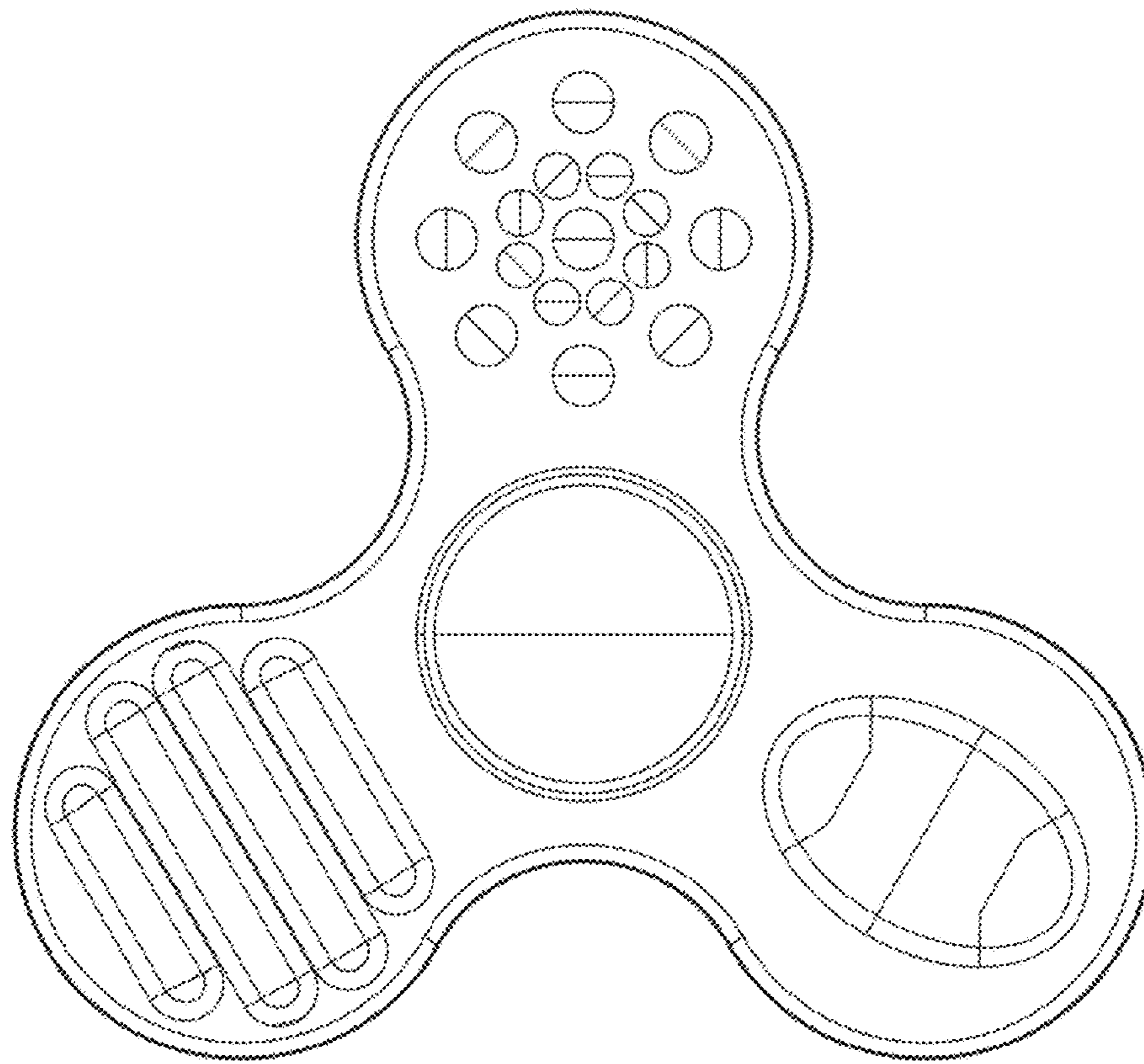


FIG. 2

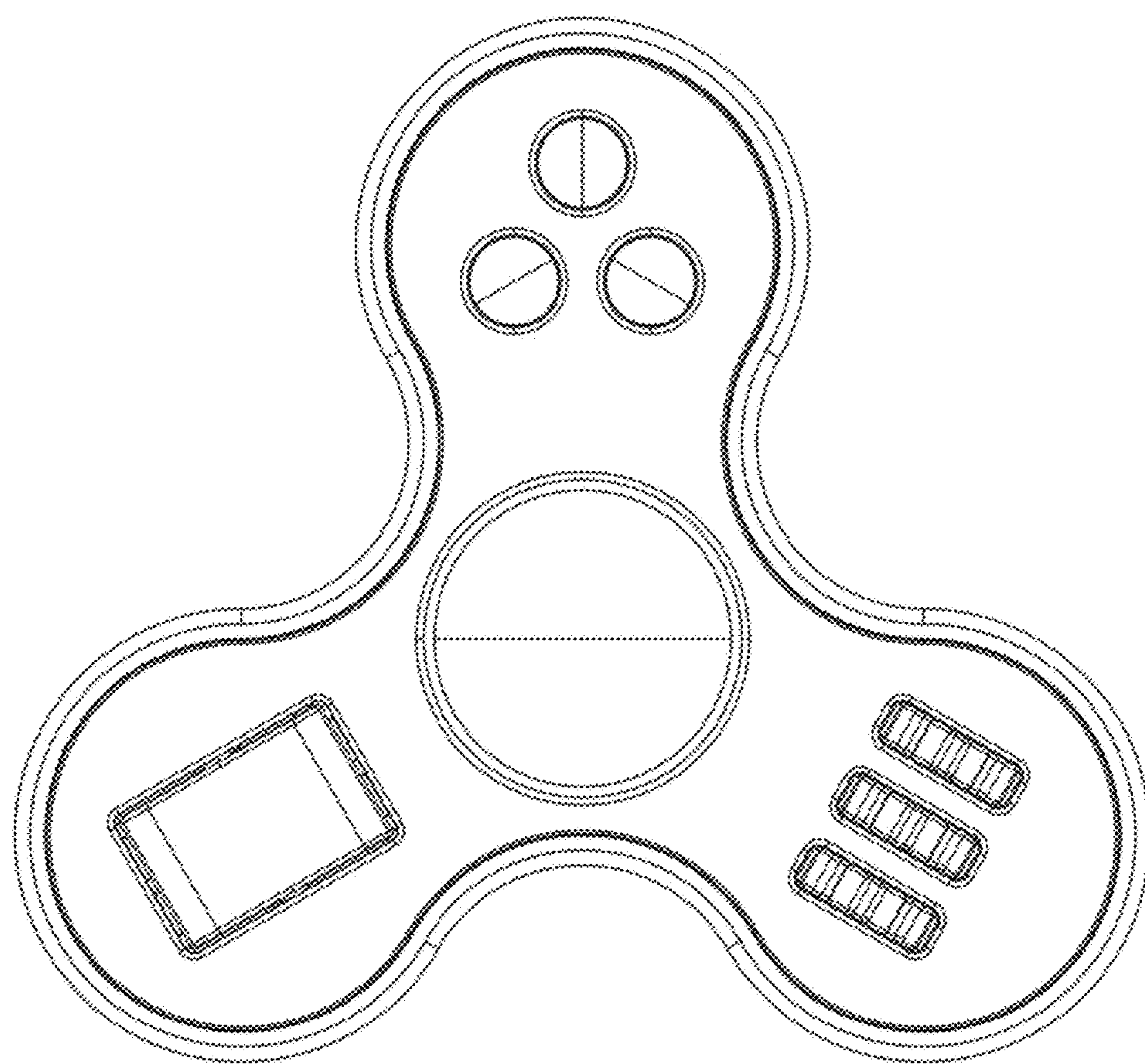


FIG. 3

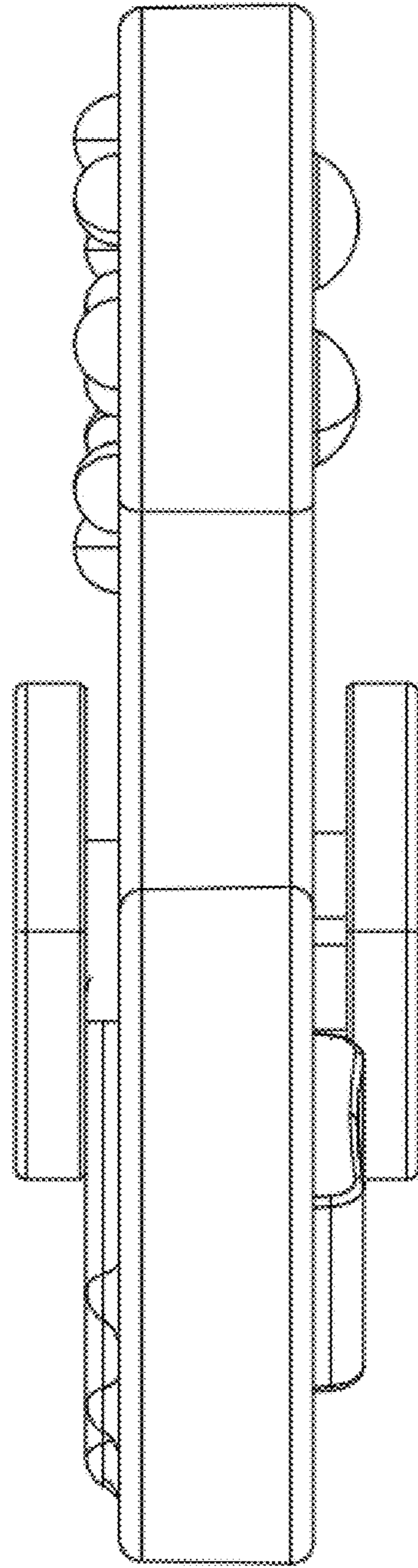


FIG. 4

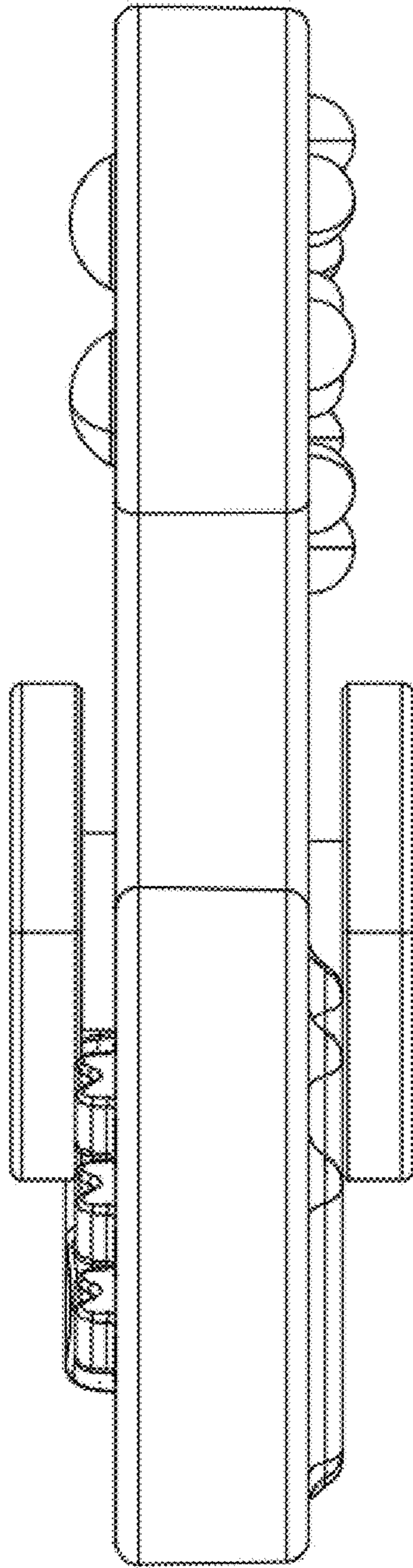


FIG. 5

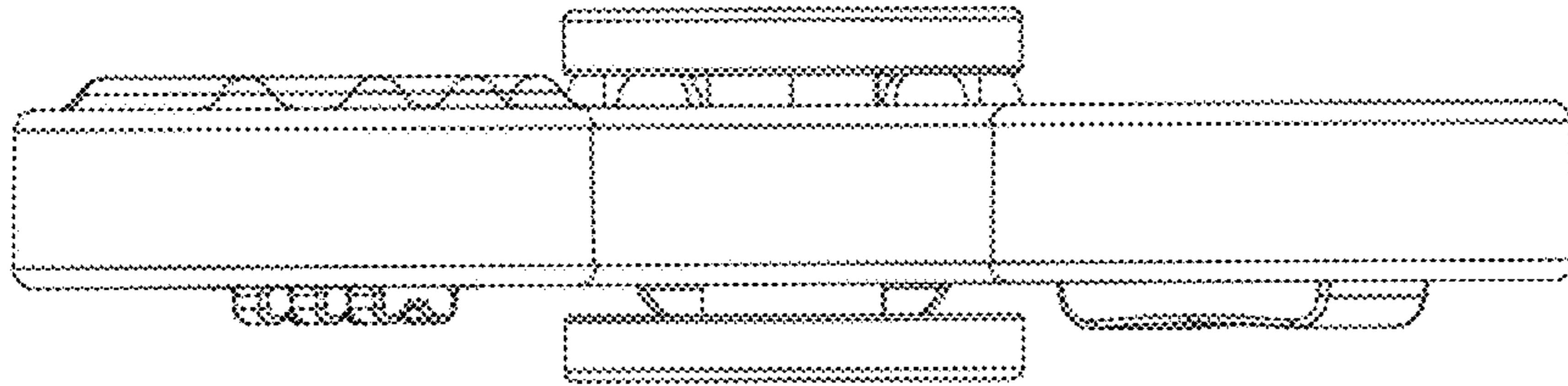


FIG. 6

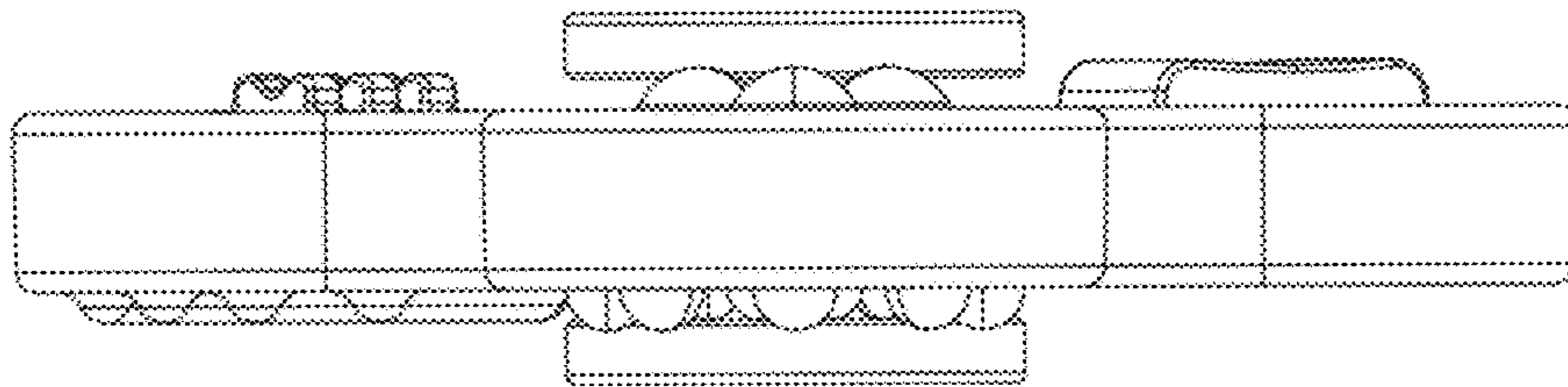


FIG. 7

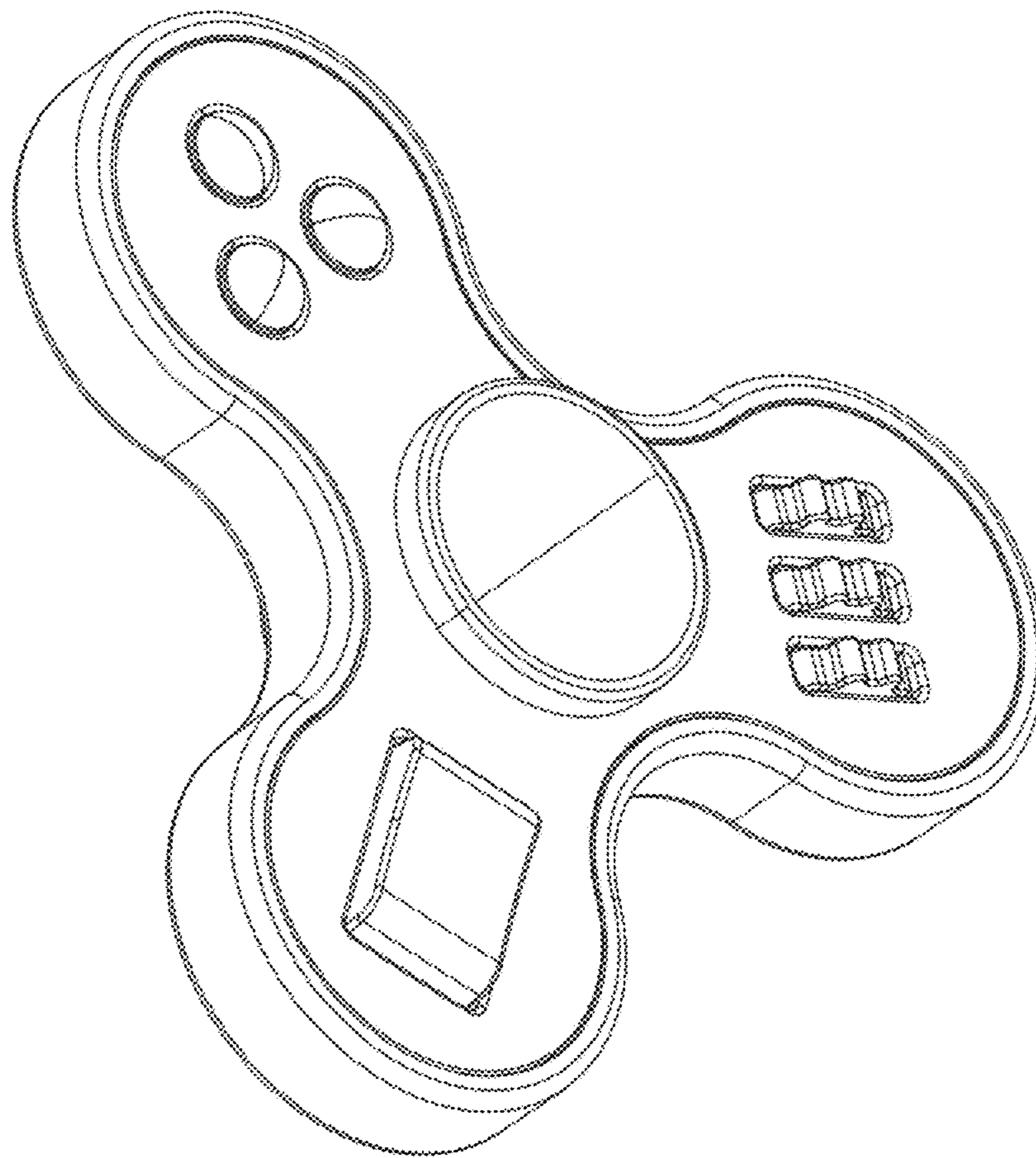


FIG. 8