



US00D828187S

(12) **United States Design Patent**
O'Neill et al.

(10) **Patent No.:** **US D828,187 S**

(45) **Date of Patent:** **** Sep. 11, 2018**

(54) **LASER TRACKER DEVICE**

(71) Applicant: **FARO Technologies, Inc.**, Lake Mary, FL (US)

(72) Inventors: **Daniel J. O'Neill**, Willow Grove, PA (US); **Thomas William Murray**, Philadelphia, PA (US); **Christopher John Murray**, Philadelphia, PA (US); **Jonathan D. Albert**, Philadelphia, PA (US); **John D. Coleman**, Philadelphia, PA (US)

(73) Assignee: **FARO TECHNOLOGIES, INC.**, Lake Mary, FL (US)

(**) Term: **15 Years**

(21) Appl. No.: **29/579,487**

(22) Filed: **Sep. 30, 2016**

(51) **LOC (11) Cl.** **10-04**

(52) **U.S. Cl.**
USPC **D10/66**

(58) **Field of Classification Search**
USPC D10/66, 70
CPC G01C 15/00; G01C 15/06; G01C 15/002;
G01C 21/16; G01C 21/165; G01C 25/00;
G01S 19/49; G01S 19/51; G01S 5/12;
G01S 5/16

See application file for complete search history.

(56) **References Cited**

U.S. PATENT DOCUMENTS

D317,132 S * 5/1991 Knipfer D10/65
D688,577 S 8/2013 Steffey et al.

D705,678 S 5/2014 Steffey et al.
D723,398 S * 3/2015 Ishii D10/66
D769,744 S * 10/2016 Kelley D10/66
9,482,525 B2 * 11/2016 Bridges G01B 21/045
9,523,574 B2 * 12/2016 Chiba G01C 15/002

* cited by examiner

Primary Examiner — Antoine Duval Davis

(74) *Attorney, Agent, or Firm* — Cantor Colburn LLP

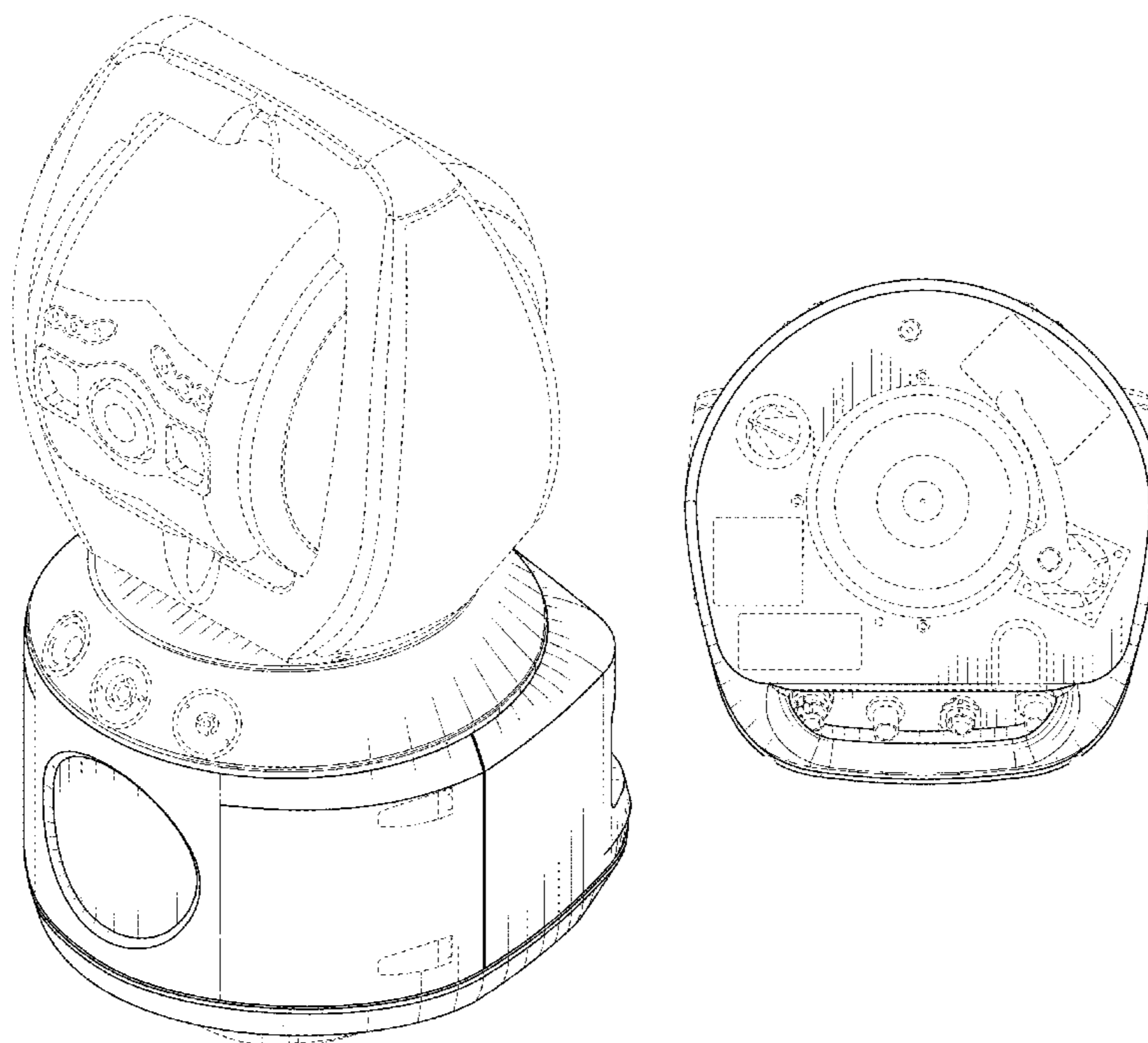
(57) **CLAIM**

We claim, the ornamental design for a laser tracker device, as shown and described.

DESCRIPTION

FIG. 1 is a perspective view of the invention;
FIG. 2 is a front view of the invention;
FIG. 3 is a rear view of the invention;
FIG. 4 is a first side view of the invention;
FIG. 5 is a second side view of the invention;
FIG. 6 is a top view of the invention;
FIG. 7 is a bottom view of the invention; and,
FIG. 8 is a bottom perspective view of the invention.
The broken lines and unshaded portioned contained within the broken lines shown in FIG. 1-FIG. 8 are not part of the claimed design.
References to “side”, “top”, “front”, “rear” and “bottom” in the figure descriptions are not meant to require certain in-use orientation; a laser tracker device according to the claimed design may be used in any orientation.

1 Claim, 7 Drawing Sheets



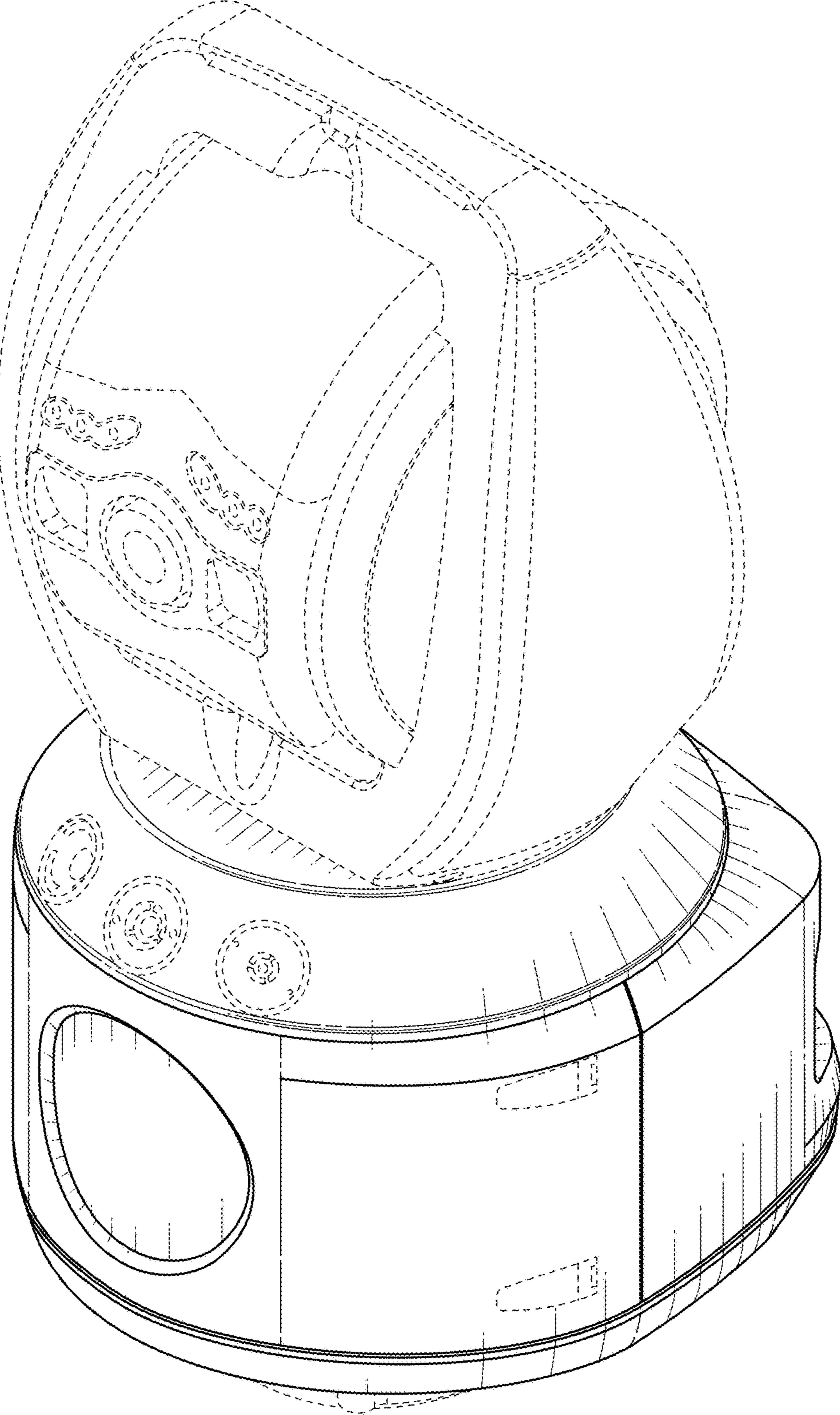


FIG. 1

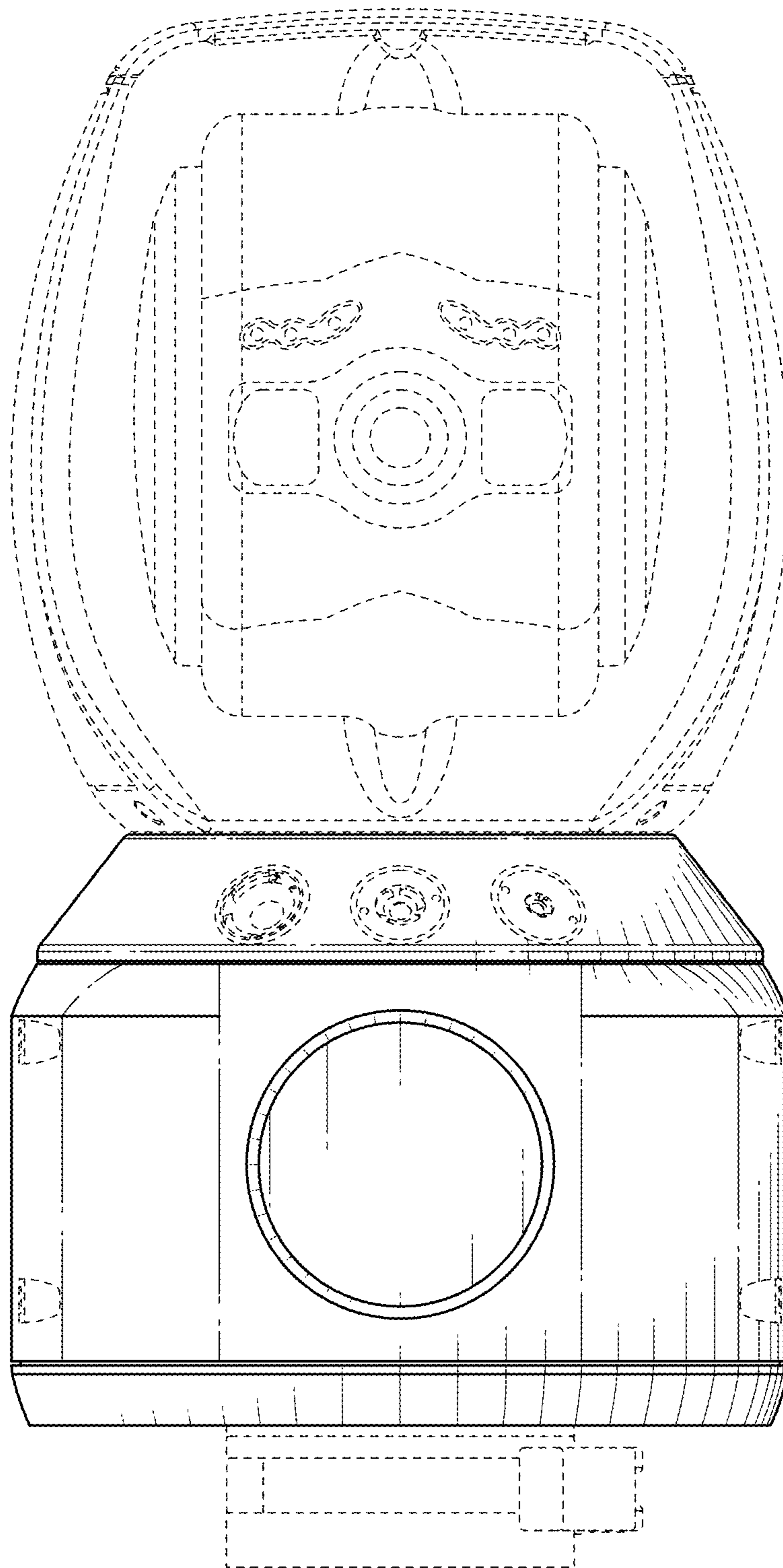


FIG. 2

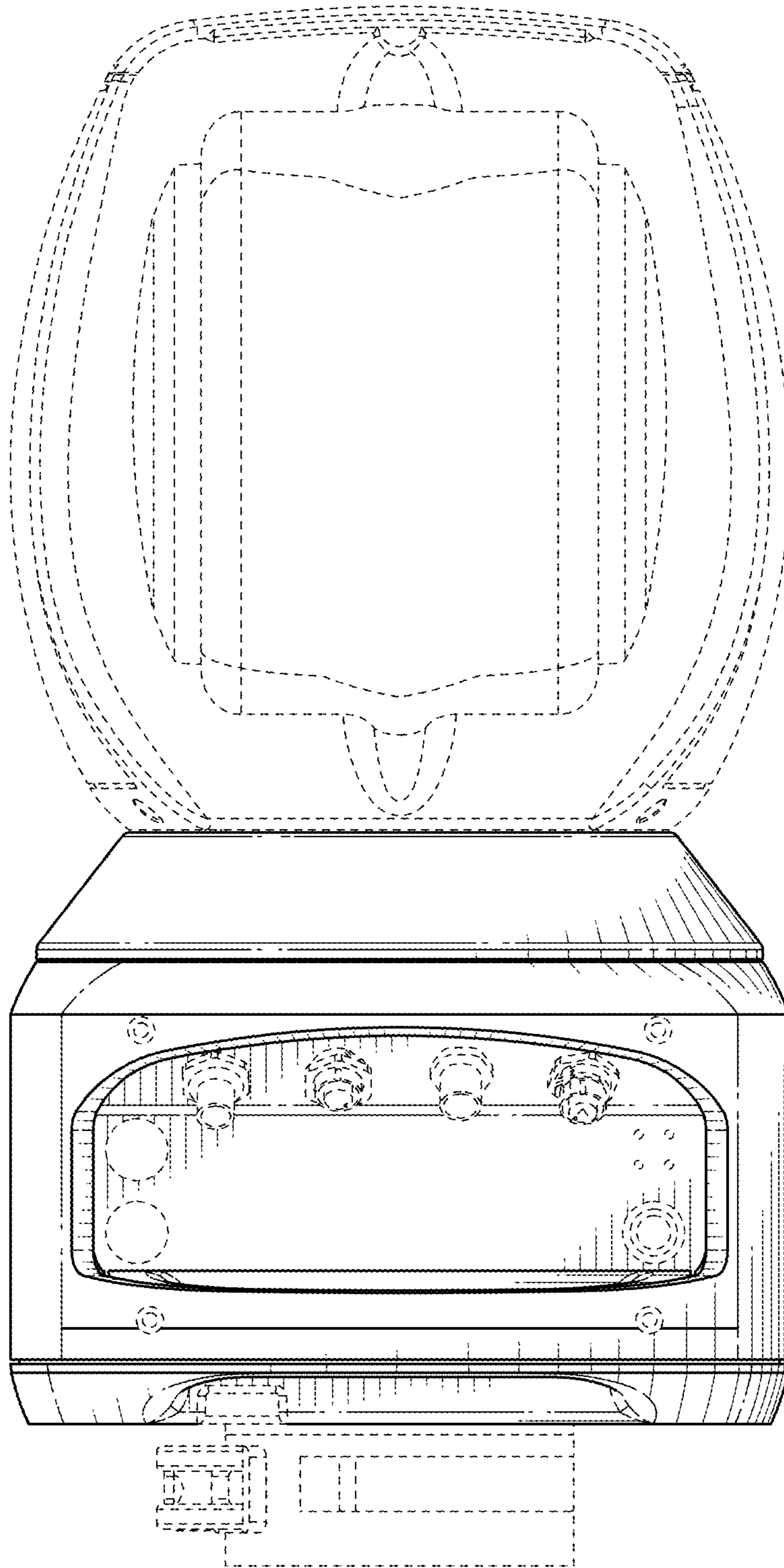


FIG. 3

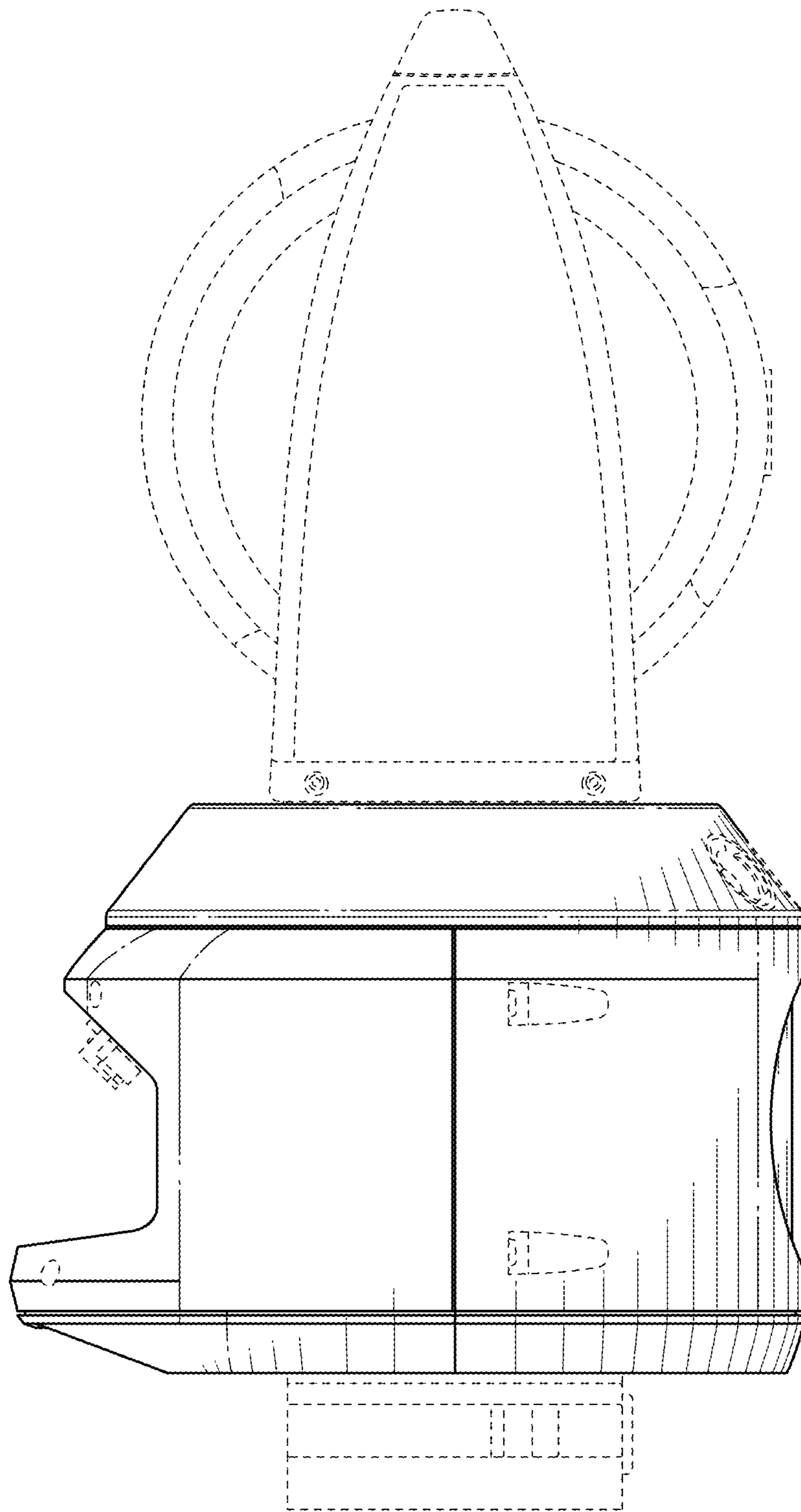


FIG. 4

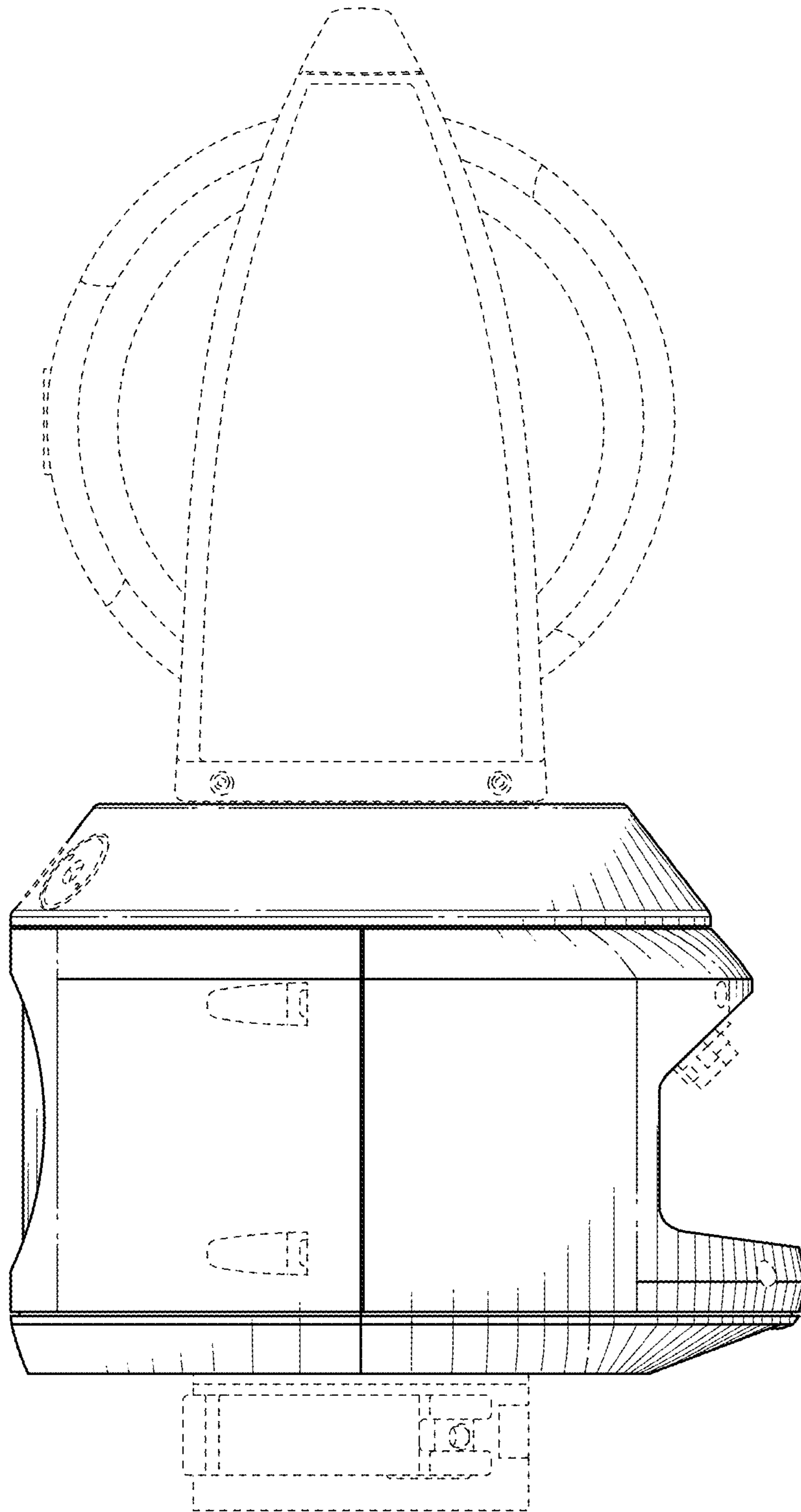


FIG. 5

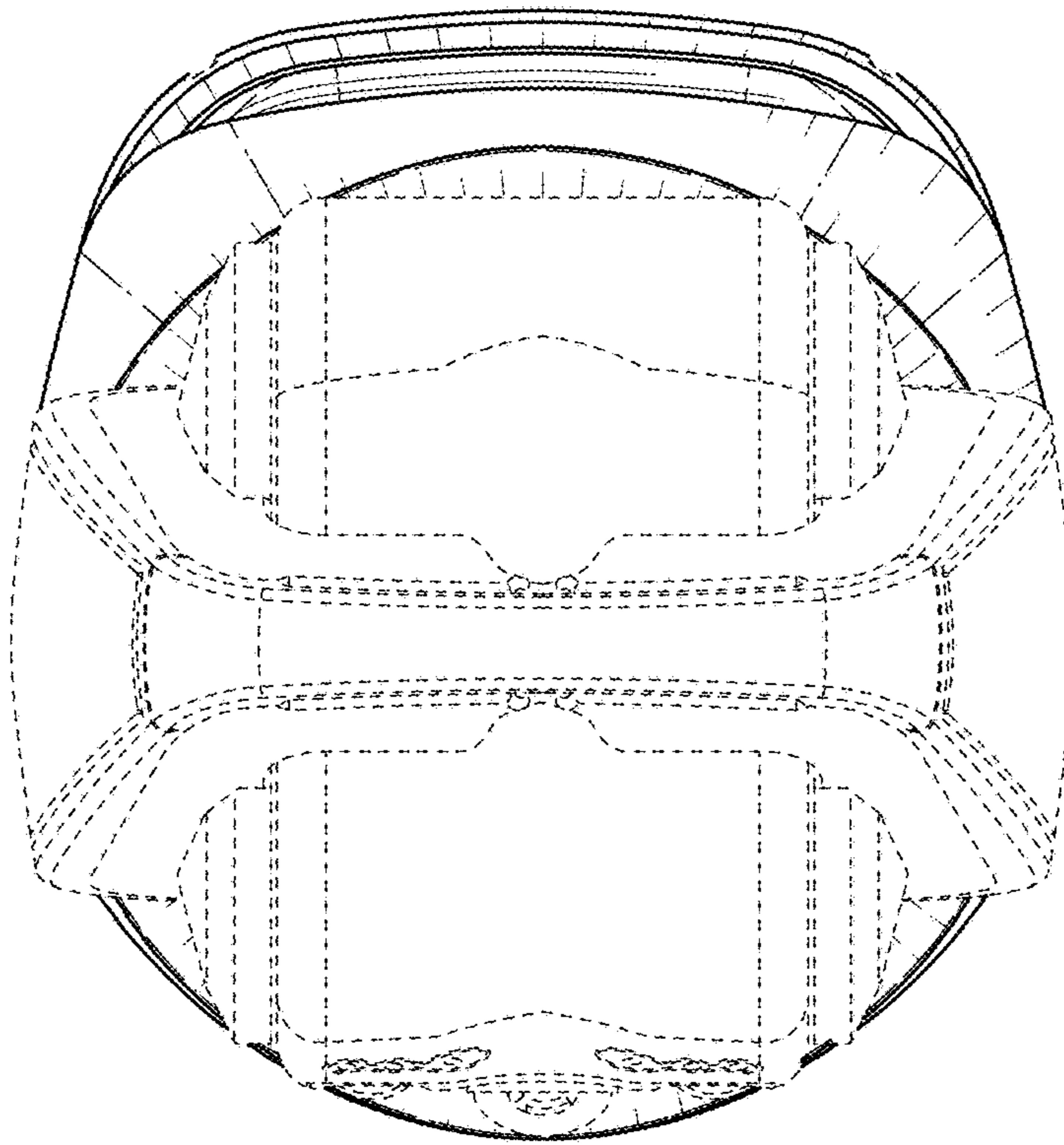


FIG. 6

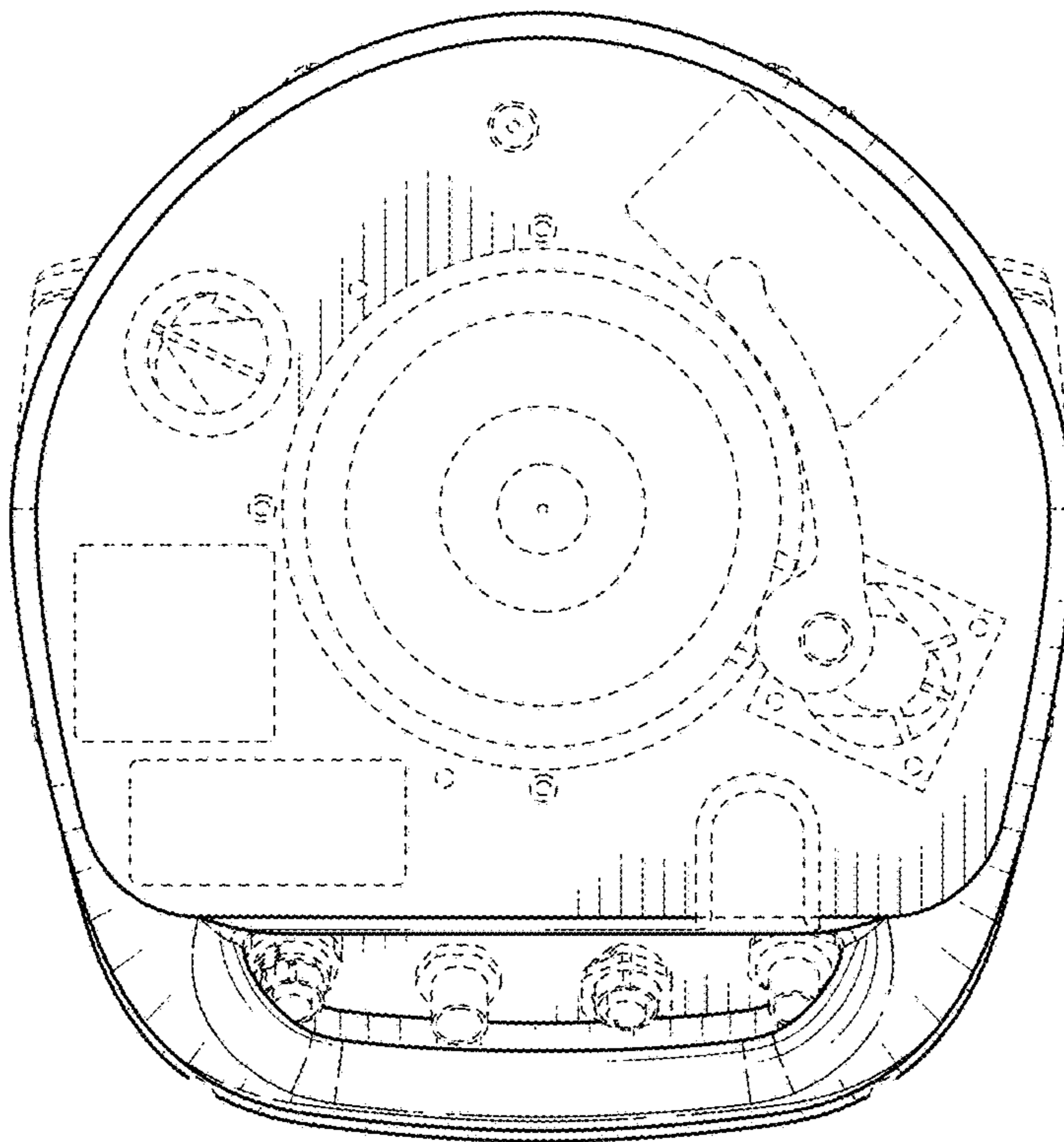


FIG. 7

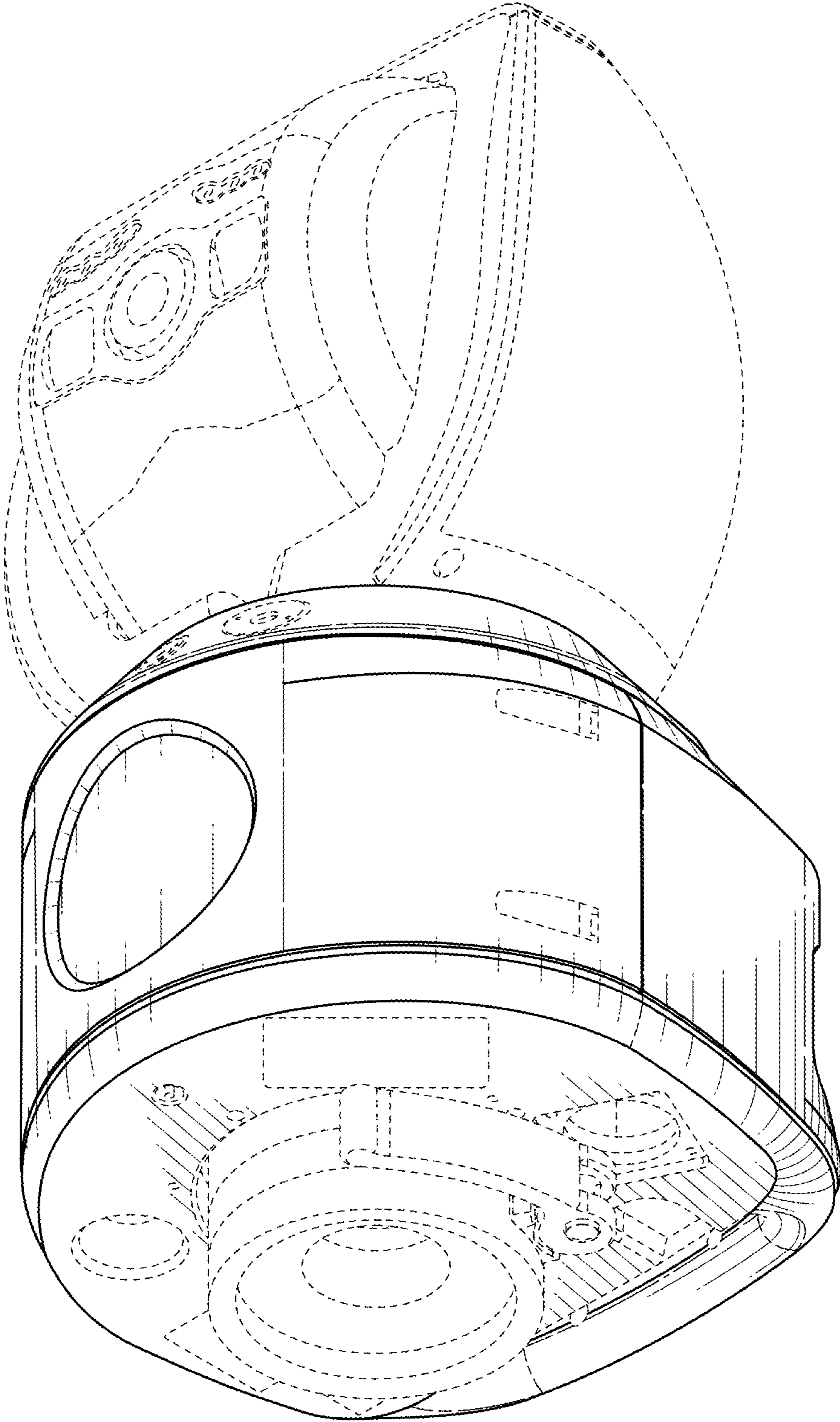


FIG. 8