



US00D828184S

(12) **United States Design Patent** (10) **Patent No.:** **US D828,184 S**
Hu (45) **Date of Patent:** **** Sep. 11, 2018**

(54) **CLOCK**
(71) Applicant: **MPOW TECHNOLOGY CO., LIMITED**, Hong Kong (HK)
(72) Inventor: **Zaihui Hu**, Shenzhen (CN)
(73) Assignee: **MPOW TECHNOLOGY CO., LIMITED**, Hong Kong (HK)
(**) Term: **15 Years**

D402,949 S * 12/1998 Marguerie D12/187
D408,296 S * 4/1999 Hui D10/1
D445,109 S * 7/2001 Tracy D14/374
D482,688 S * 11/2003 Jung D14/375
D517,067 S * 3/2006 Mitchell D14/375
D572,025 S * 7/2008 Kwon D14/371

(Continued)

FOREIGN PATENT DOCUMENTS

CN 304029958 2/2017
EM 002993220-0001 3/2016

(21) Appl. No.: **29/653,285**

(22) Filed: **Jun. 13, 2018**

(51) **LOC (11) Cl.** **10-01**

(52) **U.S. Cl.**
USPC **D10/26**; D14/172; D13/108

(58) **Field of Classification Search**
USPC D10/1, 2, 4-5, 14-15, 19, 24, 26, 30-32,
D10/37-39, 40-41, 61, 70, 74, 80, 103,
D10/122-124, 126-128, 132;
D14/170-172, 188, 344, 138 R, 432, 439,
D14/440; D24/167, 186; D13/107-108
CPC G04F 1/00; G04F 5/00; G04F 7/06; G04F
7/062; G04F 7/065; G04F 3/00; G04F
3/06; G04F 3/08; G04C 23/00; G04C
23/02; G04C 23/04; G04C 23/06; G04C
23/08; G04B 19/00; G04B 19/06; G04B
45/00; G04B 37/00; A44C 5/00; A44C
5/06; A44C 5/14; A45C 11/12; H04M
1/00; H04M 1/18; H04B 1/3888

See application file for complete search history.

(56) **References Cited**

U.S. PATENT DOCUMENTS

D312,971 S * 12/1990 Takashima D10/10
D337,951 S * 8/1993 Bruzzi D10/18
D351,797 S * 10/1994 White D10/15
D386,690 S * 11/1997 Lewis D10/15
D390,209 S * 2/1998 Dials D14/451

OTHER PUBLICATIONS

Adoric Alarm Clock | posted at amazon.com Dec. 2017 © 1996-2018, Amazon.com, Inc [online][site visited Mar. 9, 2018]. Available from Internet: <https://www.amazon.com/dp/B078KPMVW3/ref=psdc_509324_t2_B0731J2BXS> (Year: 2017).*

(Continued)

Primary Examiner — Sandra S Snapp
Assistant Examiner — Katherine Glennon
(74) *Attorney, Agent, or Firm* — JCIPRNET

(57) **CLAIM**

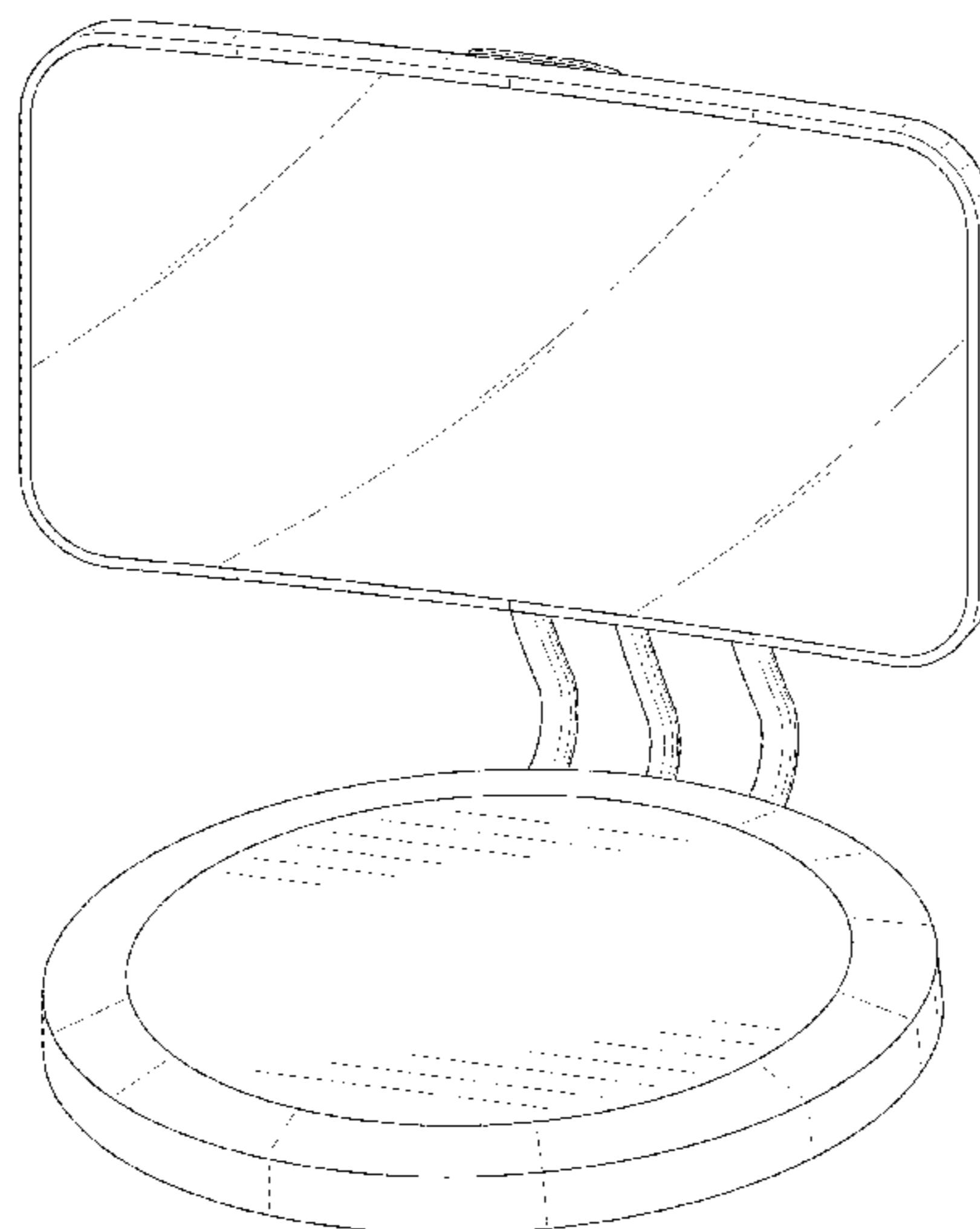
The ornamental design for a clock, as shown and described.

DESCRIPTION

FIG. 1 is a perspective view of a clock showing my new design;
FIG. 2 is a front view thereof;
FIG. 3 is a rear view thereof;
FIG. 4 is a left side view thereof;
FIG. 5 is a right side view thereof;
FIG. 6 is a top view thereof; and,
FIG. 7 is a bottom view thereof.

The broken lines showing in the views are for the purpose of illustrating unclaimed subject matter only and form no part of the claimed design.

1 Claim, 7 Drawing Sheets



(56)

References Cited

U.S. PATENT DOCUMENTS

D591,290 S * 4/2009 Park D14/371
 D592,863 S * 5/2009 Hoehn D6/310
 D601,583 S * 10/2009 Andre D14/496
 D613,076 S * 4/2010 Chyan D14/371
 D637,822 S * 5/2011 Utsunomiya D6/308
 D638,814 S * 5/2011 Sutherland D14/138 G
 D702,227 S * 4/2014 Washiyama D14/341
 D723,945 S * 3/2015 Le Bot D10/30
 D772,813 S * 11/2016 Wahl D13/108
 D784,165 S * 4/2017 Nishi D10/1
 D788,031 S * 5/2017 Holzer D13/107
 D793,099 S * 8/2017 Bailey D14/172
 D806,669 S * 1/2018 Kangasmaa D14/138 AA
 D807,318 S * 1/2018 Folkmann D14/149
 D818,421 S * 5/2018 Hu D12/415
 D820,114 S * 6/2018 Hu D10/15
 2016/0183393 A1 * 6/2016 Groom A45C 11/00
 280/33.992

OTHER PUBLICATIONS

Atmoko Digital Alarm Clock | amazon.com May 2, 2018 ©
 1996-2018, Amazon.com, Inc.[online][site visited Jul. 18, 2018].
https://www.amazon.com/Digital-Atmoko-Curved-screen-Function-Adjustable/dp/B07CSZ22JP/ref=sr_1_34?ie=UTF8&qid=1531951728&sr=8-34&keywords=Atmoko&dpID=41T9ICLBnXL&preST=_SY300_QL70_&dpSrc=srch (Year: 2018).*

* cited by examiner

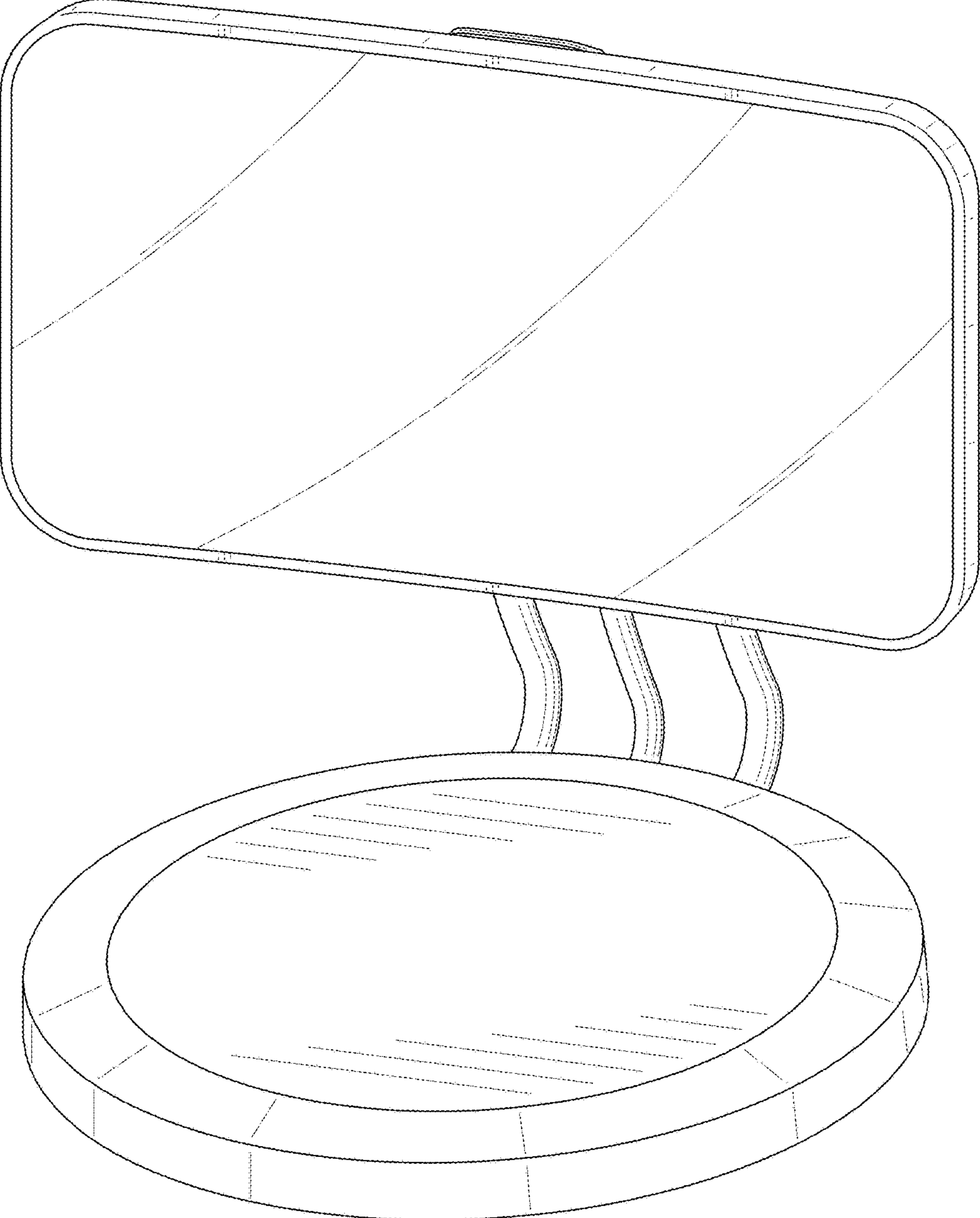


FIG. 1

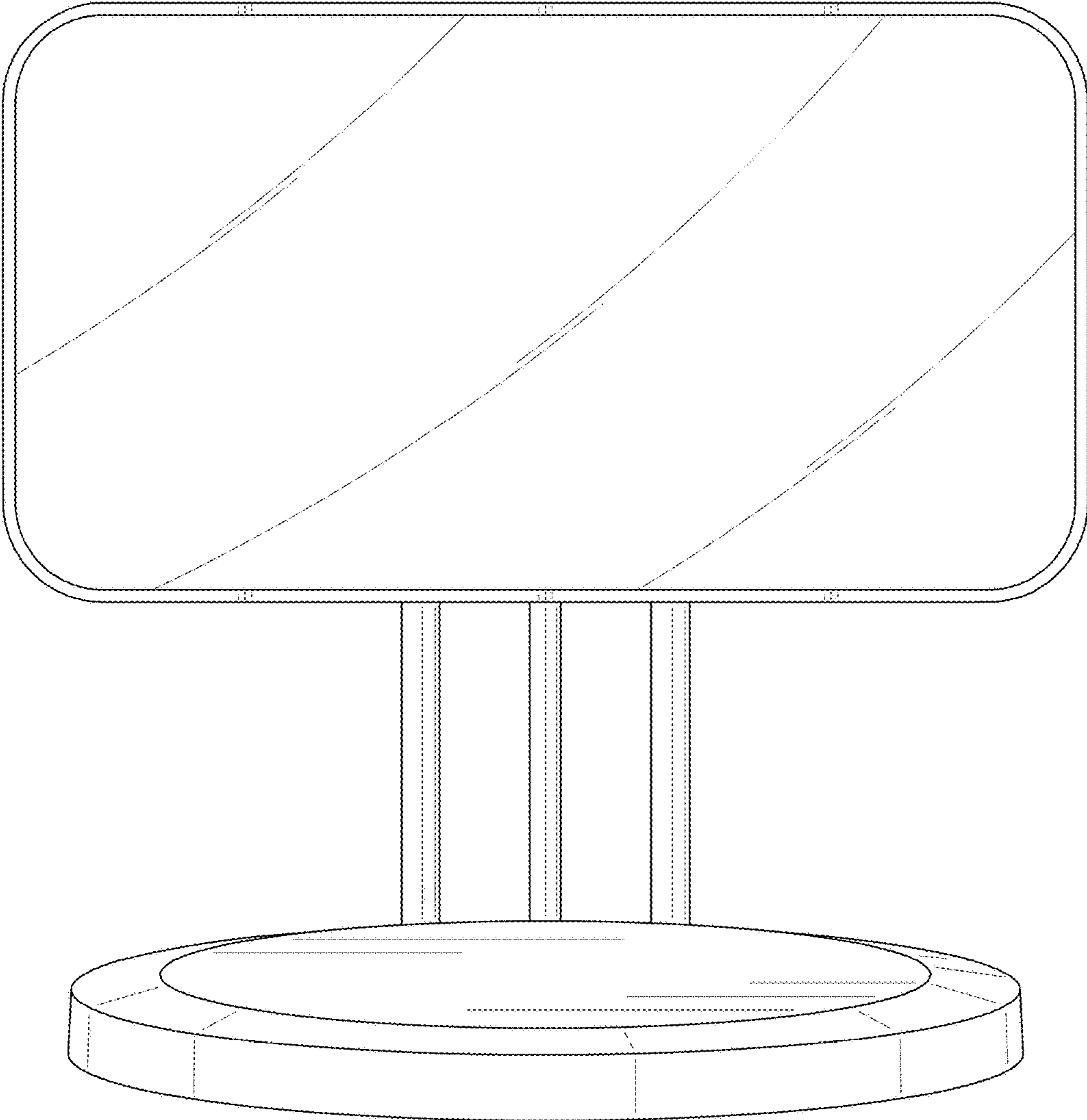


FIG. 2

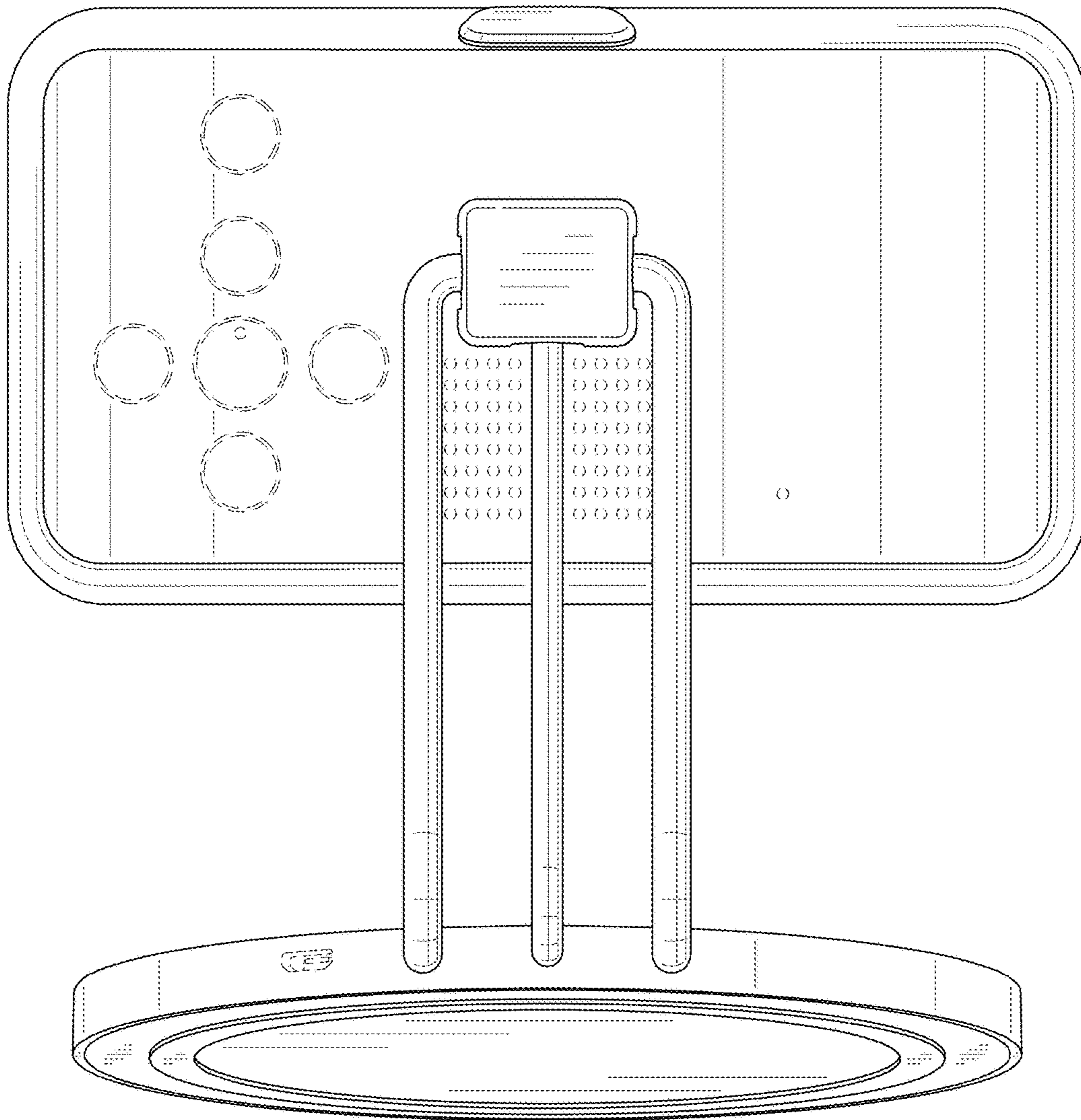


FIG. 3

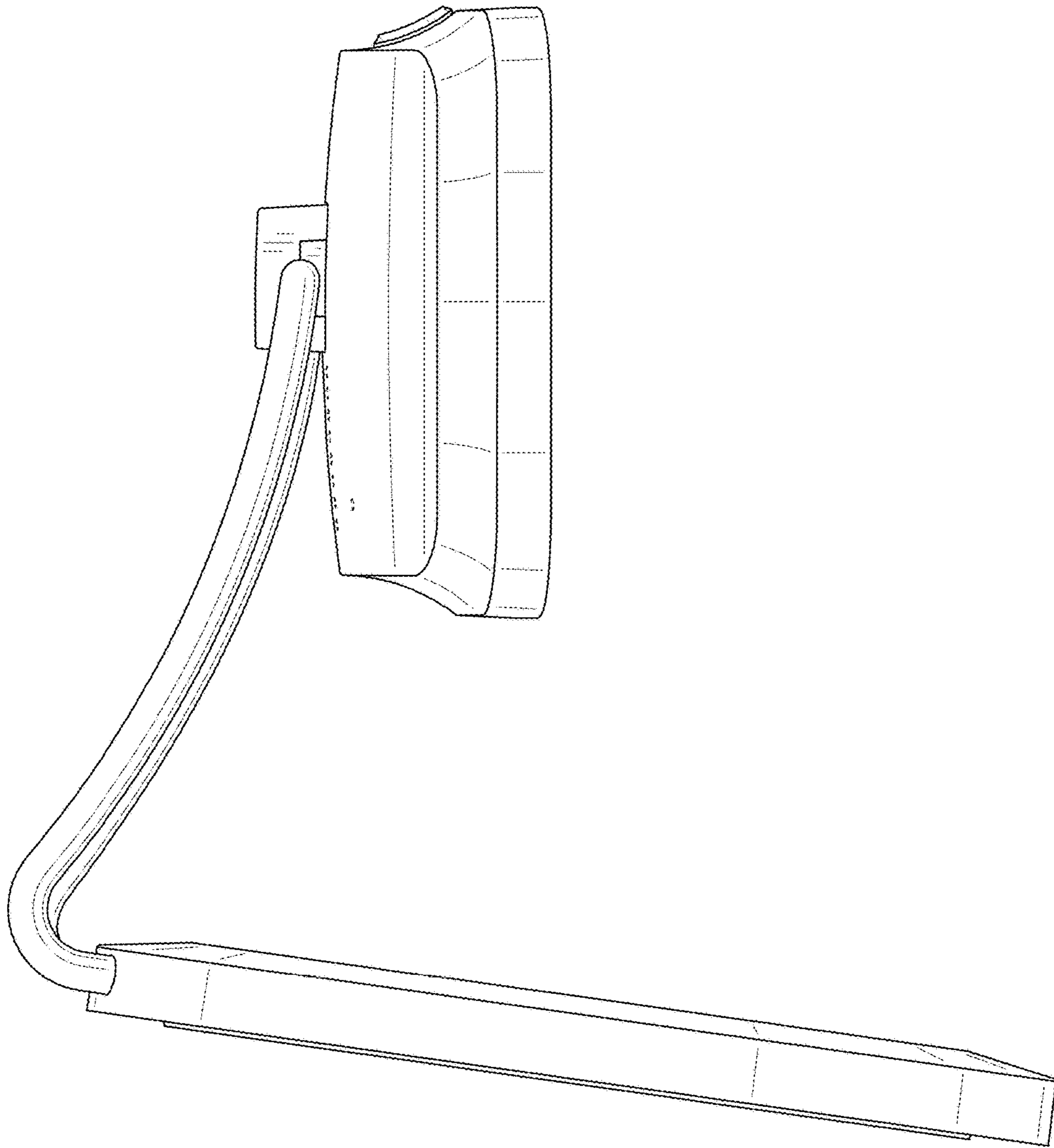


FIG. 4

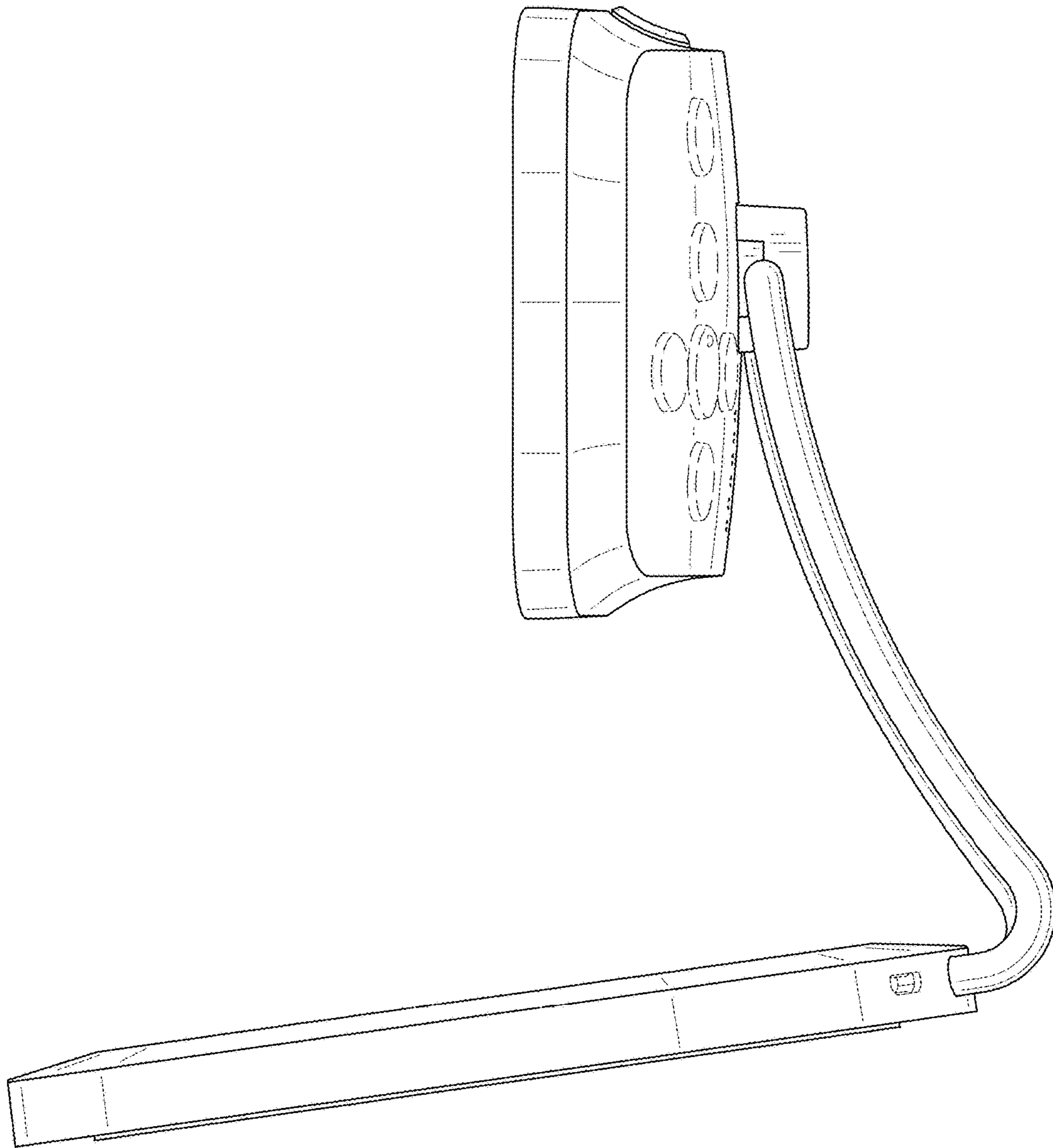


FIG. 5

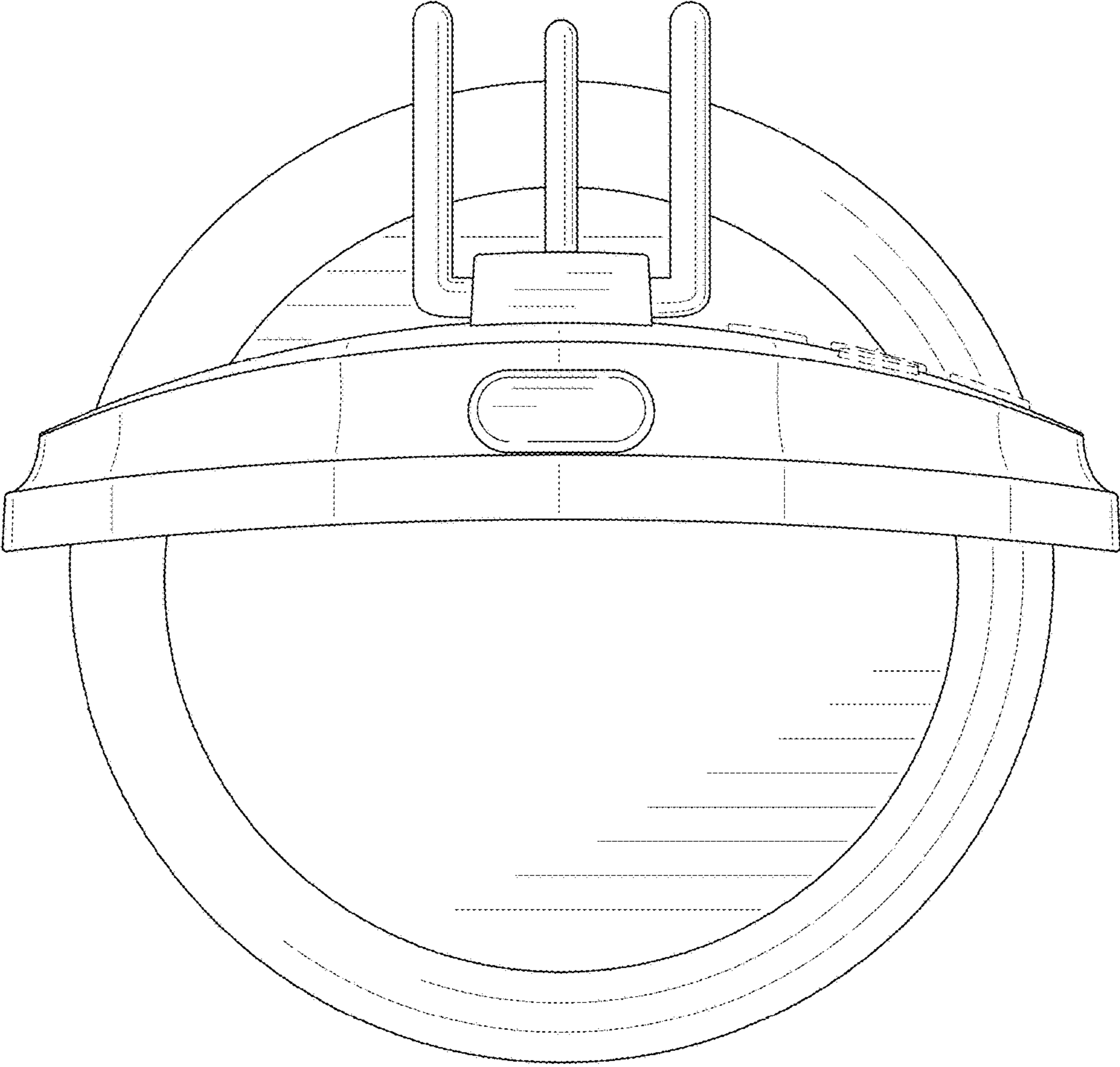


FIG. 6

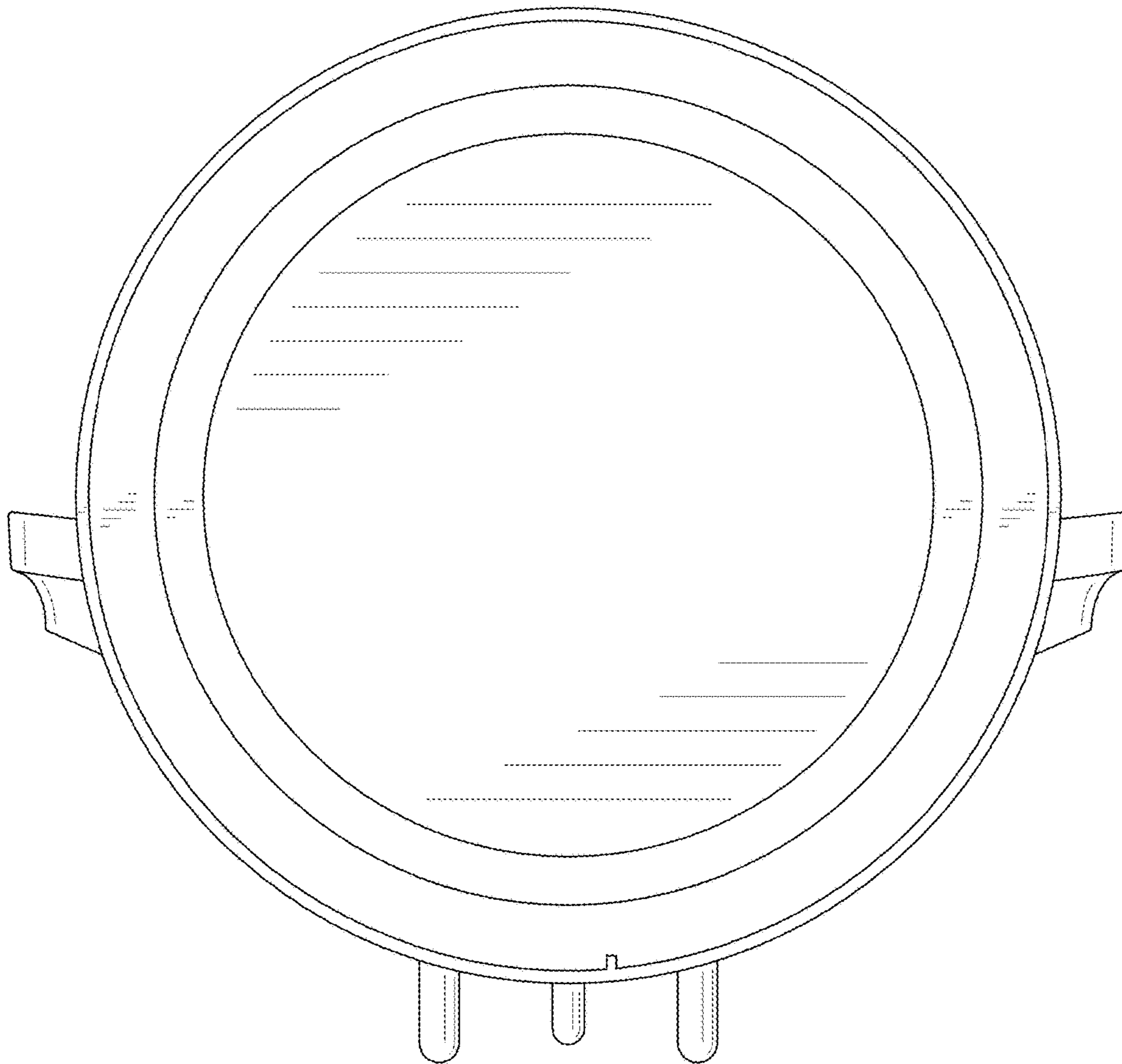


FIG. 7