



US00D828178S

(12) **United States Design Patent** (10) **Patent No.:** **US D828,178 S**  
**Katopis** (45) **Date of Patent:** **\*\* Sep. 11, 2018**

(54) **CYRILLIC LETTER STYLE BOTTLE**

D328,475 S 8/1992 Gould et al.  
D329,991 S 10/1992 Gonzales  
D338,154 S \* 8/1993 Breneman ..... D9/544  
(Continued)

(71) Applicant: **Chris J. Katopis**, Washington, DC  
(US)

(72) Inventor: **Chris J. Katopis**, Washington, DC  
(US)

(\*\*) Term: **15 Years**

(21) Appl. No.: **29/615,595**

(22) Filed: **Aug. 30, 2017**

(51) **LOC (11) Cl.** ..... **09-01**

(52) **U.S. Cl.**  
USPC ..... **D9/652**; D9/543; D9/548

(58) **Field of Classification Search**  
USPC ..... D3/270, 271.1-271.4; D7/510, 514-520,  
D7/599, 604, 613, 619.2, 623, 628;  
D9/600, 652, 500-505, 516, 522,  
D9/537-546, 571-575; 206/457, 459.5,  
206/488, 527; 215/381-384, 400;  
229/116.1

CPC ..... B65D 5/42; B65D 81/36; B65D 81/60;  
B65D 81/365; B65D 81/366; B65D  
81/368; B65D 2203/00; B65D 2203/02;  
B65D 67/00; B65D 79/00; A63H 33/16

See application file for complete search history.

(56) **References Cited**

**U.S. PATENT DOCUMENTS**

D85,336 S \* 10/1931 Kline ..... D9/573  
D176,590 S \* 1/1956 Breen ..... D9/522  
D249,780 S 10/1978 Gonzales  
D250,773 S 1/1979 May  
D253,049 S 10/1979 Escher  
D259,429 S 6/1981 Sullivan  
D267,588 S 1/1983 Goodell  
D286,707 S 11/1986 Summers  
D304,059 S 10/1989 Hong  
D315,186 S 3/1991 Peterson  
D325,615 S 4/1992 Matsch

**OTHER PUBLICATIONS**

“Crystal Pyramid Bottle,” scotlandglass.uk.co [retrieved Jul. 28, 2017]  
<URL://www.scotlandglass.co.uk/cms/index.php?page=shop\_product\_details&flypage=flypage.tpl &product\_id=>.

(Continued)

*Primary Examiner* — Sandra L Morris

(74) *Attorney, Agent, or Firm* — Chris J. Katopis

(57) **CLAIM**

The ornamental design for a Cyrillic letter style bottle, as shown and described.

**DESCRIPTION**

FIG. 1 is a front elevated perspective view of a first embodiment of a Cyrillic letter style bottle, showing the new design;

FIG. 2 is a front view thereof;

FIG. 3 is a rear view thereof;

FIG. 4 is a side view thereof;

FIG. 5 is the opposite side view thereof;

FIG. 6 is a top view thereof;

FIG. 7 is a bottom view thereof;

FIG. 8 is a front elevated perspective view of a second embodiment thereof;

FIG. 9 is a front view thereof;

FIG. 10 is rear view thereof;

FIG. 11 is a side view thereof;

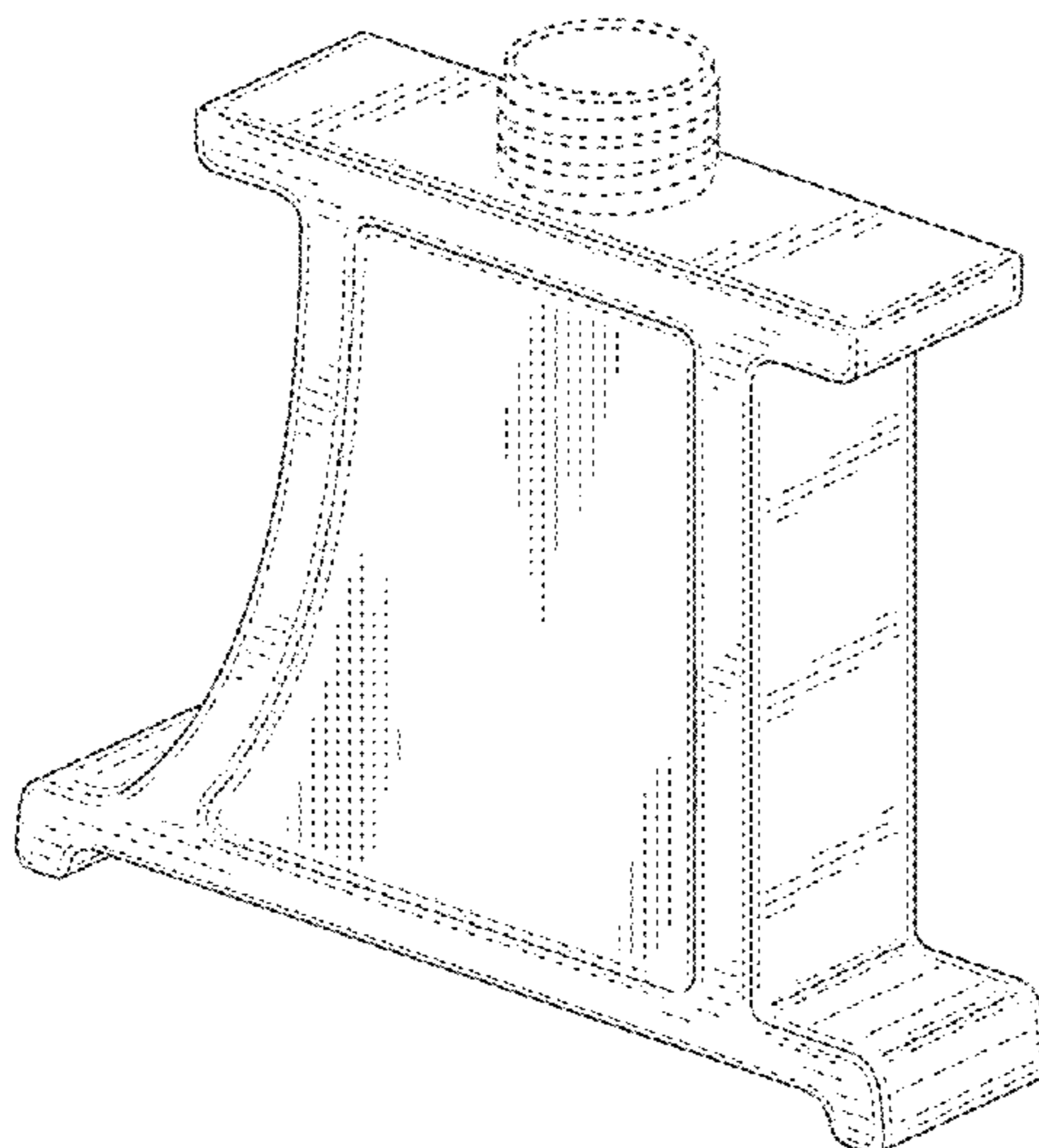
FIG. 12 is the opposite side view thereof;

FIG. 13 is a top view thereof; and,

FIG. 14 is a bottom view thereof.

In all figures, any showing of the environment and/or drawing disclosure by broken lines is for illustrative purposes only and forms no part of the claimed design.

**1 Claim, 14 Drawing Sheets**



(56)

References Cited

U.S. PATENT DOCUMENTS

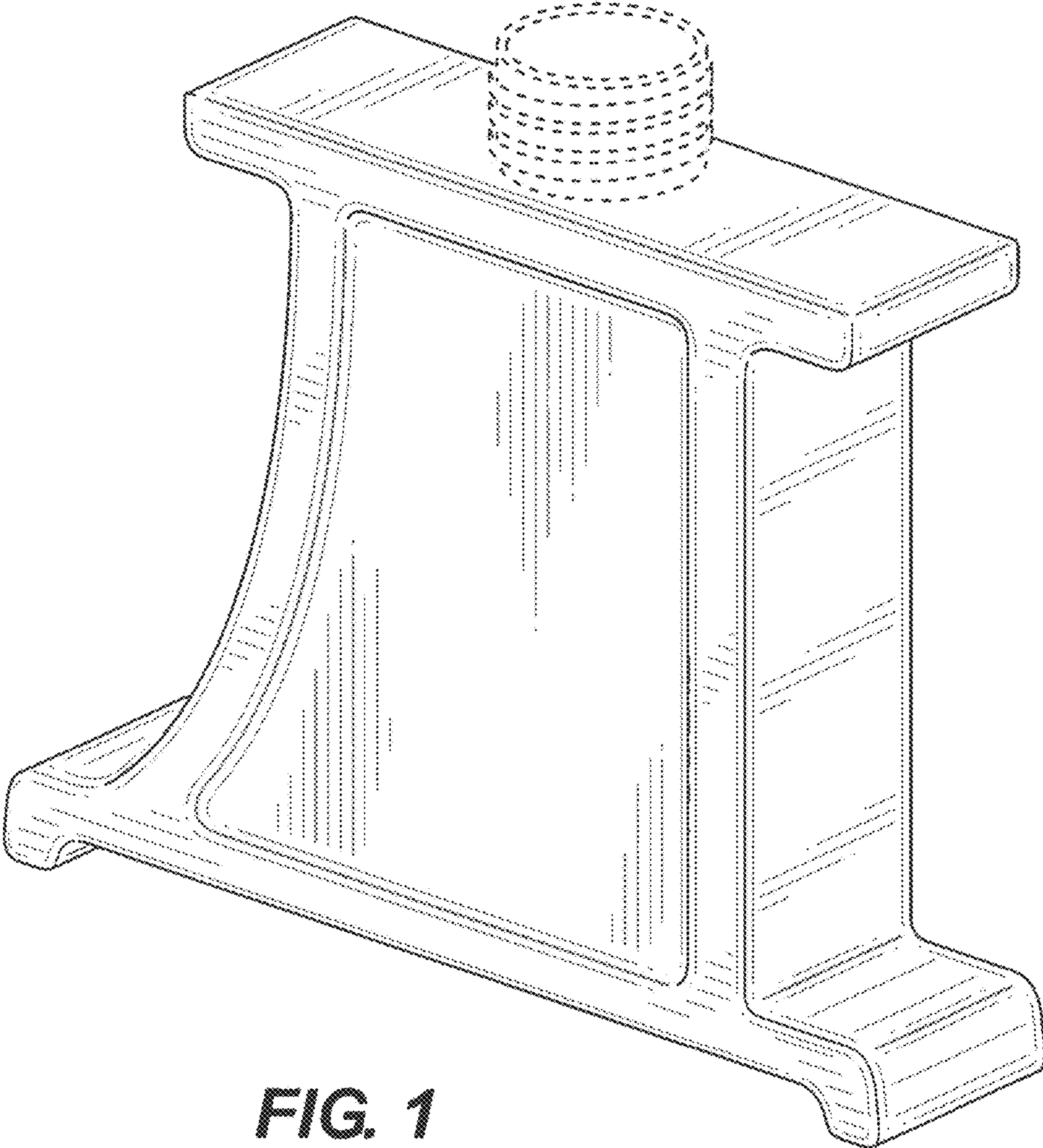
D343,754 S 2/1994 Pierce et al.  
 D357,432 S 4/1995 Snodgrass  
 D366,512 S 1/1996 Ziegler, Jr. et al.  
 D367,384 S 2/1996 DiFranco et al.  
 D373,675 S 9/1996 McMullin  
 D375,421 S 11/1996 Weiner  
 D390,119 S 2/1998 Barre  
 D409,414 S 5/1999 Weiner  
 D411,605 S 6/1999 Acosta  
 D422,027 S 3/2000 Weiner  
 D426,426 S 6/2000 Williams et al.  
 D444,728 S 7/2001 Dohrmann  
 D445,721 S 7/2001 McLeish et al.  
 D447,973 S 9/2001 Dohrmann  
 D459,229 S 6/2002 Paul  
 D467,096 S 12/2002 DiCostanzo  
 D475,444 S 6/2003 Laferriere et al.  
 D478,194 S 8/2003 McGinty  
 D482,110 S 11/2003 Laferriere et al.  
 D482,111 S 11/2003 Laferriere et al.  
 D484,422 S 12/2003 Hnidak  
 D517,414 S \* 3/2006 Abadinsky ..... D9/522  
 D526,572 S 8/2006 Lemaire  
 D535,000 S 1/2007 Reeder  
 D547,201 S 7/2007 Zeller  
 D551,116 S 9/2007 Devory, Jr.

D569,267 S 5/2008 Calmels  
 D574,293 S 8/2008 Devory, Jr.  
 D597,846 S \* 8/2009 Brady ..... D9/542  
 D606,413 S \* 12/2009 Dammkoehler ..... D9/541  
 D609,574 S \* 2/2010 Holmes ..... D9/542  
 D631,751 S 2/2011 Fox et al.  
 D649,884 S 12/2011 Guess  
 D695,130 S 12/2013 Revivo  
 D703,212 S 4/2014 Cruz et al.  
 D703,488 S \* 4/2014 De Veiga Martins ..... D9/600  
 D713,874 S 9/2014 Riddle et al.  
 D716,646 S 11/2014 Ng  
 D719,480 S 12/2014 Carter  
 D727,790 S 4/2015 Ramadan  
 D732,975 S 6/2015 Hua  
 D739,258 S \* 9/2015 Mai ..... D9/543  
 D743,826 S 11/2015 Schrade  
 D776,545 S 1/2017 Wiggins

OTHER PUBLICATIONS

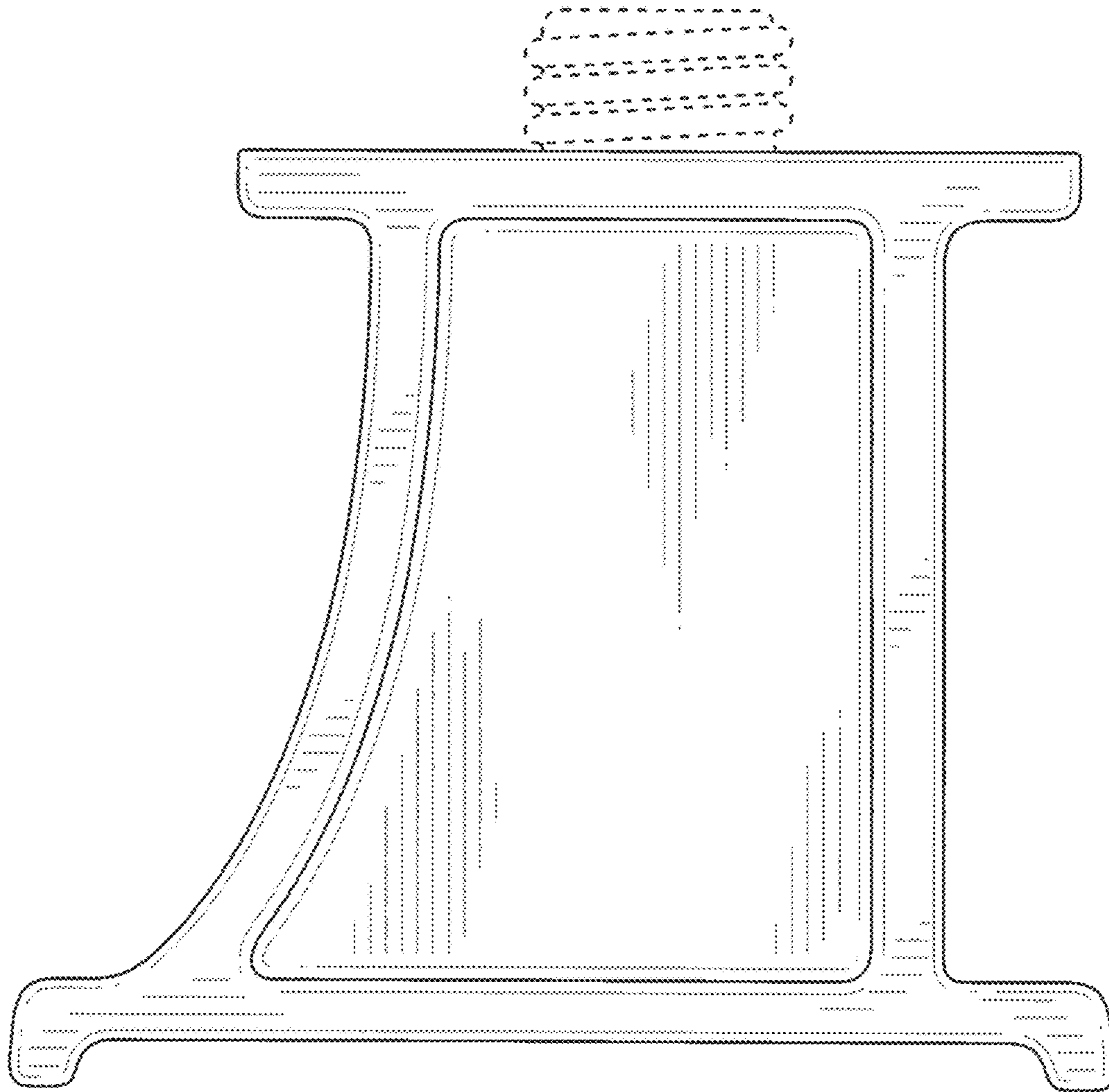
“Design a Pyramid themed cologne bottle,” [www.freelancer.com](http://www.freelancer.com) [retrieved Jul. 28, 2017] <URL: [www.freelancer.com/contest/Design-a-Pyramid-themed-cologne-bottle-1039157.html](http://www.freelancer.com/contest/Design-a-Pyramid-themed-cologne-bottle-1039157.html)>.  
 “Crystal Pyramid Shape Perfume Bottle with Round Dauber Top RCR Italy,” [retrieved Jul. 28, 2017] <URL: <https://www.pinterest.com/pin/531072981035398227>>.

\* cited by examiner

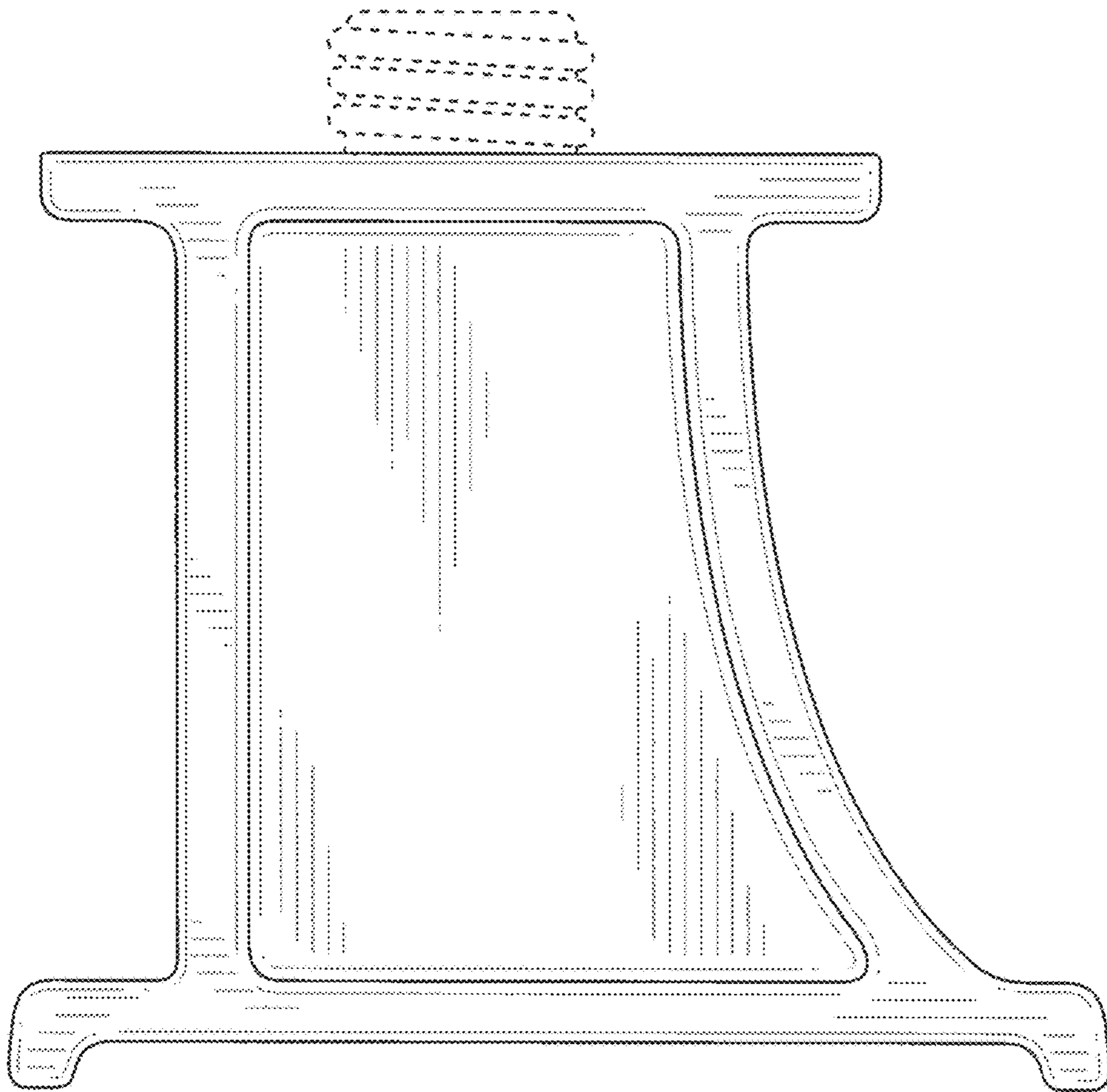


**FIG. 1**

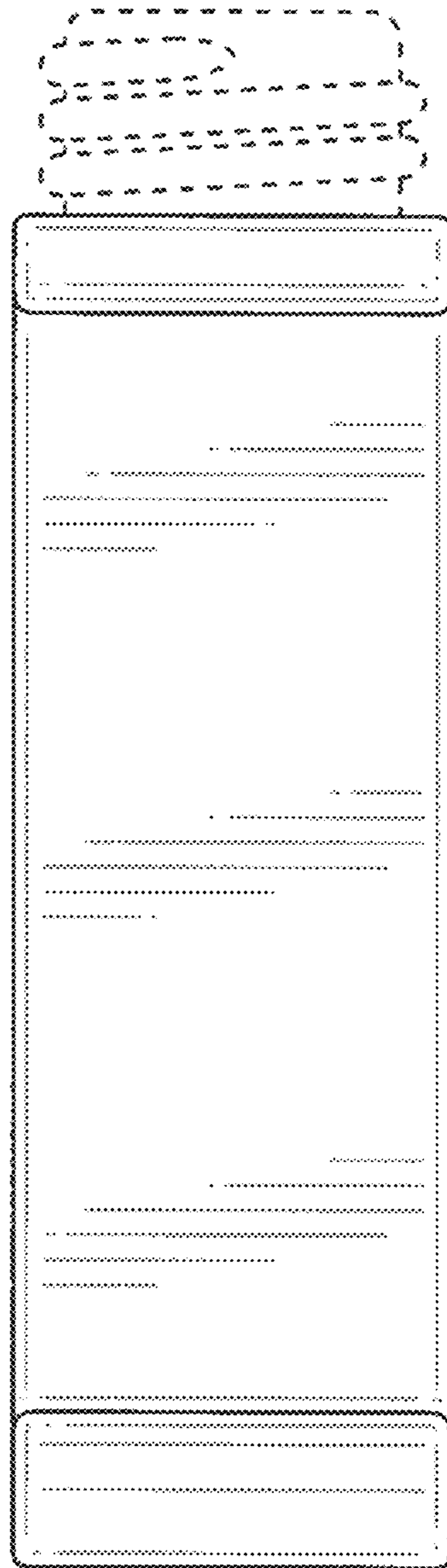




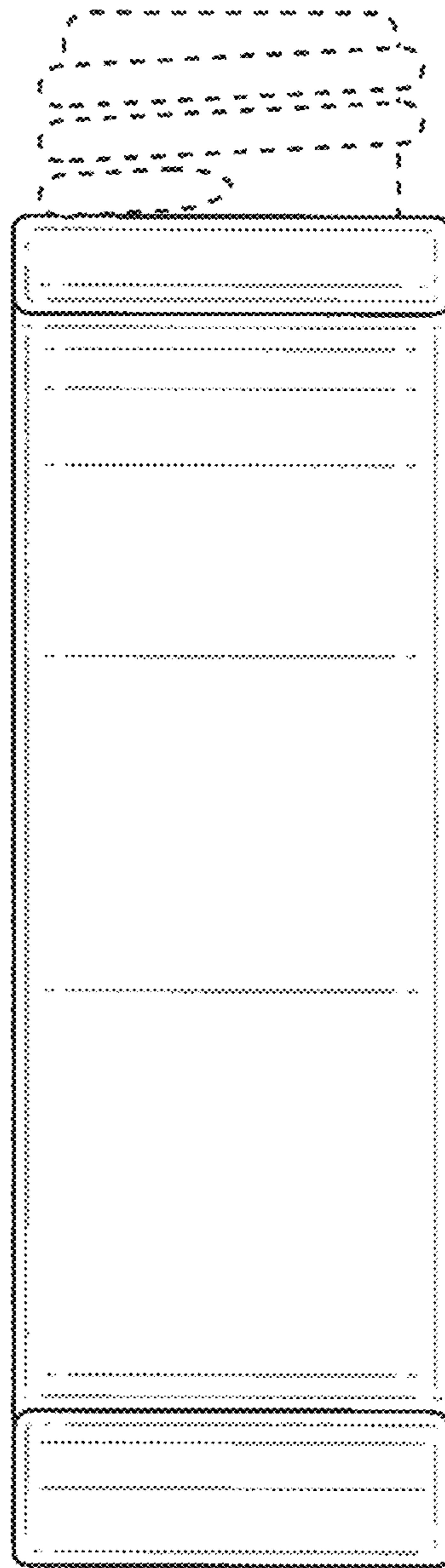
**FIG. 2**



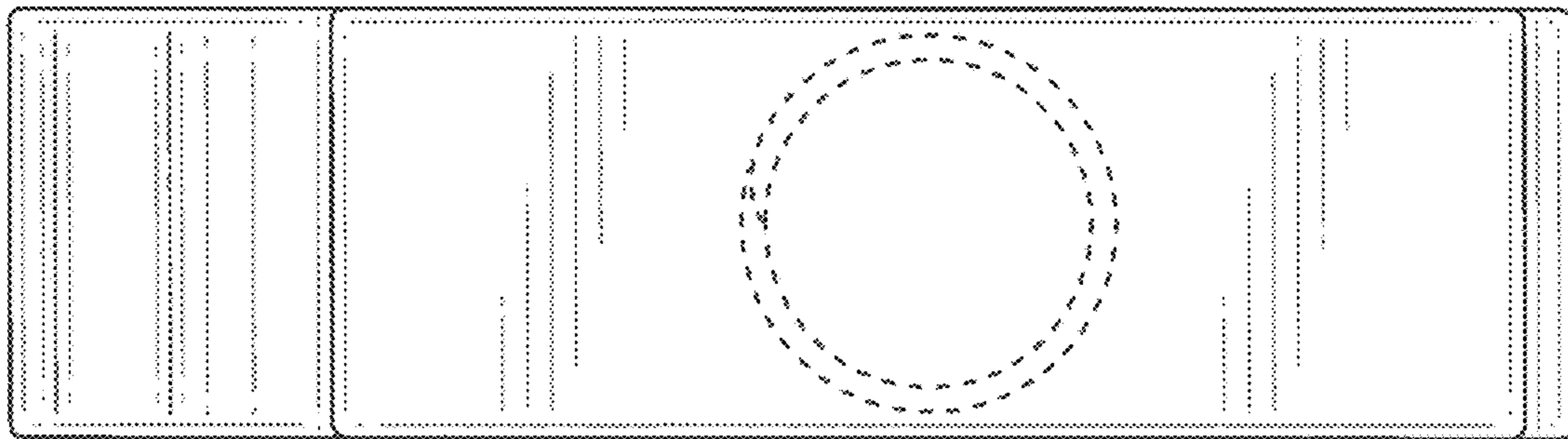
**FIG. 3**



**FIG. 4**

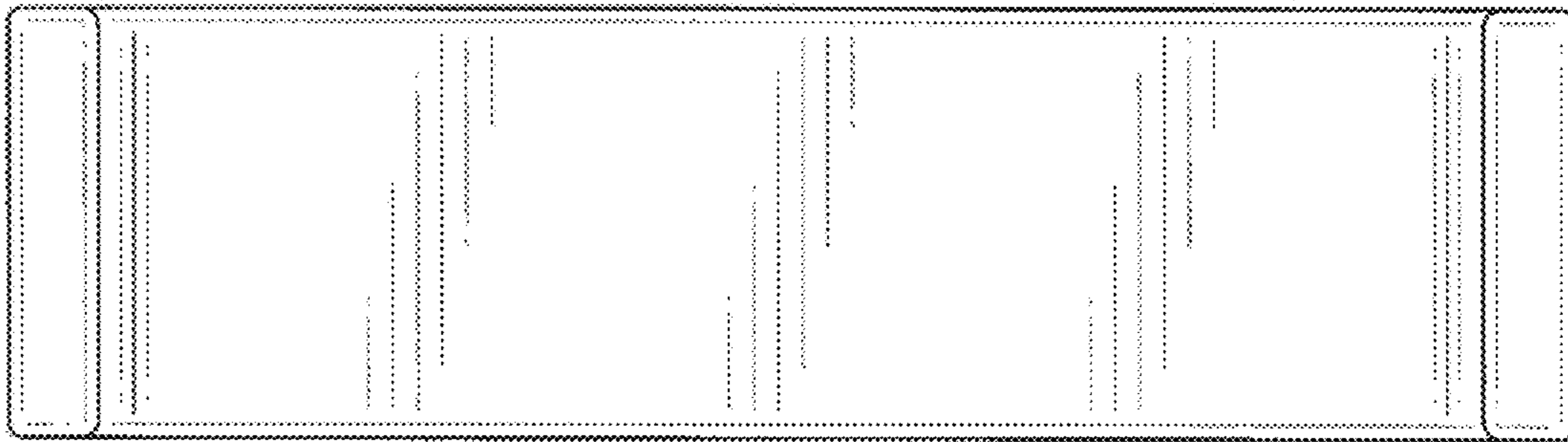


**FIG. 5**

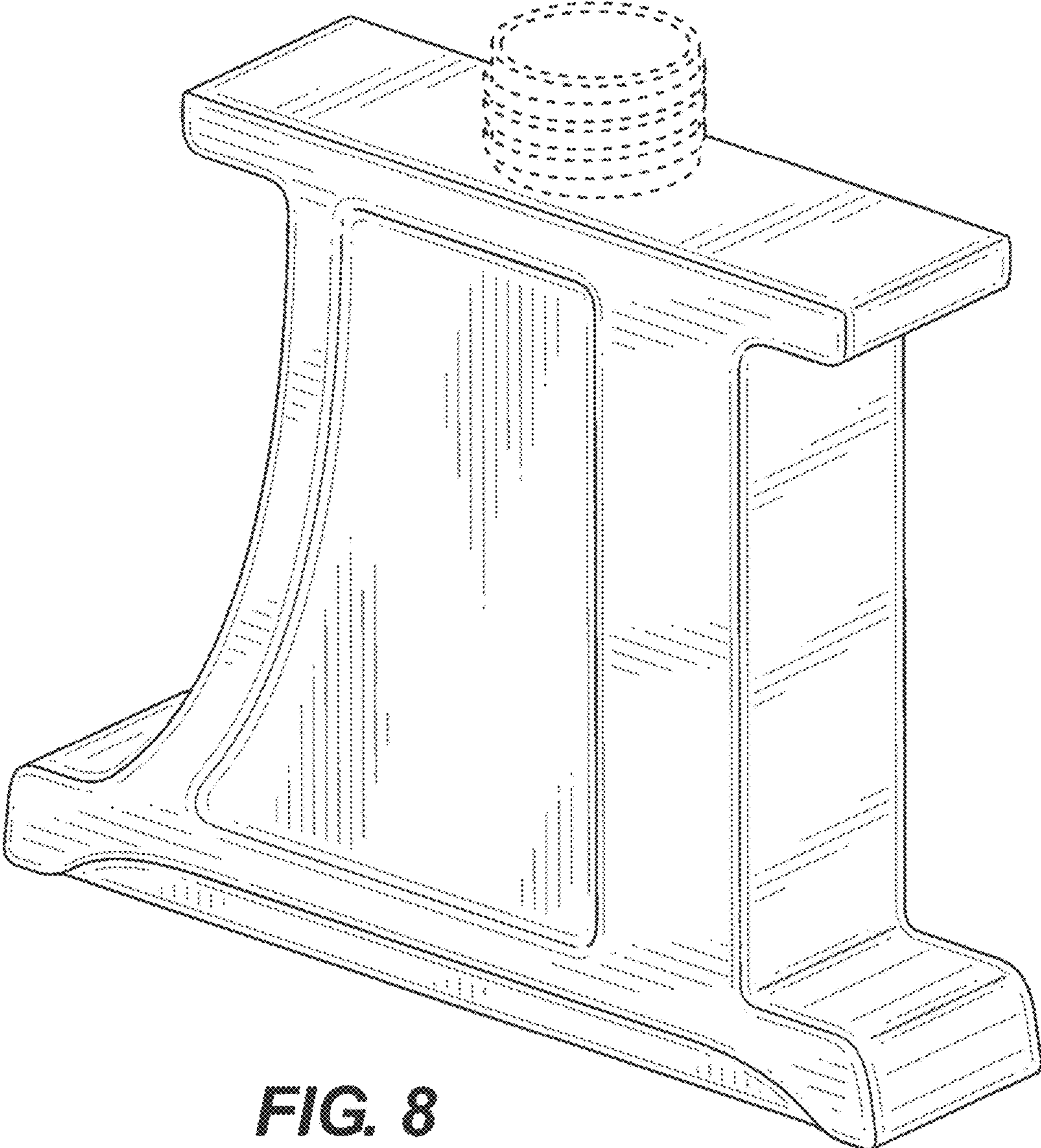


**FIG. 6**

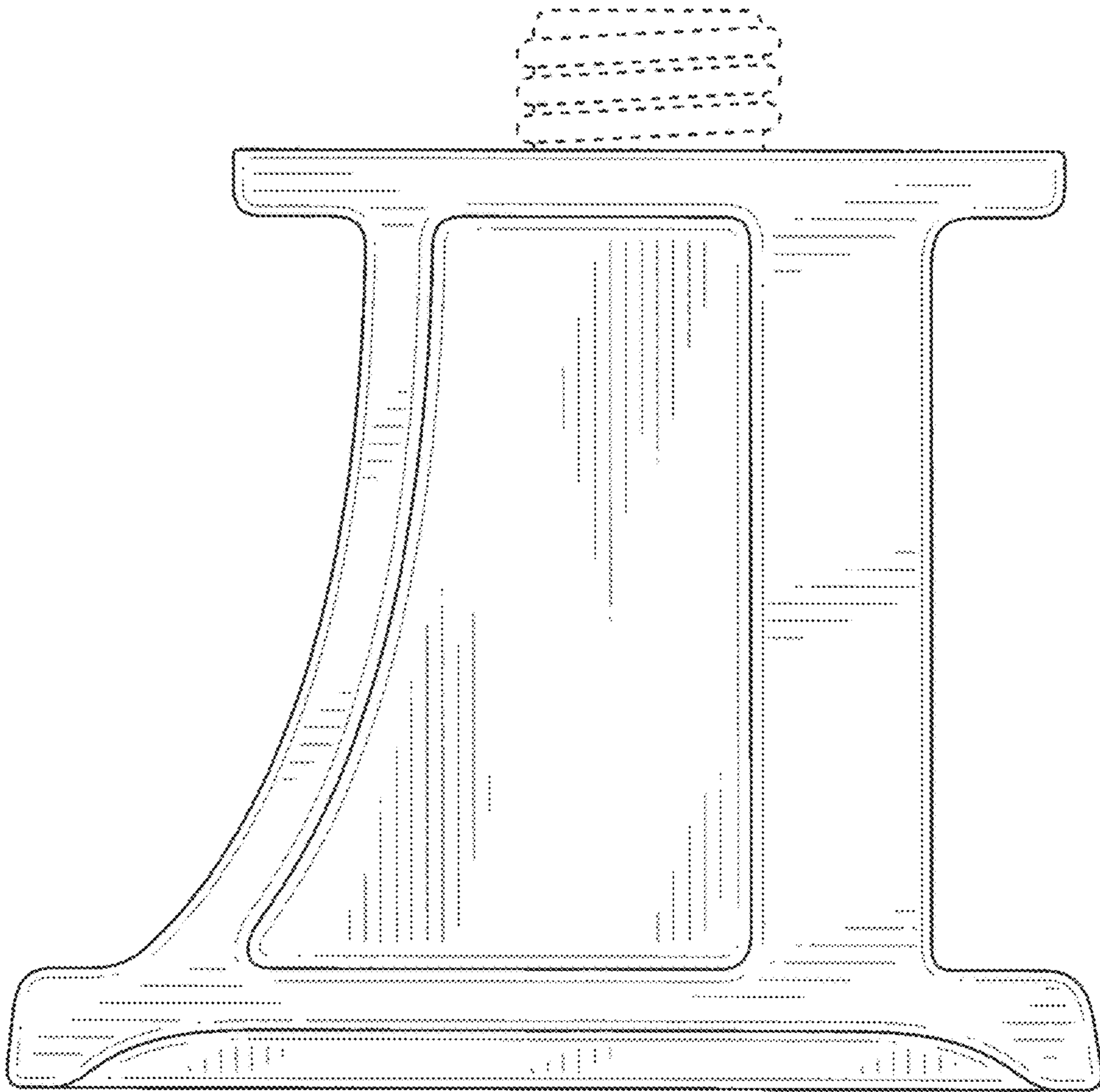




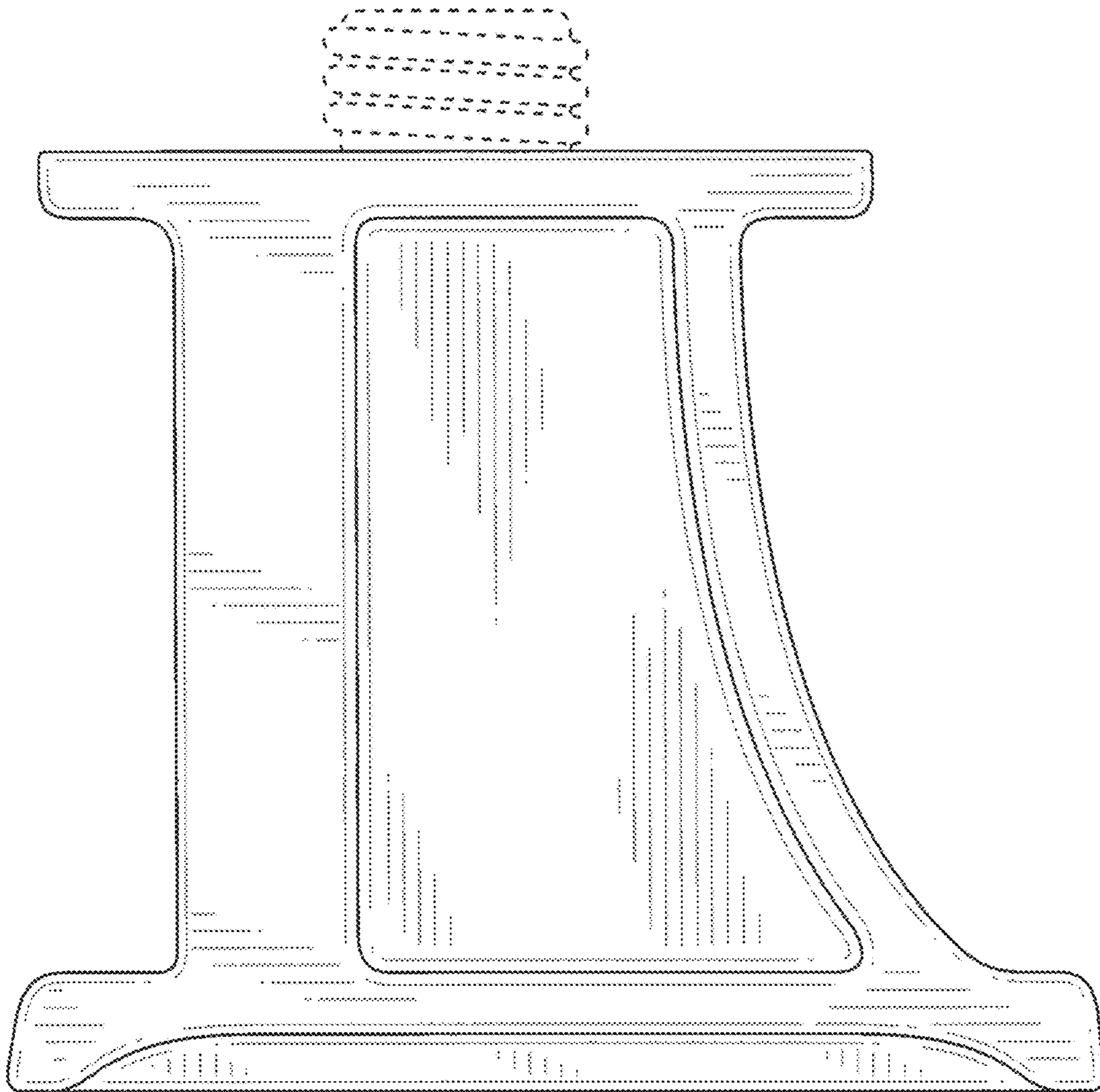
**FIG. 7**



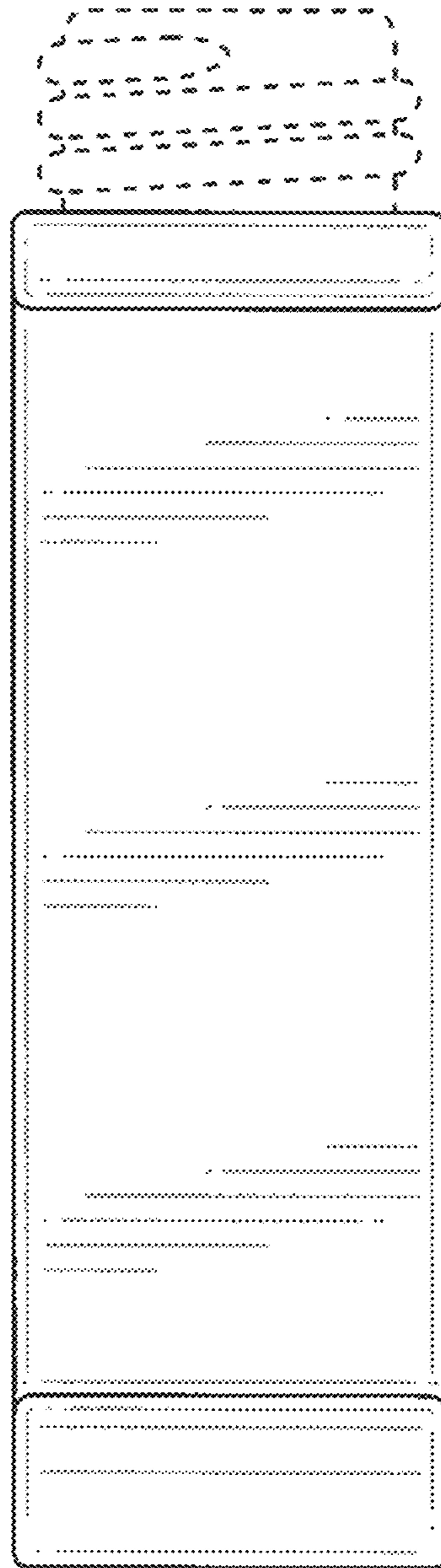
**FIG. 8**



**FIG. 9**

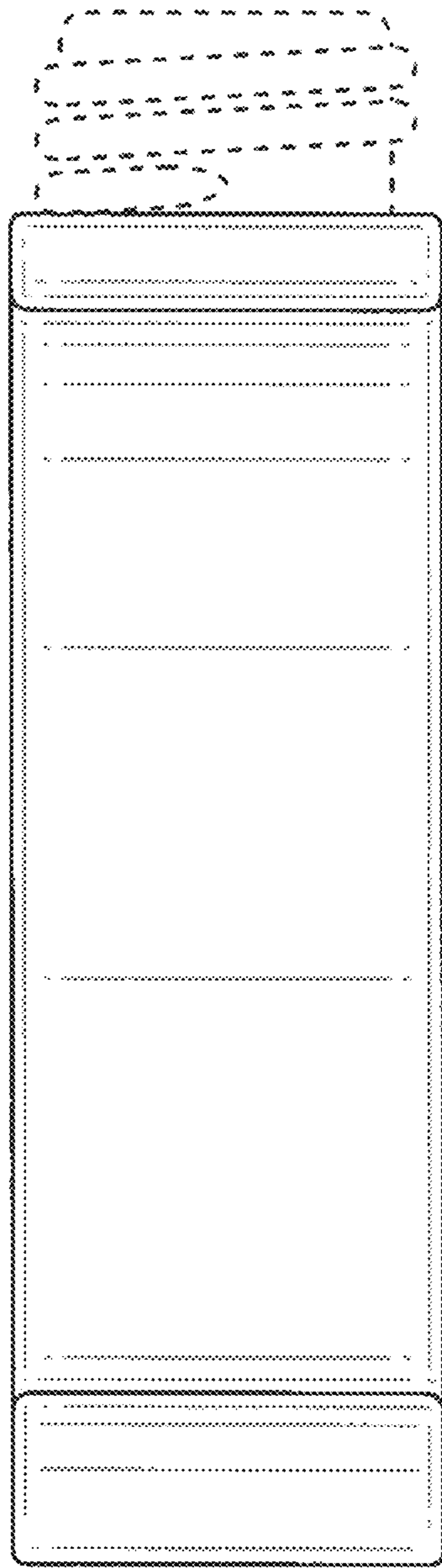


**FIG. 10**

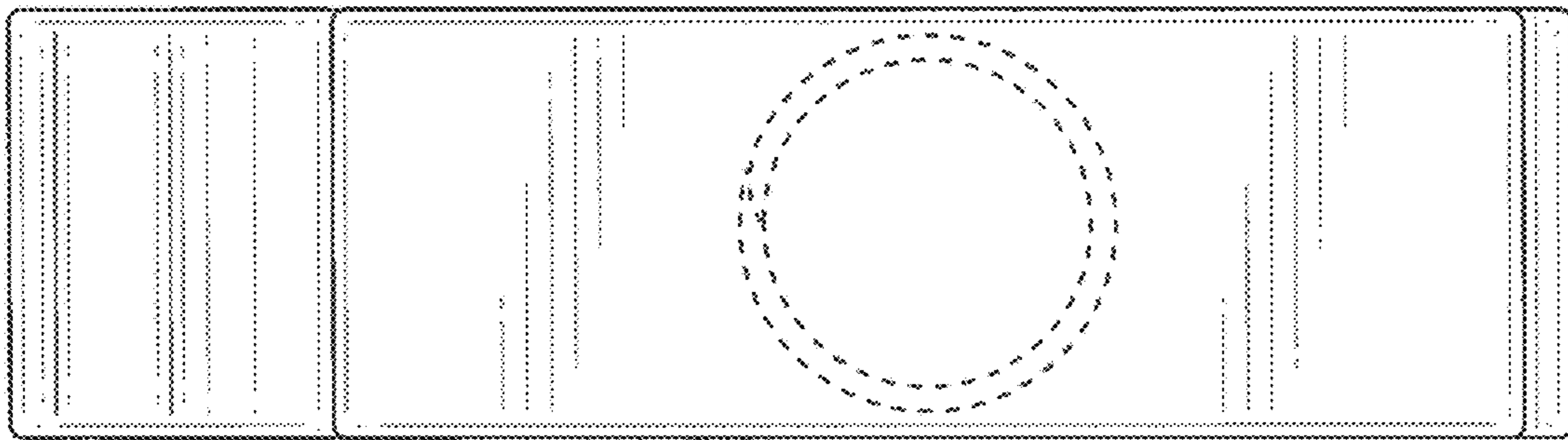


**FIG. 11**

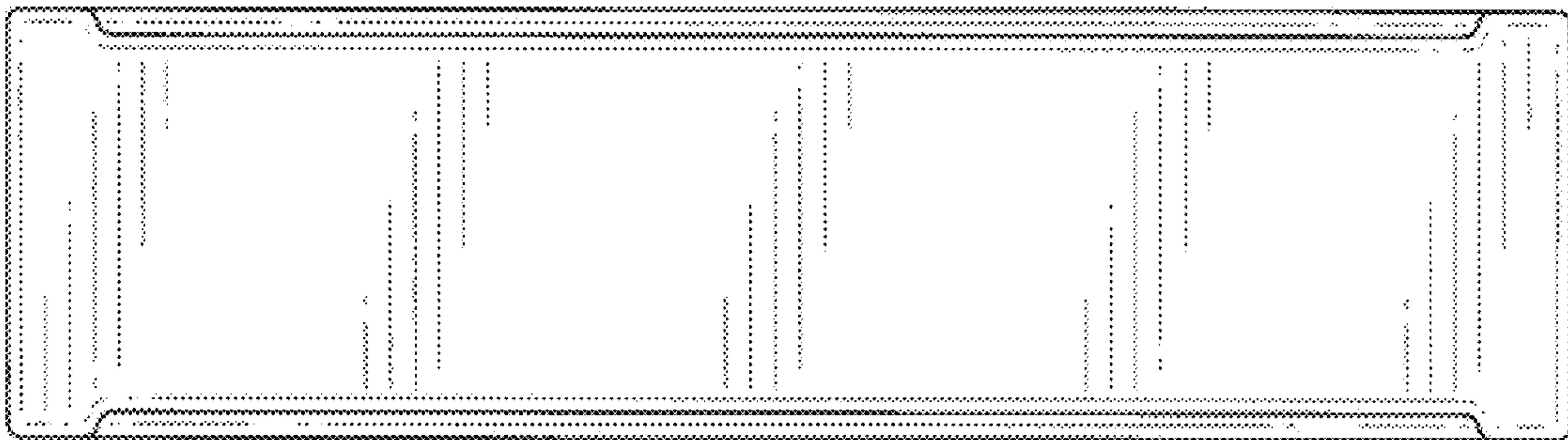




**FIG. 12**



**FIG. 13**



**FIG. 14**