



US00D828171S

(12) **United States Design Patent**
Bos et al.

(10) **Patent No.:** **US D828,171 S**

(45) **Date of Patent:** **** Sep. 11, 2018**

(54) **BOTTLE WITH CAP**

(71) Applicant: **Reckitt Benckiser (Brands) Limited,**
Slough (GB)

(72) Inventors: **Randy Franciscus Jozef Bos,**
Eindhoven (NL); **Bas Groenendaal,**
Eindhoven (NL)

(73) Assignee: **RECKITT BENCKISER (BRANDS)**
LIMITED, Slough (GB)

(**) Term: **15 Years**

(21) Appl. No.: **29/615,980**

(22) Filed: **Sep. 1, 2017**

(30) **Foreign Application Priority Data**

Mar. 22, 2017 (EM) 003817485-0001

(51) **LOC (11) Cl.** **09-01**

(52) **U.S. Cl.**
USPC **D9/529**

(58) **Field of Classification Search**
USPC D7/509–511, 523; D9/435, 436, 439,
D9/440, 443, 447, 454, 500, 503–505,
D9/516–575, 763–783; 215/40–55,
215/316–354, 370–385; 220/574–575
CPC B65D 1/00; B65D 1/02; B65D 1/0223;
B65D 1/023; B65D 1/0276
See application file for complete search history.

(56) **References Cited**

U.S. PATENT DOCUMENTS

5,105,989 A * 4/1992 Gutkowski B65D 47/0838
222/182
D407,316 S * 3/1999 Zaksenberg D9/523
D414,117 S * 9/1999 Mikla D9/529
D437,559 S * 2/2001 Fenton D9/558
D545,210 S * 6/2007 Armstrong D9/446

D602,356 S * 10/2009 Shurtleff D9/449
D612,737 S * 3/2010 Bansal D9/447
D635,024 S * 3/2011 Stolle D9/435
D635,860 S * 4/2011 Sahu D9/529
D666,103 S * 8/2012 Blachford D9/449
D737,682 S * 9/2015 Gutekunst D9/522
D739,750 S * 9/2015 Luijendijk D9/449
D741,182 S * 10/2015 Davis D9/529
D743,801 S * 11/2015 Halloran D9/542
D787,944 S * 5/2017 Bos D9/530
D788,590 S * 6/2017 Bos D9/530
D790,972 S * 7/2017 Keller D9/529

(Continued)

OTHER PUBLICATIONS

“Review and Giveaway: New Dettol Radiance Body Wash.”
miwitch.com. Apr. 28, 2013. Accessed Jul. 5, 2018. Available online
at URL: <<http://www.miwitch.com/2013/04/review-giveaway-new-dettol-radiance.html>> (Year: 2013).*

(Continued)

Primary Examiner — Cathron C Brooks

Assistant Examiner — Chrisitan P. McLean

(74) *Attorney, Agent, or Firm* — Troutman Sanders LLP;
Ryan Schneider; Chris Davis

(57) **CLAIM**

The ornamental design for a bottle with cap, as shown and
described.

DESCRIPTION

FIG. 1 is a perspective view of our new design for a bottle
with cap;

FIG. 2 is a front elevation view thereof;

FIG. 3 is a back elevation view thereof;

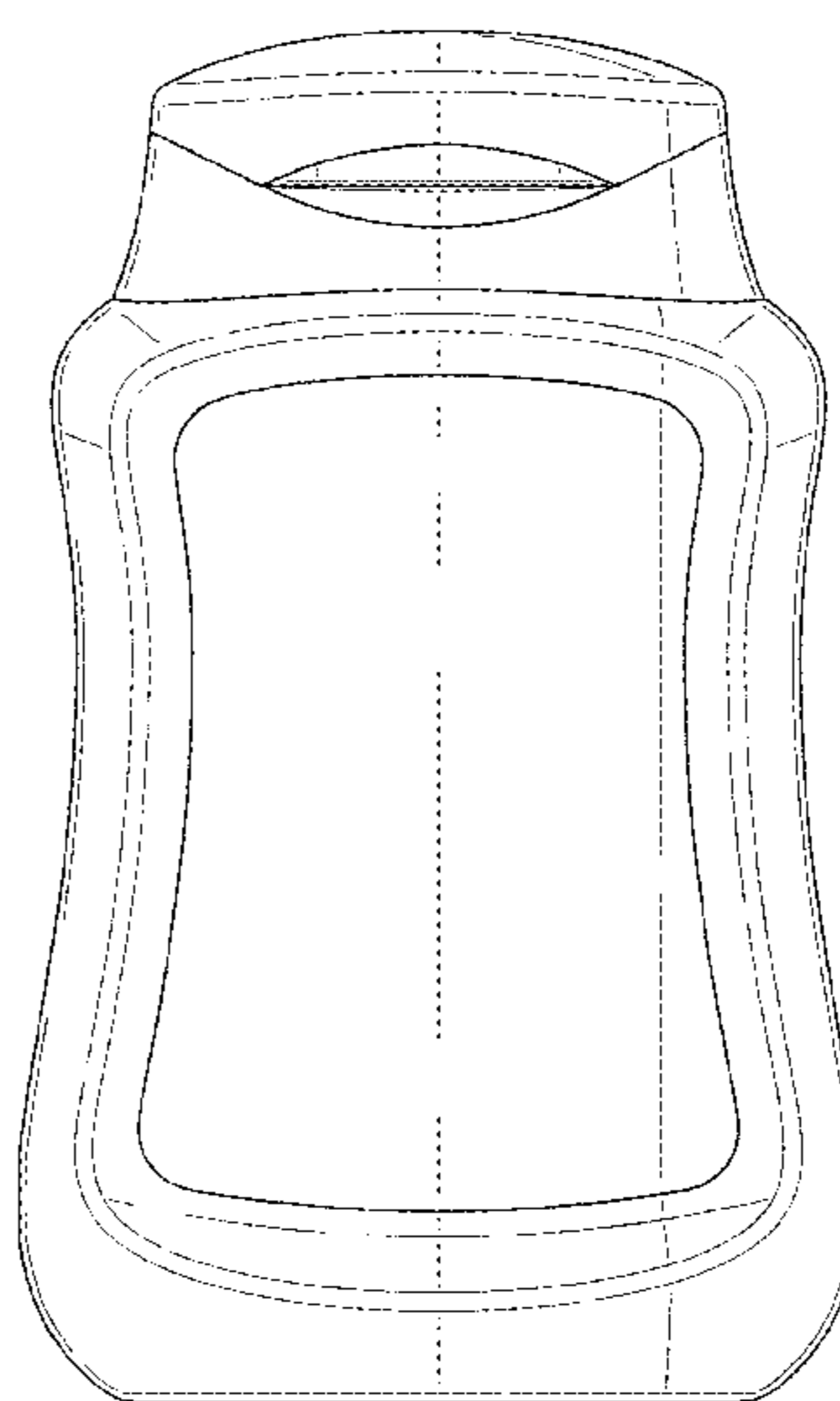
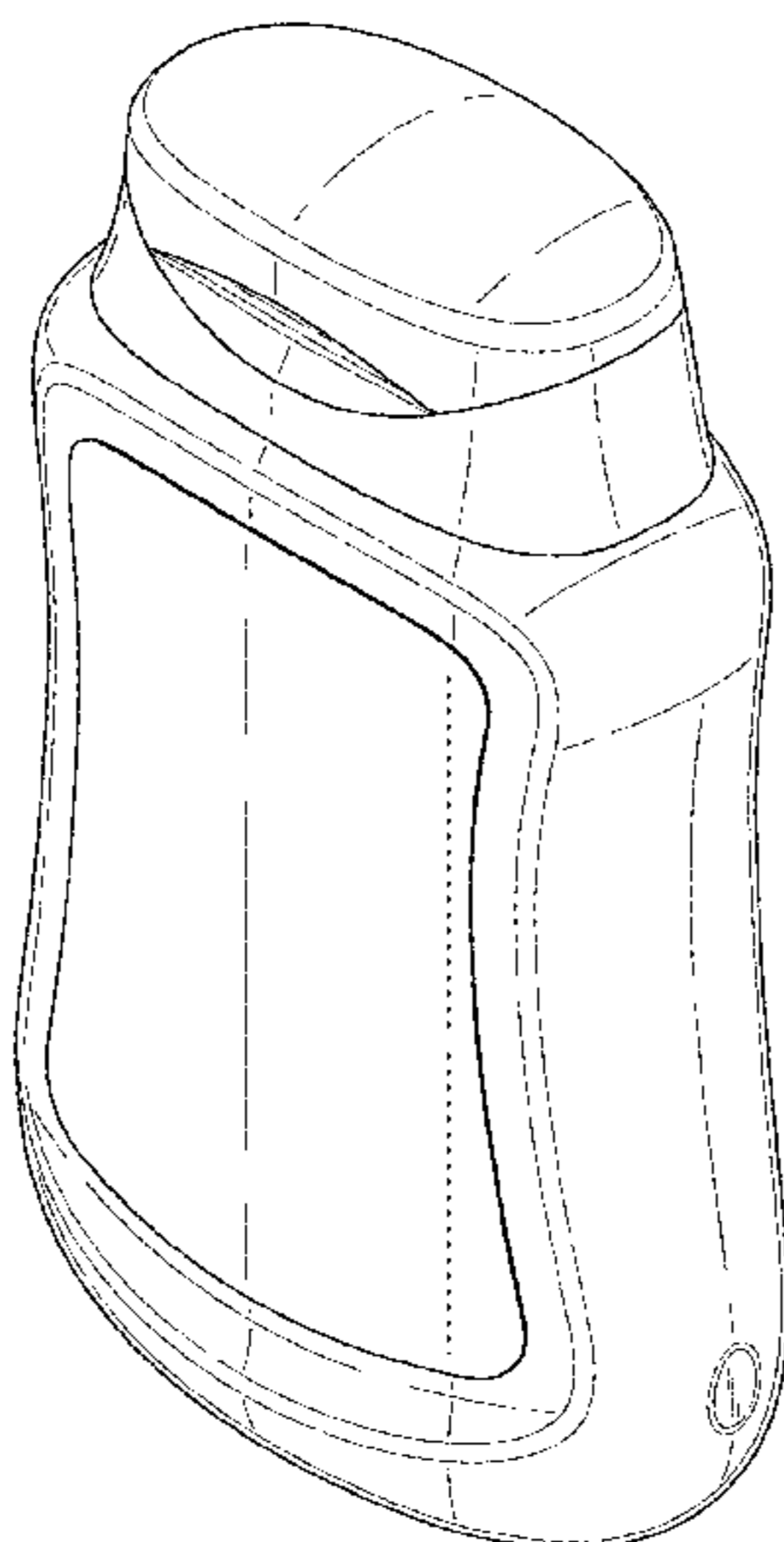
FIG. 4 is a left side elevation view thereof;

FIG. 5 is a right side view thereof;

FIG. 6 is a top plan view thereof; and,

FIG. 7 is a bottom plan view thereof.

1 Claim, 5 Drawing Sheets



(56)

References Cited

U.S. PATENT DOCUMENTS

D807,186 S * 1/2018 Beauchamp D9/542
D817,175 S * 5/2018 Gelov D9/529
2006/0065618 A1* 3/2006 Pedmo B65D 1/0223
215/381

OTHER PUBLICATIONS

“Kraft Mayonnaise, 22-Ounce Squeeze Bottles (Pack of 2).” amazon.com. Available Oct. 10, 2010. Accessed Jul. 9, 2018. Available online via Internet Archive Wayback Machine at: <<https://web.archive.org/web/20101010021632/https://www.amazon.com/Kraft-Mayonnaise-22-Ounce-Squeeze-Bottles/dp/B003VNAPMG>> (Year: 2010).*

* cited by examiner

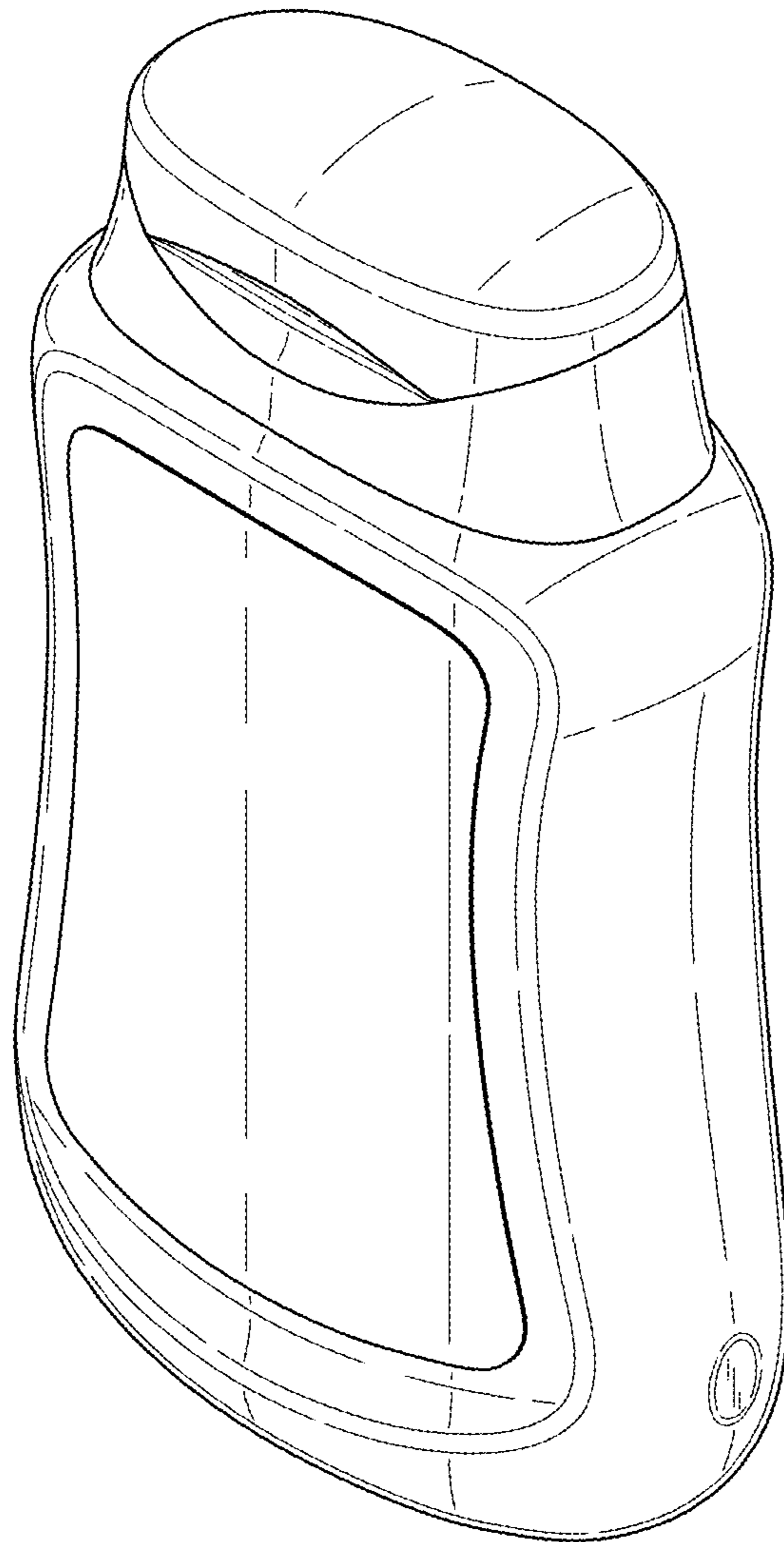


Fig. 1

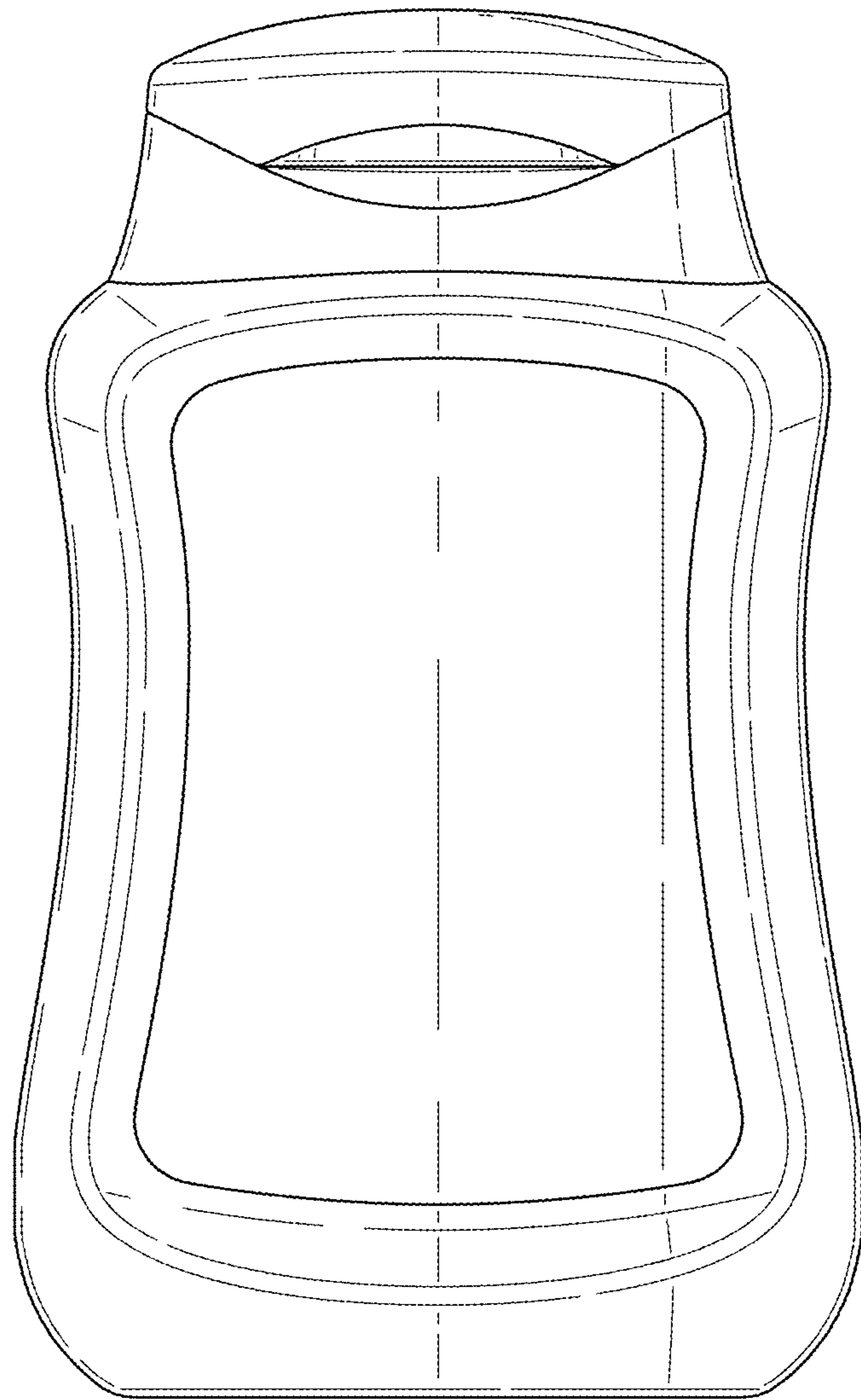


Fig. 2

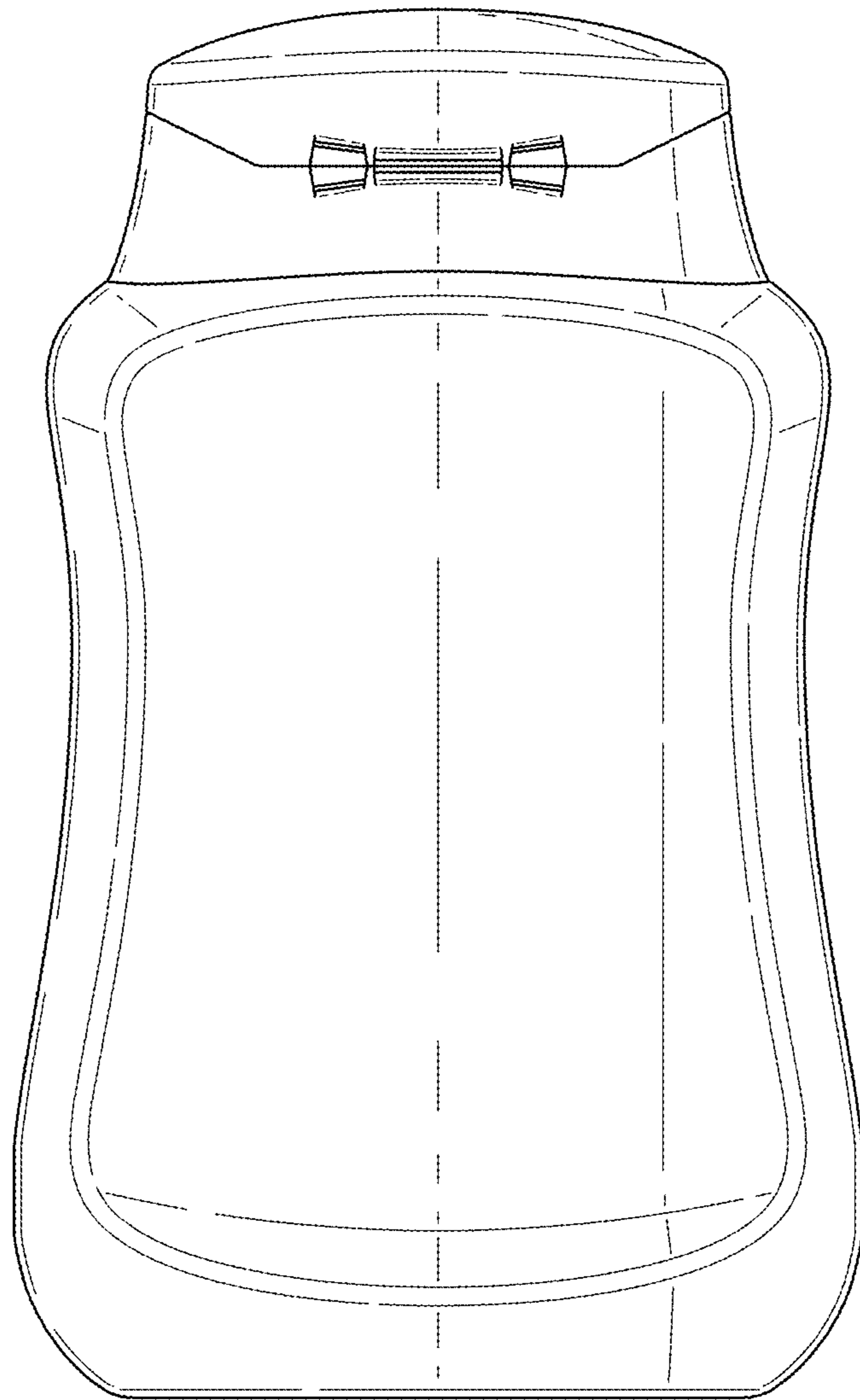


Fig. 3

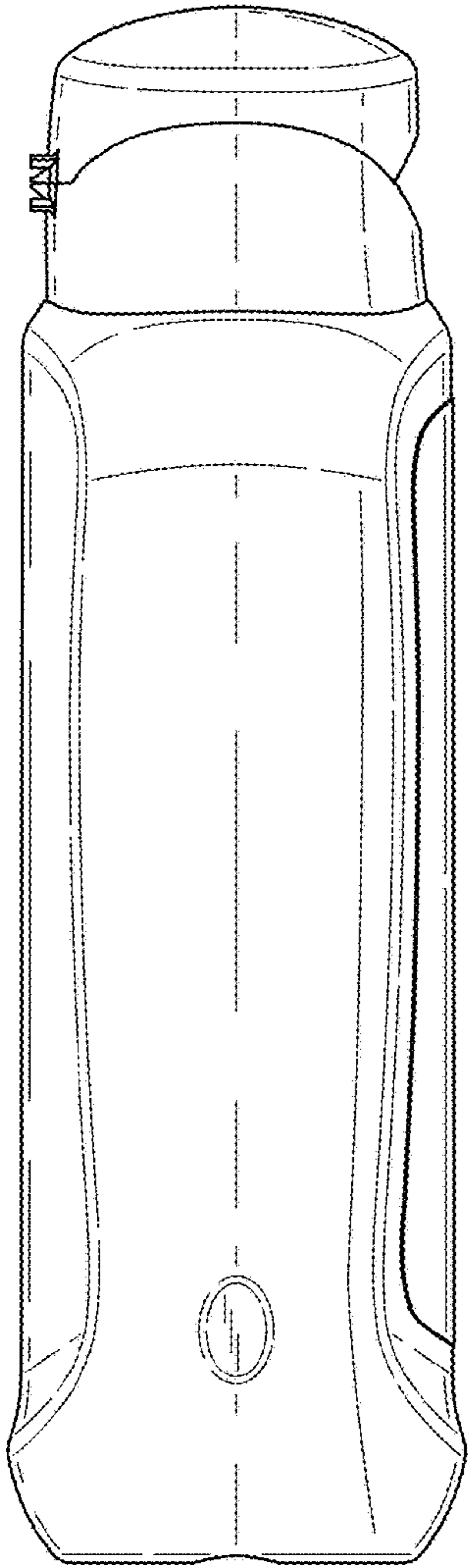


Fig. 4

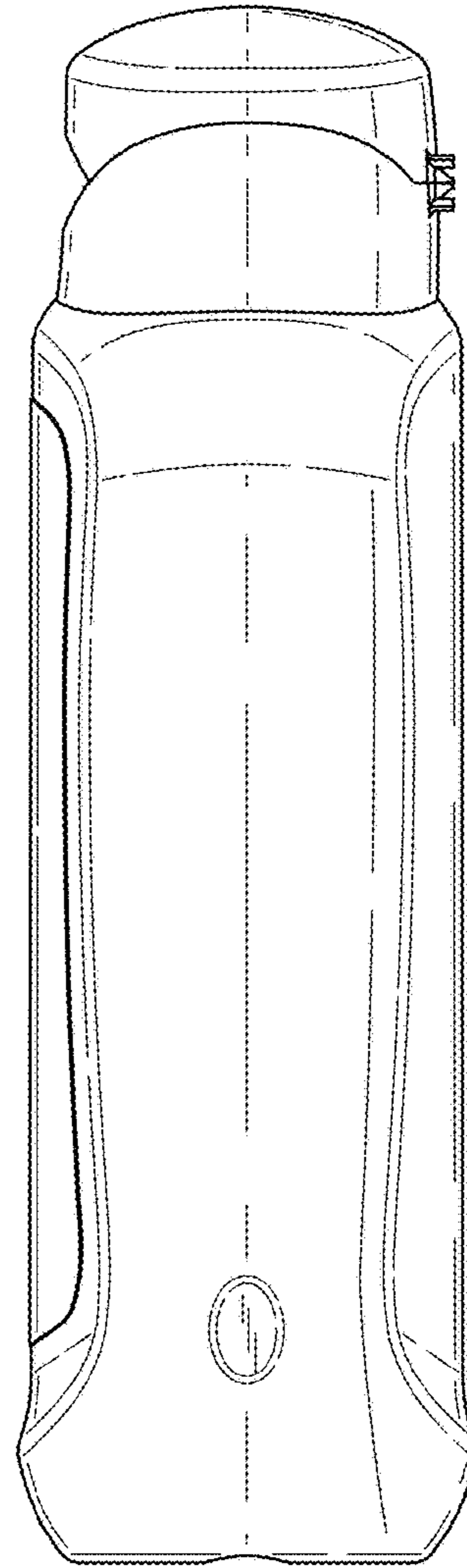


Fig. 5

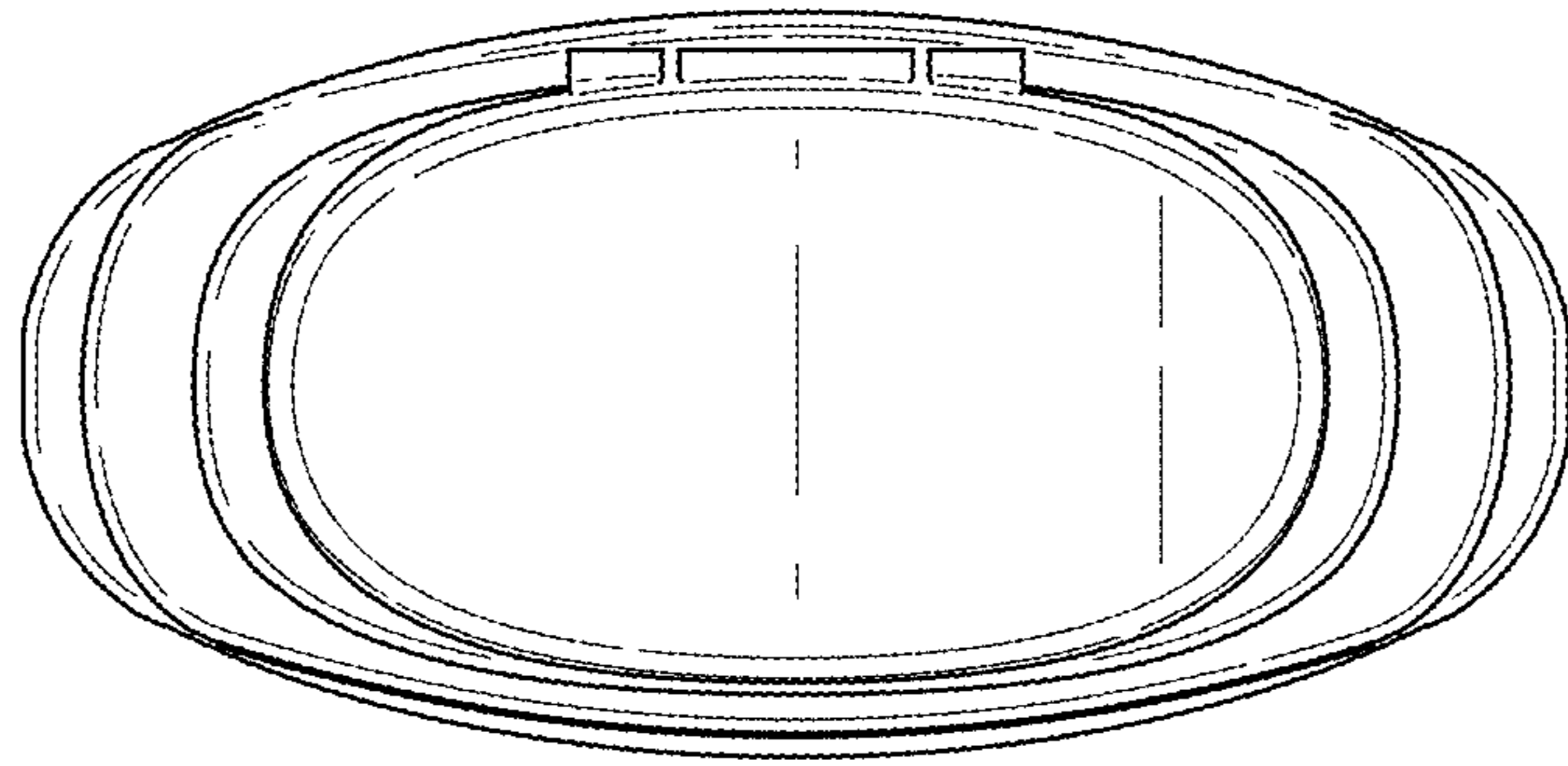


Fig. 6

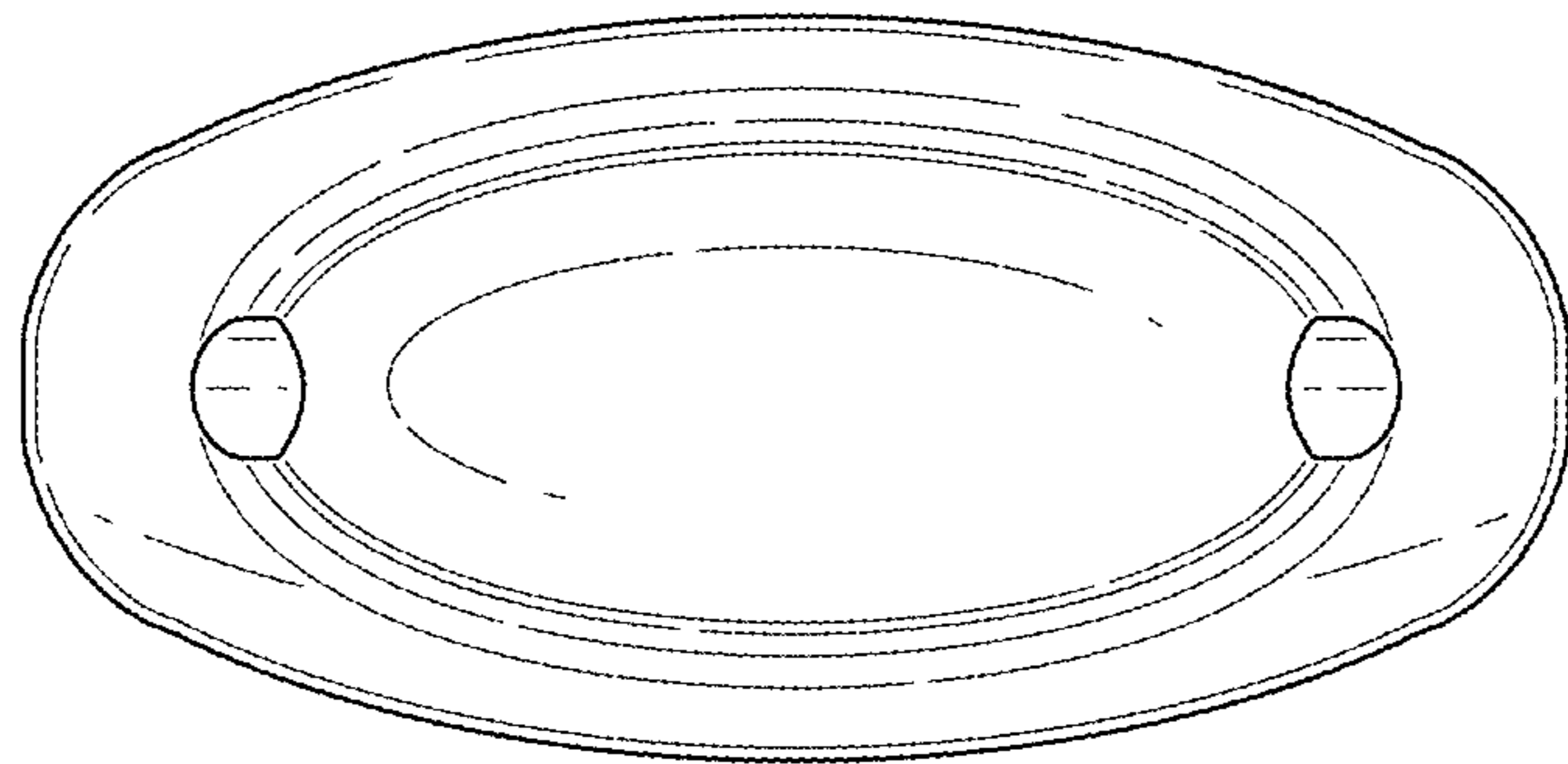


Fig. 7