



US00D828164S

(12) **United States Design Patent** (10) **Patent No.:** **US D828,164 S**  
**Kim** (45) **Date of Patent:** **\*\* Sep. 11, 2018**

(54) **COSMETIC CONTAINER**  
(71) Applicant: **YONWOO CO., LTD.**, Incheon (KR)  
(72) Inventor: **Sung-Hwan Kim**, Incheon (KR)  
(73) Assignee: **YONWOO CO., LTD.**, Incheon (KR)  
(\*\*) Term: **15 Years**  
(21) Appl. No.: **29/530,250**  
(22) Filed: **Jun. 15, 2015**  
(51) **LOC (11) Cl.** ..... **09-01**  
(52) **U.S. Cl.**  
USPC ..... **D9/503**  
(58) **Field of Classification Search**  
USPC ..... D9/436, 449, 554, 500, 502, 503, 504,  
D9/516, 549, 550, 558, 715, 719;  
D4/114, 116; D28/73, 76, 82, 88, 91.1  
CPC ..... B65D 1/0223; B65D 1/0276  
See application file for complete search history.

D627,604 S \* 11/2010 Eyal ..... D7/510  
D637,910 S \* 5/2011 Yeung ..... D9/504  
D653,546 S \* 2/2012 Ring ..... D9/516  
D682,709 S \* 5/2013 Wang ..... D9/689  
D695,117 S \* 12/2013 Kim ..... D9/435  
D696,948 S \* 1/2014 Kim ..... D9/454  
D703,053 S \* 4/2014 Park ..... D9/503  
D715,157 S \* 10/2014 In ..... D9/691  
D739,739 S \* 9/2015 DeMarco ..... D9/454  
D739,741 S \* 9/2015 Staab ..... D9/454  
9,167,881 B2 \* 10/2015 Mehta ..... A45D 34/045  
D756,226 S \* 5/2016 In ..... D9/504

\* cited by examiner

*Primary Examiner* — Ian Simmons  
*Assistant Examiner* — Keith Frank  
(74) *Attorney, Agent, or Firm* — Marshall, Gerstein & Borun LLP

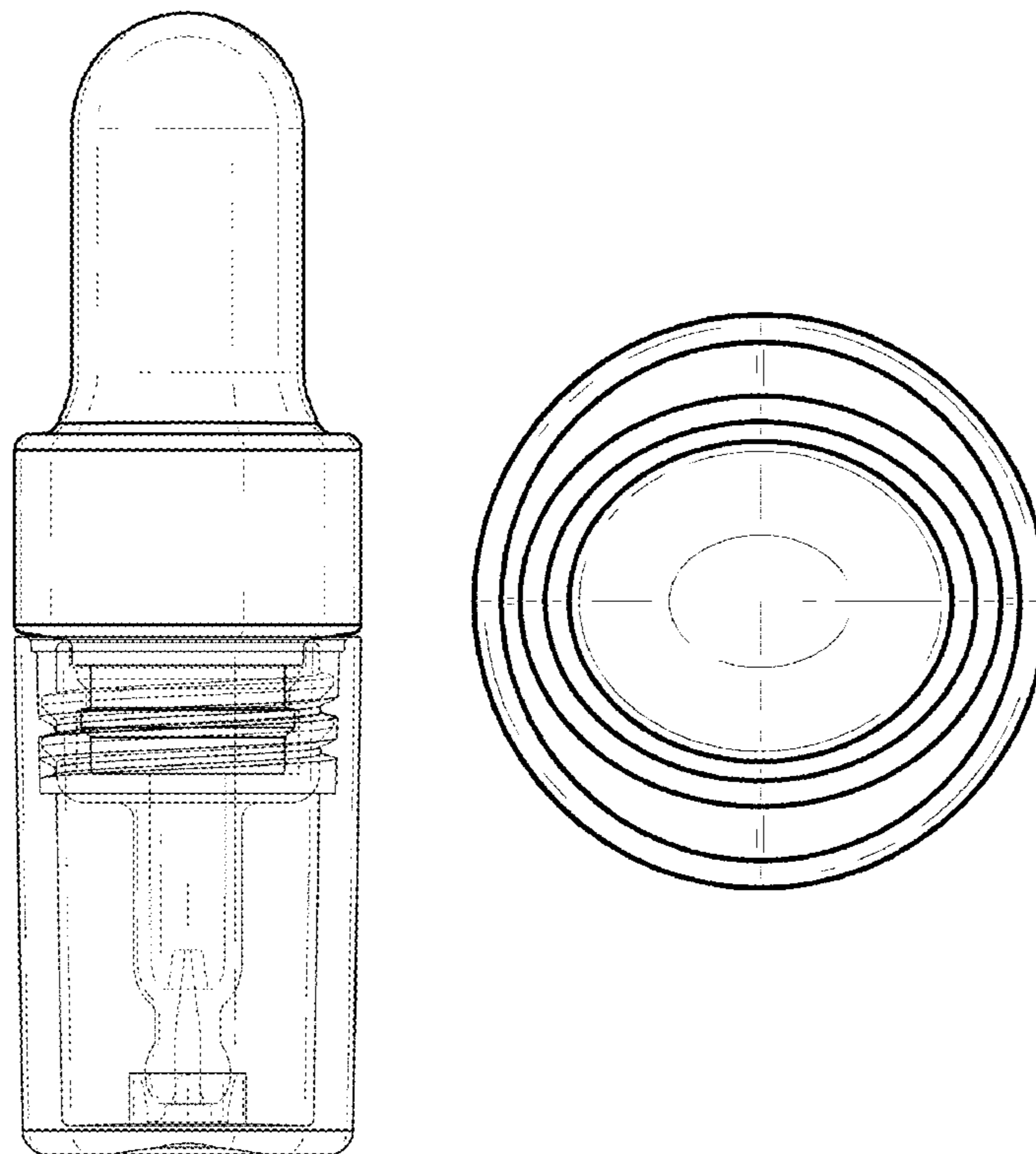
(57) **CLAIM**  
The ornamental design for a cosmetic container, as shown and described.

**DESCRIPTION**

FIG. 1 is a perspective view of a cosmetic container showing the new design;  
FIG. 2 is a front elevational view thereof;  
FIG. 3 is a rear elevational view thereof;  
FIG. 4 is a left elevational view thereof;  
FIG. 5 is a right elevational view thereof;  
FIG. 6 is an enlarged top plan view thereof; and,  
FIG. 7 is an enlarged bottom plan view thereof.

**1 Claim, 4 Drawing Sheets**

(56) **References Cited**  
U.S. PATENT DOCUMENTS  
D480,647 S \* 10/2003 Crawford ..... D9/502  
D513,385 S \* 1/2006 Garcia ..... D9/504  
D525,167 S \* 7/2006 Katznelson ..... D11/153  
D609,571 S \* 2/2010 Butler ..... D9/504  
D613,168 S \* 4/2010 Rowland ..... D9/504  
D613,604 S \* 4/2010 Rowland ..... D9/504  
D627,603 S \* 11/2010 Eyal ..... D7/510



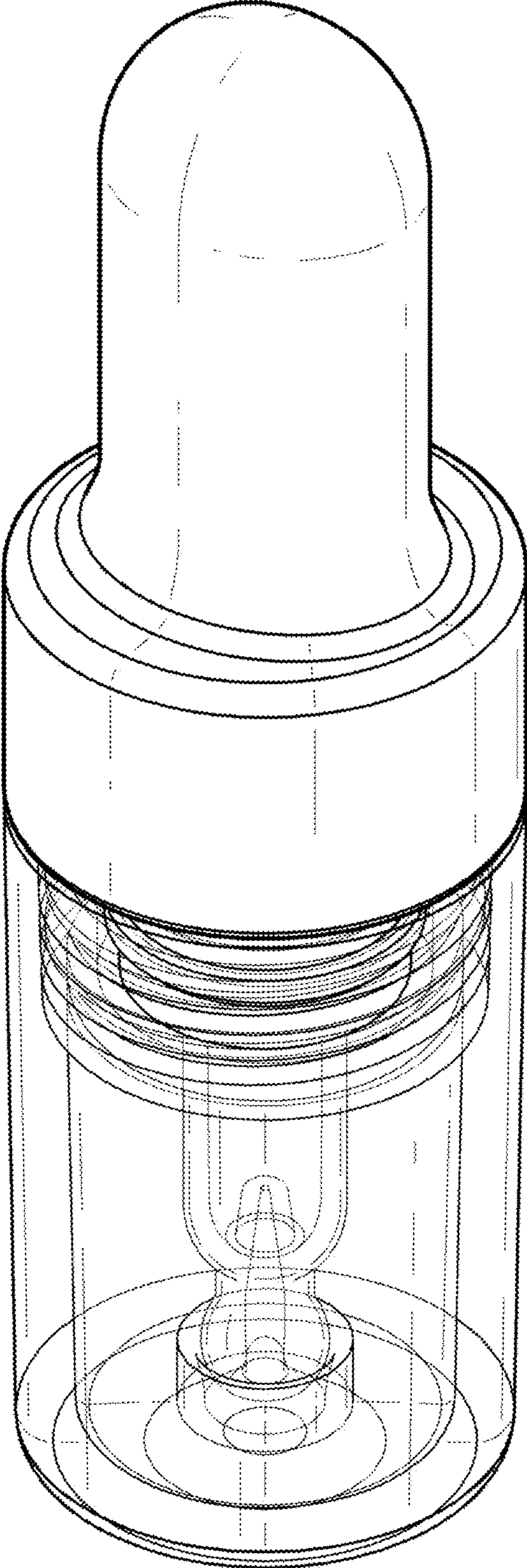


Fig. 1

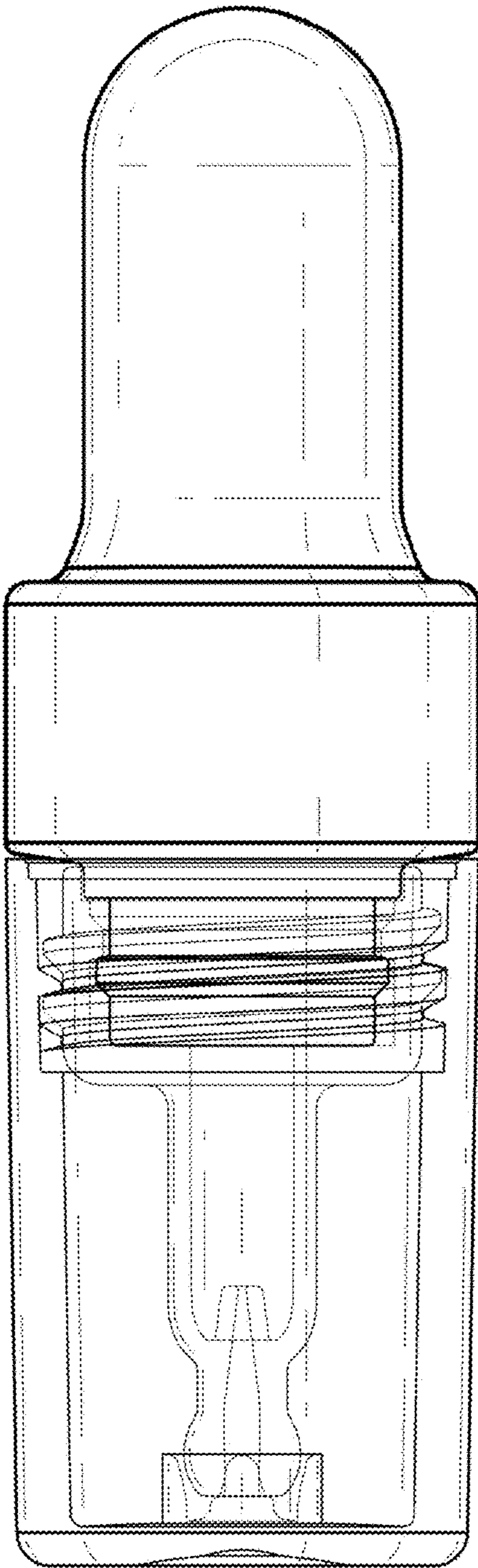


Fig. 2

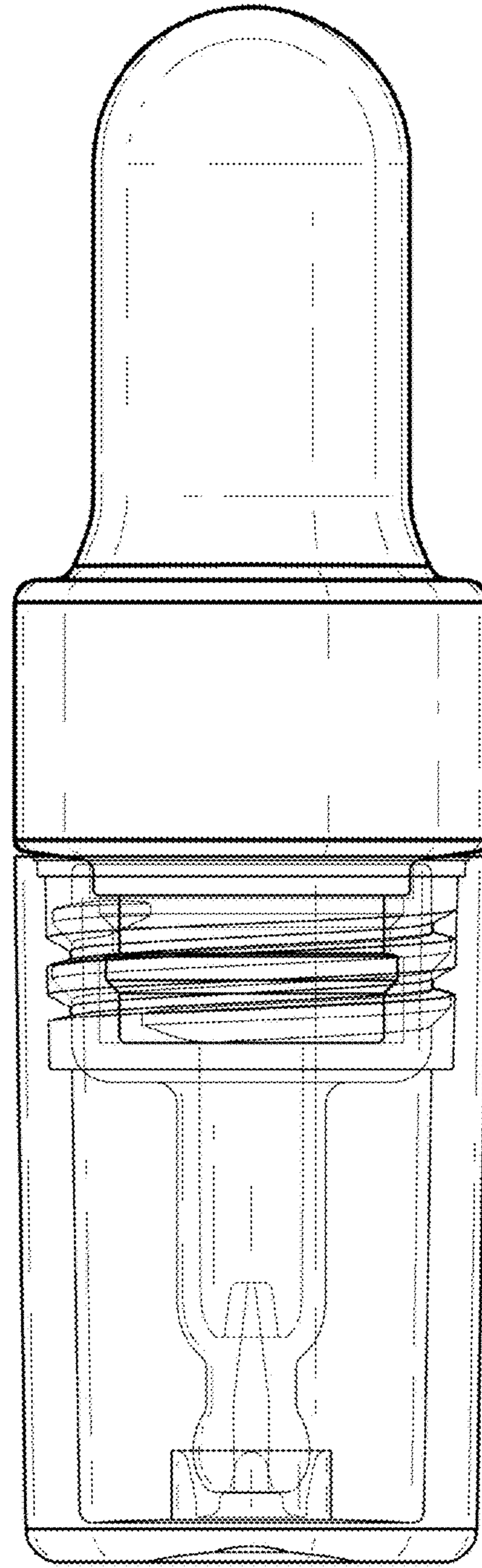


Fig. 3



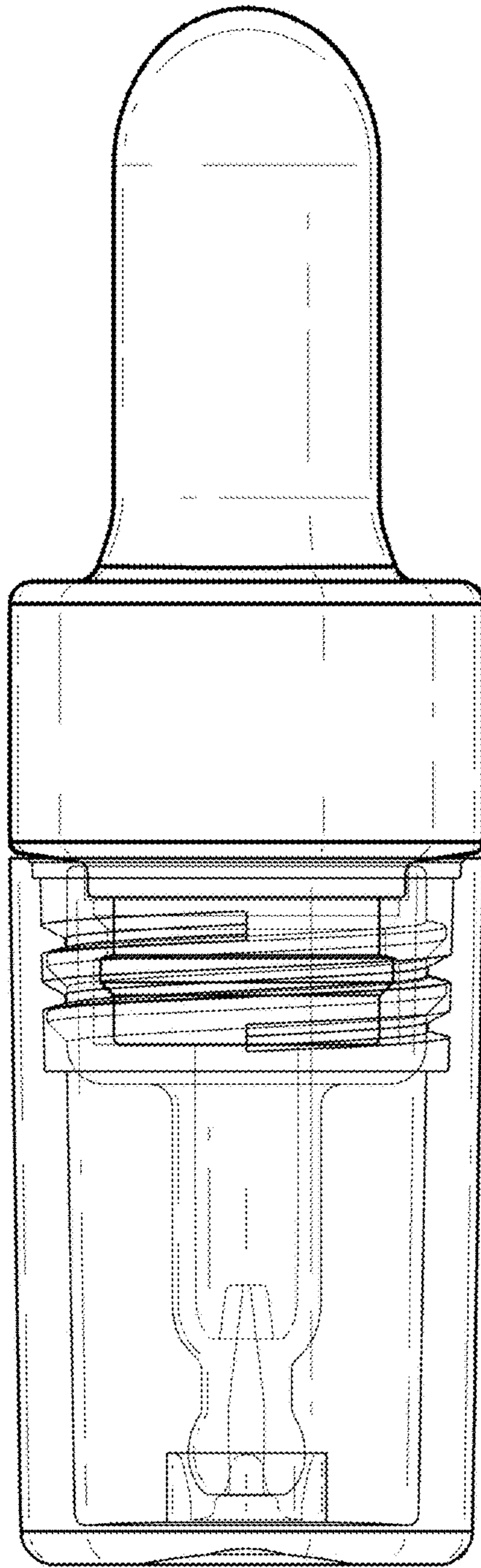


Fig. 4

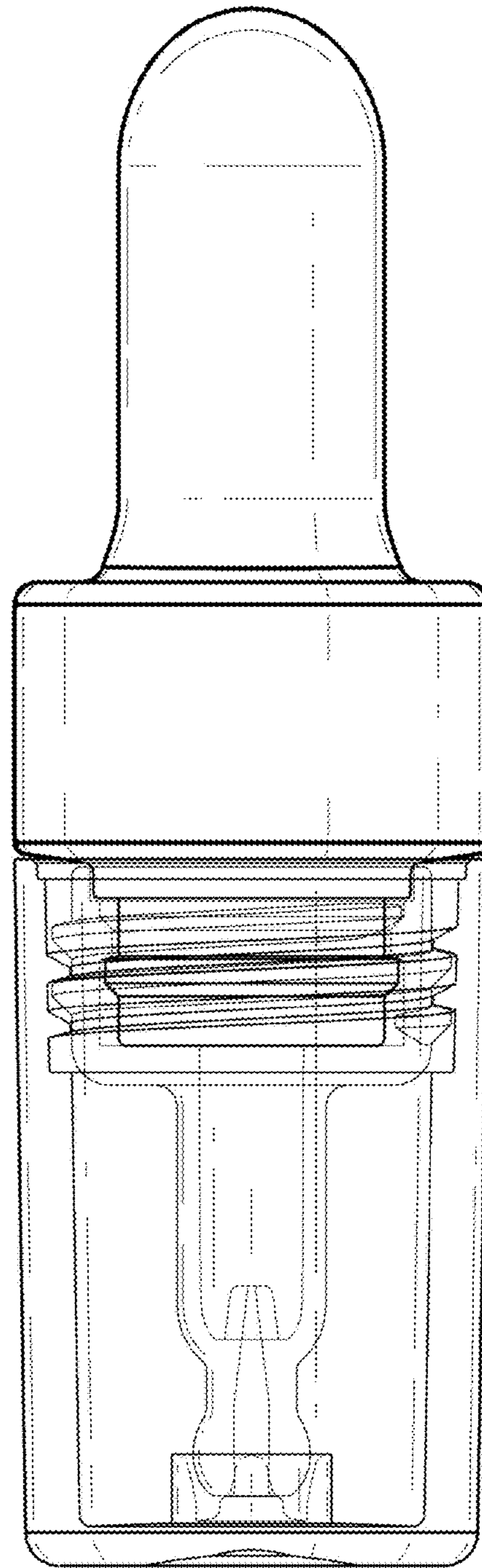


Fig. 5

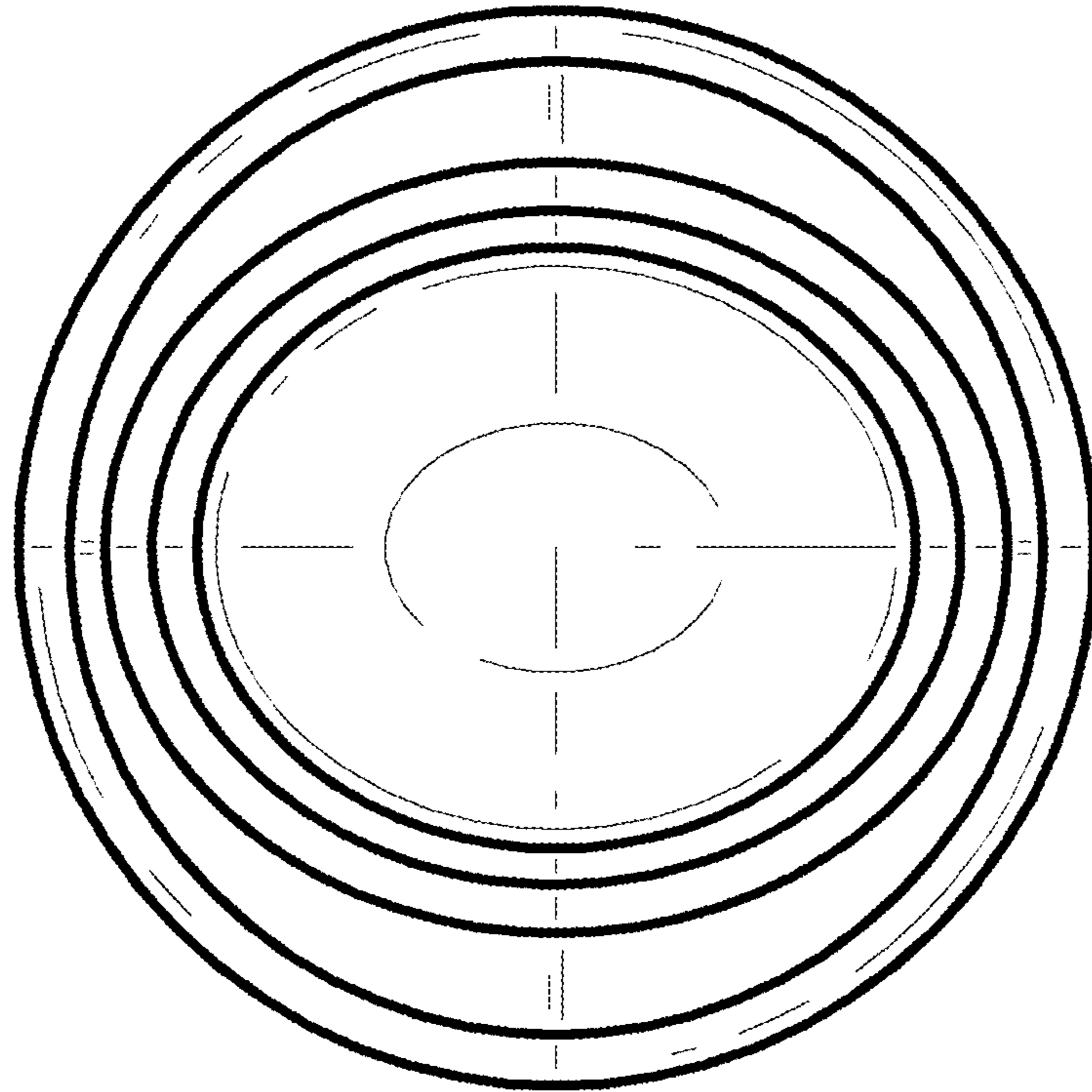


Fig. 6

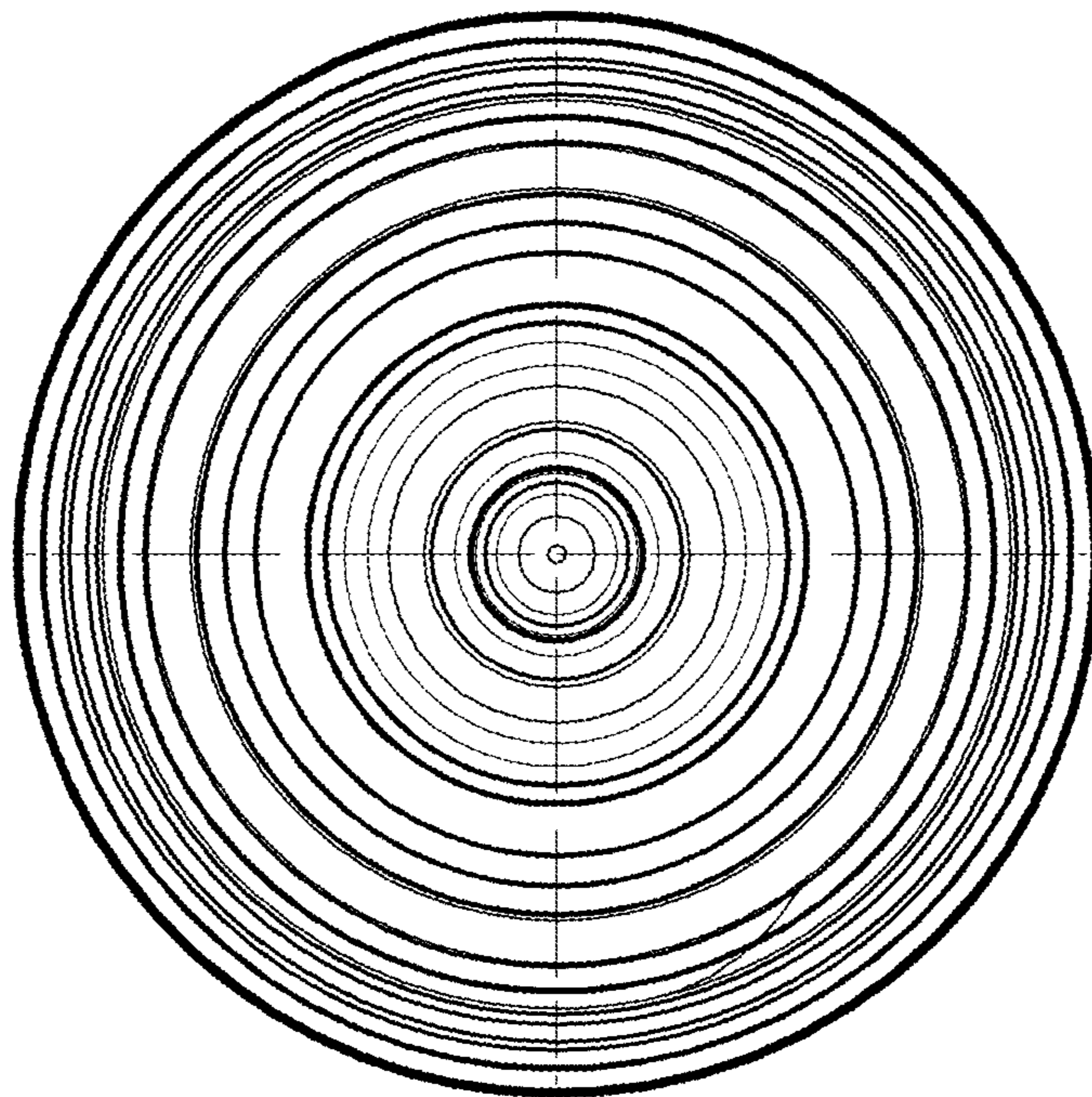


Fig. 7