



US00D828163S

(12) **United States Design Patent** (10) **Patent No.:** **US D828,163 S**
Renner et al. (45) **Date of Patent:** **** Sep. 11, 2018**

(54) **BOTTLE**

(71) Applicant: **S.C. Johnson & Son, Inc.**, Racine, WI (US)

(72) Inventors: **Thomas A. Renner**, Racine, WI (US);
William F. Gordon, Chicago, IL (US);
Kevin Harrity, Oak Creek, WI (US);
Robert Siegl, Dornbirn (AT)

(73) Assignee: **S.C. Johnson & Son, Inc.**, Racine, WI (US)

(**) Term: **15 Years**

(21) Appl. No.: **29/566,836**

(22) Filed: **Jun. 3, 2016**

Related U.S. Application Data

(62) Division of application No. 29/511,345, filed on Dec. 10, 2014, now Pat. No. Des. 761,656, which is a division of application No. 29/444,124, filed on Jan. 25, 2013, now Pat. No. Des. 760,590.

(51) **LOC (11) Cl.** **09-01**

(52) **U.S. Cl.**
USPC **D9/500**

(58) **Field of Classification Search**

USPC D9/500-505, 516, 520-521, 549, 558,
D9/682, 685-686, 688-691, 763-764,
D9/772, 776-777, 715, 719; D24/224,
D24/197; 215/379, 381-382; 220/62.12,
220/610, 660, 669, 675; D26/2
CPC B65D 1/00; B65D 1/02; B65D 1/0223;
B65D 23/00; B65D 83/00; B65D 91/00;
B65D 91/02; B65D 2501/00; B65D
2501/0009; B65D 2501/0081

See application file for complete search history.

(56) **References Cited**

U.S. PATENT DOCUMENTS

1,173,176 A * 2/1916 Coombs A61J 9/04
215/11.5
1,173,177 A * 2/1916 Coombs A61J 9/04
215/11.5
D93,932 S 11/1934 Levine
2,670,868 A * 3/1954 Stover B65D 43/0222
215/46
3,468,443 A 9/1969 Marcus
D217,847 S 6/1970 Jenkins et al.
3,598,270 A 8/1971 Adomaitis

(Continued)

FOREIGN PATENT DOCUMENTS

DE 402009006333 3/2010
DE 49906088-0001 10/2014

(Continued)

OTHER PUBLICATIONS

English translation of Russian Office Action dated Mar. 23, 2015, issued in Russian Patent Application No. 2014500576/49.

Primary Examiner — Dana L Meyrow

(57)

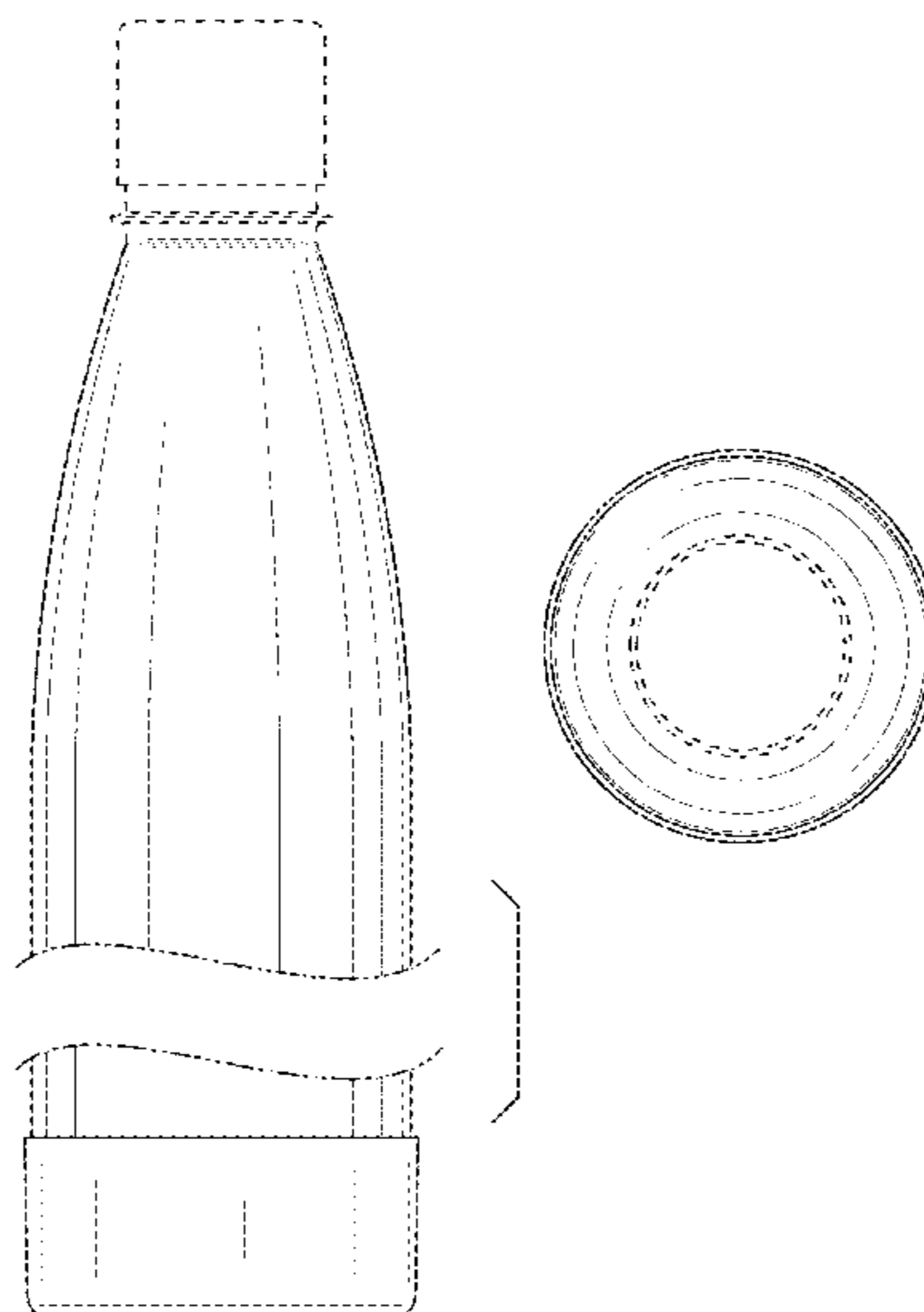
CLAIM

The ornamental design for a bottle, as shown and described.

DESCRIPTION

FIG. 1 is a perspective view of the bottle.
FIG. 2 is a side view of the bottle shown in FIG. 1.
FIG. 3 is a top view of the bottle shown in FIG. 1; and,
FIG. 4 is a bottom view of the bottle shown in FIG. 1.
The evenly-dashed broken lines shown in the drawings illustrate the portions of the design that form no part of the claim. The dot-dot-dash broken lines in the drawings define the bounds of the claim and form no part thereof. Separated portions of the bottle that are connected by a bracket indicate that any portion of the article between the break lines forms no part of the claimed design.

1 Claim, 3 Drawing Sheets



(56)

References Cited

U.S. PATENT DOCUMENTS

3,643,829 A 2/1972 Lachner
D223,143 S 3/1972 Becker
D228,625 S 10/1973 Pearce
D231,084 S * 4/1974 Motsch D9/503
3,811,588 A 5/1974 Vermeerbergen et al.
D232,915 S 9/1974 Becker
3,881,621 A 5/1975 Adomaitis
D243,583 S * 3/1977 Reynolds D9/500
D243,584 S * 3/1977 Reynolds D9/500
4,108,324 A 8/1978 Krishnakumar et al.
4,318,882 A 3/1982 Agrawal et al.
D282,629 S * 2/1986 Stafford D9/500
5,160,059 A 11/1992 Collette et al.
5,205,434 A 4/1993 Brunson et al.
5,427,258 A 6/1995 Krishnakumar et al.
5,626,262 A 5/1997 Fitten et al.
D383,382 S * 9/1997 Meshberg D9/690
D384,893 S 10/1997 Marriage
5,740,934 A 4/1998 Brady
5,772,056 A 6/1998 Slat
5,785,197 A 7/1998 Slat
D403,969 S 1/1999 Rosler
5,998,416 A 12/1999 Bourrain et al.
D418,414 S 1/2000 Cheng et al.
6,095,378 A 8/2000 Potts et al.
D437,215 S * 2/2001 Kato D9/605
6,213,325 B1 4/2001 Cheng et al.
6,276,546 B1 8/2001 Davis et al.
6,296,471 B1 10/2001 Cheng et al.
D451,379 S * 12/2001 Tang D9/667
6,409,035 B1 6/2002 Darr et al.
D464,169 S * 10/2002 McAuley D27/162
D469,664 S * 2/2003 Marks D7/608
6,585,123 B1 7/2003 Pedmo et al.
D478,287 S * 8/2003 Corker D9/500
7,051,889 B2 5/2006 Boukobza
7,066,345 B2 6/2006 Itokawa et al.
7,083,059 B1 8/2006 Le Guen
7,198,163 B2 4/2007 Young et al.
7,416,089 B2 8/2008 Kraft et al.
7,520,400 B2 4/2009 Young et al.
D614,503 S 4/2010 Kuzma et al.
D615,865 S 5/2010 Arnell et al.
D616,754 S 6/2010 Arnell et al.
7,732,035 B2 6/2010 Pedmo et al.
7,789,255 B2 9/2010 Zoppas
D628,072 S * 11/2010 Rossi D9/503
D632,574 S * 2/2011 Huntington D9/443
7,891,513 B2 2/2011 Mody et al.
D634,205 S 3/2011 Arnell et al.

8,025,189 B2 9/2011 Salameh
D651,086 S 12/2011 Gullickson et al.
D651,901 S 1/2012 Miller et al.
D653,118 S 1/2012 Asano et al.
8,096,434 B2 1/2012 Bunel et al.
8,097,662 B2 1/2012 Schmidt et al.
8,109,397 B2 2/2012 Deyerl et al.
D655,619 S 3/2012 Soliman
8,309,622 B2 * 11/2012 Schmidt A23L 3/3436
523/100
D696,118 S * 12/2013 Lindstrom D7/509
8,950,611 B2 2/2015 Derrien et al.
8,960,503 B2 2/2015 Soliman
D726,538 S 4/2015 Behar et al.
D749,419 S * 2/2016 Grossman D9/500
D753,442 S * 4/2016 Weernink D7/507
D760,590 S * 7/2016 Renner D9/500
D761,656 S * 7/2016 Renner D9/500
D803,059 S * 11/2017 Matthieu D9/500
2003/0006208 A1 1/2003 Cheng et al.
2003/0102278 A1 * 6/2003 Chupak B65D 1/0207
215/40
2007/0087214 A1 4/2007 Portnoy et al.
2009/0087507 A1 4/2009 Penet et al.
2009/0194546 A1 8/2009 Lane
2010/0219152 A1 9/2010 Derrien et al.
2011/0009244 A1 1/2011 Killgore et al.
2011/0017701 A1 1/2011 Soliman
2011/0174765 A1 * 7/2011 Patel B65D 1/0223
215/382
2011/0174827 A1 7/2011 Patel et al.
2012/0168533 A1 7/2012 Melms, Jr. et al.
2015/0034584 A1 2/2015 Renner et al.

FOREIGN PATENT DOCUMENTS

DE M9407189-0001 10/2014
EM 000226063-0002 12/2004
EM 000621693-0001 12/2006
EM 000621693-0002 12/2006
EM 000893060-0001 4/2008
EM 001154470-0001 8/2009
EM 001154470-0002 8/2009
EM 001855396-0001 9/2011
GB 2037656 3/1994
TR 2011/06182 10/2011
WO 2007/060529 A2 5/2007
WO DM075183 7/2011
WO 2012/038075 A1 3/2012
WO 2012/143718 A1 10/2012
WO DM081741 9/2013

* cited by examiner

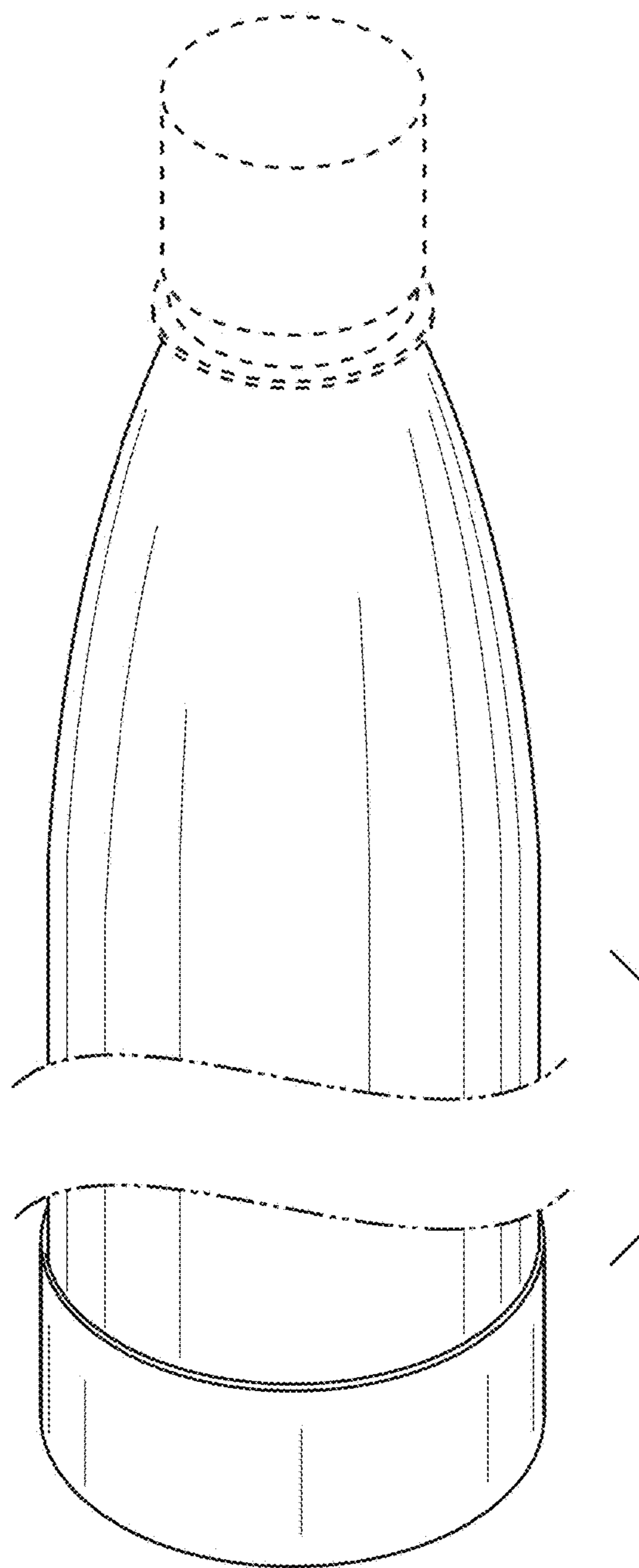


FIG. 1

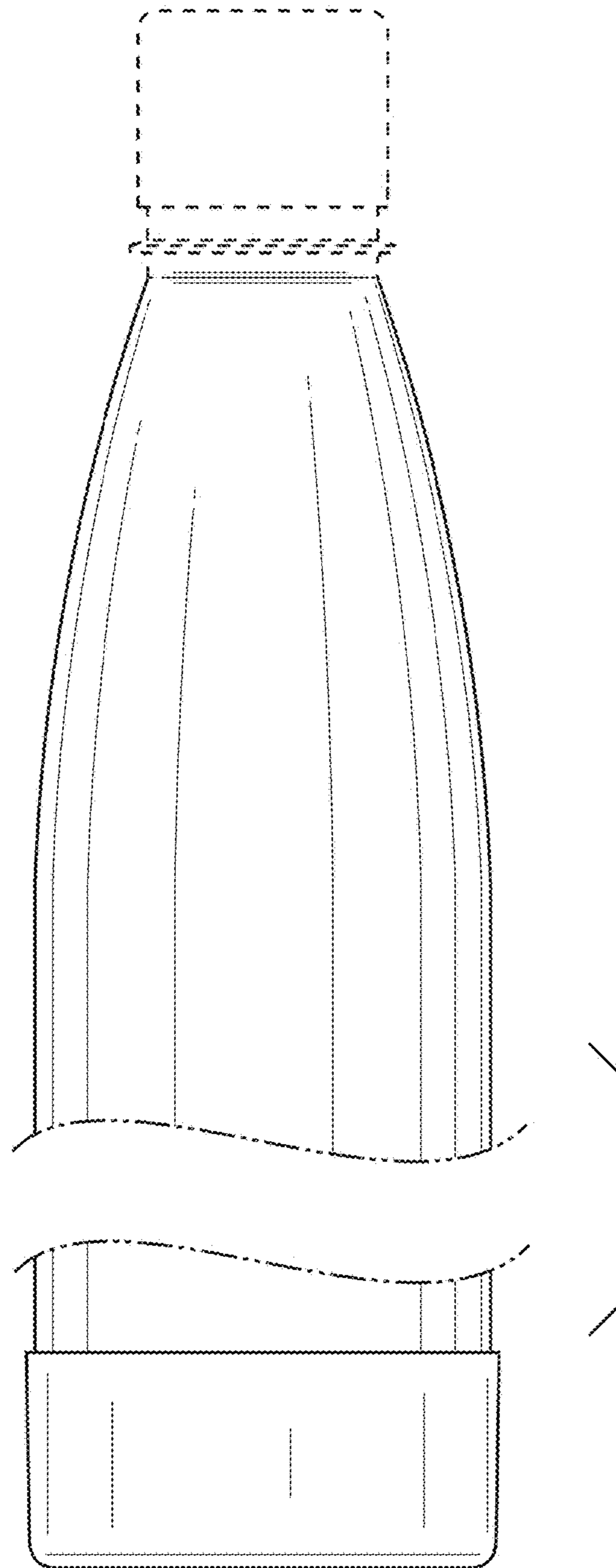


FIG. 2

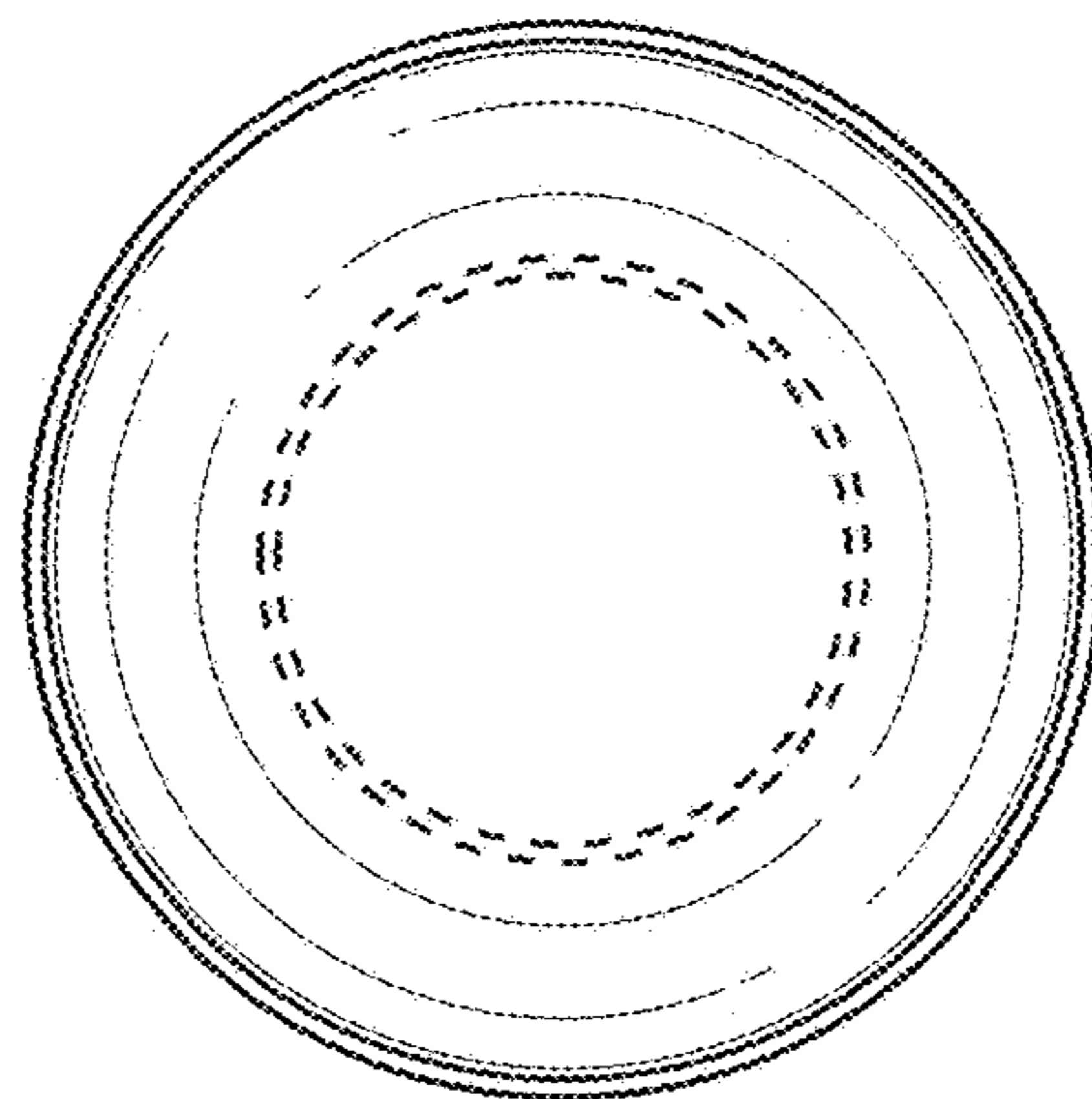


FIG. 3

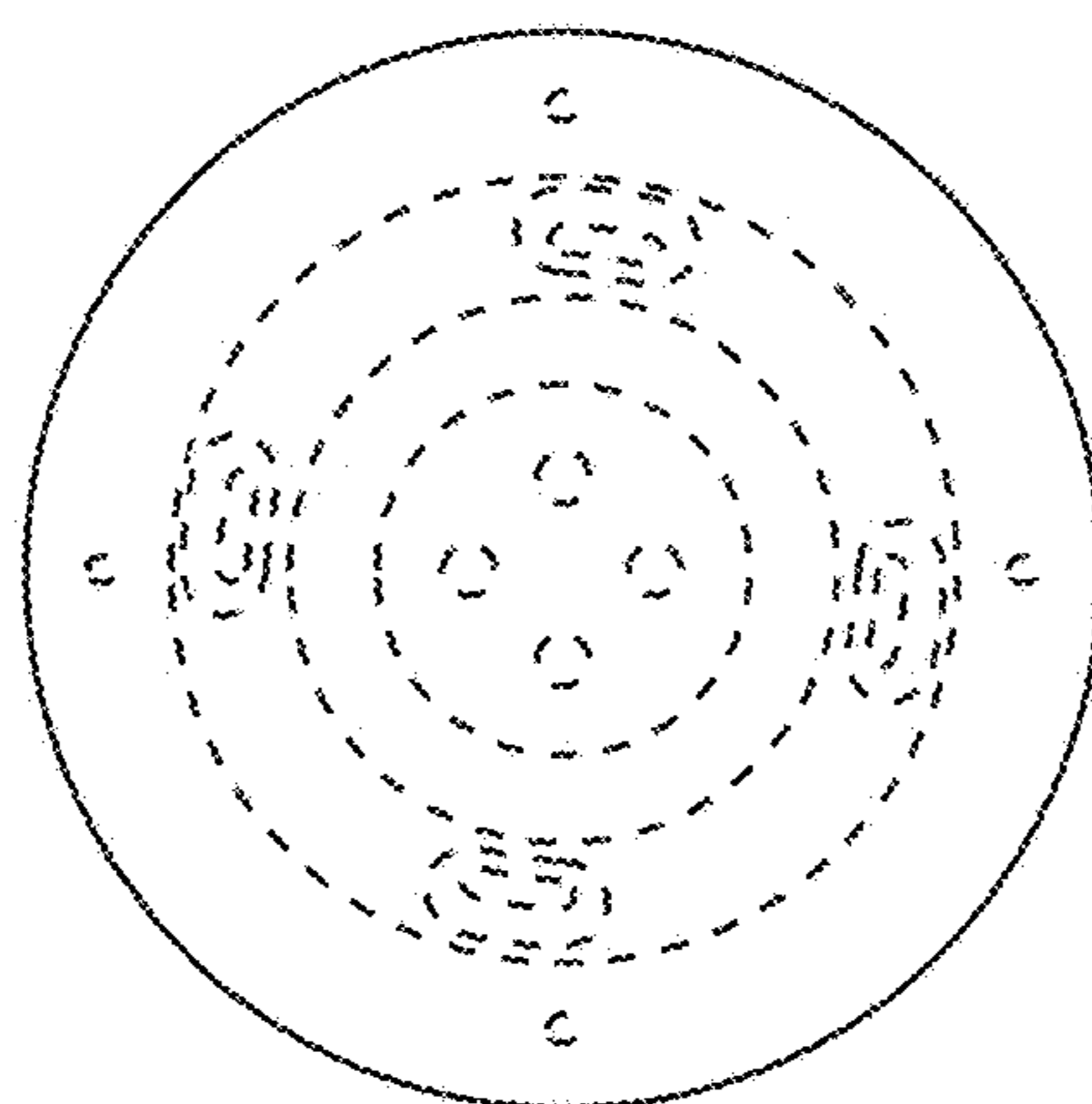


FIG. 4