



US00D828162S

(12) **United States Design Patent**  
**Windelinckx**

(10) **Patent No.:** **US D828,162 S**

(45) **Date of Patent:** **\*\* Sep. 11, 2018**

(54) **BOTTLE**

(71) Applicant: **Plastipak BAWT S.a.r.l.**, Bascharage (LU)

(72) Inventor: **Steve Windelinckx**, Zoersel (BE)

(73) Assignee: **Plastipak BAWT S.a.r.l.**, Bascharage (LU)

(\*\*) Term: **15 Years**

(21) Appl. No.: **29/532,461**

(22) Filed: **Jul. 7, 2015**

(30) **Foreign Application Priority Data**

Jan. 26, 2015 (EP) ..... 002620153

(51) **LOC (11) Cl.** ..... **09-01**

(52) **U.S. Cl.**  
USPC ..... **D9/500**

(58) **Field of Classification Search**  
USPC ..... D9/500, 503, 516, 549-558, 715, 719;  
D24/224

CPC ..... B65D 1/00; B65D 1/02; B65D 1/0223;  
B65D 23/00; B65D 81/00; B65D  
2501/00; B65D 2501/0009

See application file for complete search history.

(56) **References Cited**

**U.S. PATENT DOCUMENTS**

5,315,811 A \* 5/1994 Biesecker ..... B65D 77/0493  
53/410  
D353,543 S \* 12/1994 Matsumoto ..... D9/552

D430,291 S \* 8/2000 Jansen ..... D24/121  
D431,648 S \* 10/2000 Jansen ..... D24/121  
D456,715 S \* 5/2002 Reidenbach ..... D9/523  
D560,118 S \* 1/2008 Higgins ..... D9/434  
D576,047 S \* 9/2008 Reihle ..... D9/500  
D669,355 S \* 10/2012 Gonzalez Rodriguez ..... D9/500  
D691,885 S \* 10/2013 Potts ..... D9/500  
D755,639 S \* 5/2016 Kim ..... D9/500

\* cited by examiner

*Primary Examiner* — Dana L Meyrow

(74) *Attorney, Agent, or Firm* — Avery N. Goldstein;  
Blue Filament Law PLLC

(57) **CLAIM**

The ornamental design for a bottle, as shown and described.

**DESCRIPTION**

FIG. 1 is a front view of a bottle with the back view being a mirror image of FIG. 1, except for the continuous helical threads around a mouth of the bottle;

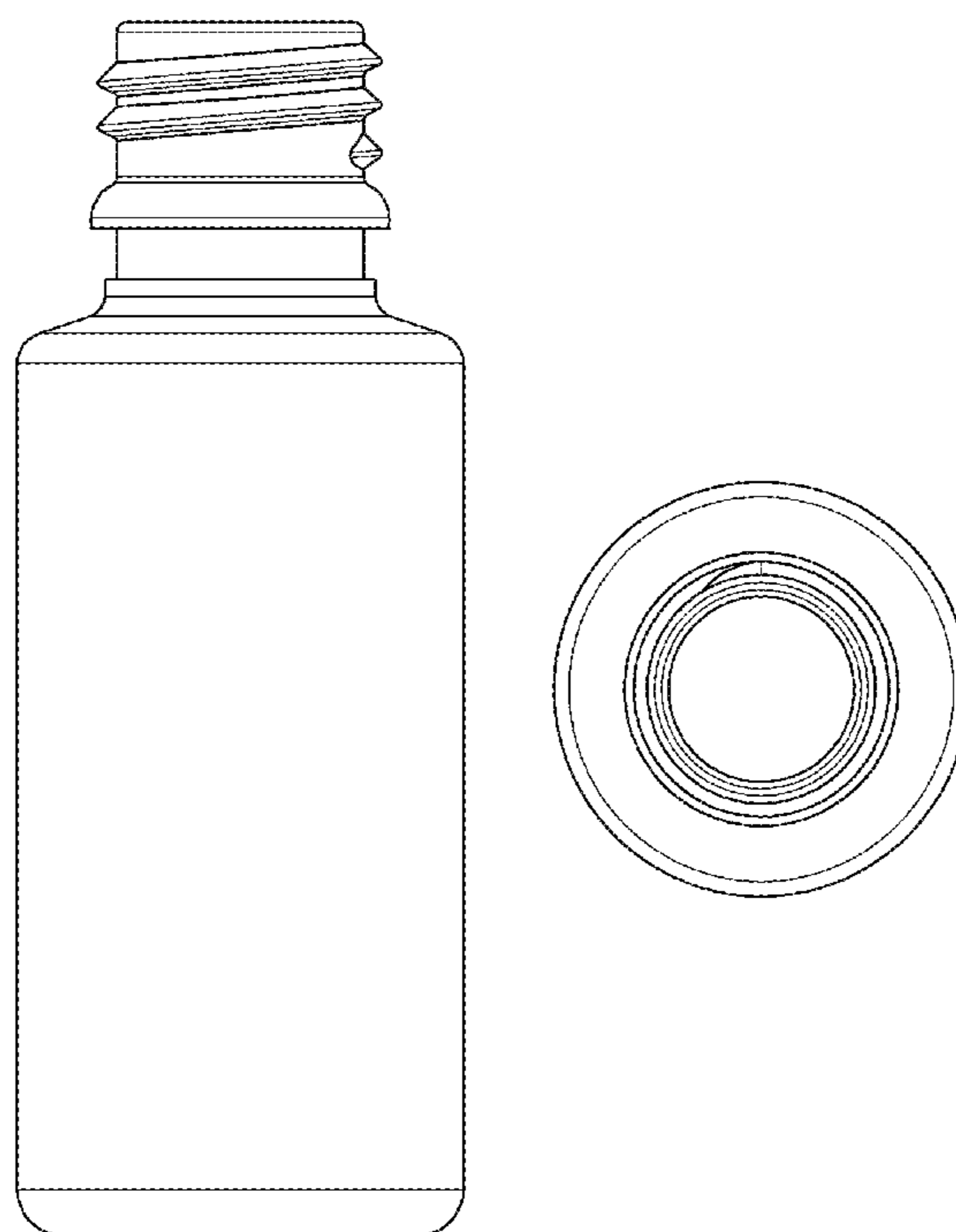
FIG. 2 is a right view of a bottle with the left view being a mirror image of FIG. 2 except for the continuous helical threads around the mouth of the bottle;

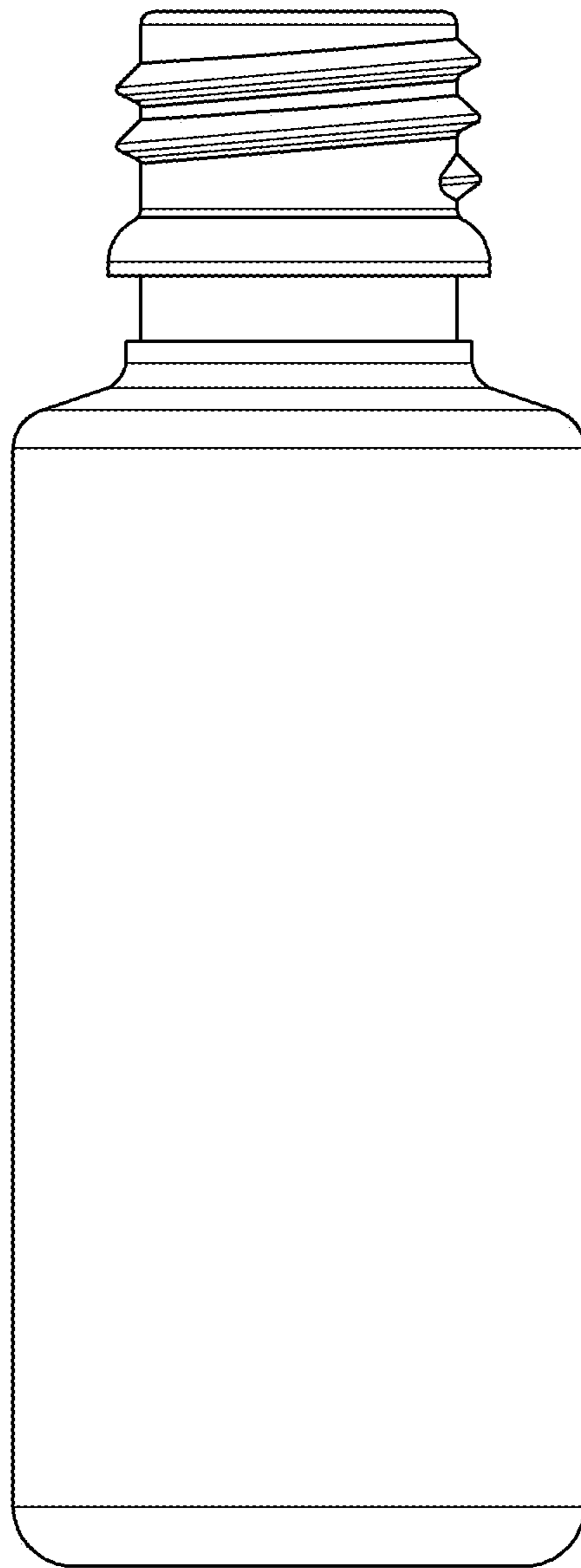
FIG. 3 is a top view of the bottle of FIG. 1; and,

FIG. 4 is a bottom view of the bottle of FIG. 1.

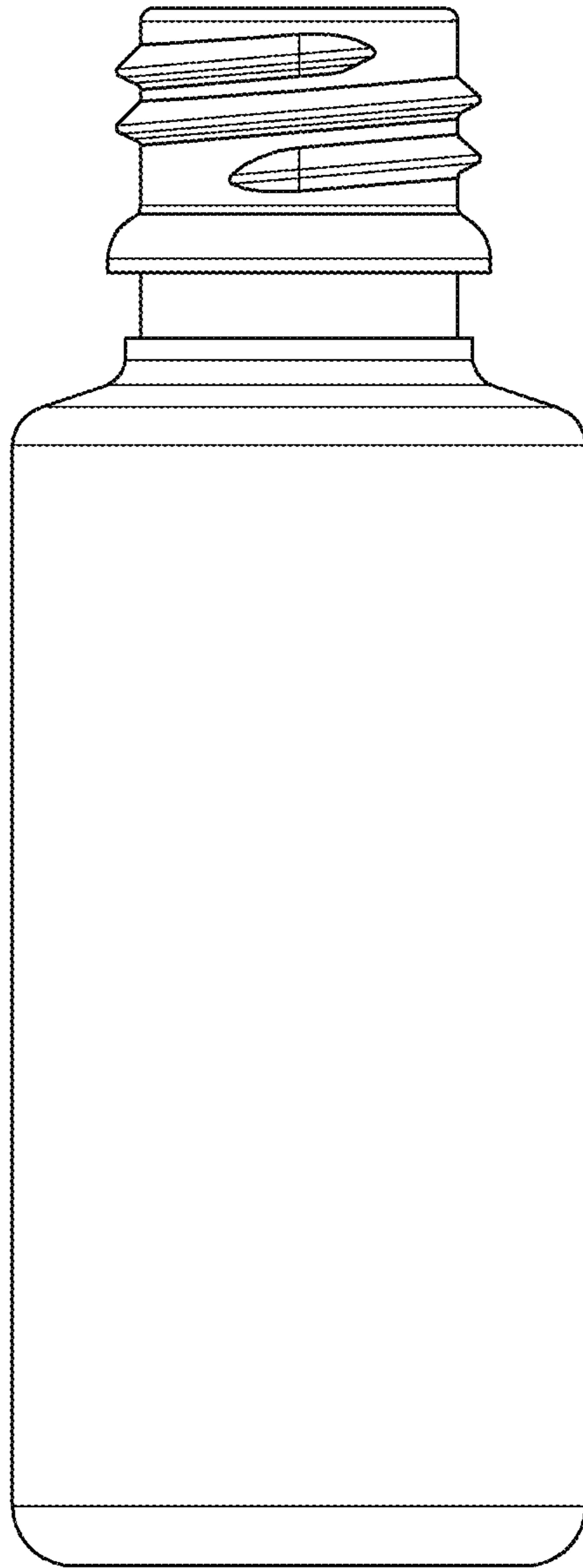
The broken lines in the drawings illustrate the portions of the bottle that form no part of the claim.

**1 Claim, 3 Drawing Sheets**

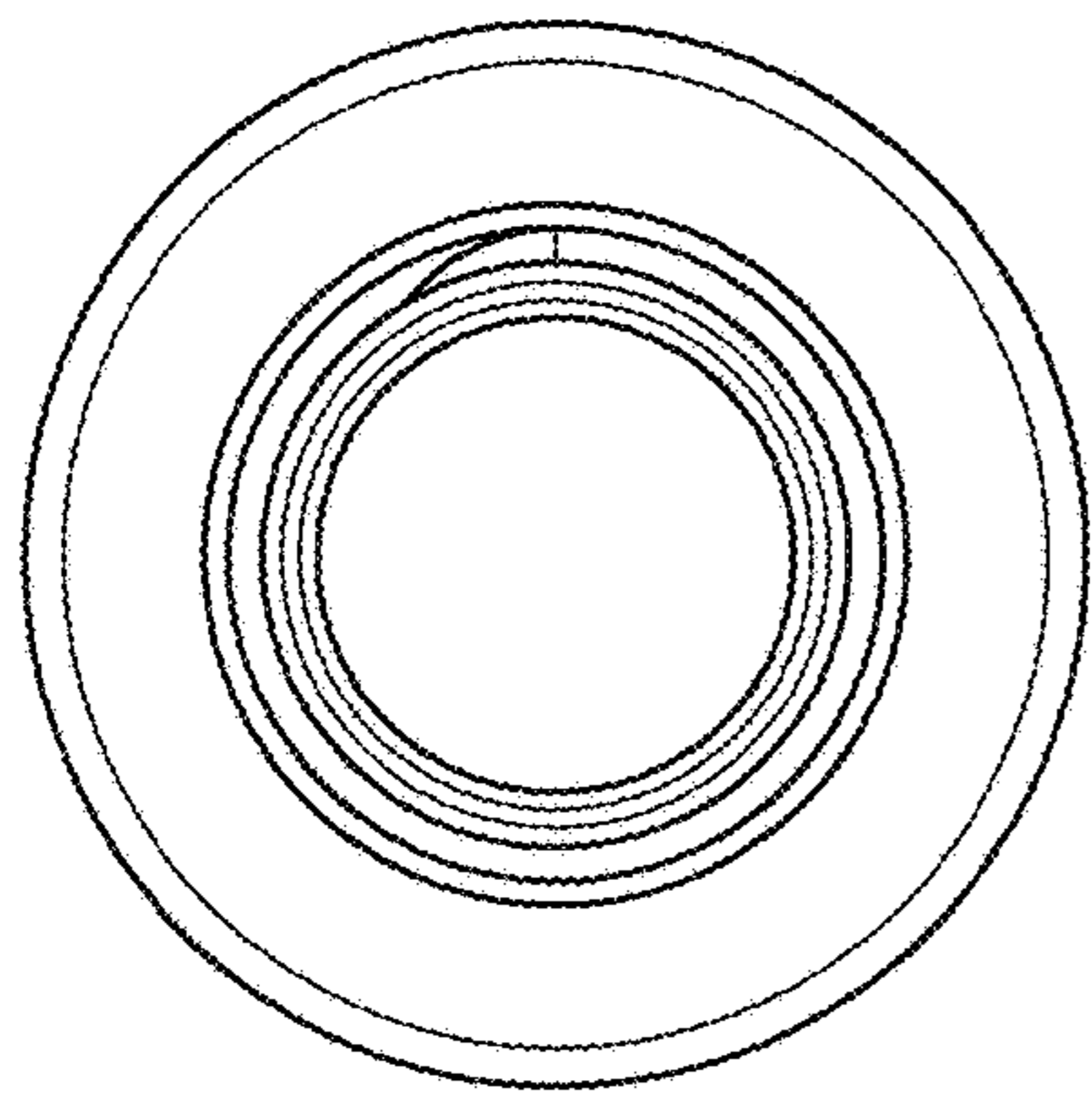




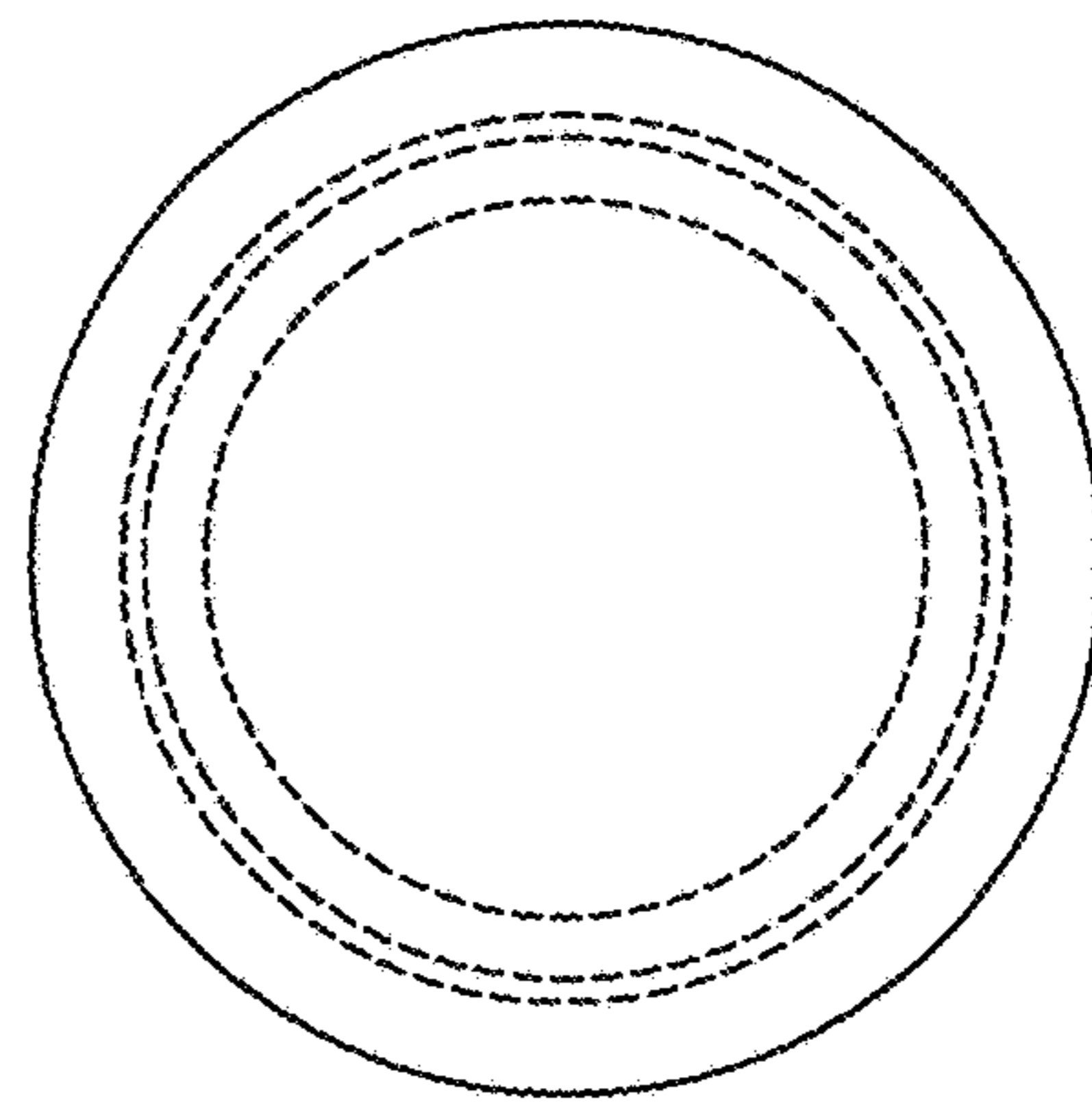
**FIG. 1**



**FIG. 2**



**FIG. 3**



**FIG. 4**