



US00D828159S

(12) **United States Design Patent**
Bouie

(10) **Patent No.:** **US D828,159 S**

(45) **Date of Patent:** **** Sep. 11, 2018**

(54) **SPLASH RESISTANT BEVERAGE LID**

(71) Applicant: **Tony Vanderson Bouie**, Anthem, AZ (US)

(72) Inventor: **Tony Vanderson Bouie**, Anthem, AZ (US)

(73) Assignee: **Tony V. Bouie**, Anthem, AZ (US)

(**) Term: **15 Years**

(21) Appl. No.: **29/620,322**

(22) Filed: **Oct. 14, 2016**

(51) **LOC (11) Cl.** **09-07**

(52) **U.S. Cl.**
USPC **D9/447; D9/446; D9/449; D7/392.1; D7/900**

(58) **Field of Classification Search**

USPC D9/414, 415, 424, 425, 434, 435, 436, D9/443, 444-452, 454-456, 499, 529, D9/682, 685, 686; D7/387, 391, 392, D7/392.1, 396.1, 396.2, 396.3, 396.4, D7/397, 398, 401.1, 507, 509-511, 538, D7/900; D3/202, 203.2; D28/91, 91.1
CPC .. A61J 1/00; A61J 1/1412; B65D 1/00; B65D 1/02; B65D 1/10; B65D 1/46; B65D 2585/56; B65D 2585/545; B65D 41/00; B65D 41/38; B65D 41/56; B65D 41/62; B65D 47/00; B65D 47/06; B65D 47/08; B65D 2543/00046; B65D 2543/00092; B65D 2543/00296; B65D 5/46; B65D 2251/00

See application file for complete search history.

(56) **References Cited**

U.S. PATENT DOCUMENTS

4,202,459 A * 5/1980 DeParales B65D 43/0218
220/254.3
4,361,249 A * 11/1982 Tuneski B65D 47/2018
215/317

D267,633 S * 1/1983 Christian D9/438
4,738,373 A * 4/1988 DeParales B65D 43/0256
220/254.3
4,899,902 A * 2/1990 DeMars B65D 43/0212
220/254.3
5,495,941 A * 3/1996 Leonard A61B 50/36
206/366
D480,968 S * 10/2003 Atkins D9/435
7,131,551 B2 * 11/2006 Smith B65D 43/0212
220/254.1
7,175,042 B2 * 2/2007 Durdon B65D 47/0842
220/254.3
D572,587 S * 7/2008 Rush D9/447
D635,855 S * 4/2011 Smith D9/447
(Continued)

Primary Examiner — Michael A. Pratt
Assistant Examiner — Wendy L Arminio

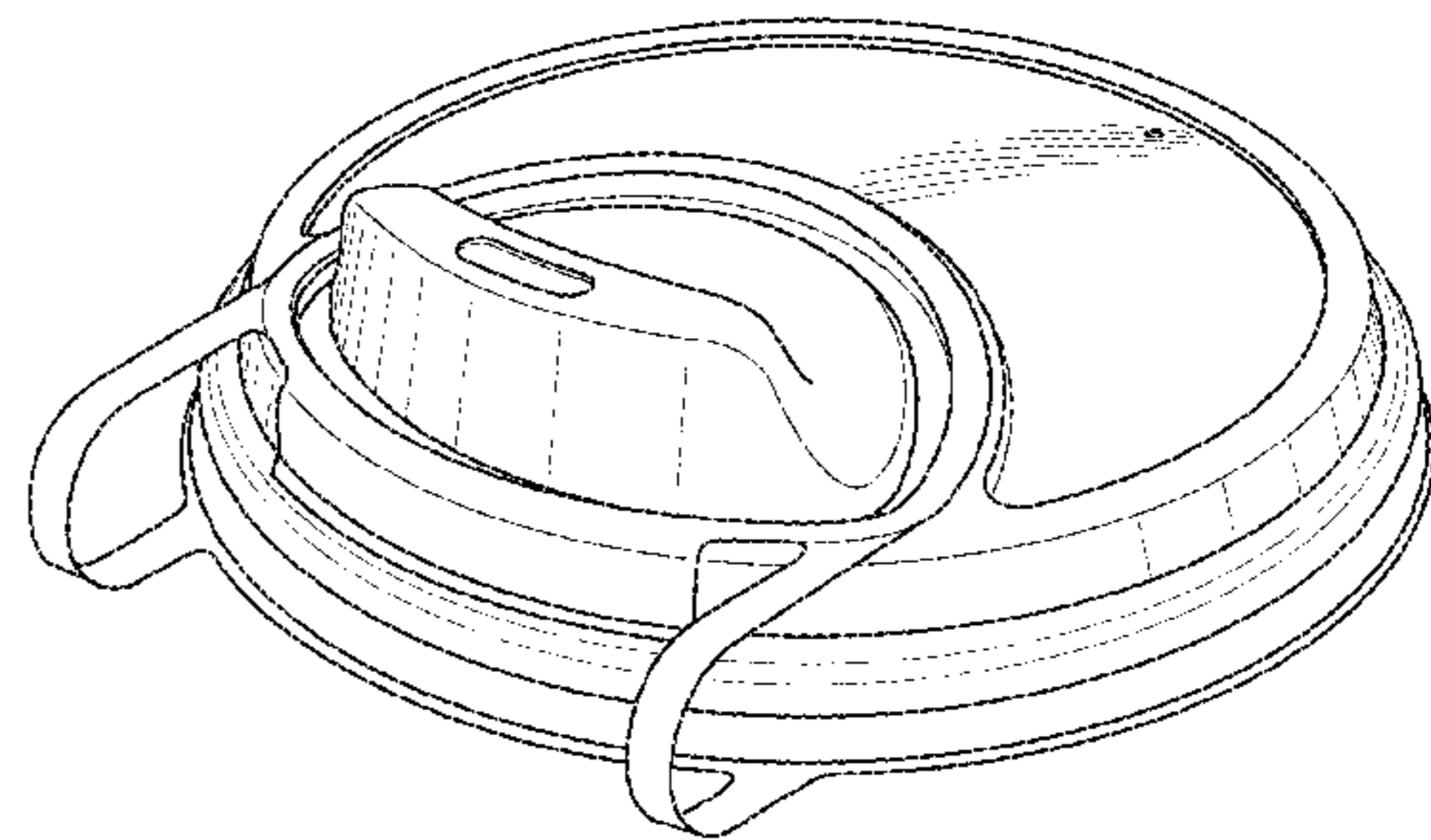
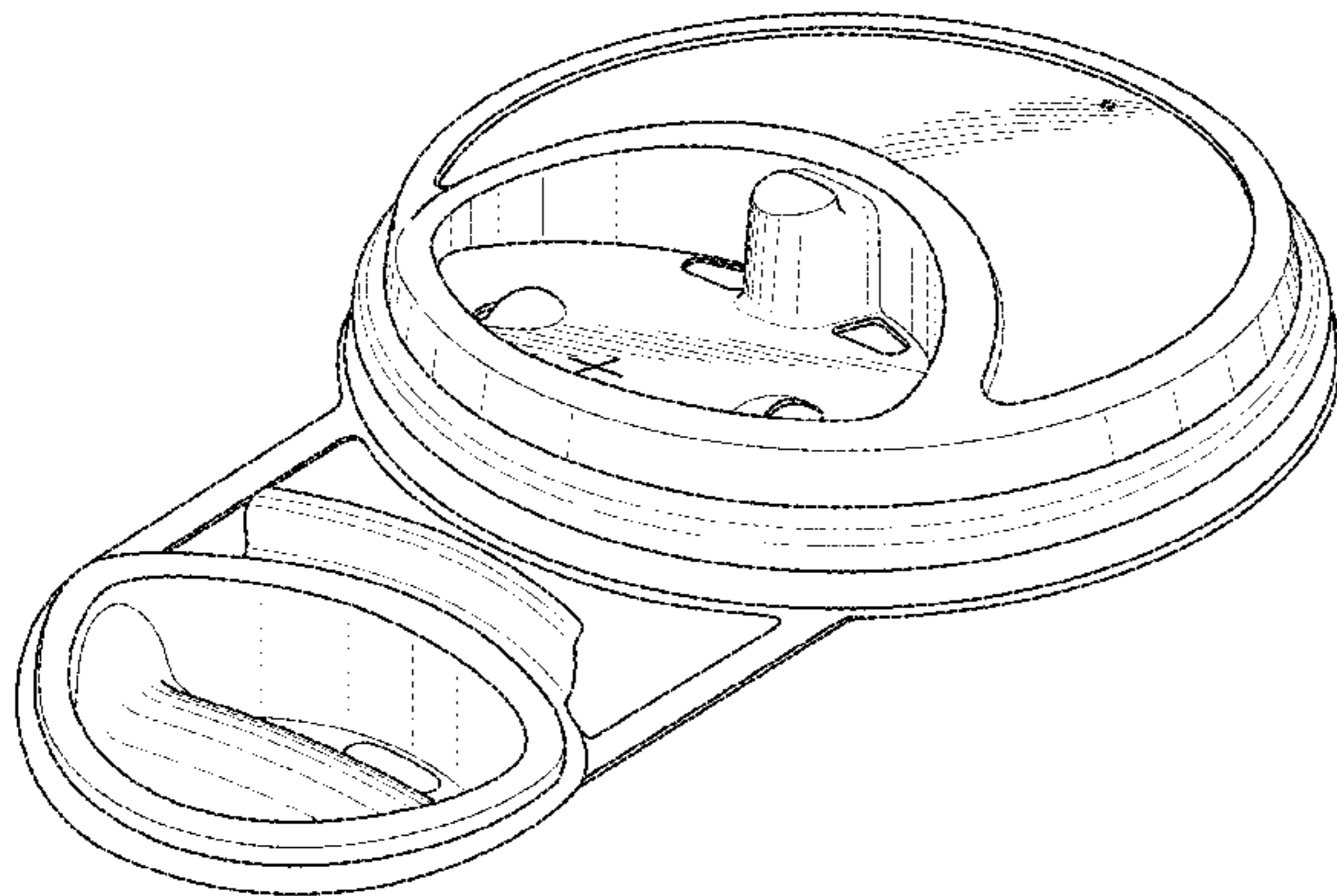
(57) **CLAIM**

I claim, the ornamental design for a splash resistant beverage lid, as shown and described.

DESCRIPTION

FIG. 1 is a perspective view of my unassembled new splash resistant beverage lid design
FIG. 2 is a top view of my unassembled new splash resistant beverage lid design
FIG. 3 is the bottom view of my unassembled new splash resistant beverage lid design
FIG. 4 is a left side view of my unassembled new splash resistant beverage lid design
FIG. 5 is a right side view of my unassembled new splash resistant beverage lid design
FIG. 6 is a front elevation of my unassembled new splash resistant beverage lid design
FIG. 7 is a rear elevation of my unassembled new splash resistant beverage lid design; and,
FIG. 8 is a perspective view of my assembled new splash resistant beverage lid design.

1 Claim, 6 Drawing Sheets



(56)

References Cited

U.S. PATENT DOCUMENTS

D692,756 S * 11/2013 McClellan D9/447
8,631,957 B2 * 1/2014 Dart B65D 43/0212
220/254.3
D752,436 S * 3/2016 Crudgington D9/434
D799,319 S * 10/2017 Tskhovrebova D9/447
9,908,667 B1 * 3/2018 Smith B65D 43/16
9,944,435 B2 * 4/2018 Mithal B65D 43/0212
2002/0170912 A1 * 11/2002 Clarke B65D 43/0212
220/254.1
2003/0024930 A1 * 2/2003 Smith B65D 43/0212
220/254.1
2015/0223625 A1 * 8/2015 Fleming B65D 43/0212
220/713

* cited by examiner

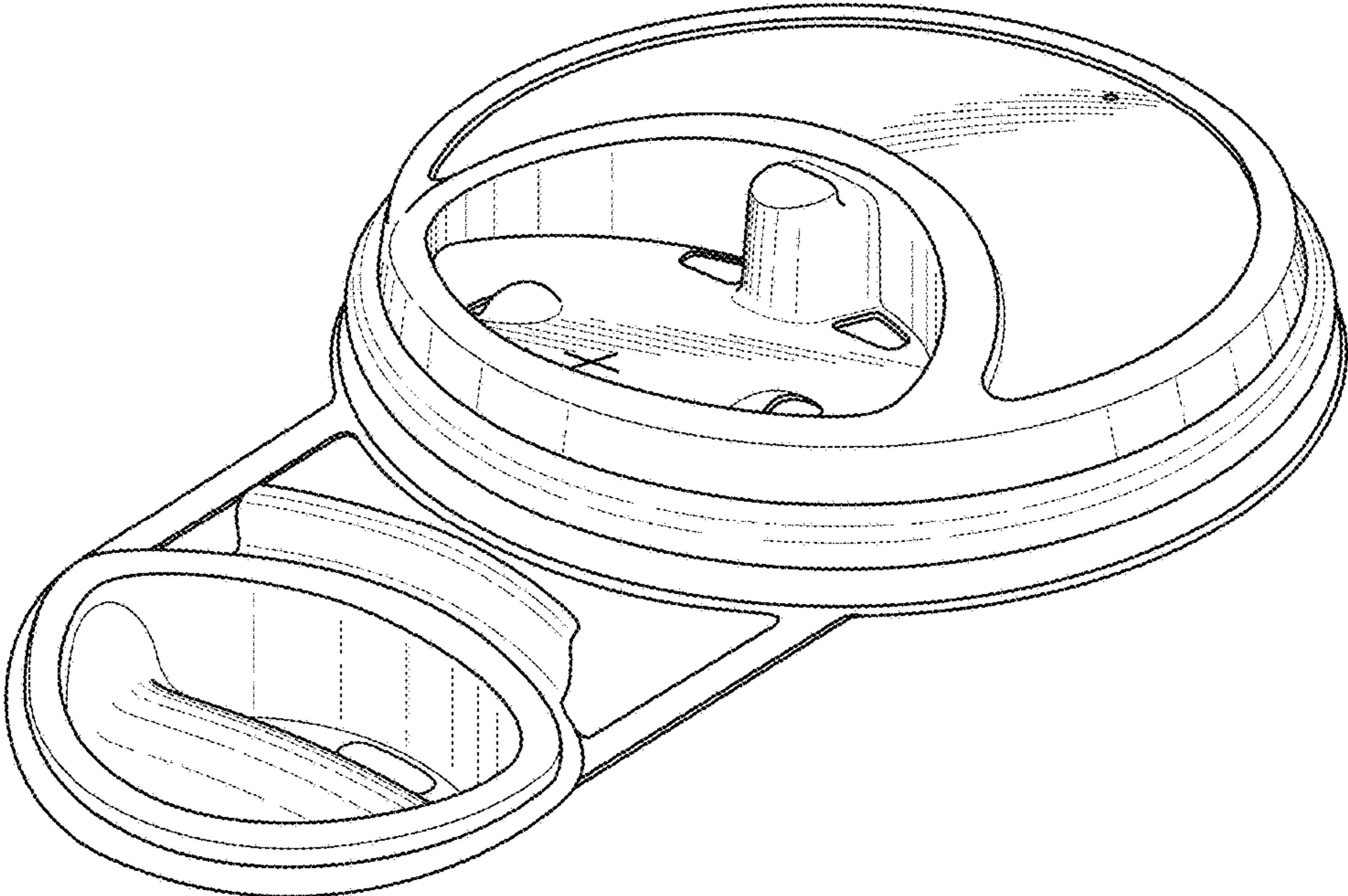


Fig. 1

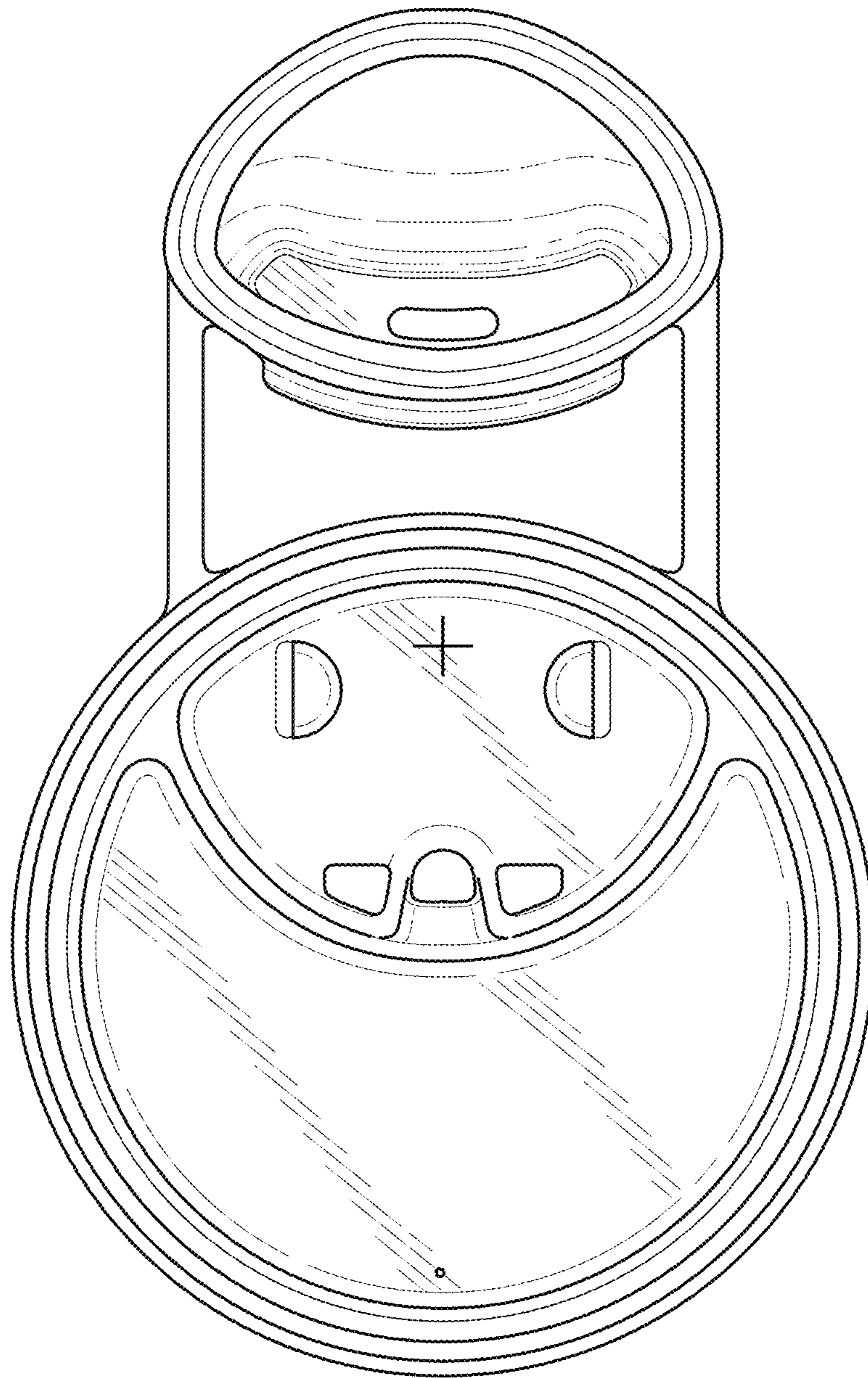


Fig. 2

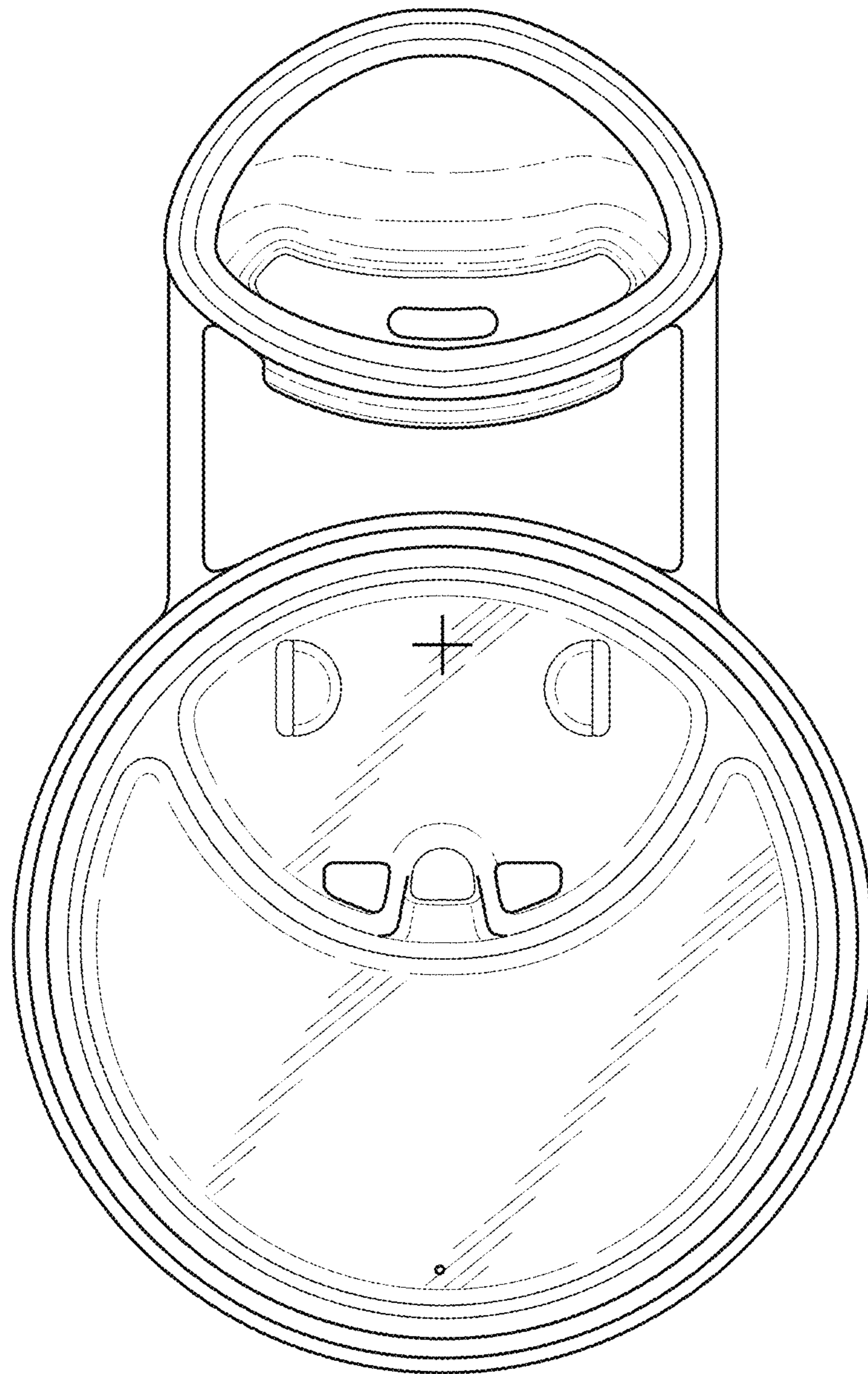


Fig. 3

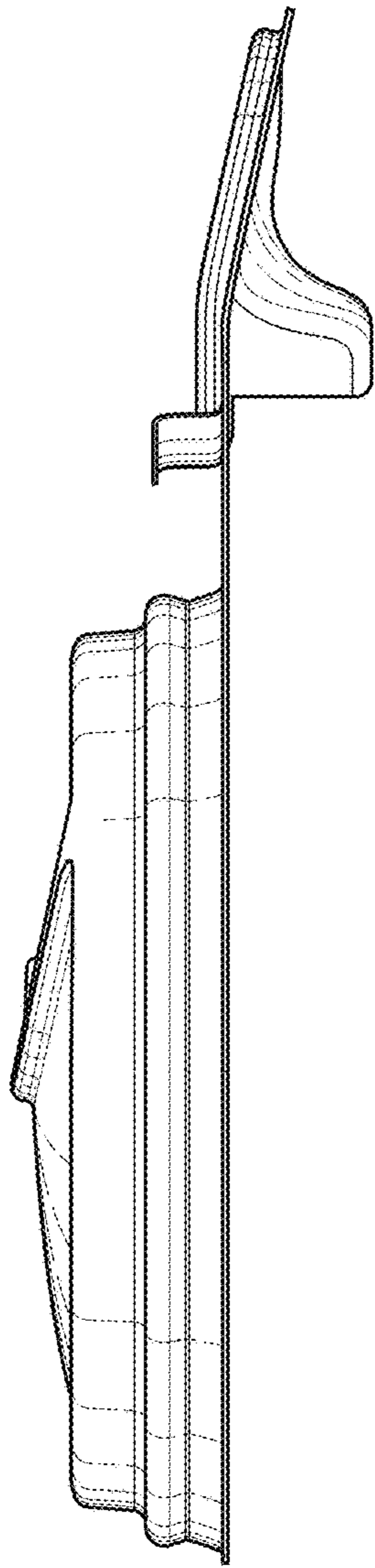


Fig. 4

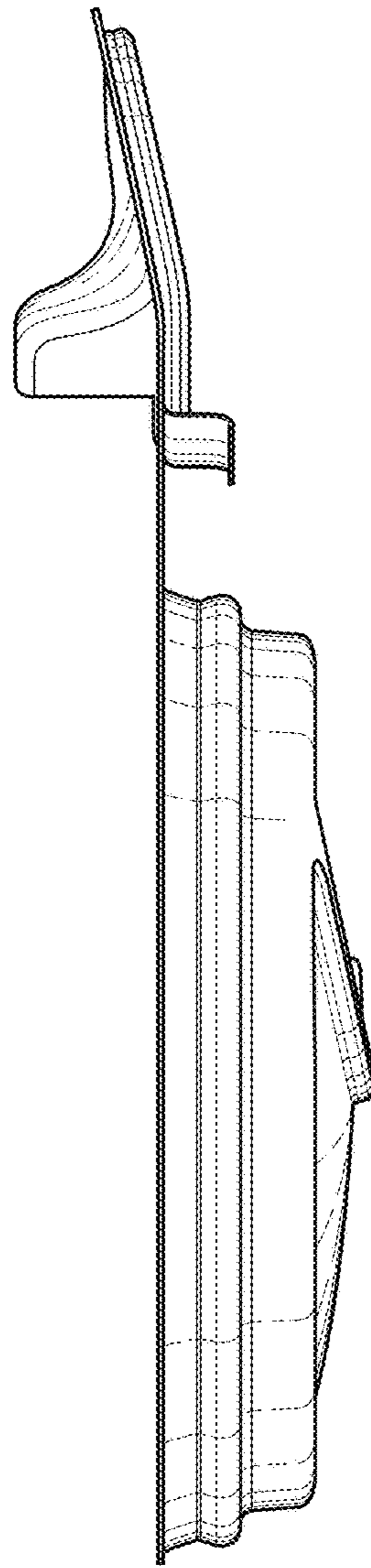


Fig. 5

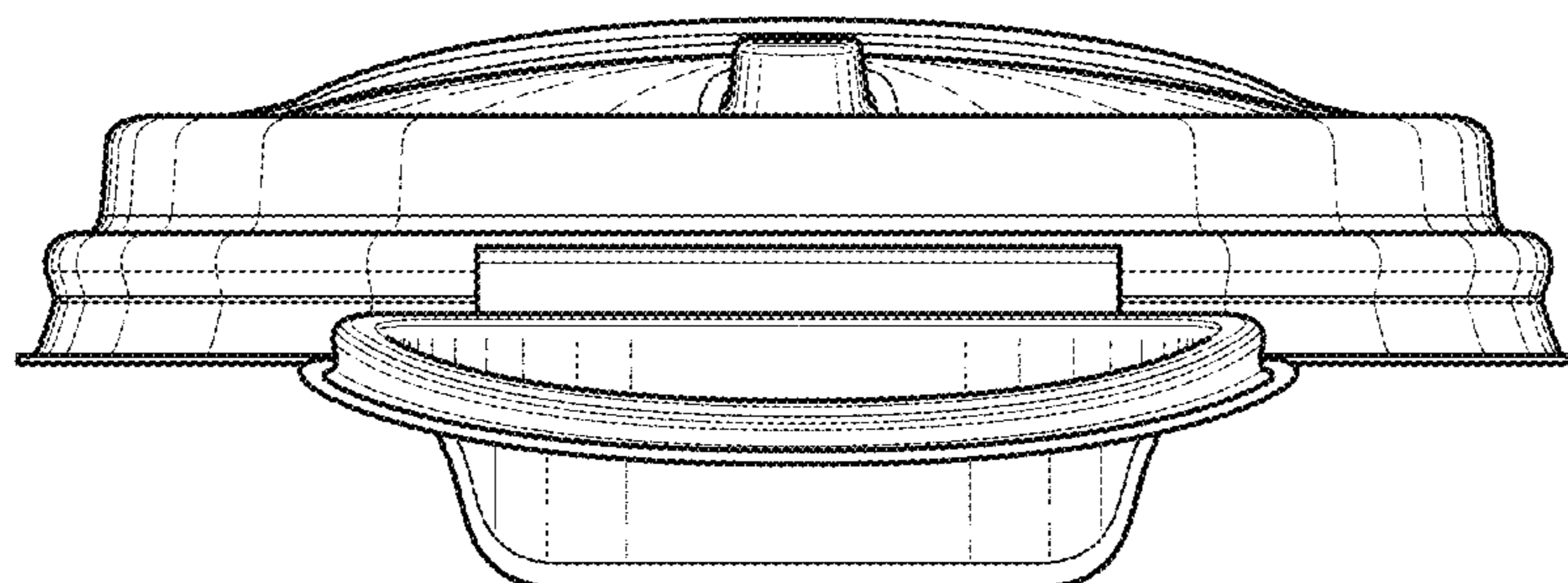


Fig. 6

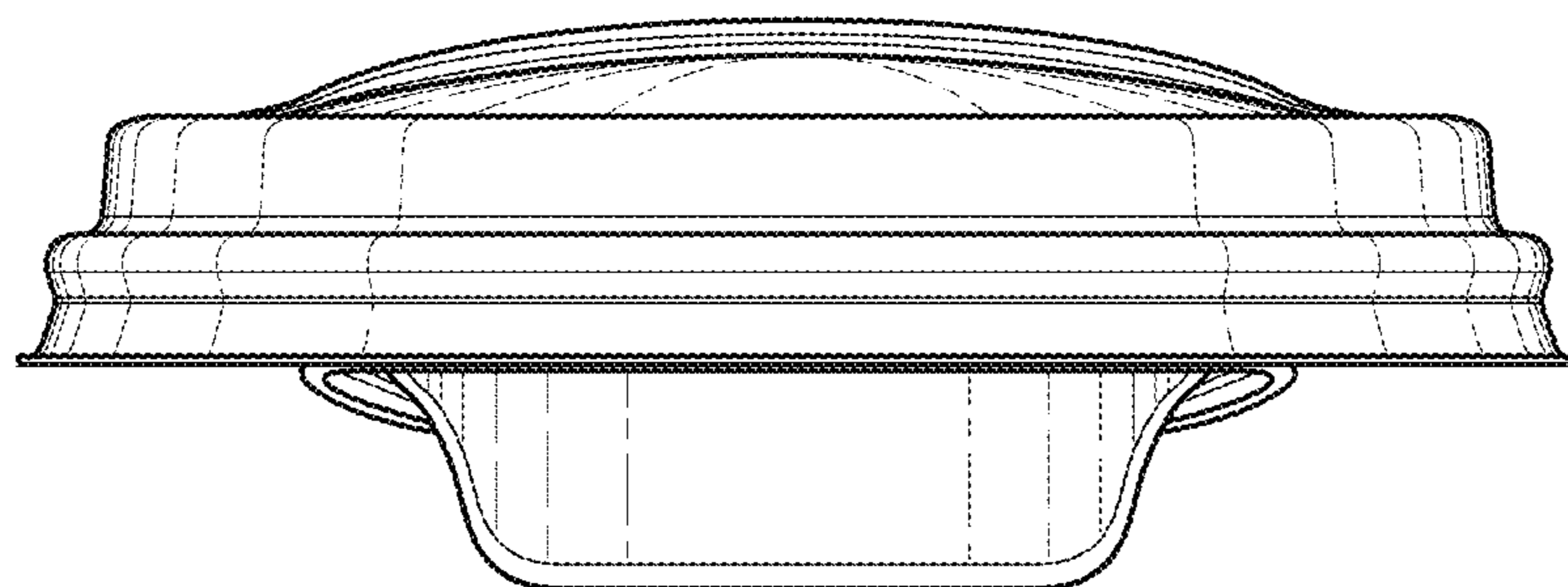


Fig. 7

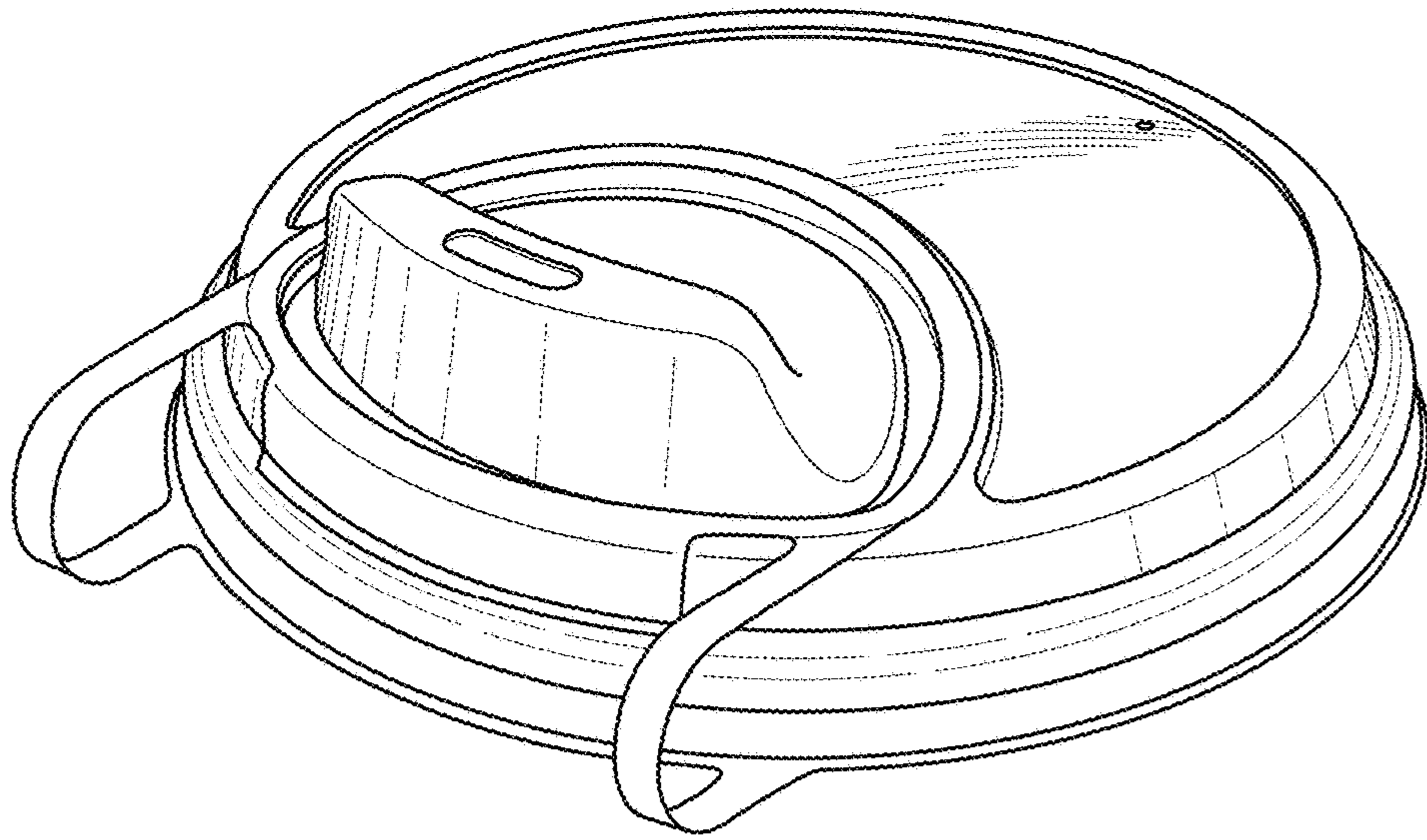


Fig. 8