



US00D828158S

(12) **United States Design Patent** (10) **Patent No.:** **US D828,158 S**
Manis (45) **Date of Patent:** **** Sep. 11, 2018**

- (54) **LID WITH SCOOP RETAINER**
- (71) Applicant: **Leslie D. Manis**, Kingsport, TN (US)
- (72) Inventor: **Leslie D. Manis**, Kingsport, TN (US)
- (**) Term: **15 Years**
- (21) Appl. No.: **29/584,765**
- (22) Filed: **Nov. 17, 2016**
- (51) **LOC (11) Cl.** **09-07**
- (52) **U.S. Cl.**
 USPC **D9/436; D9/454**
- (58) **Field of Classification Search**
 USPC D7/300, 300.1, 303, 317, 321, 387, 392,
 D7/392.1, 396.1, 396.2, 397, 511, 602,
 D7/401.2, 637, 653, 691; D9/434-436,
 D9/440, 443-445, 447, 454, 455, 499,
 D9/449, 715-721
 CPC B65D 51/24
 See application file for complete search history.

(56) **References Cited**
 U.S. PATENT DOCUMENTS

1,768,771	A	7/1930	La Tourette	
2,738,900	A	3/1956	Wenger	
3,312,366	A	4/1967	Poris	
3,409,168	A *	11/1968	Chmielowiec	B65D 7/34 220/614
3,722,779	A	3/1973	Chang	
D285,056	S *	8/1986	Allen	D9/454
D320,559	S *	10/1991	Olson	D9/435
D367,818	S *	3/1996	Zana	D9/454
D369,109	S *	4/1996	Proshan	D7/392.1
D373,927	S *	9/1996	Kramer	D7/391
5,706,974	A	1/1998	Murdick et al.	
D471,453	S *	3/2003	Stodd	D9/434
7,040,500	B2	5/2006	Kipperman et al.	
D522,857	S *	6/2006	Tabeshnekoo	D9/435

D628,068	S *	11/2010	Gonzalez Sanchez	D9/449
D645,742	S *	9/2011	Sharma	D9/435
8,313,001	B1	11/2012	Reid et al.	
D690,200	S *	9/2013	Arand	D9/449
D717,104	S *	11/2014	Redfern	D7/392.1
D731,241	S *	6/2015	Yessin	D7/392.1
D767,329	S *	9/2016	Mock	D7/392.1
D774,887	S *	12/2016	Torrison	D9/416
D777,034	S *	1/2017	Sill	D9/454
2005/0035122	A1	2/2005	Ekkert	

OTHER PUBLICATIONS

Web Packaging. Weatherchem creates the innovative MegaFlap closure, with integrated scoop. Nov. 21, 2011 [earliest online date], [site visited Feb. 22, 2018]. Available from Internet, <URL:https://goo.gl/4tLaSz>. (Year: 2011).*

(Continued)

Primary Examiner — Eric L Goodman
Assistant Examiner — Darcey E Heflin
 (74) *Attorney, Agent, or Firm* — Cramer Patent & Design, PLLC; Aaron R. Cramer

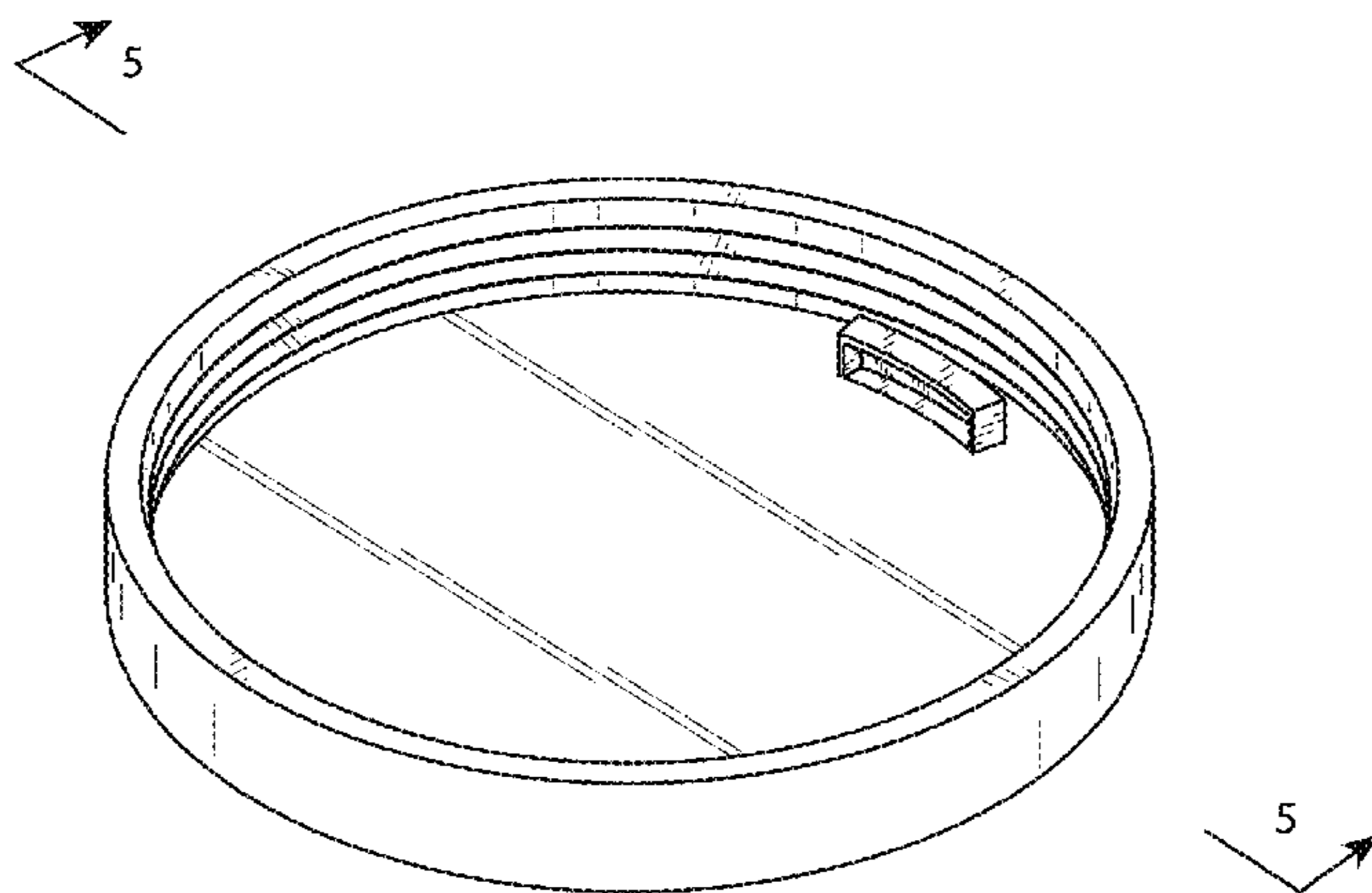
(57) **CLAIM**

The ornamental design for a lid with scoop retainer, as shown and described.

DESCRIPTION

FIG. 1 is a perspective top front side view of a lid with scoop retainer, showing my new design;
 FIG. 2 is a front side elevation view, with the rear side elevation view, right side elevation view and left side elevation view being identical;
 FIG. 3 is a top side plan view thereof;
 FIG. 4 is a bottom side plan view thereof; and,
 FIG. 5 is a sectional right side elevation view of FIG. 1 taken along line 5-5.

1 Claim, 5 Drawing Sheets



(56)

References Cited

OTHER PUBLICATIONS

Web Packaging. Nutri-Line: Innovative lids and scoops for enhanced hygiene and comfort. Mar. 13, 2014 [earliest online date], [site visited Feb. 22, 2018]. Available from Internet, <URL: <https://goo.gl/dCTim>>. (Year: 2014).*

Similac SimplePac. Product Listing [online]. Abbott Laboratories, Limited, 2015 [retrieved on Sep. 1, 2016]. Retrieved from the Internet: <https://similac.ca/en/products/simplepac>.

* cited by examiner

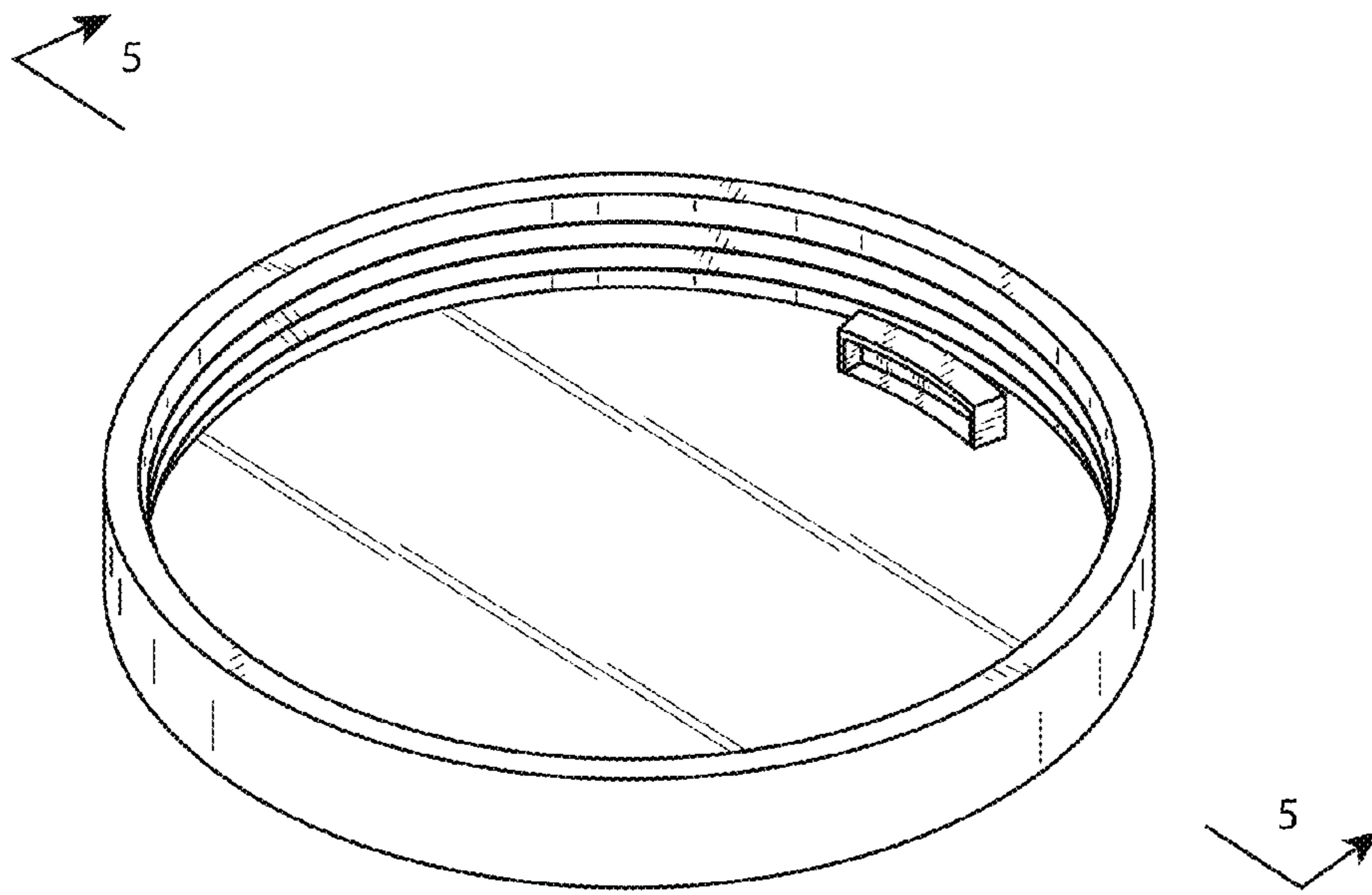


FIG. 1



FIG. 2

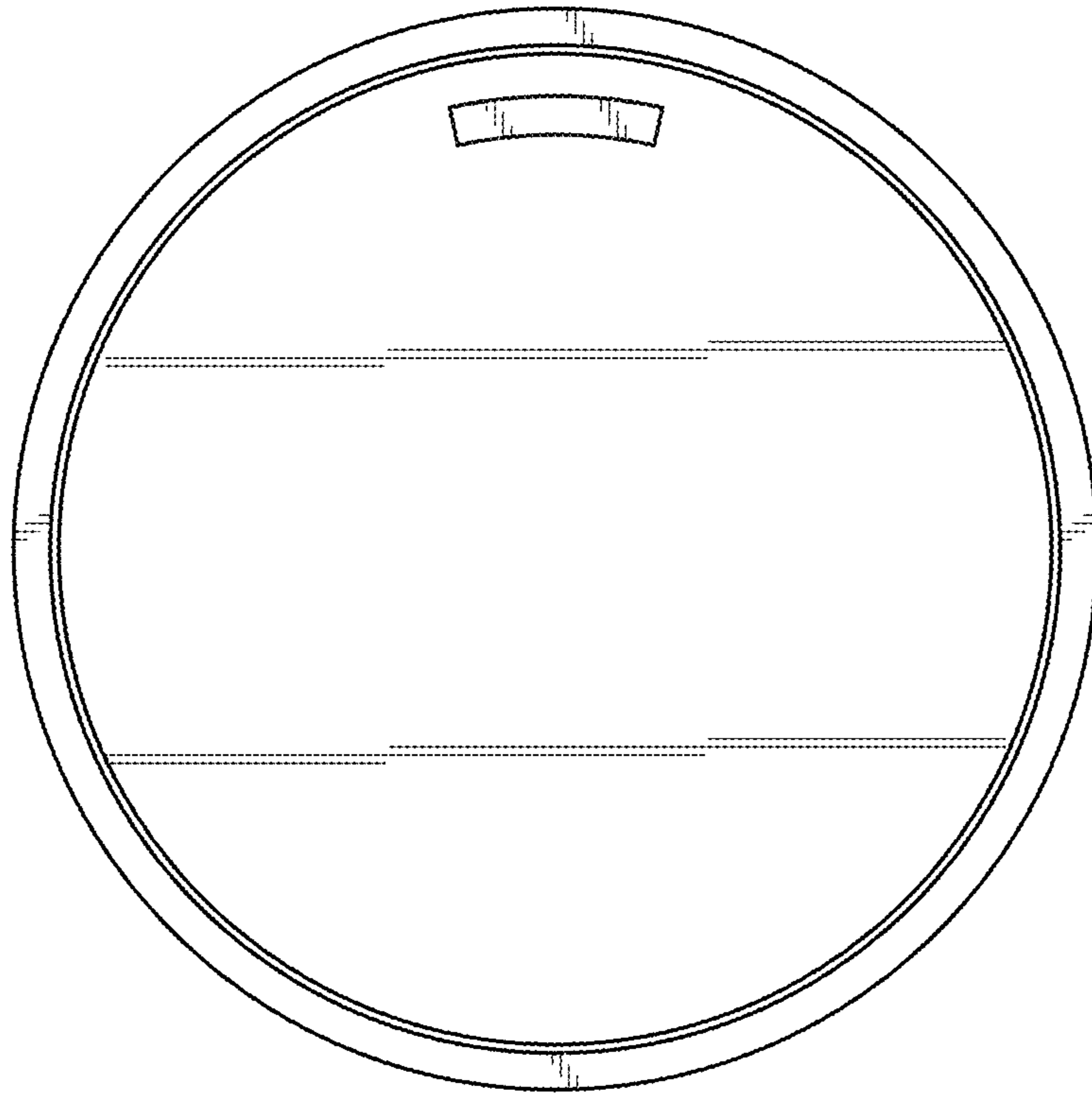


FIG. 3

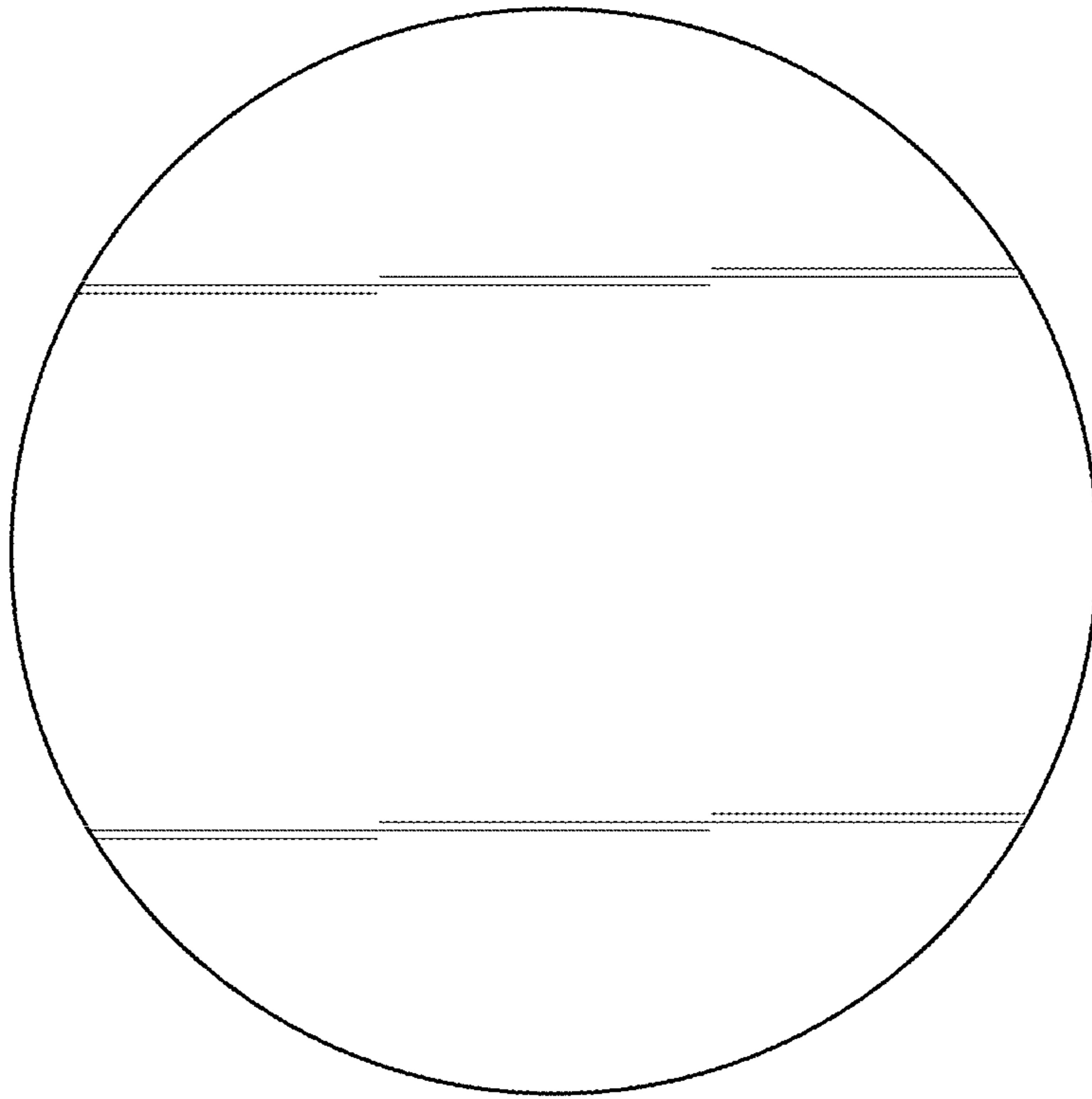


FIG. 4

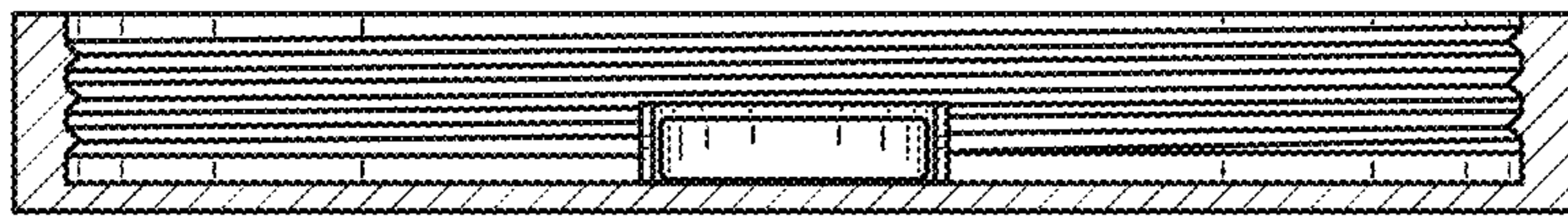


FIG. 5