

US00D828152S

(12) **United States Design Patent**
Huang

(10) **Patent No.:** **US D828,152 S**

(45) **Date of Patent:** **** Sep. 11, 2018**

(54) **HEX FLAT TOP LUG NUT COVER**

(71) Applicant: **Nan Huang Huang**, Rancho Palos Verdes, CA (US)

(72) Inventor: **Nan Huang Huang**, Rancho Palos Verdes, CA (US)

(73) Assignee: **Grand General Accessories Manufacturing**, Rancho Dominguez, CA (US)

(**) Term: **15 Years**

(21) Appl. No.: **29/584,554**

(22) Filed: **Nov. 15, 2016**

(51) **LOC (11) Cl.** **08-08**

(52) **U.S. Cl.**
USPC **D8/397**

(58) **Field of Classification Search**
USPC D8/397, 394, 382, 349
CPC ... E04G 25/065; F16B 41/002; F16B 23/0061
See application file for complete search history.

(56) **References Cited**

U.S. PATENT DOCUMENTS

D243,154 S *	1/1977	Dieme	D8/387
D268,565 S *	4/1983	Mortus	D8/397
4,406,140 A *	9/1983	Wolter	F16B 41/005 70/231
4,420,848 A *	12/1983	Becker	B23K 11/002 470/22
D298,737 S *	11/1988	Wallace	D8/387
4,850,776 A *	7/1989	Toth	B23K 11/14 411/376
5,302,069 A *	4/1994	Toth	B60B 7/00 411/373
D484,785 S *	1/2004	Plumer	D8/397
D488,715 S *	4/2004	Plumer	D8/397
D510,259 S *	10/2005	Yoshimoto	D8/397

D521,858 S *	5/2006	Roy	D8/397
D583,656 S *	12/2008	Bush	D8/397
D590,243 S *	4/2009	Bush	D8/397
8,016,535 B1 *	9/2011	Roberts	F16B 41/005 411/373
D675,561 S *	2/2013	Chou	D12/607
D746,129 S *	12/2015	Kishida	D8/399
D780,562 S *	3/2017	Baiz	D8/387
D781,691 S *	3/2017	Baiz	D8/387
D786,056 S *	5/2017	Baiz	D8/387
D787,924 S *	5/2017	Baiz	D8/387
D796,310 S *	9/2017	Baiz	D8/397
D799,954 S *	10/2017	Baiz	D8/397
D801,166 S *	10/2017	Baiz	D8/397
D801,167 S *	10/2017	Baiz	D8/397
D809,376 S *	2/2018	Huang	D8/397
D809,910 S *	2/2018	Vargas	D8/397
2002/0098059 A1 *	7/2002	Schmidt	F16B 37/14 411/399

(Continued)

Primary Examiner — Cynthia R Underwood

(74) *Attorney, Agent, or Firm* — Thoma I. Rozsa

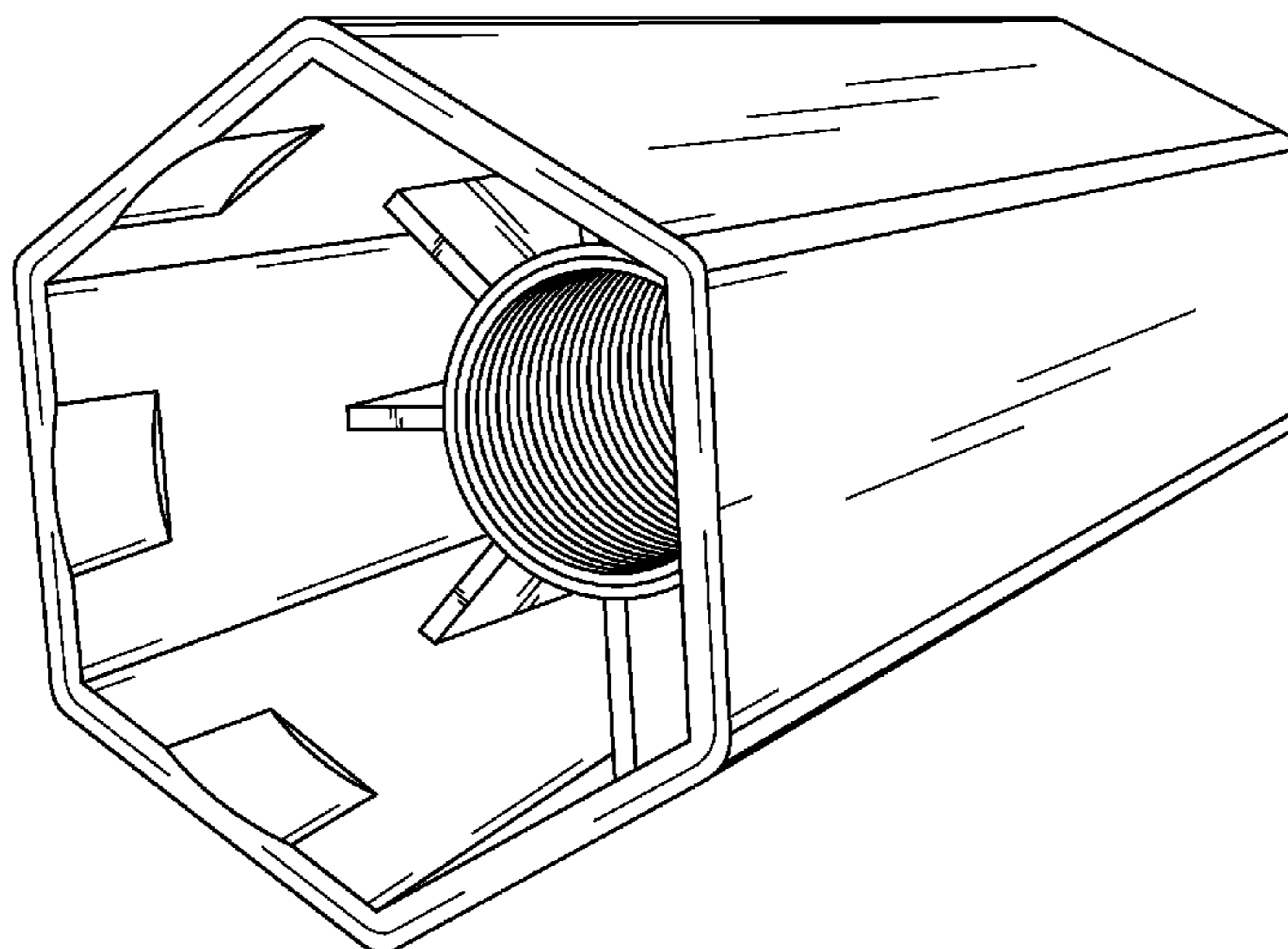
(57) **CLAIM**

The ornamental design for a hex flat top lug nut cover, as shown and described.

DESCRIPTION

FIG. 1 is a left side perspective view of the hex flat top lug nut cover, showing my new design;
FIG. 2 is a right side perspective view thereof;
FIG. 3 is a front view thereof;
FIG. 4 is a rear view thereof;
FIG. 5 is a left side view thereof;
FIG. 6 is a right side view thereof;
FIG. 7 is a top view thereof; and,
FIG. 8 is a bottom view thereof.
The broken lines represent portions of the structure that forms no part of the claim.

1 Claim, 8 Drawing Sheets



(56)

References Cited

U.S. PATENT DOCUMENTS

2013/0071204 A1* 3/2013 Hunter F16B 37/14
411/373

* cited by examiner

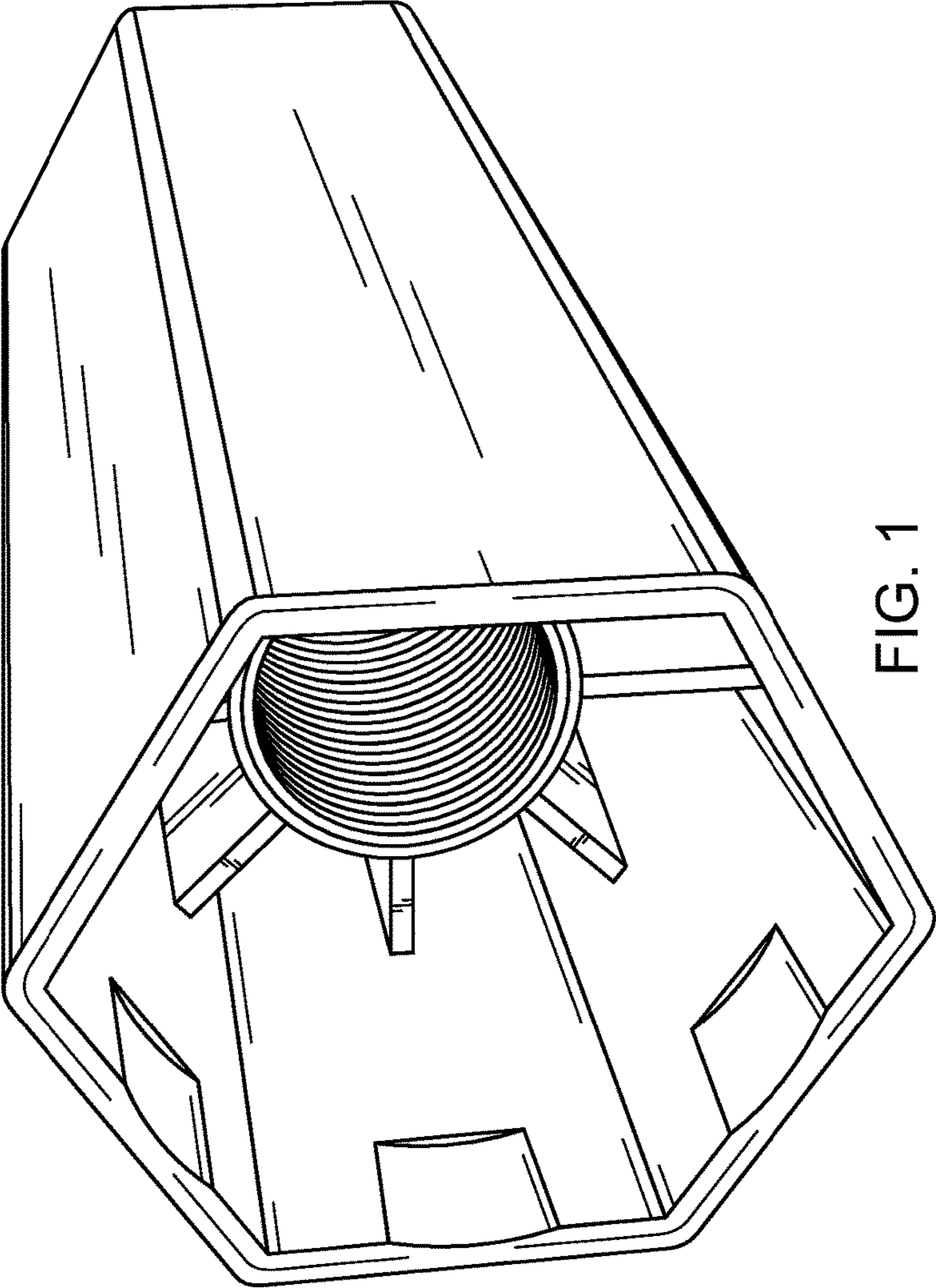


FIG. 1

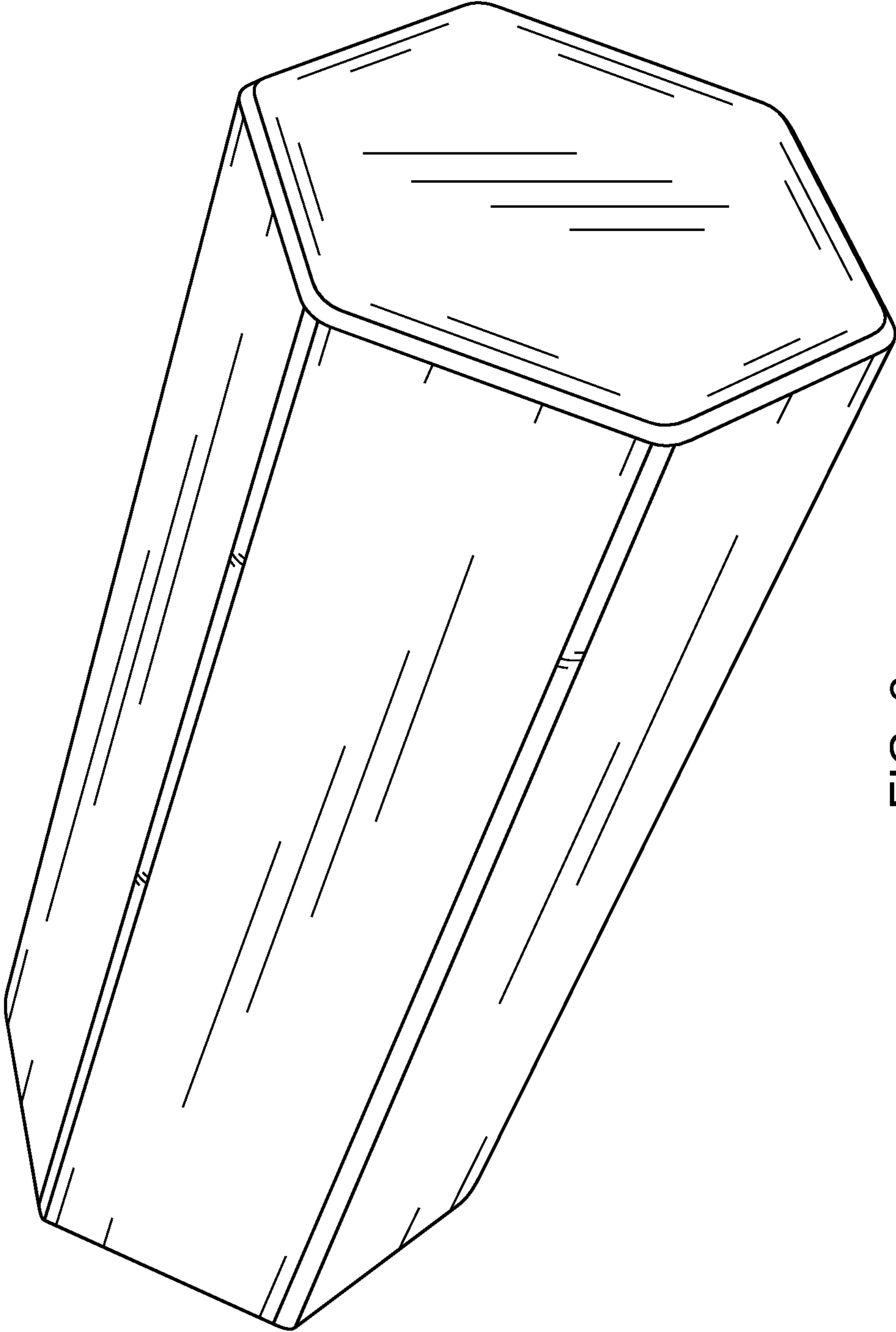


FIG. 2

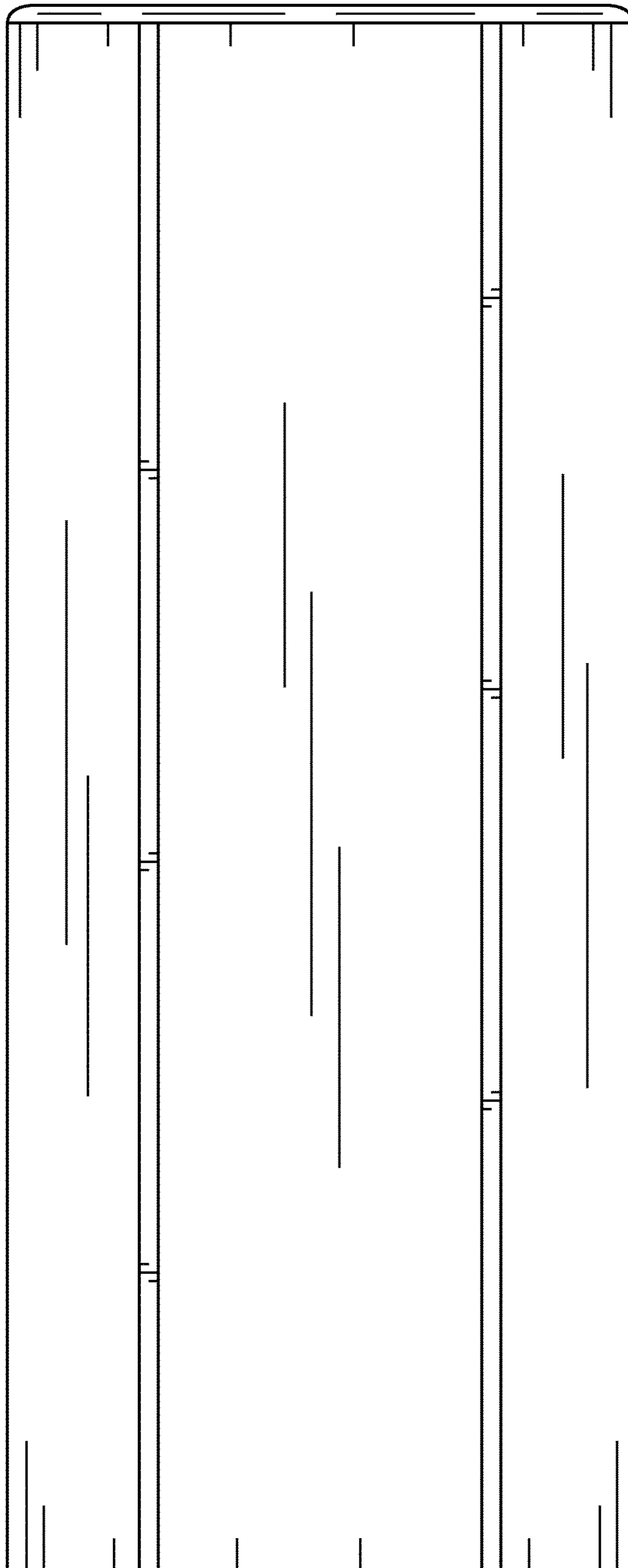


FIG. 3

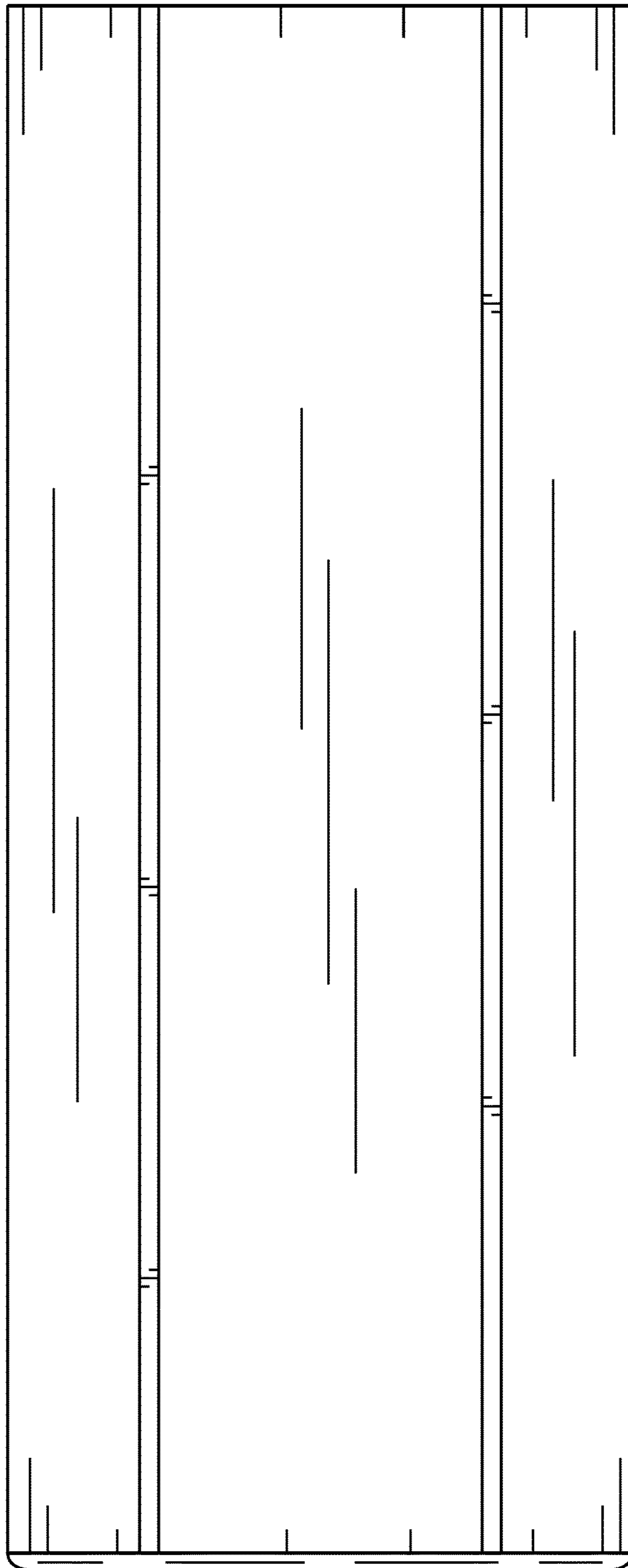


FIG. 4

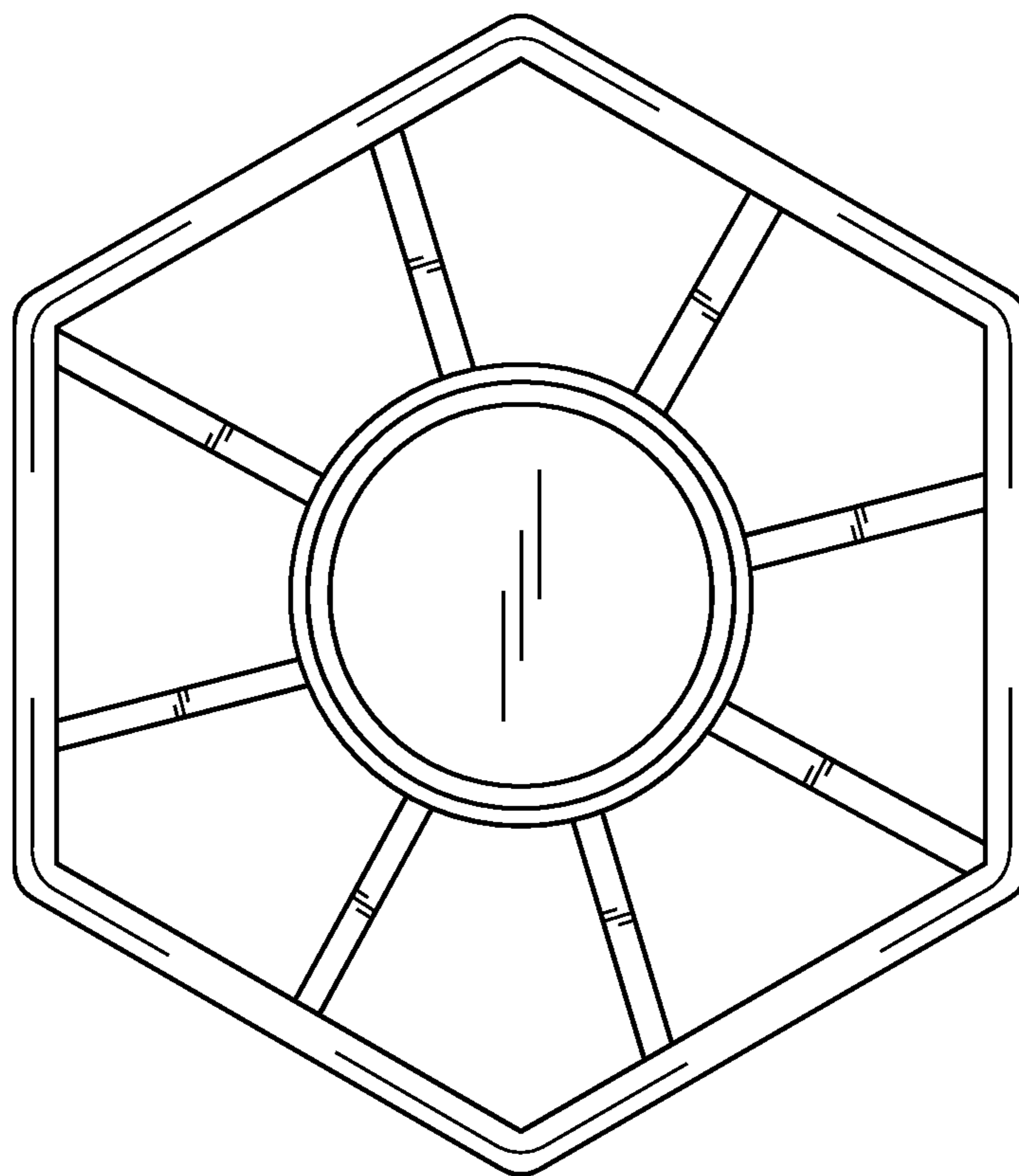


FIG. 5

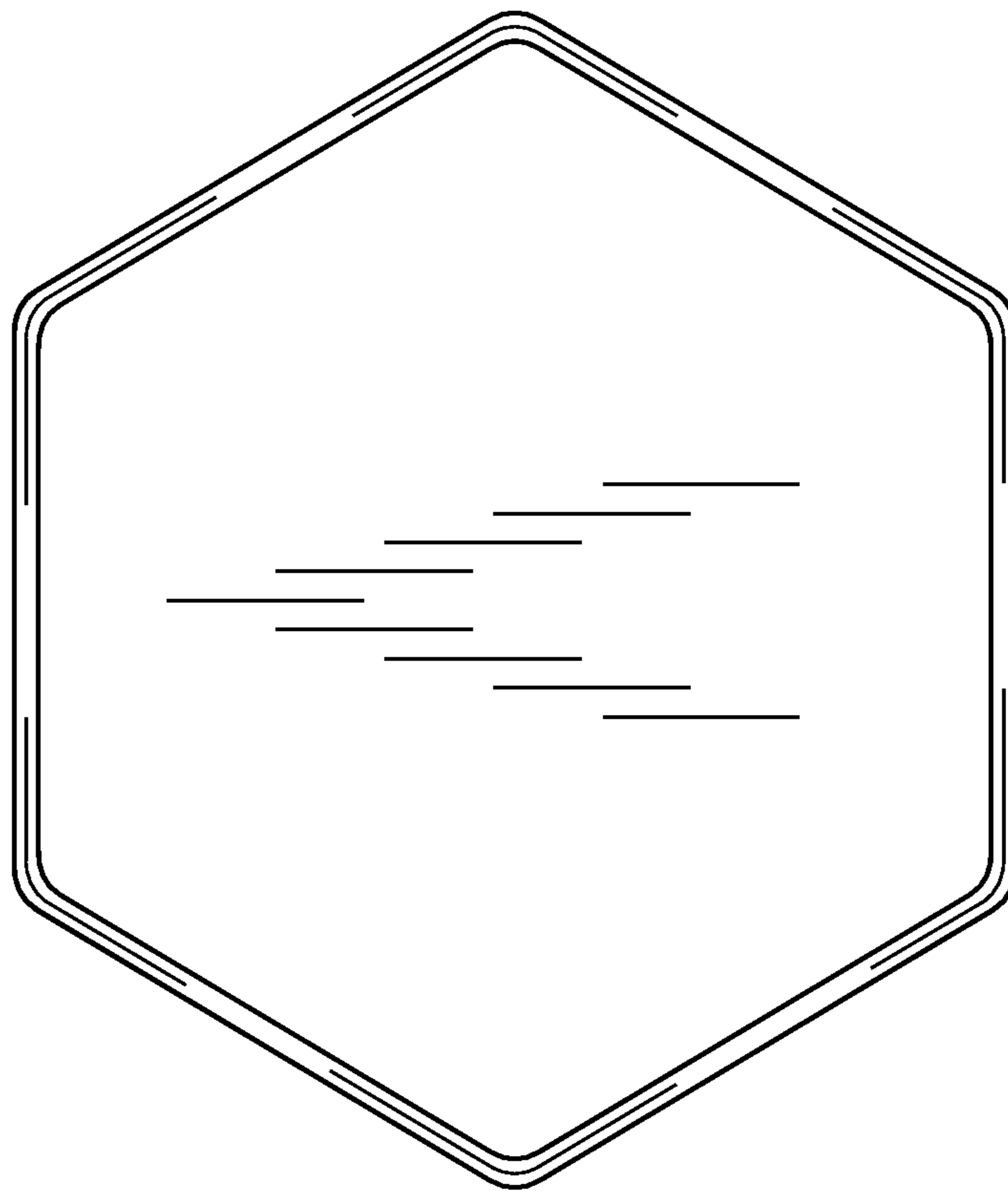


FIG. 6

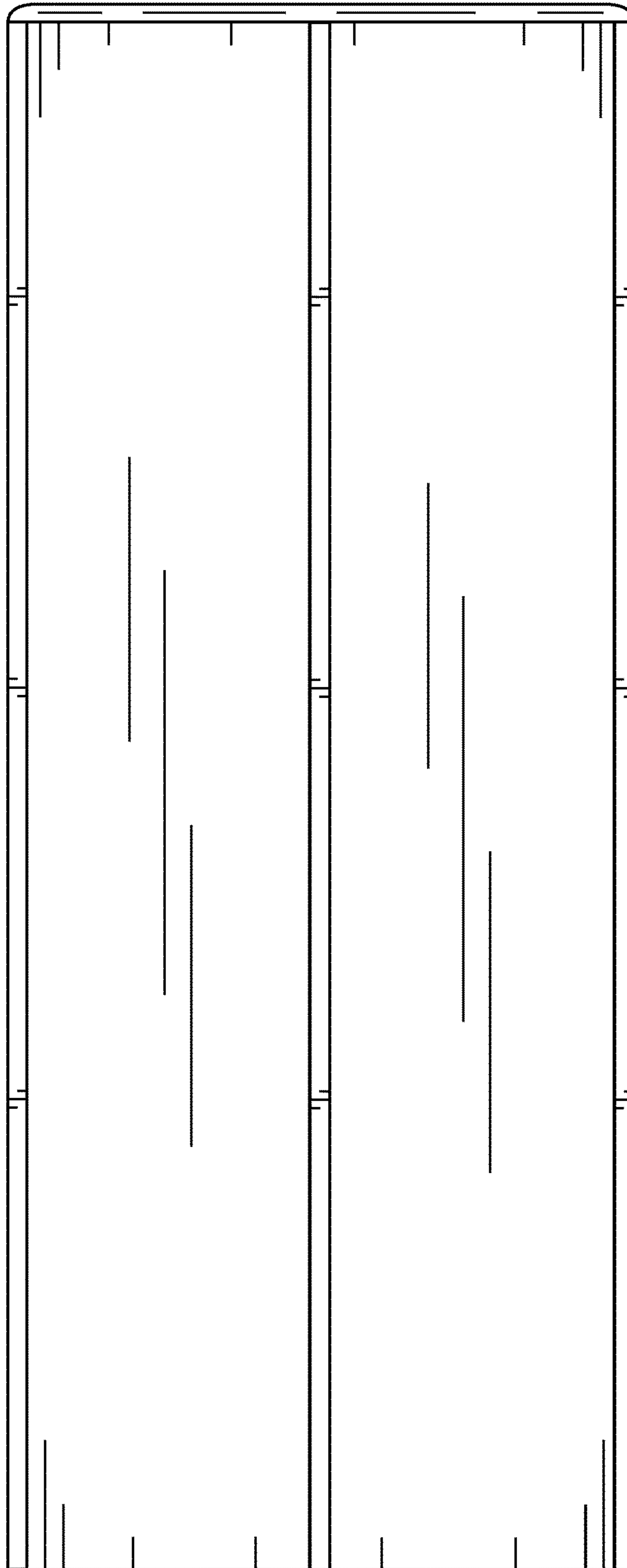


FIG. 7

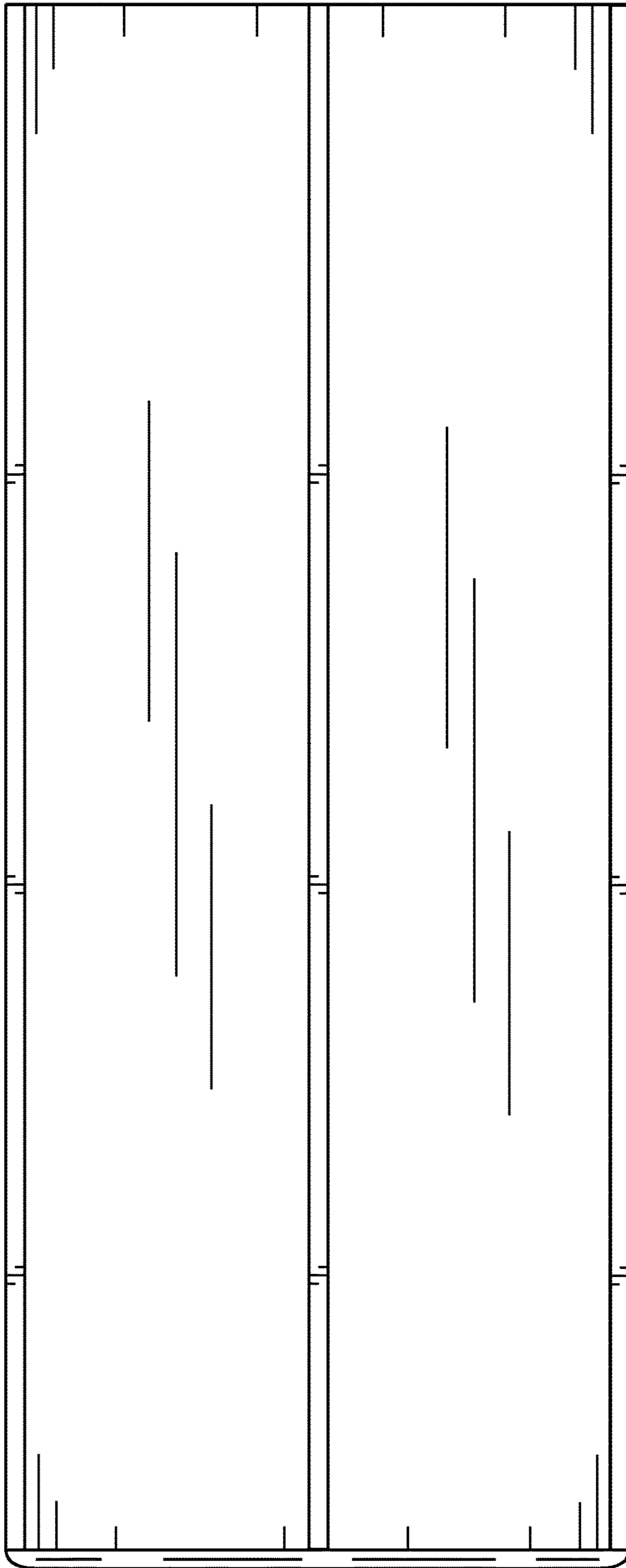


FIG. 8