



US00D828150S

(12) **United States Design Patent**
Robinson

(10) **Patent No.:** **US D828,150 S**

(45) **Date of Patent:** **** Sep. 11, 2018**

(54) **THERMOPLASTIC BAND**
(71) Applicant: **D R BALING WIRE**
MANUFACTURERS LIMITED,
Sheffield (GB)
(72) Inventor: **Peter James Robinson,** Sheffield (GB)
(**) Term: **15 Years**
(21) Appl. No.: **35/502,054**
(22) Filed: **Jul. 28, 2016**

7,250,213 B2 * 7/2007 Duncan E04C 5/00
24/27
8,201,308 B2 * 6/2012 Caslowitz A43B 5/16
24/68 R
8,387,215 B2 * 3/2013 Koncelik, Jr. B65D 63/1018
24/16 PB
8,978,211 B2 * 3/2015 Arjomand B65D 63/1027
24/16 PB
D774,879 S * 12/2016 Martinson D8/394
9,637,291 B2 * 5/2017 Montejo B65D 63/12
2008/0222853 A1 * 9/2008 Zavattieri F16L 33/02
24/20 R
2009/0235494 A1 * 9/2009 Browne B65D 63/1027
24/16 R

(80) **Hague Agreement Data**

Int. Filing Date: **Jul. 28, 2016**
Int. Reg. No.: **DM/093598**
Int. Reg. Date: **Jul. 28, 2016**
Int. Reg. Pub. Date: **Dec. 9, 2016**

* cited by examiner

Primary Examiner — Manpreet S Matharu
Assistant Examiner — Eliza Z Bennett-Hattan

(51) **LOC (11) Cl.** **08-08**

(52) **U.S. Cl.**
USPC **D8/394**

(58) **Field of Classification Search**
USPC D8/358, 396, 356, 359, 360.1, 44, 394;
D14/484; D3/24
CPC Y10T 24/148; Y10T 24/1467; Y10T
29/49821; Y10T 24/14; Y10T 24/4093;
Y10T 24/1406; B65D 63/02; B65D
63/10; B65D 85/16
See application file for complete search history.

(57) **CLAIM**

The ornamental design for thermoplastic band, as shown and described.

DESCRIPTION

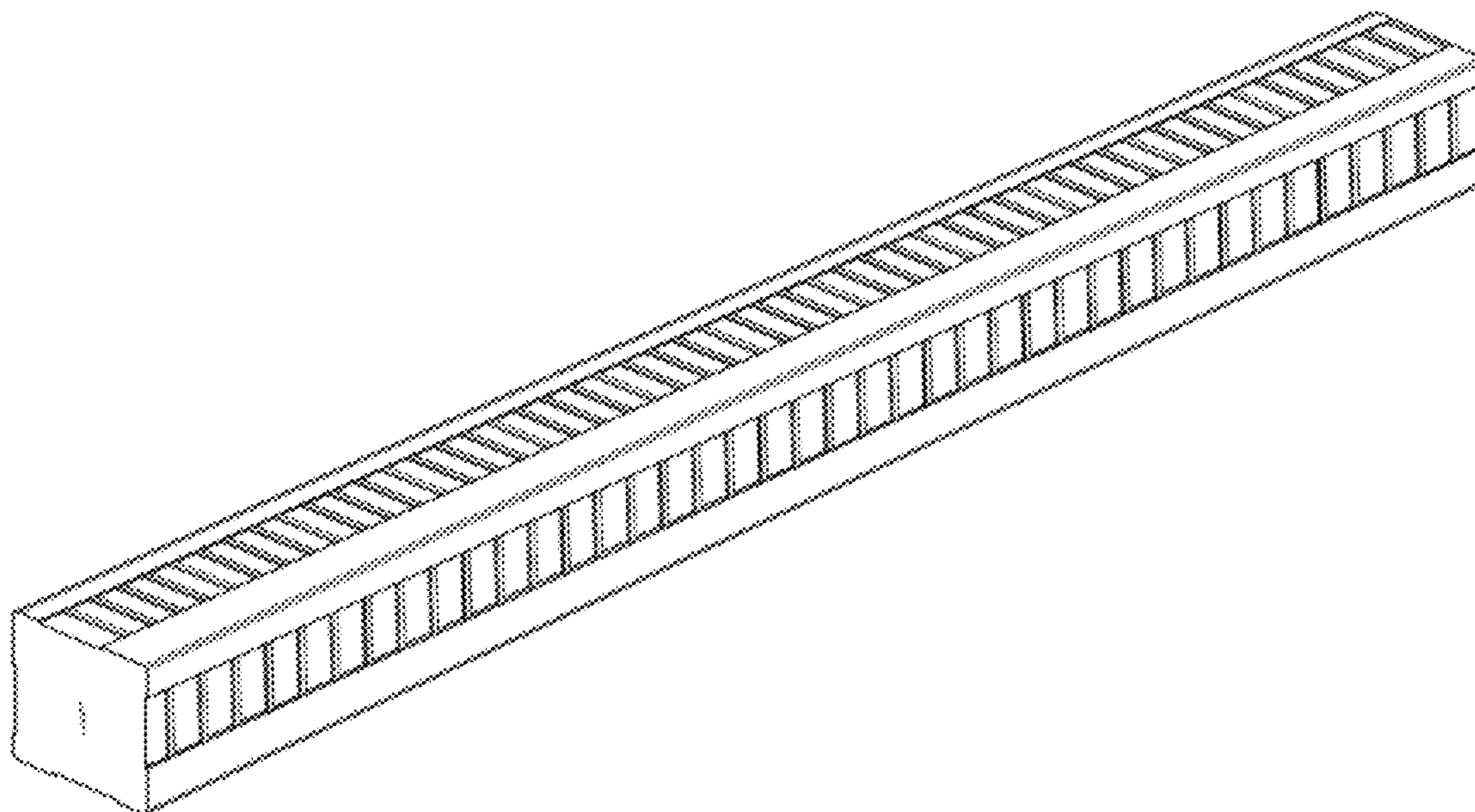
1. Thermoplastic bands
1.1 : Perspective
1.2 : Partial Enlarged view
1.3 : Top
1.4 : Bottom
The products are thermoplastic bands for tying around large bales of refuse or waste material.

(56) **References Cited**

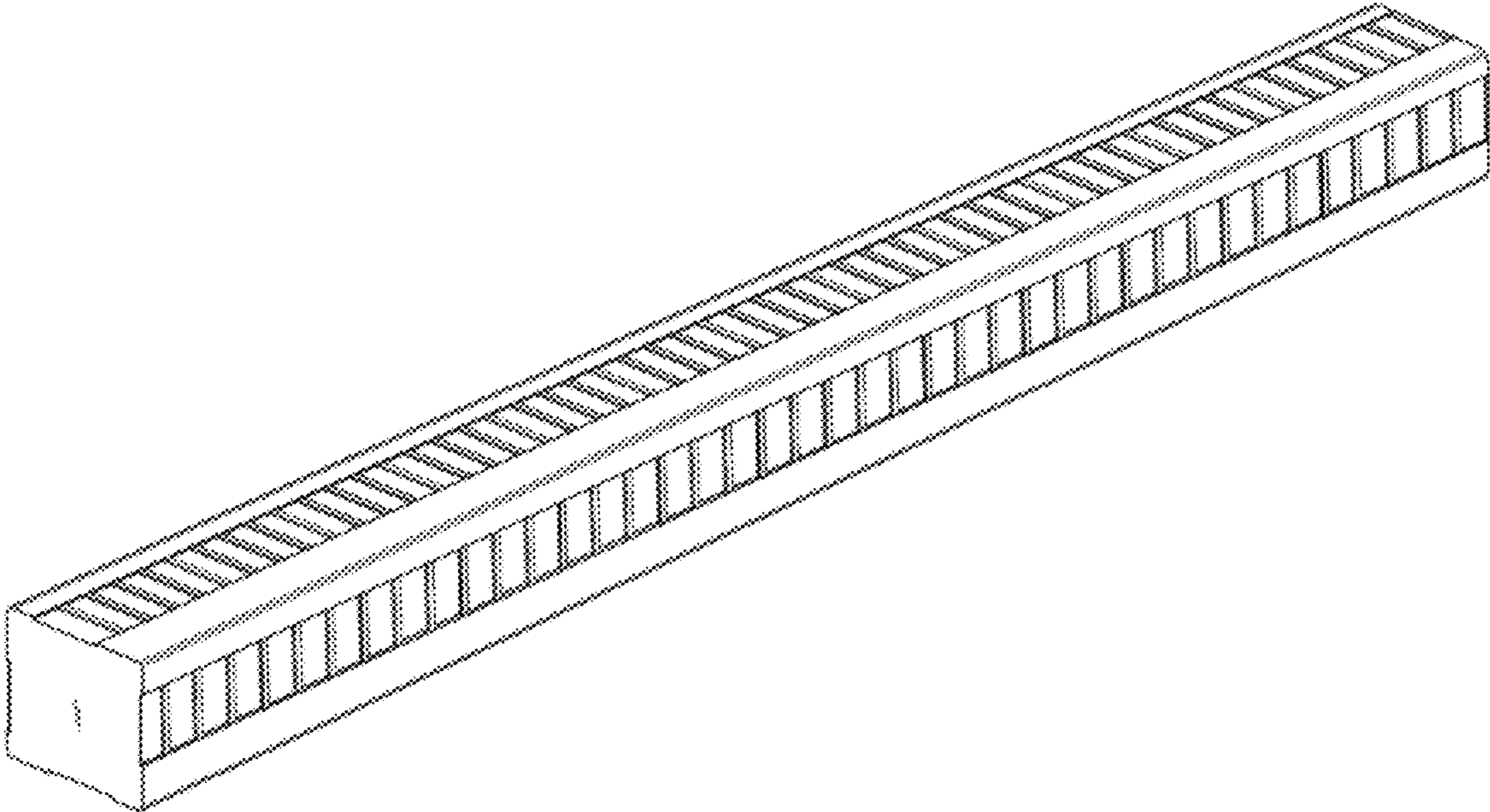
U.S. PATENT DOCUMENTS

3,857,139 A * 12/1974 Turner B65D 63/10
229/87.09
5,766,218 A * 6/1998 Arnott A61B 17/823
24/16 PB

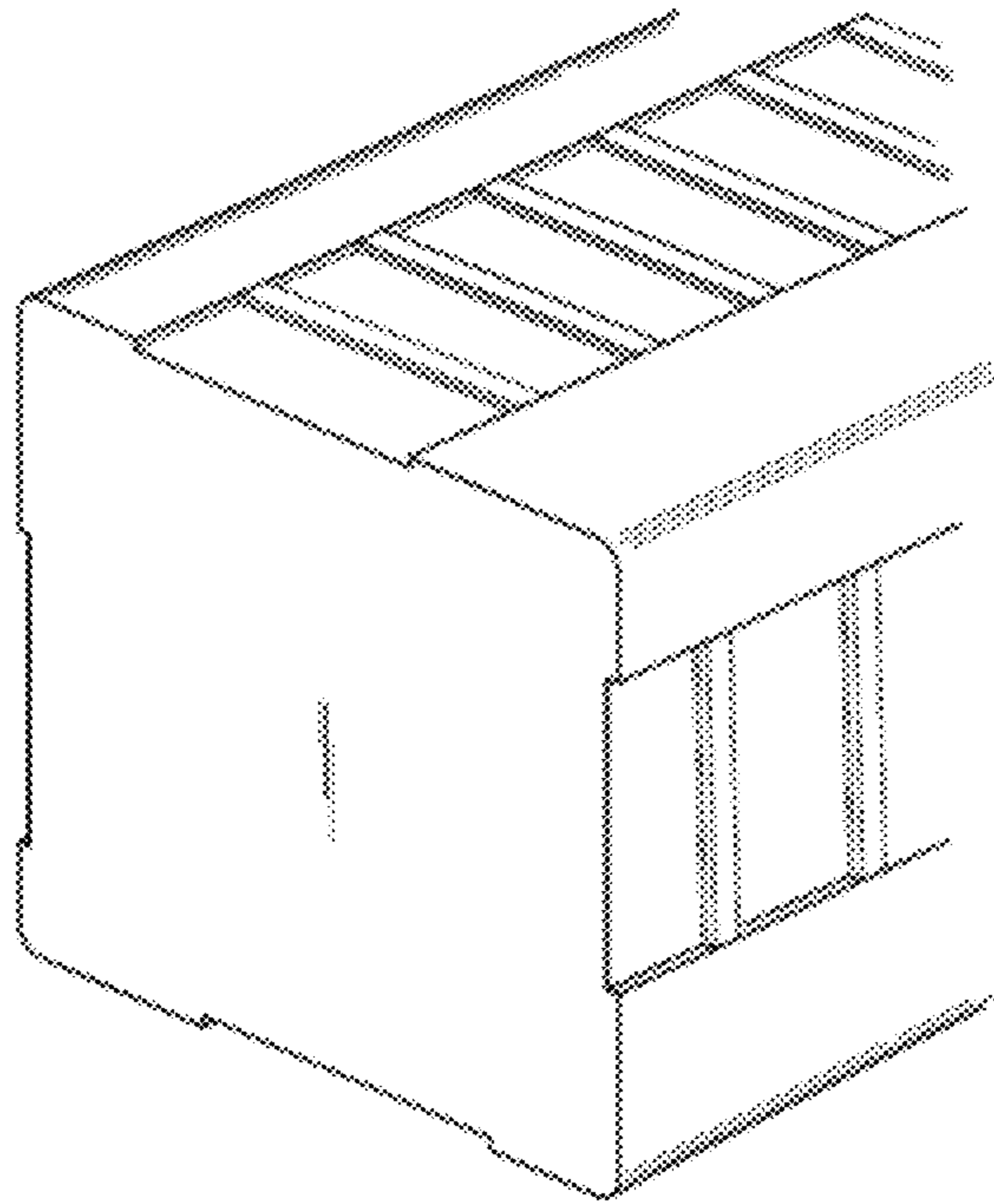
1 Claim, 4 Drawing Sheets



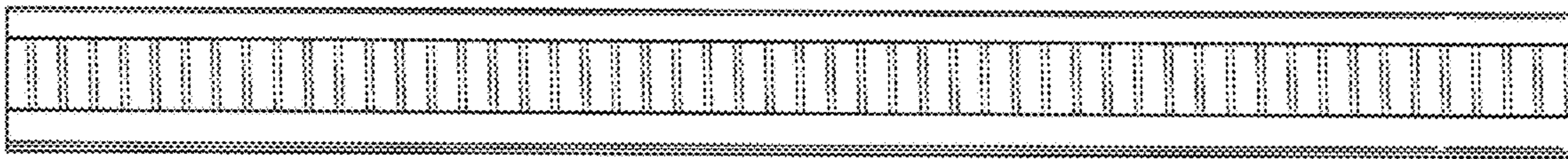
1.1



1.2



1.3



1.4

