



US00D828149S

(12) **United States Design Patent**
Yeon et al.

(10) **Patent No.:** **US D828,149 S**
(45) **Date of Patent:** **** Sep. 11, 2018**

(54) **BOLT**

(71) Applicants: **Hyundai Motor Company**, Seoul (KR); **Kia Motors Corporation**, Seoul (KR); **Sungwoo Hitech Co., Ltd.**, Busan (KR)

(72) Inventors: **Hong Soek Yeon**, Incheon (KR); **Mun Yong Lee**, Busan (KR); **Kisung Nam**, Busan (KR)

(73) Assignees: **Hyundai Motor Company**, Seoul (KR); **Kia Motors Corporation**, Seoul (KR); **Sungwoo Hitech Co., Ltd.**, Busan (KR)

(**) Term: **15 Years**

(21) Appl. No.: **29/597,212**

(22) Filed: **Mar. 15, 2017**

(30) **Foreign Application Priority Data**

Nov. 30, 2016 (KR) 30-2016-0057981

(51) **LOC (11) Cl.** **08-08**

(52) **U.S. Cl.**
USPC **D8/387**

(58) **Field of Classification Search**
USPC D8/349, 382, 385, 387, 388, 391, 393, D8/397, 399
CPC F16B 15/00; F16B 23/00; F16B 23/003; F16B 23/0061; F16B 23/0007; F16B 25/00; F16B 25/0036; F16B 25/103; F16B 25/0015; F16B 35/04; F16B 35/06; F16B 35/041; F16B 35/065; F16B 35/048; Y10S 411/919

See application file for complete search history.

(56) **References Cited**

U.S. PATENT DOCUMENTS

5,919,020	A *	7/1999	Walther	F16B 5/0275	411/368
6,152,666	A *	11/2000	Walther	F16B 25/0015	411/311
6,715,720	B2 *	4/2004	Finn	F16G 11/046	248/317
8,529,178	B2 *	9/2013	Dayton	E04B 1/24	411/386
D741,159	S *	10/2015	Campbell	D8/387	
9,702,392	B2 *	7/2017	Landsmann	F16B 23/003	
2003/0035684	A1 *	2/2003	Hutter, III	F16B 5/0208	403/267
2006/0251493	A1 *	11/2006	Buhl	F16B 25/0015	411/386
2007/0059122	A1 *	3/2007	Lin	F16B 5/0275	411/412
2011/0052345	A1 *	3/2011	Barker	F16B 35/065	411/393

(Continued)

Primary Examiner — Sandra S Snapp

Assistant Examiner — Ieisha N Price

(74) *Attorney, Agent, or Firm* — Mintz Levin Cohn Ferris Glovsky and Popeo, P.C.; Kongsik Kim

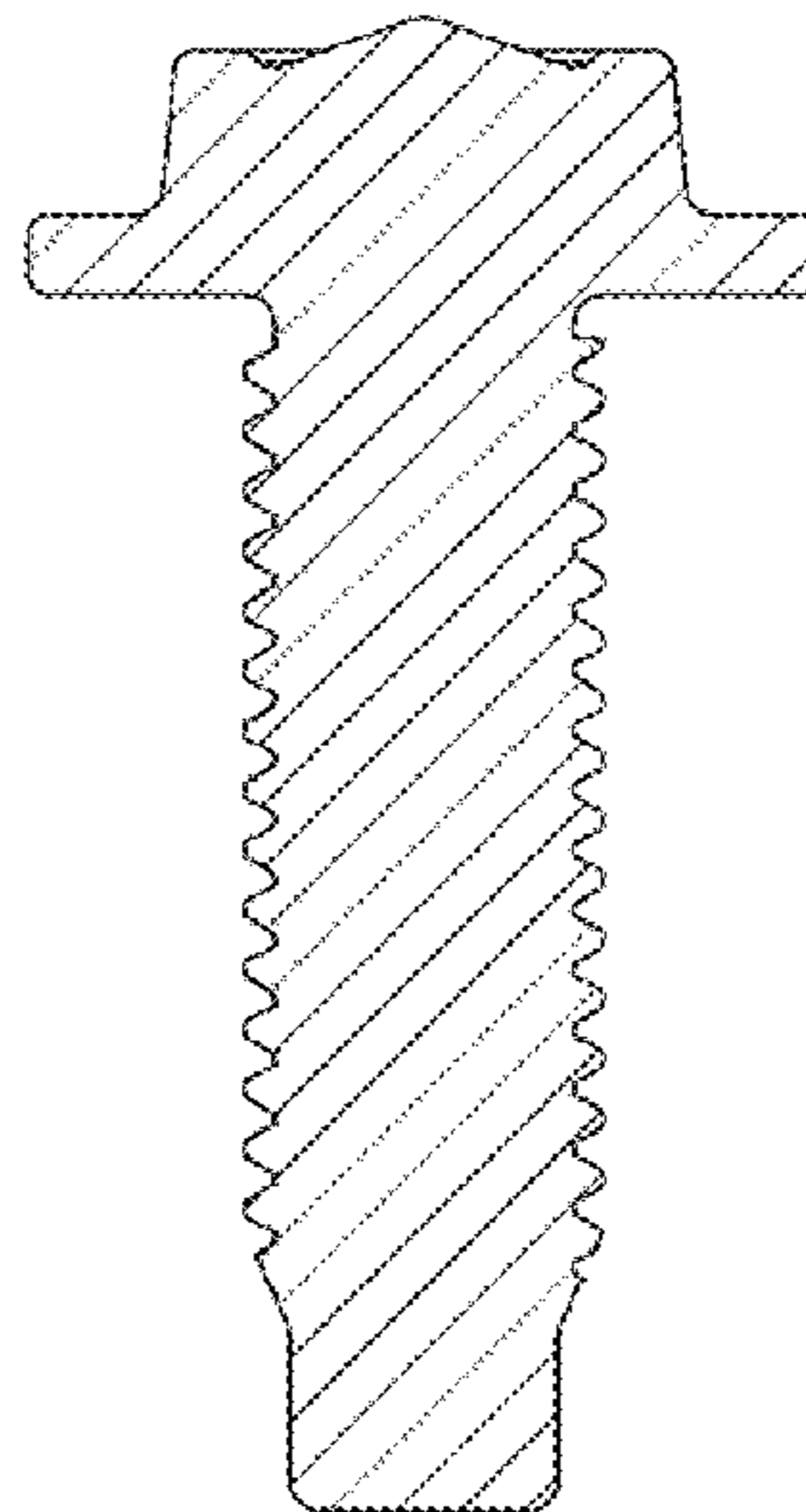
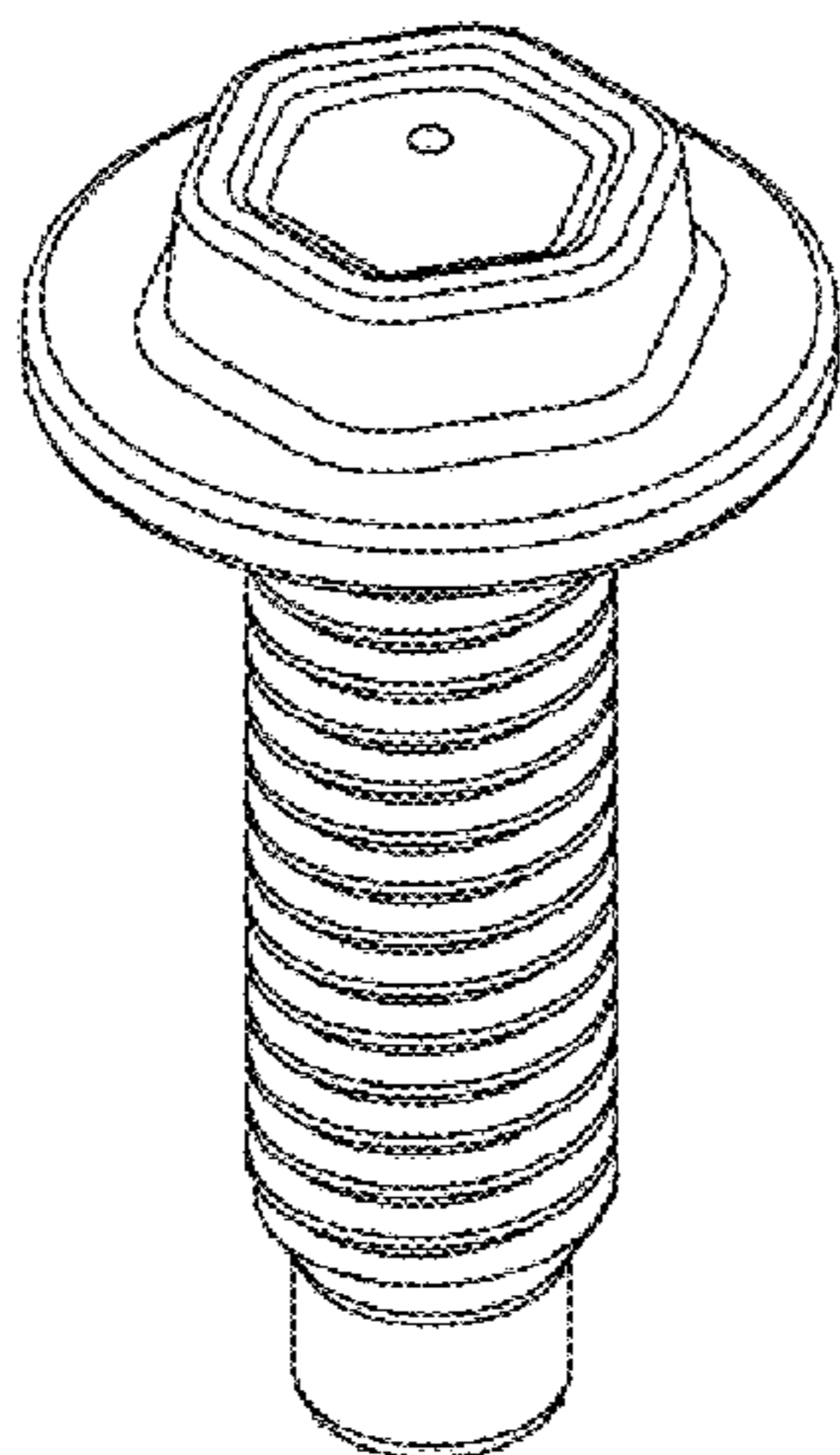
(57) **CLAIM**

The ornamental design for a bolt, as shown and described.

DESCRIPTION

FIG. 1 is a perspective view of a bolt according to the present invention.
FIG. 2 is a front elevational view of the bolt thereof.
FIG. 3 is a rear elevational view of the bolt thereof.
FIG. 4 is a left side view of the bolt thereof.
FIG. 5 is a right side view of the bolt thereof.
FIG. 6 is a top view of the bolt thereof.
FIG. 7 is a bottom view of the bolt thereof; and,
FIG. 8 is a cross-sectional view thereof, taken from line 8-8 of FIG. 6.

1 Claim, 8 Drawing Sheets



(56)

References Cited

U.S. PATENT DOCUMENTS

2011/0064540 A1* 3/2011 Walther F16B 35/065
411/399
2011/0211934 A1* 9/2011 Walther F16B 25/0015
411/387.1
2012/0003059 A1* 1/2012 Tamaki F16B 35/048
411/166
2013/0084144 A1* 4/2013 Walther F16B 25/0015
411/393
2014/0328646 A1* 11/2014 Muller F16B 25/0015
411/424
2014/0335345 A1* 11/2014 Ambros C21D 9/0093
428/223
2015/0198196 A1* 7/2015 Horiuchi F16B 25/0021
411/412
2016/0115988 A1* 4/2016 Landsmann F16B 23/003
411/403
2016/0316846 A1* 11/2016 Salvetti A42B 3/125

* cited by examiner

FIG. 1

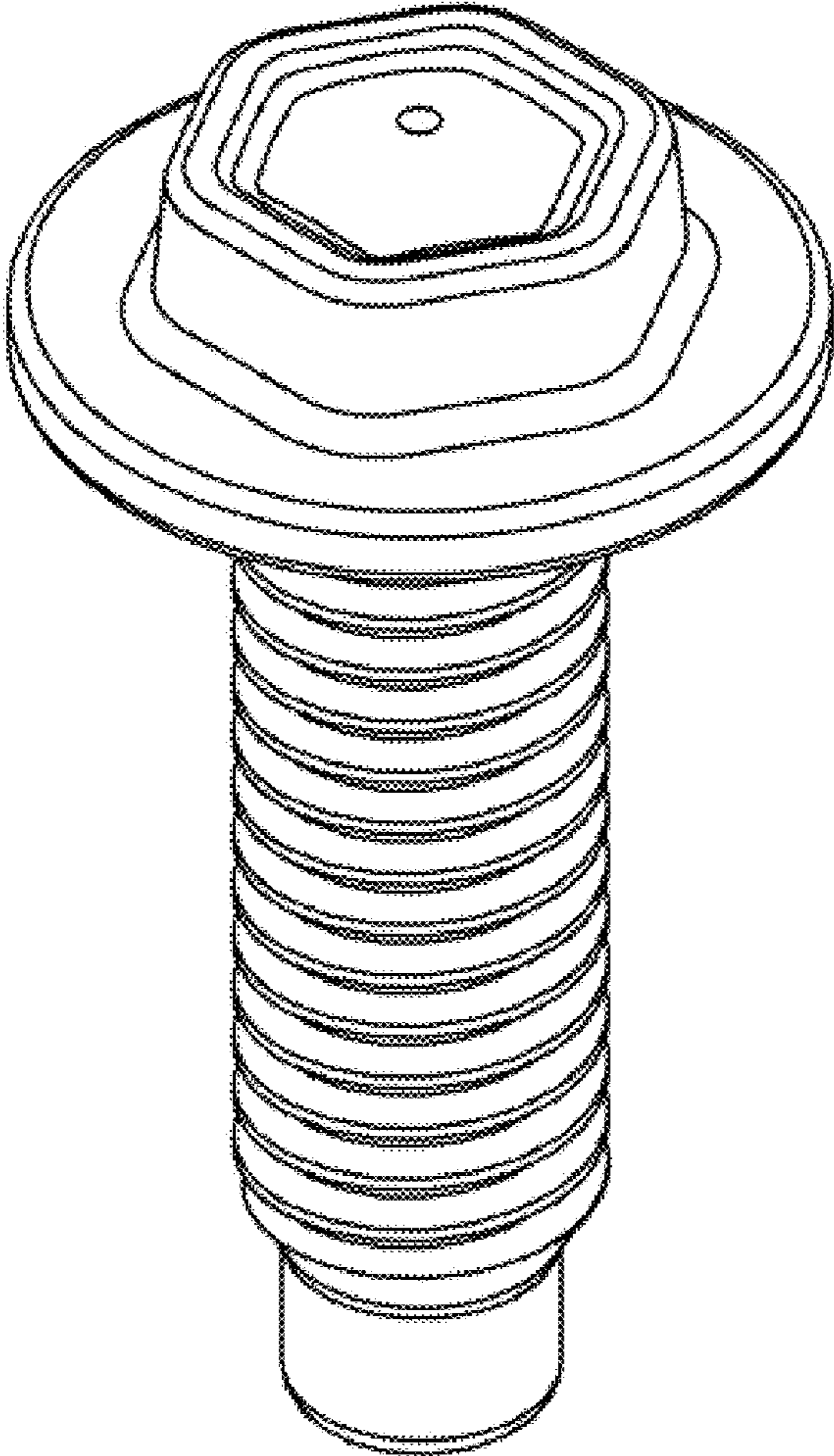


FIG. 2

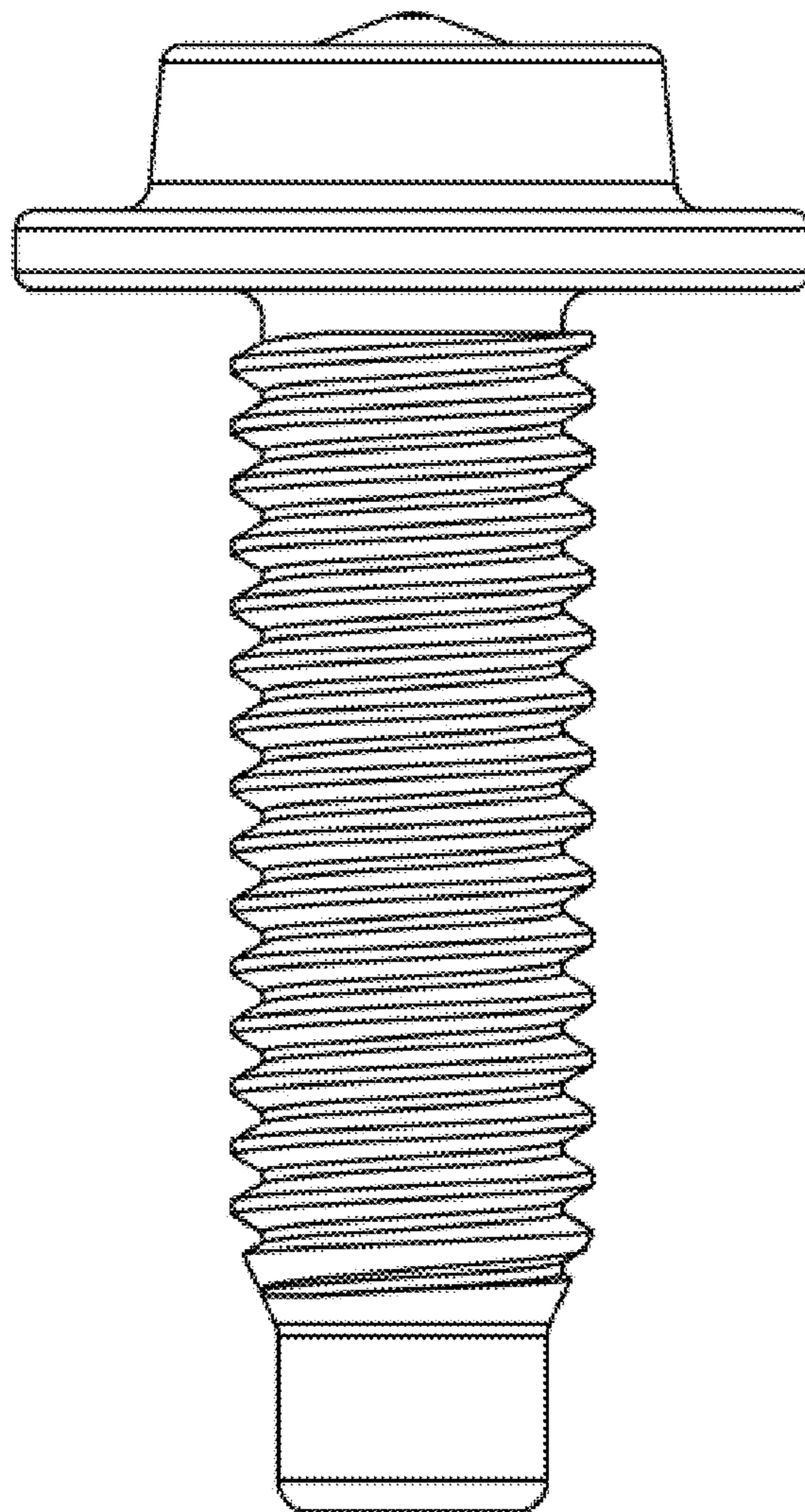


FIG. 3

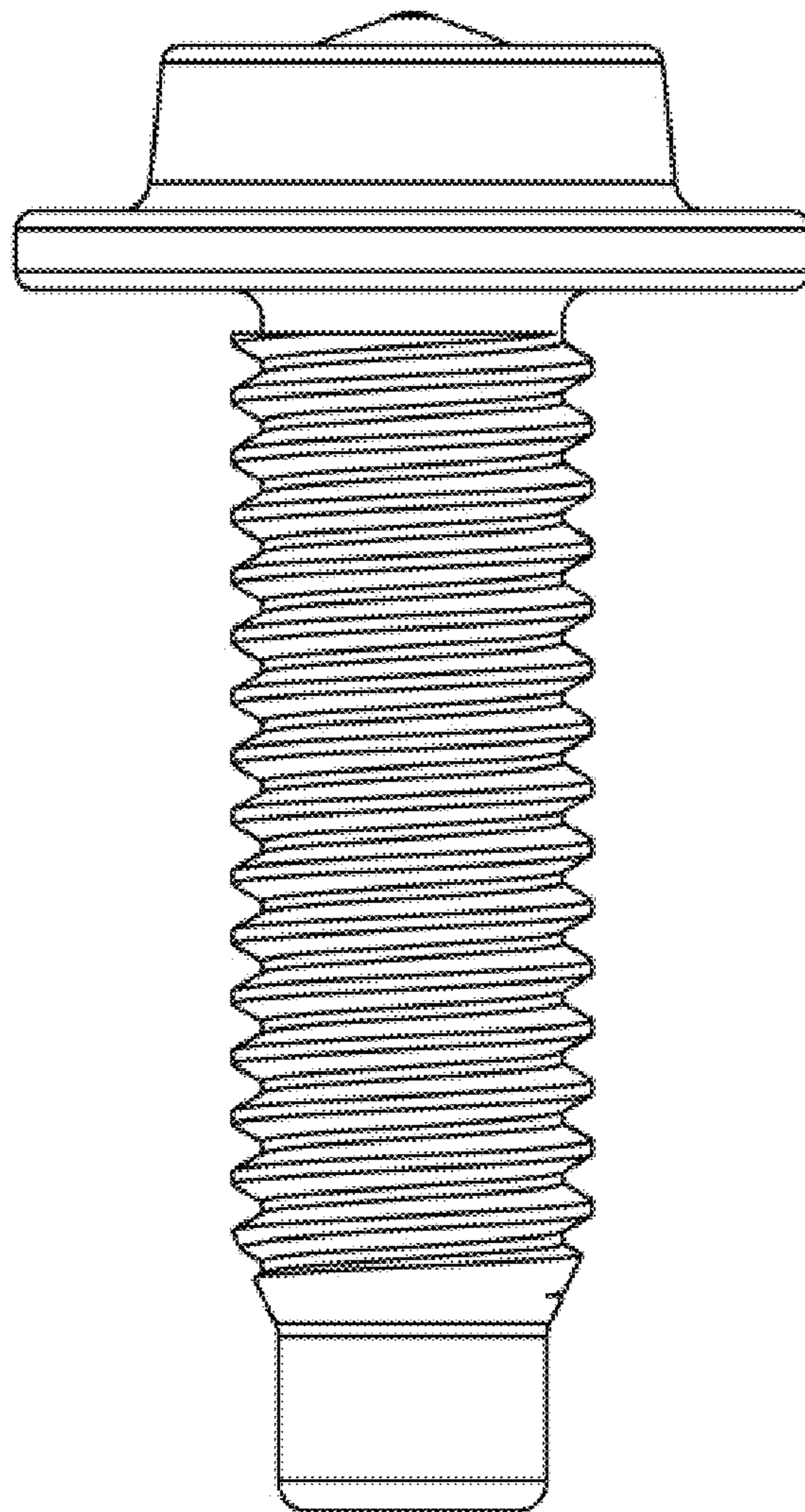


FIG. 4

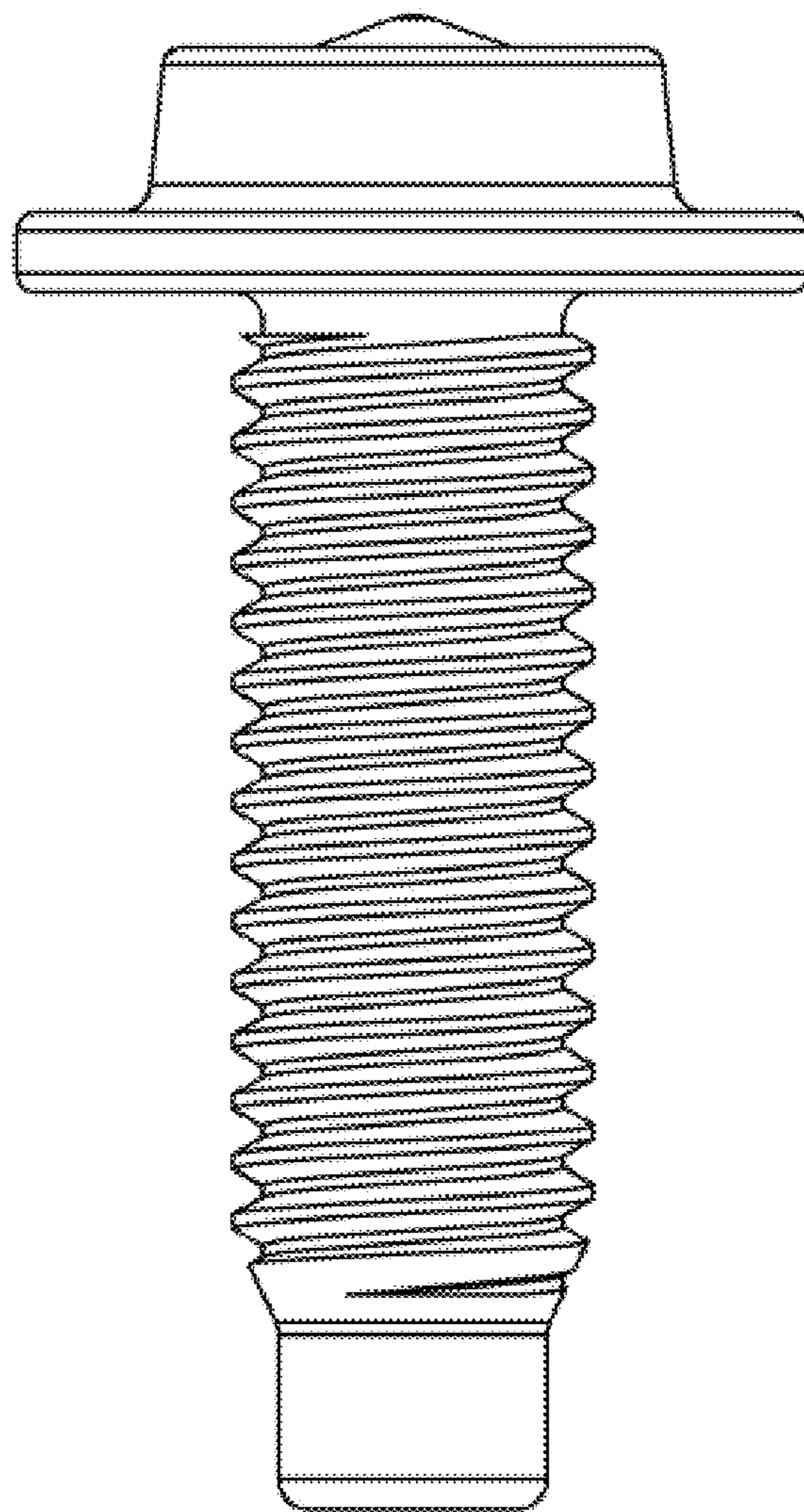


FIG. 5

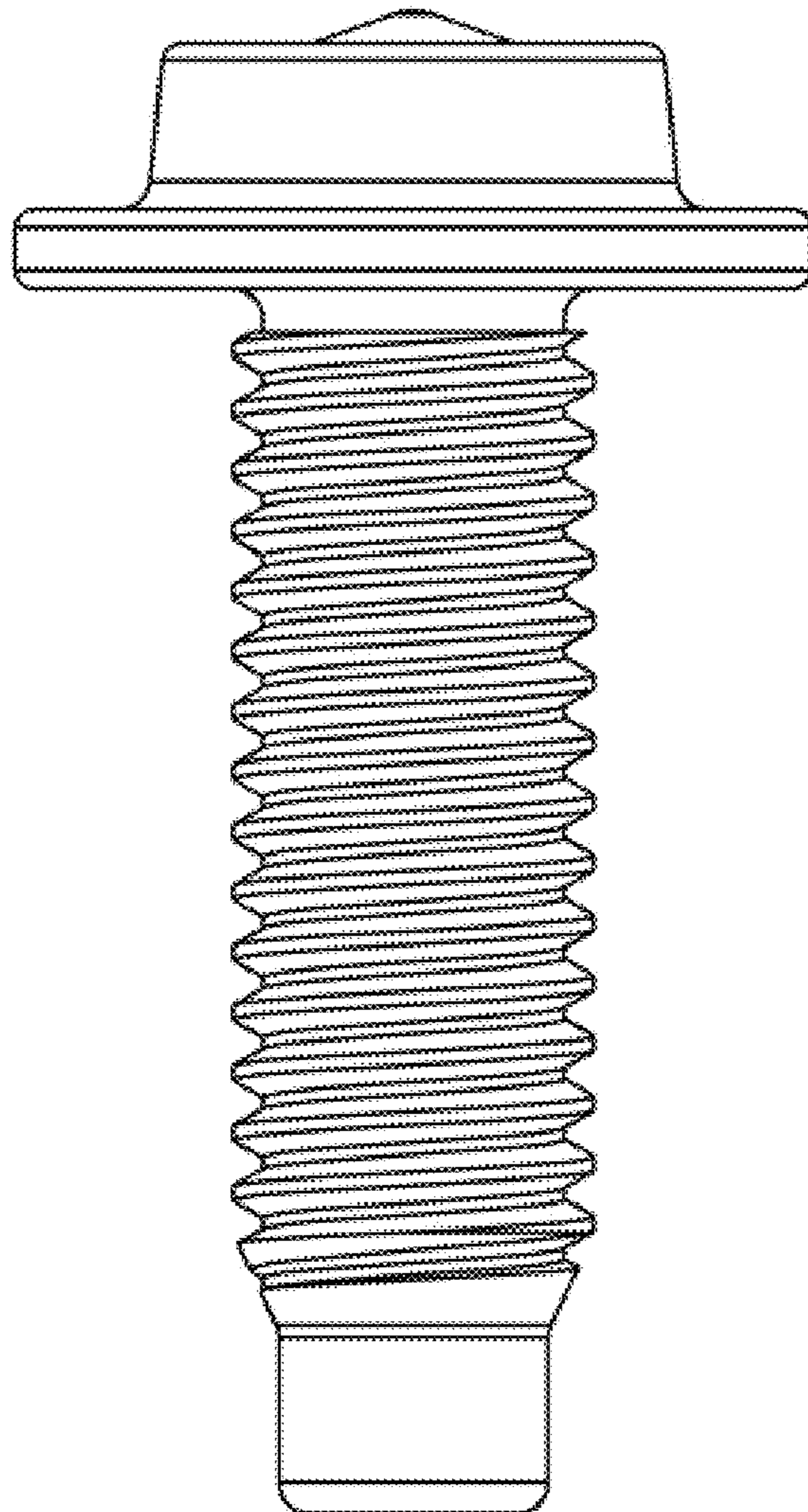


FIG. 6

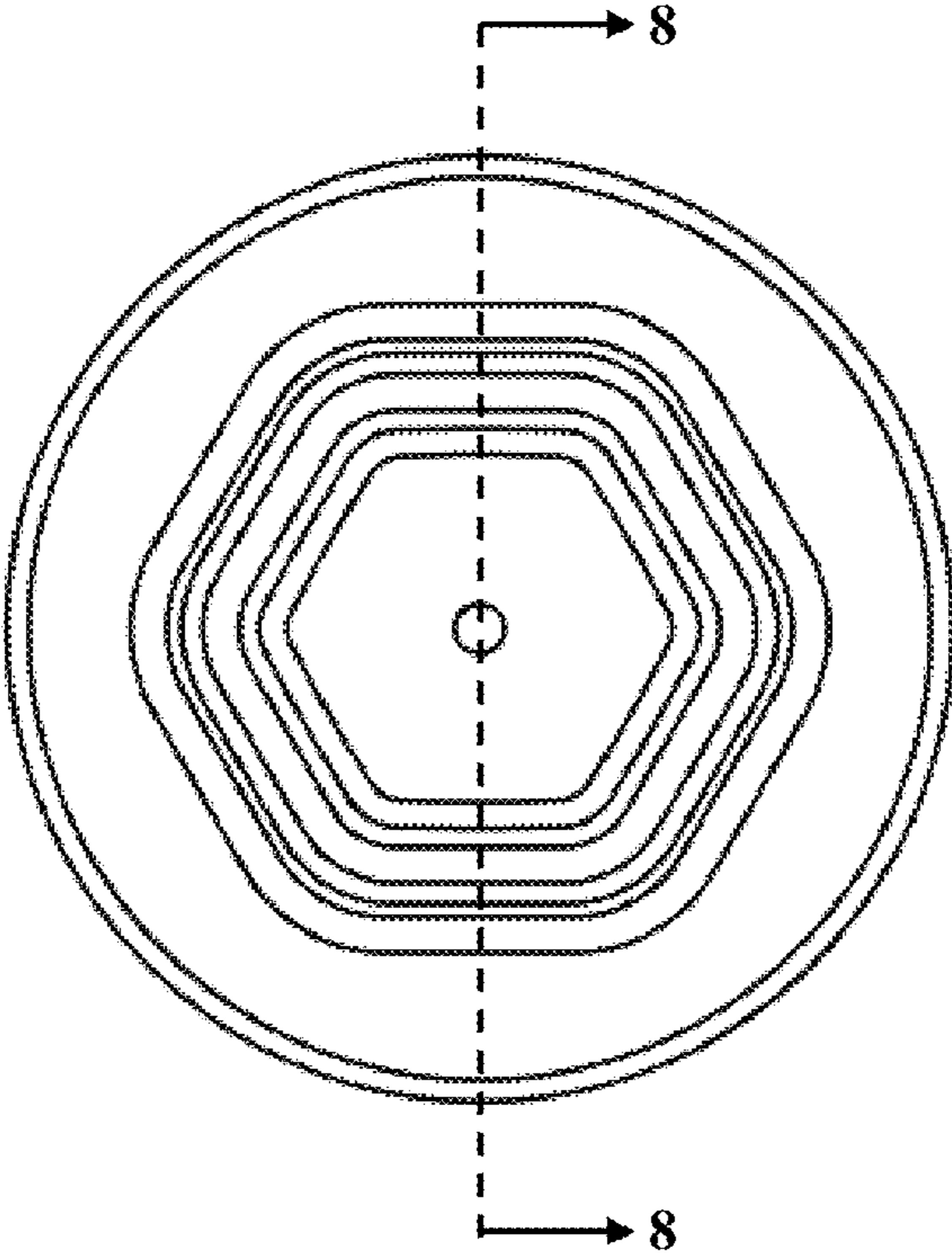


FIG. 7

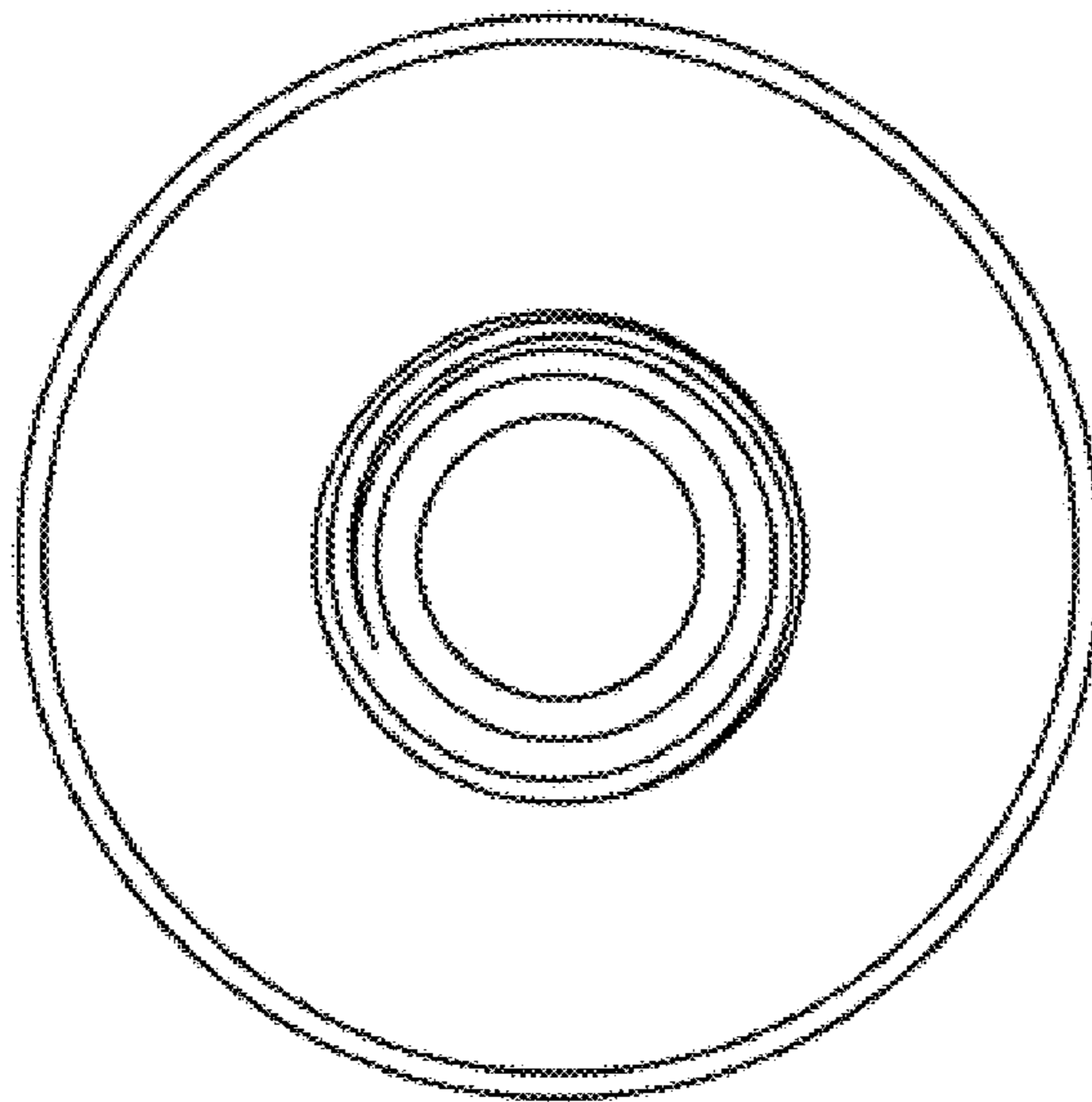


FIG. 8

