



US00D828148S

(12) **United States Design Patent** (10) **Patent No.:** **US D828,148 S**
Camilleri et al. (45) **Date of Patent:** **** Sep. 11, 2018**

(54) **SCREW FASTENER** 5,919,020 A * 7/1999 Walther F16B 5/0275
411/368
(71) Applicant: **ILLINOIS TOOL WORKS INC.,** 6,152,666 A * 11/2000 Walther F16B 25/0015
Glenview, IL (US) 411/311
6,715,720 B2 * 4/2004 Finn F16G 11/046
248/317
(72) Inventors: **Mark Anthony Camilleri, Oatley** 6,789,989 B2 9/2004 Walther
(AU); Bryan Hugh Marshall, 6,926,484 B2 8/2005 Kram et al.
Turrumurra (AU) 7,883,307 B2 2/2011 Pippard et al.
8,192,123 B2 6/2012 Ernst et al.
(73) Assignee: **Illinois Tool Works Inc.,** Glenview, IL 2006/0251493 A1 * 11/2006 Buhl F16B 25/0015
(US) 411/386
2009/0269164 A1 10/2009 Gonciarz et al.
2010/0158634 A1 6/2010 Walther
2010/0172718 A1 7/2010 Gong et al.
2011/0006454 A1 1/2011 Kawashiri
2011/0064540 A1 * 3/2011 Walther F16B 35/065
411/399

(**) Term: **15 Years**

(21) Appl. No.: **29/594,366**

(22) Filed: **Feb. 17, 2017**

(30) **Foreign Application Priority Data**

Aug. 31, 2016 (AU) 201614802

(51) **LOC (11) Cl.** **08-08**

(52) **U.S. Cl.**
USPC **D8/387**

(58) **Field of Classification Search**
USPC D8/349, 382, 385, 387, 388, 391, 393,
D8/397, 399

CPC F16B 15/00; F16B 23/00; F16B 23/003;
F16B 23/0061; F16B 23/0007; F16B
25/00; F16B 25/0036; F16B 25/103;
F16B 25/0015; F16B 35/04; F16B 35/06;
F16B 35/041; F16B 35/065; F16B
35/048; Y10S 411/919

See application file for complete search history.

(56) **References Cited**

U.S. PATENT DOCUMENTS

5,100,274 A 3/1992 Hasan et al.
5,413,444 A 5/1995 Thomas et al.

(Continued)

Primary Examiner — Sandra S Snapp

Assistant Examiner — Ieisha N Price

(74) *Attorney, Agent, or Firm* — Neal, Gerber & Eisenberg LLP

(57) **CLAIM**

The ornamental design for a screw fastener, as shown and described.

DESCRIPTION

FIG. 1 is a top perspective view of a screw fastener of our new design.

FIG. 2 is a bottom perspective view of the screw fastener of FIG. 1.

FIG. 3 is a front view of the screw fastener of FIG. 1.

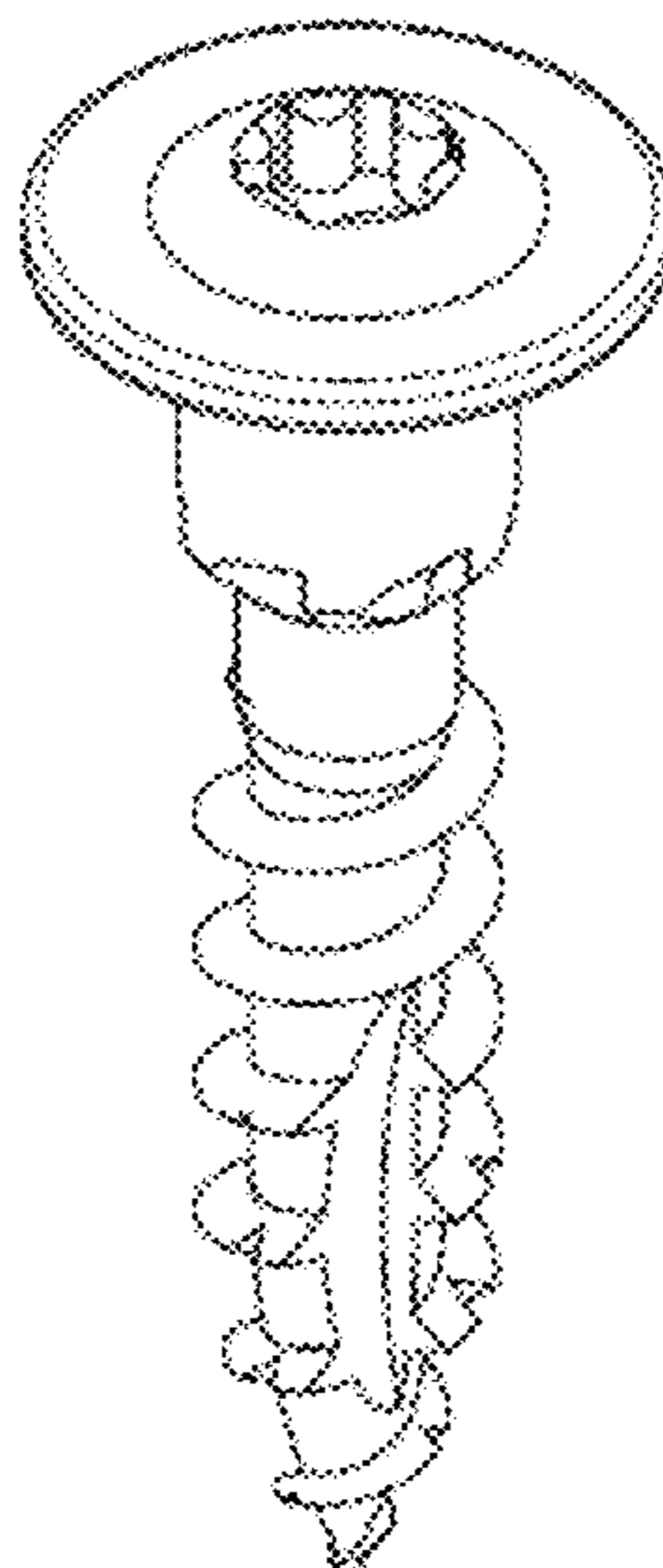
FIG. 4 is a left side view of the screw fastener of FIG. 1.

FIG. 5 is a right side view of the screw fastener of FIG. 1.

FIG. 6 is a top plan view of the screw fastener of FIG. 1; and,

FIG. 7 is an enlarged bottom plan view of the screw fastener of FIG. 1.

1 Claim, 4 Drawing Sheets



(56)

References Cited

U.S. PATENT DOCUMENTS

2011/0211934 A1* 9/2011 Walther F16B 25/0015
411/387.1
2012/0003059 A1* 1/2012 Tamaki F16B 35/048
411/166
2012/0266560 A1 10/2012 Panasik et al.
2013/0084144 A1* 4/2013 Walther F16B 25/0015
411/393
2014/0328646 A1* 11/2014 Muller F16B 25/0015
411/424
2016/0290382 A1 10/2016 Dill
2016/0316846 A1* 11/2016 Salvetti A42B 3/125

* cited by examiner

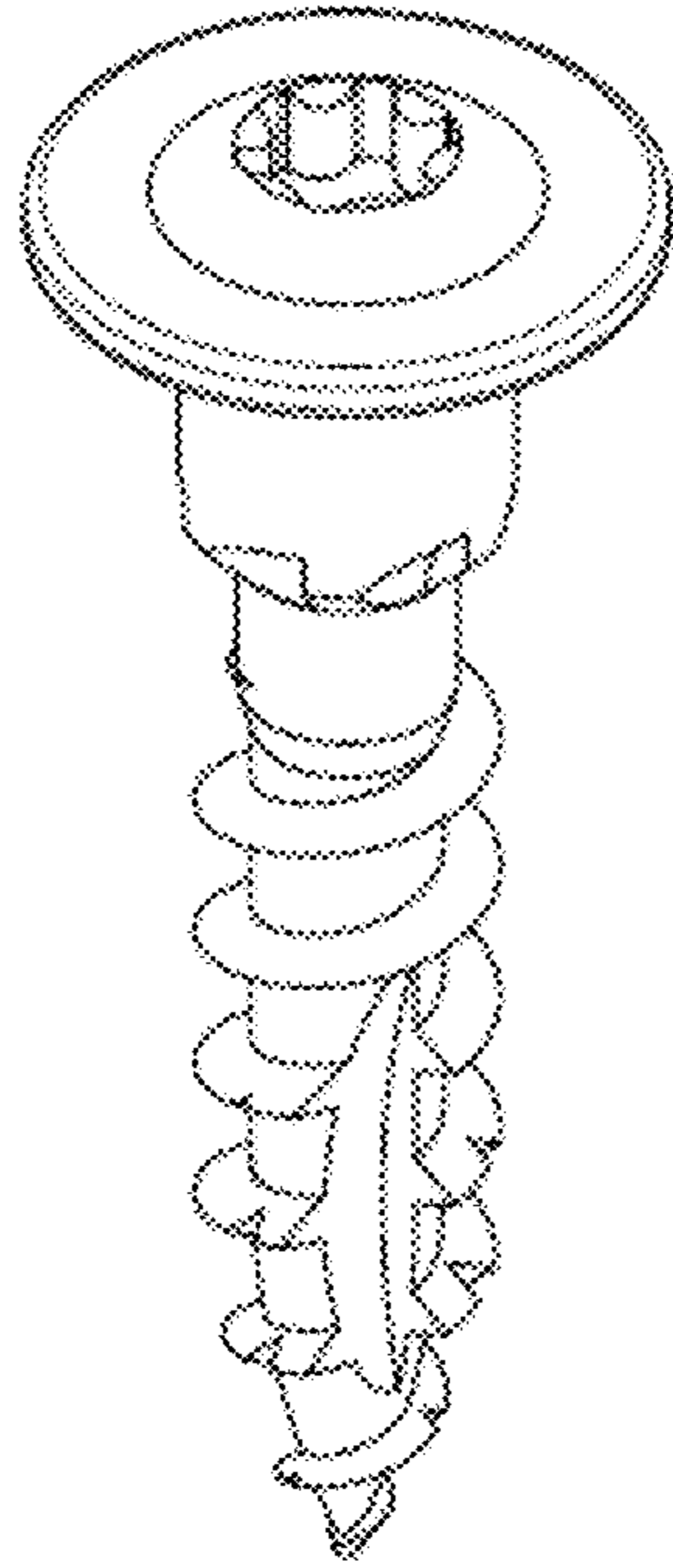


FIGURE 1

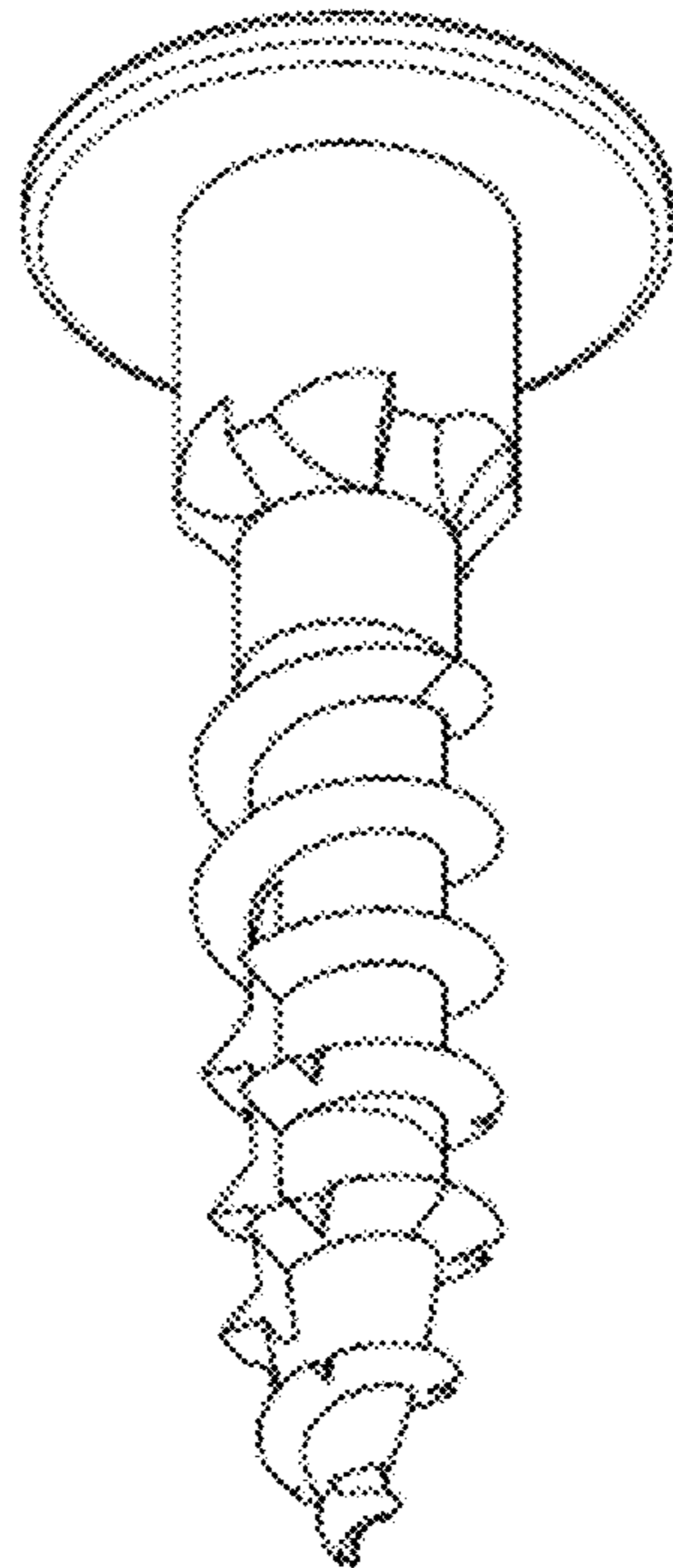


FIGURE 2

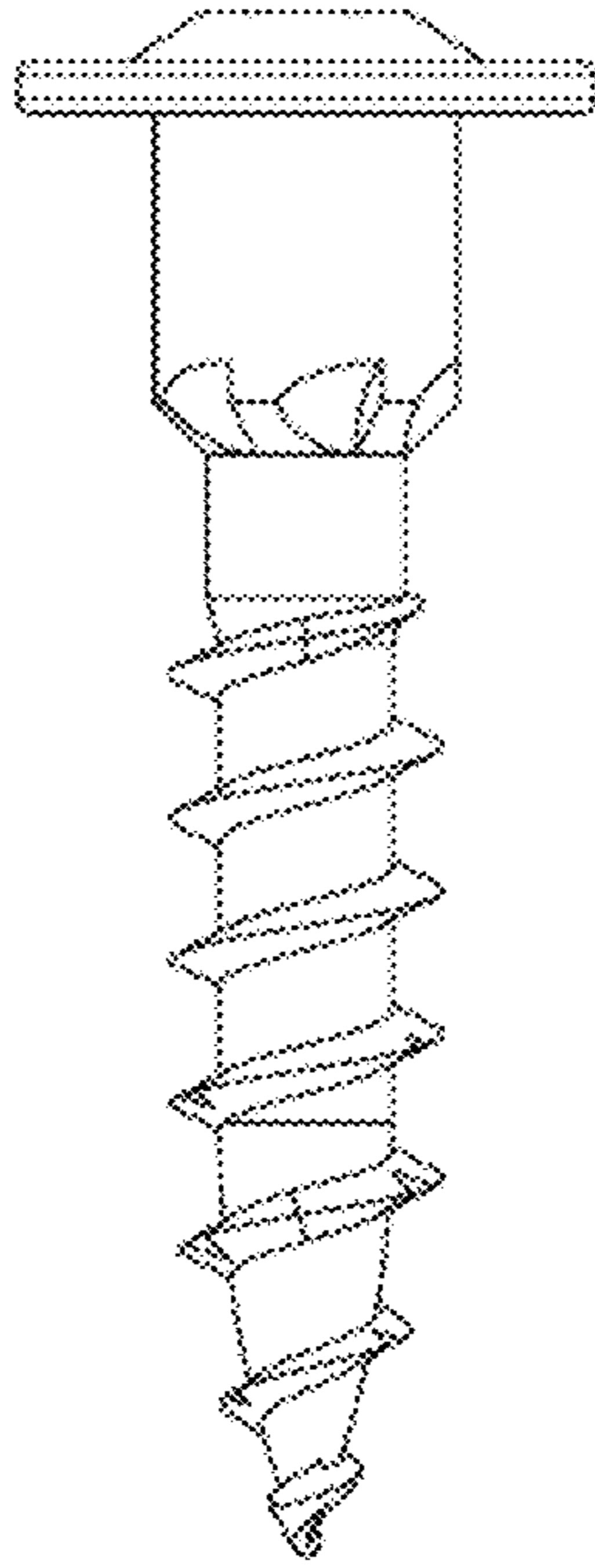


FIGURE 3

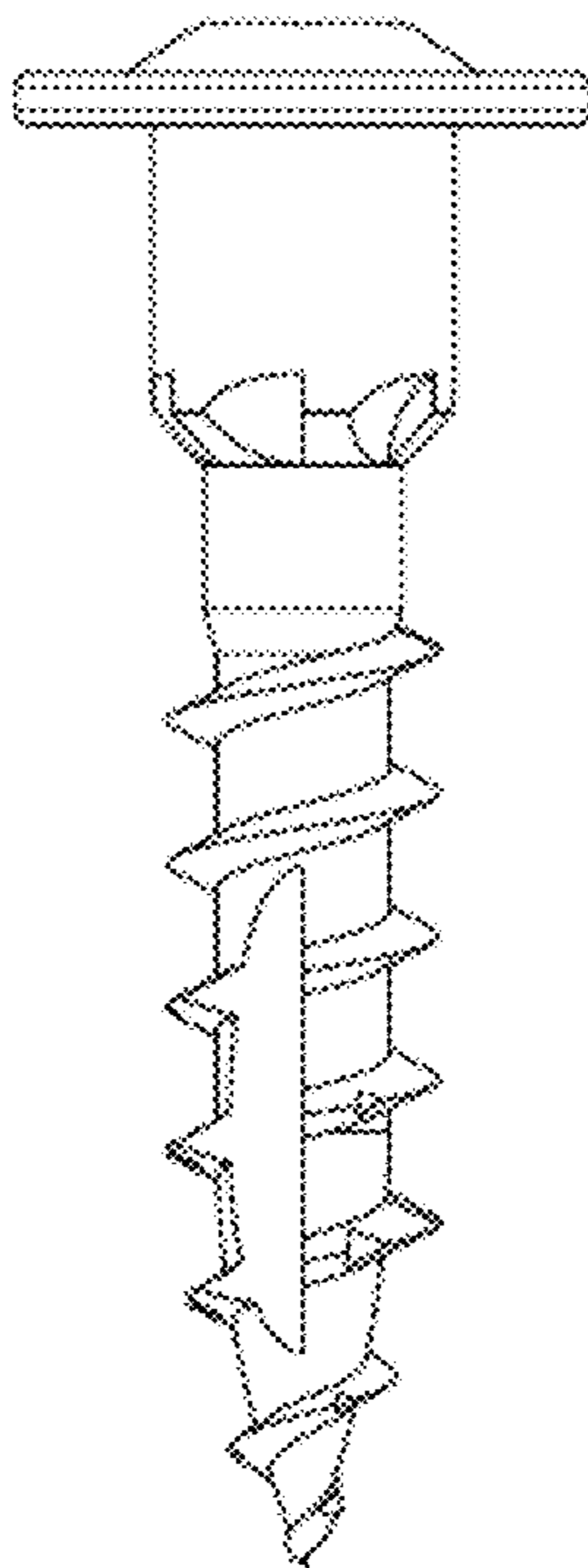


FIGURE 4

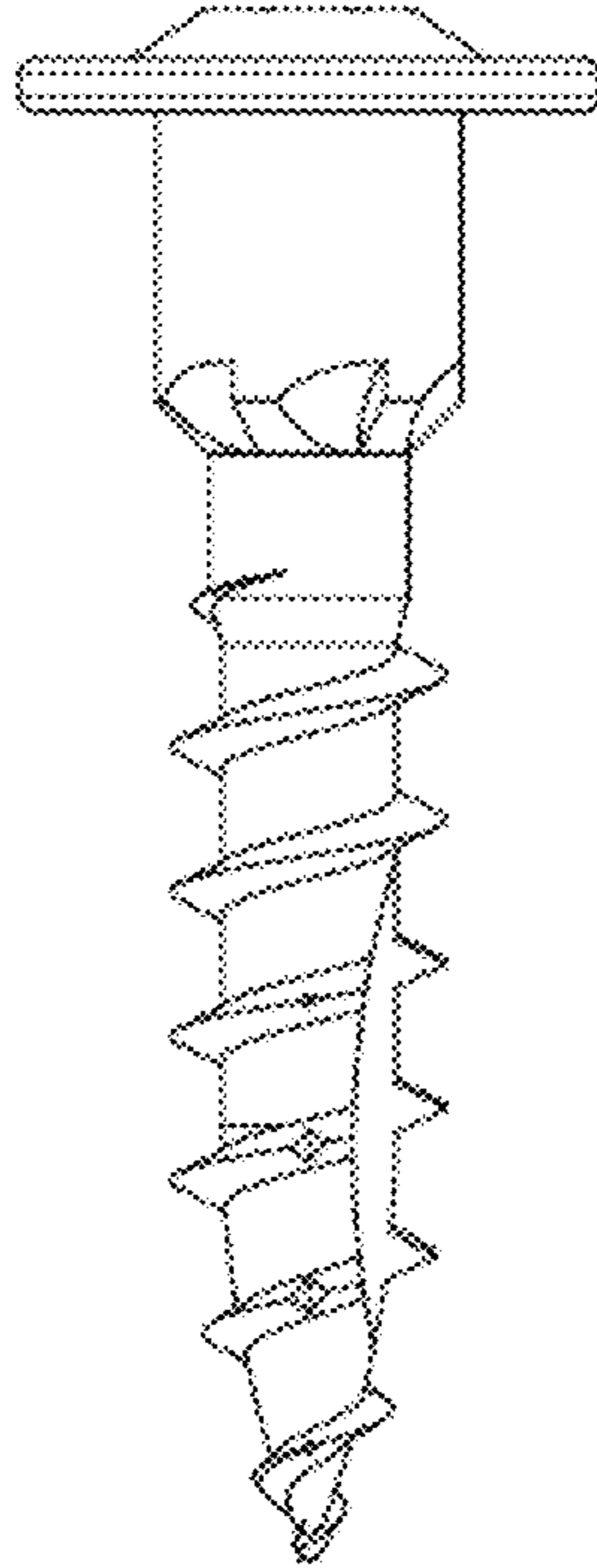


FIGURE 5

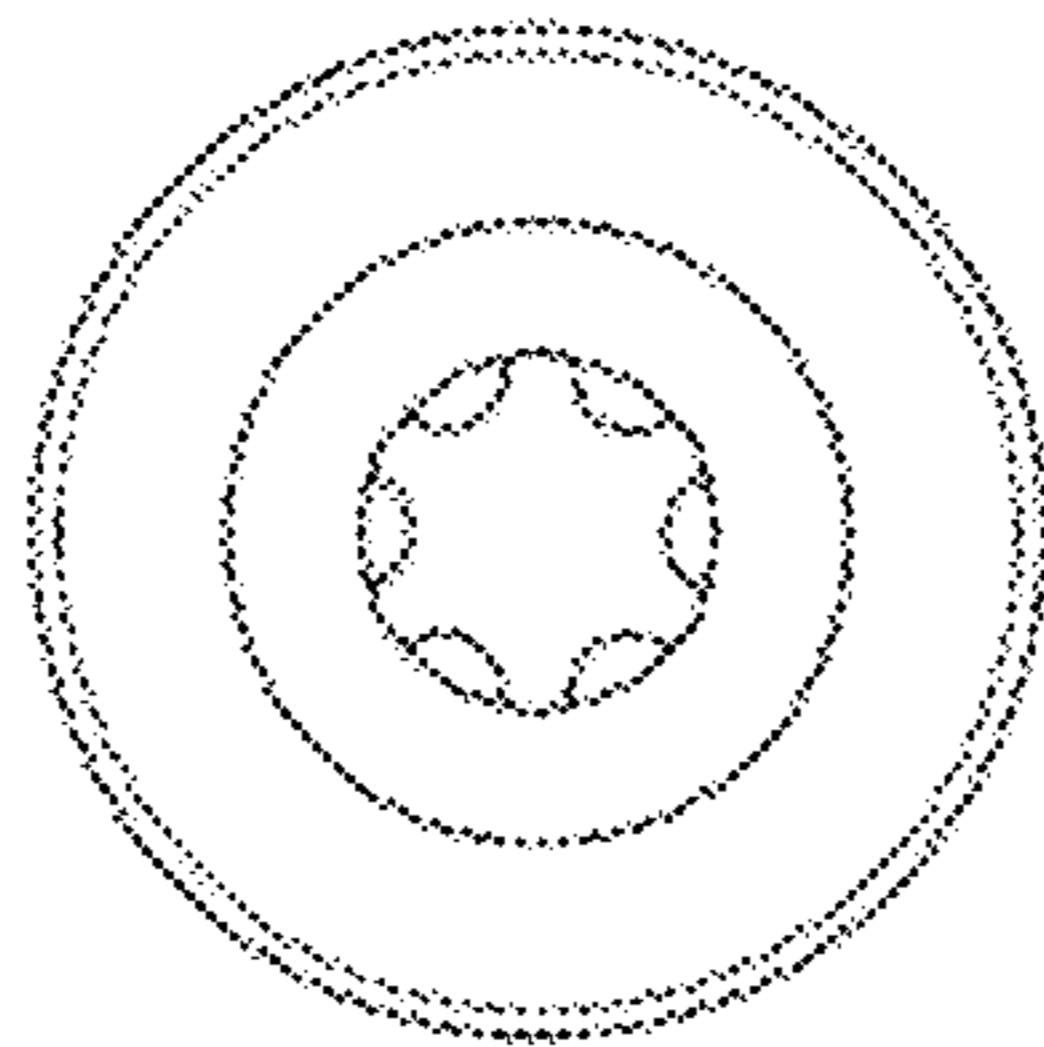


FIGURE 6

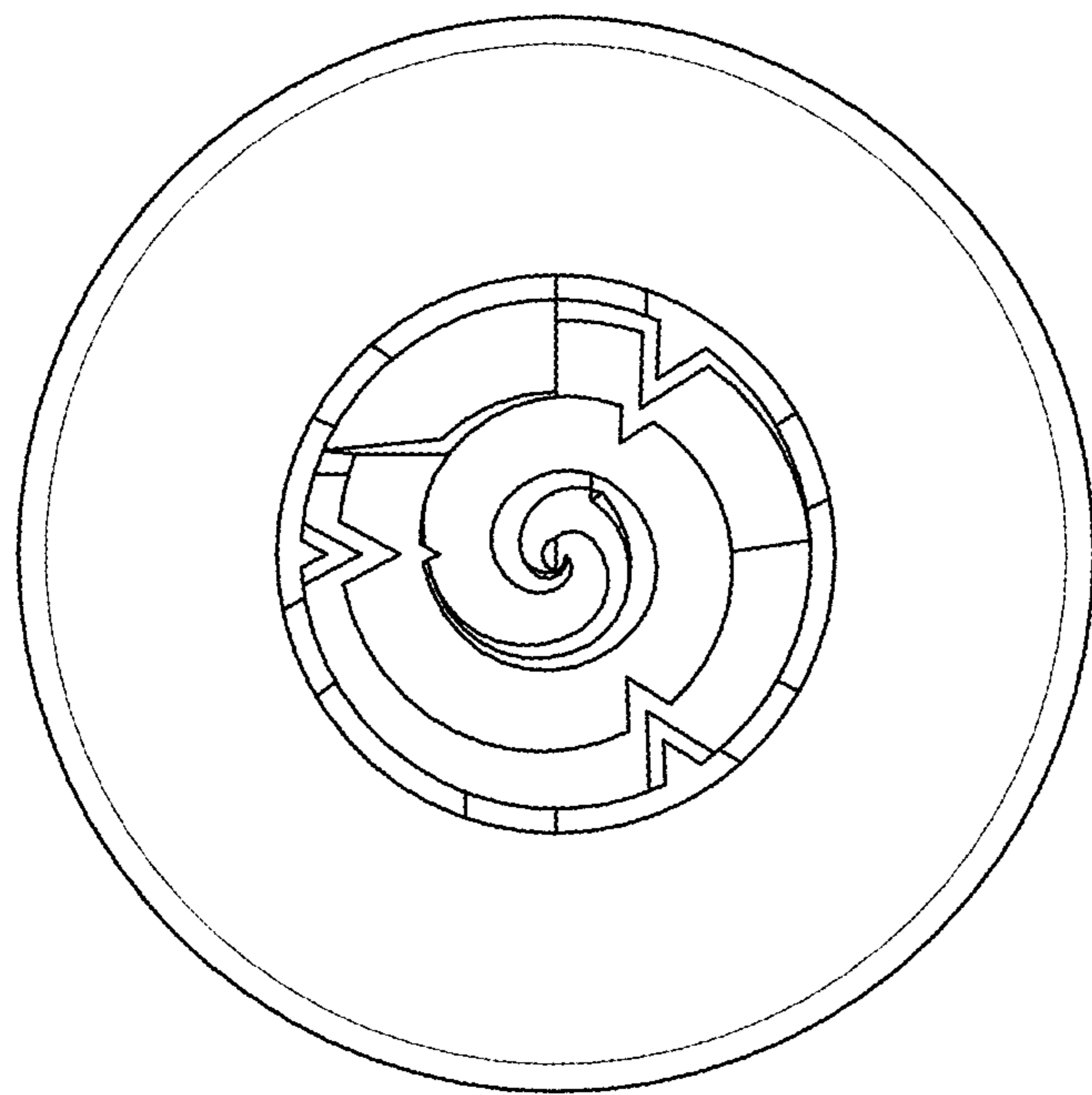


FIGURE 7