



US00D828144S

(12) **United States Design Patent**
Rodack

(10) **Patent No.:** **US D828,144 S**

(45) **Date of Patent:** **** Sep. 11, 2018**

(54) **FURNITURE RISER**

(71) Applicant: **M.S.R. Imports, Inc.**, Pennsauken, NJ
(US)

(72) Inventor: **Michael D. Rodack**, Pennsauken, NJ
(US)

(73) Assignee: **M.S.R. Imports, Inc.**, Pennsauken, NJ
(US)

(**) Term: **15 Years**

(21) Appl. No.: **29/560,193**

(22) Filed: **Apr. 4, 2016**

(51) **LOC (11) Cl.** **08-05**

(52) **U.S. Cl.**
USPC **D8/374**

(58) **Field of Classification Search**
USPC D8/373, 374, 375, 354; D6/641, 671,
D6/675, 685, 687, 690, 691, 691.1, 691.2,
D6/691.3; 248/188.2, 188.9, 346.04,
248/346.05, 346.5, 346.11; 5/658, 663
CPC A47B 7/00; A47B 13/08; A47B 91/00;
A47B 91/005; A47B 91/04; A47B 91/12
See application file for complete search history.

(56) **References Cited**

U.S. PATENT DOCUMENTS

D401,844 S	*	12/1998	Klippert, Jr.	D8/375
D502,913 S	*	3/2005	Fukami	D13/108
D556,551 S	*	12/2007	Lucht	D8/375
D571,257 S	*	6/2008	Biddings	D12/42
D584,826 S	*	1/2009	Ng	D24/213
D587,628 S	*	3/2009	Biddings	D12/42
D647,525 S	*	10/2011	Seto	D14/434
D660,431 S	*	5/2012	Holley	D24/147
D661,309 S	*	6/2012	Murrer	D14/447
D702,523 S	*	4/2014	Ingram	D8/71
D725,407 S	*	3/2015	McCracken	D6/601

(Continued)

OTHER PUBLICATIONS

Raise Its, Stackable; Creates Space, <http://www.sportys.com/toolshop/raise-its.html>, earlier than Jan. 1, 2014.

(Continued)

Primary Examiner — Ian Simmons

Assistant Examiner — Yolanda Robinson

(74) *Attorney, Agent, or Firm* — Caesar Rivise, PC

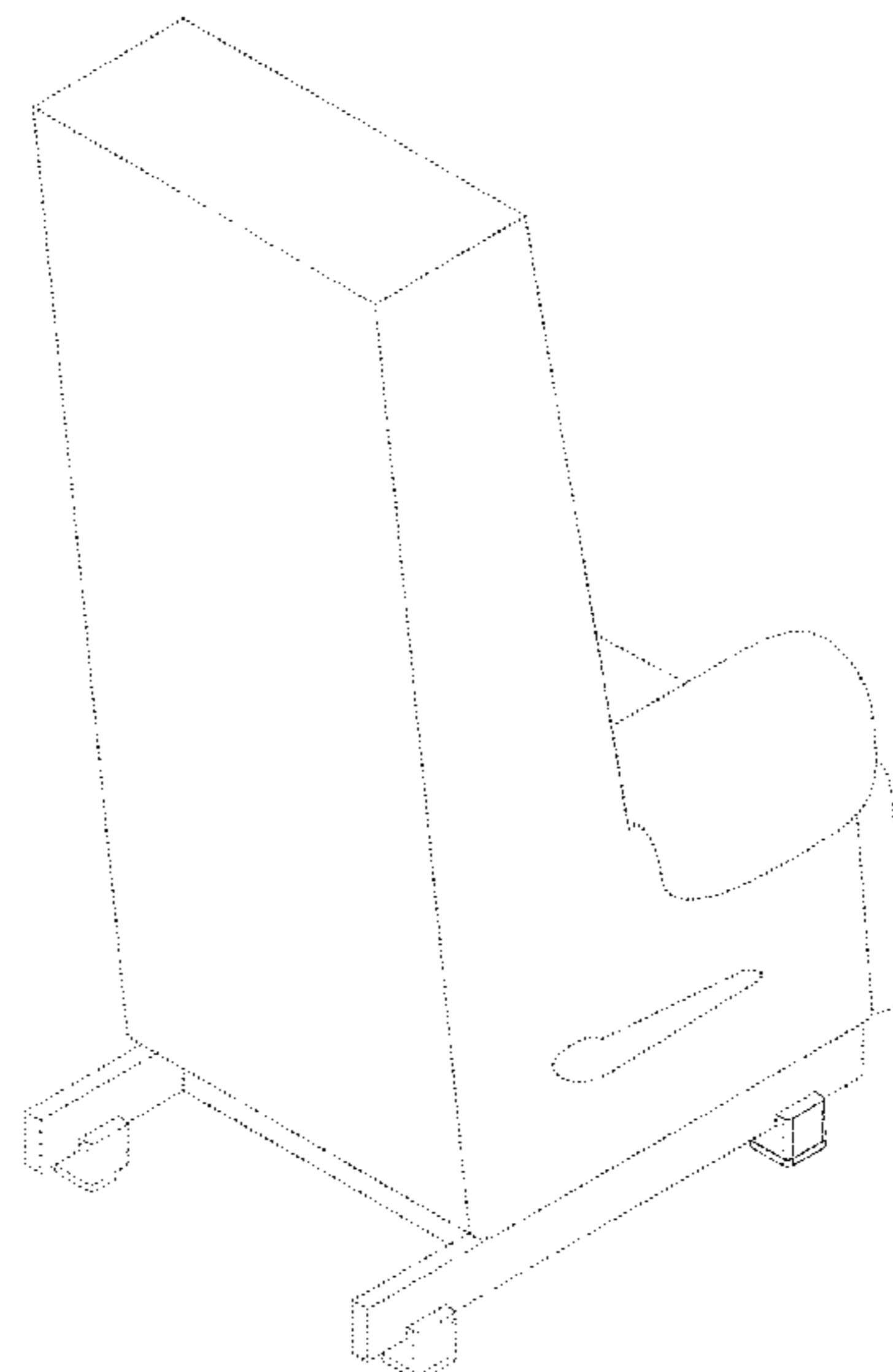
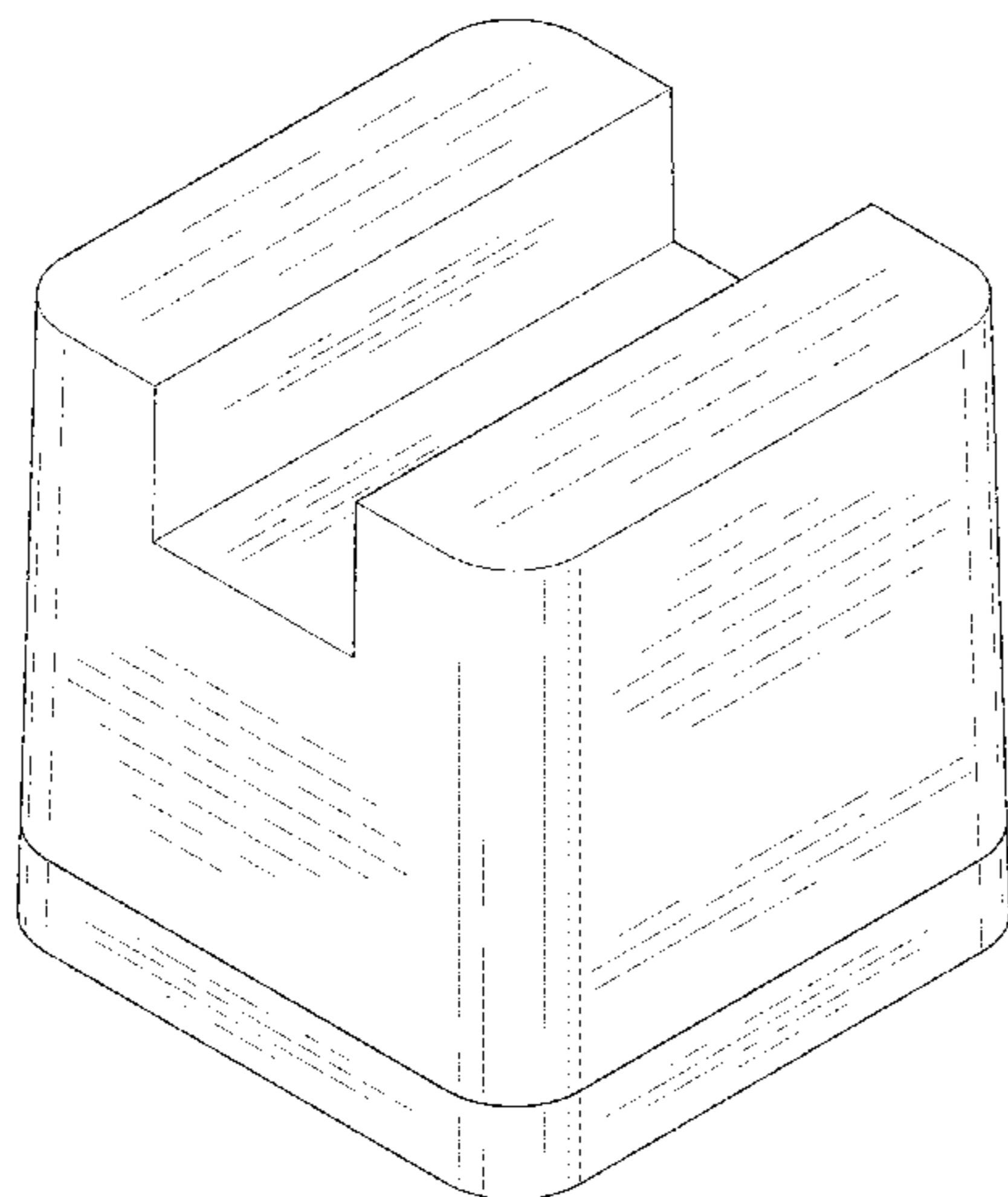
(57) **CLAIM**

The ornamental design for a furniture riser, as shown and described.

DESCRIPTION

FIG. 1 is a top, isometric view of a furniture riser showing our new design;
 FIG. 2 is a bottom, isometric view of the furniture riser of FIG. 1;
 FIG. 3 is a front, elevation view of the furniture riser of FIG. 1, the rear, elevation view being identical thereto;
 FIG. 4 is a right side elevation view of the furniture riser of FIG. 1, the left side elevation view being identical thereto;
 FIG. 5 is a top plan view of the furniture riser of FIG. 1;
 FIG. 6 is a bottom plan view of the furniture riser of FIG. 1;
 FIG. 7 is an isometric view of a furniture riser thereof, shown in a typical configuration; and,
 FIG. 8 is another isometric view of a furniture riser thereof, shown in an alternate typical configuration.
 The dot dot broken lines showing the second and third furniture risers and chair are included for the purposes of illustrating an environment and form no part of the claimed design.
 Dash dot dot dash broken lines shown in FIGS. 2 and 6 on the surface of the furniture riser show portions of the design that form no part of the claimed design.

1 Claim, 8 Drawing Sheets



(56)

References Cited

U.S. PATENT DOCUMENTS

D726,187 S *	4/2015	Young	D14/434
D749,209 S *	2/2016	Uhlenkamp	D24/128
D756,211 S *	5/2016	Downs	D8/395
D758,175 S *	6/2016	Symons	D8/383
D758,836 S *	6/2016	Symons	D8/383
D758,838 S *	6/2016	Symons	D8/383
D763,068 S *	8/2016	Symons	D8/383
D779,493 S *	2/2017	Eliyahu	D14/217
D807,274 S *	1/2018	DeGiule	D12/400
2012/0188687 A1 *	7/2012	Yamamoto	H01R 31/06 361/679.01

OTHER PUBLICATIONS

Recliner Risers—Set of 4, <https://www.easycomforts.com/buy-recliner-risers-set-of-4-331310>, earlier than Jan. 1, 2014.

* cited by examiner

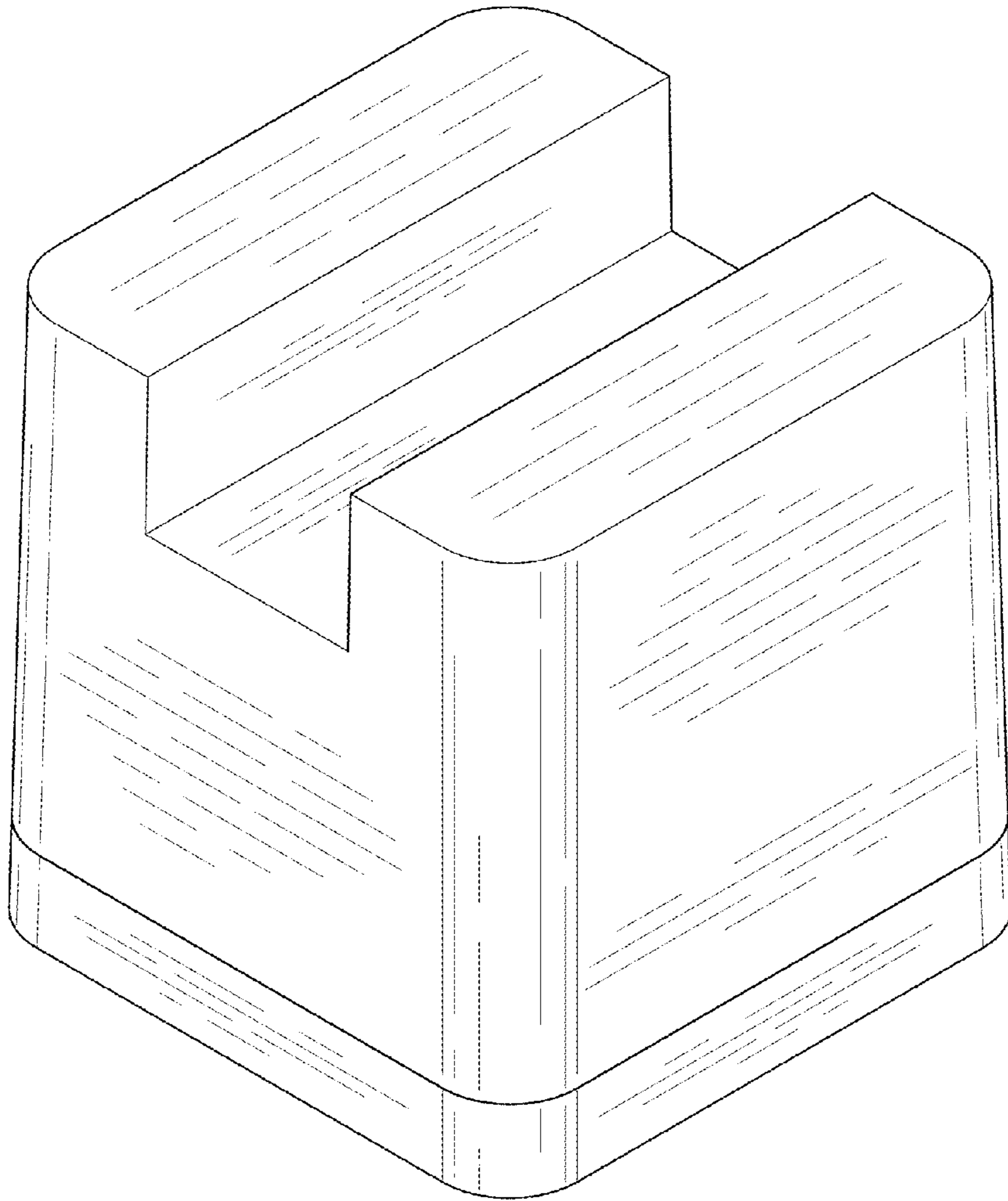


FIG. 1

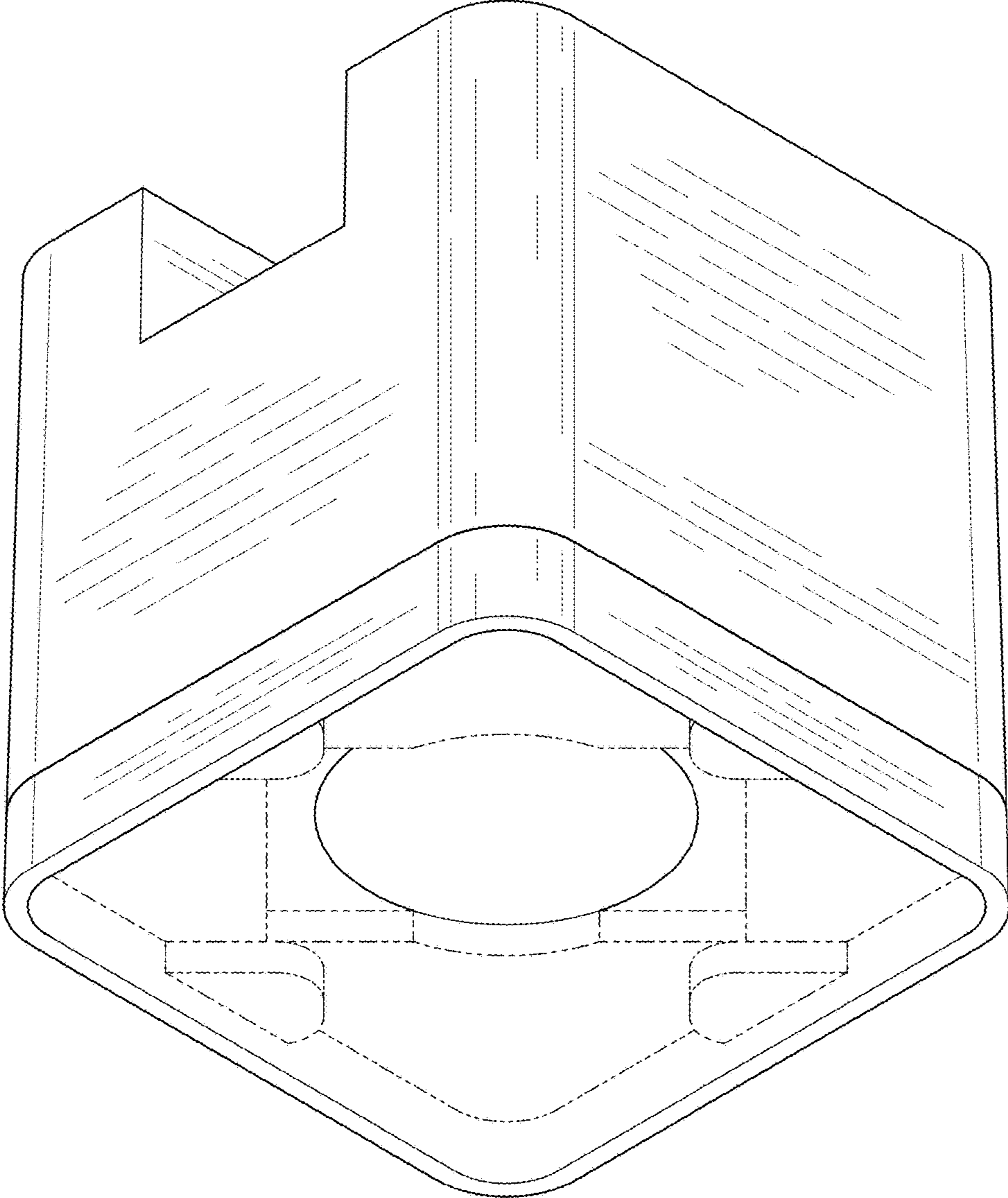


FIG. 2

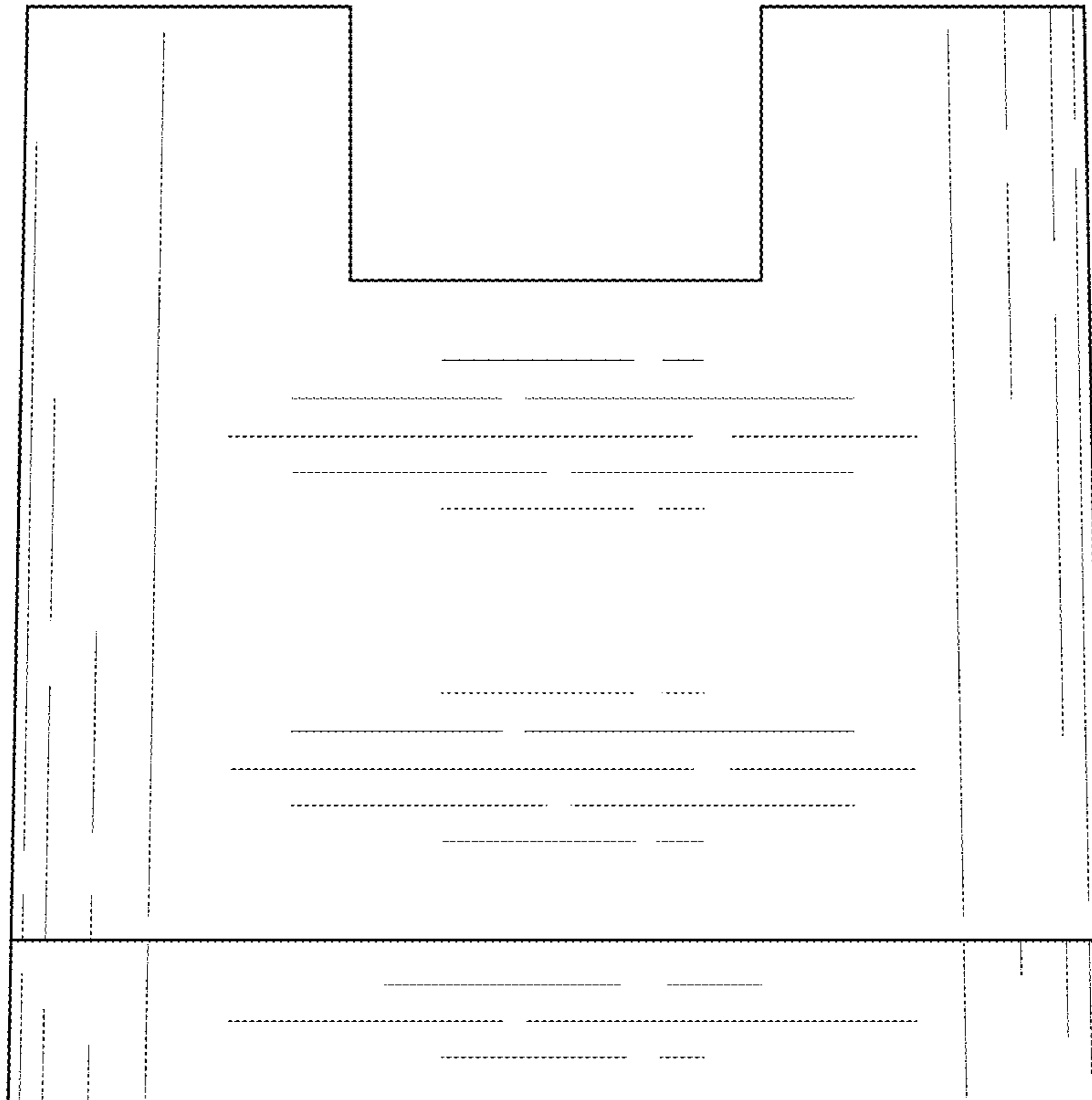


FIG. 3

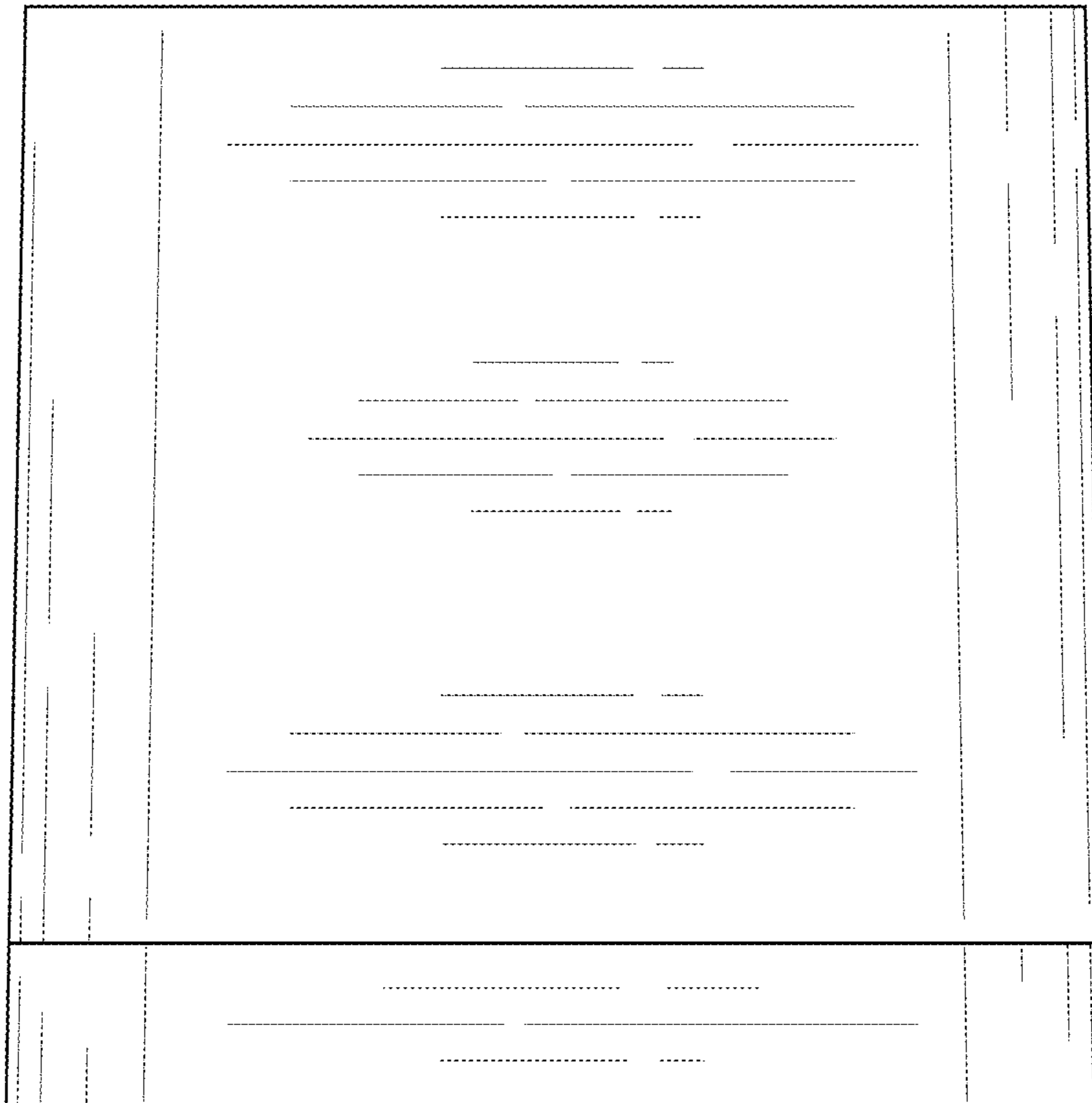


FIG. 4

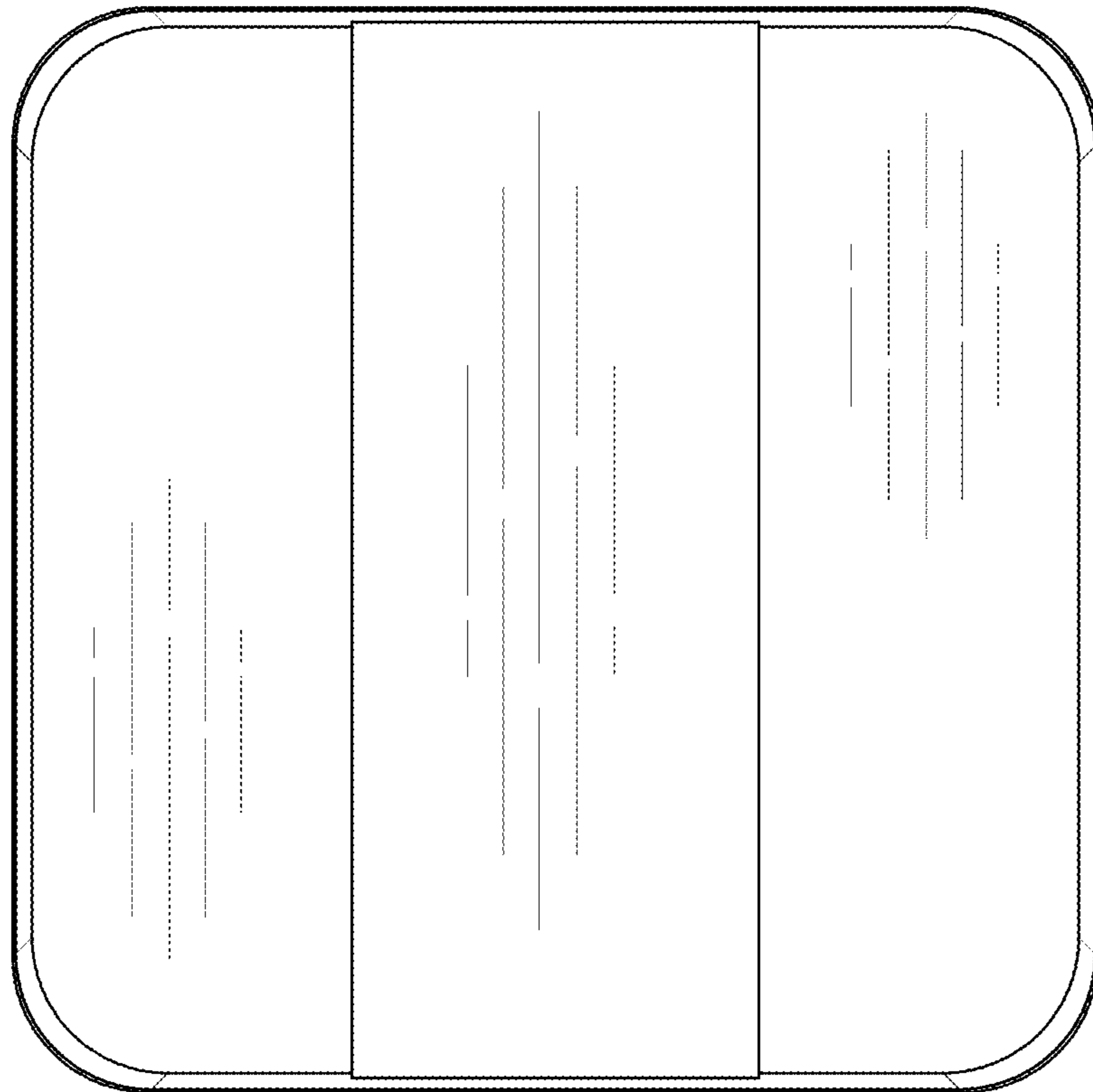


FIG. 5

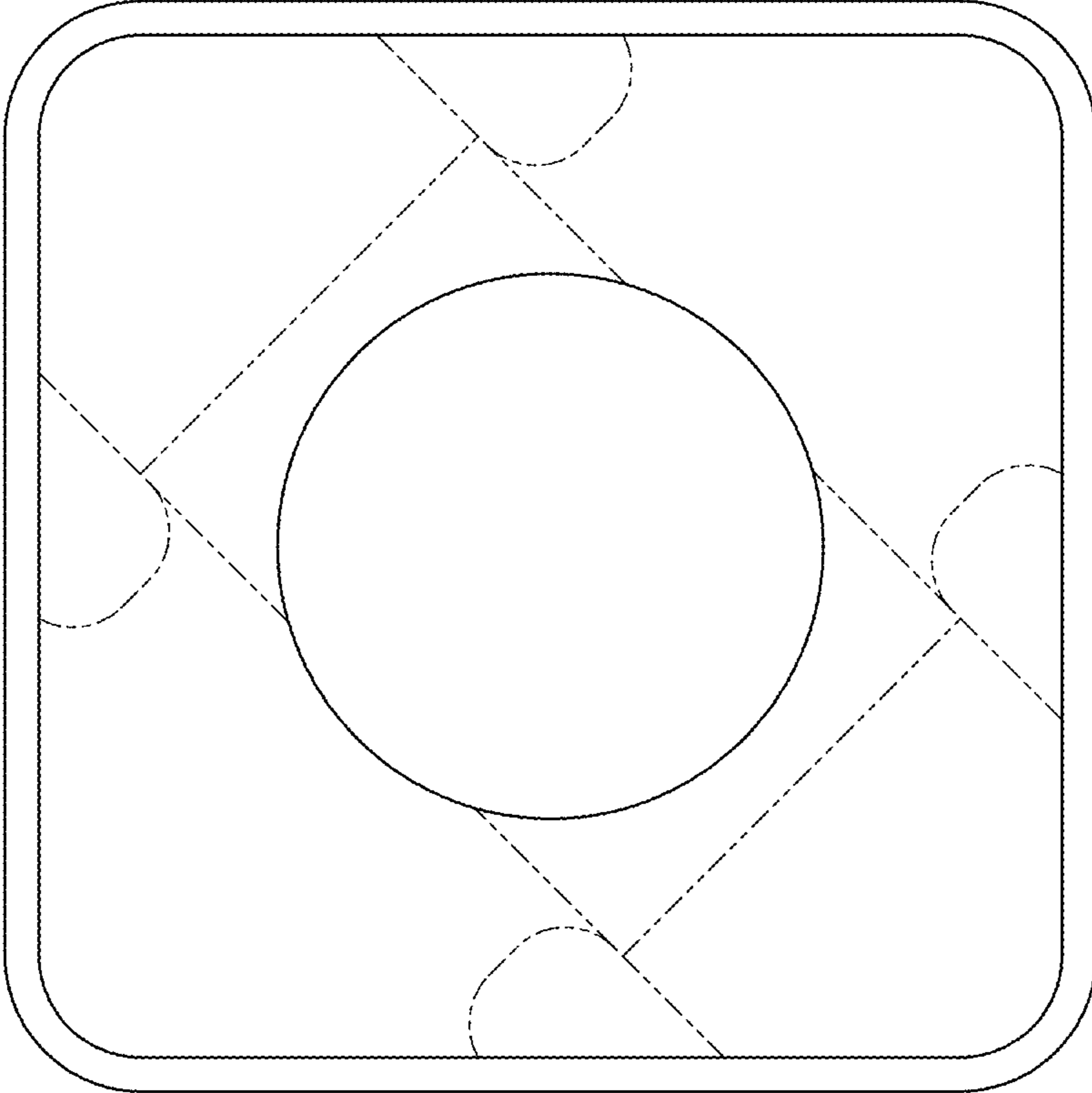


FIG. 6

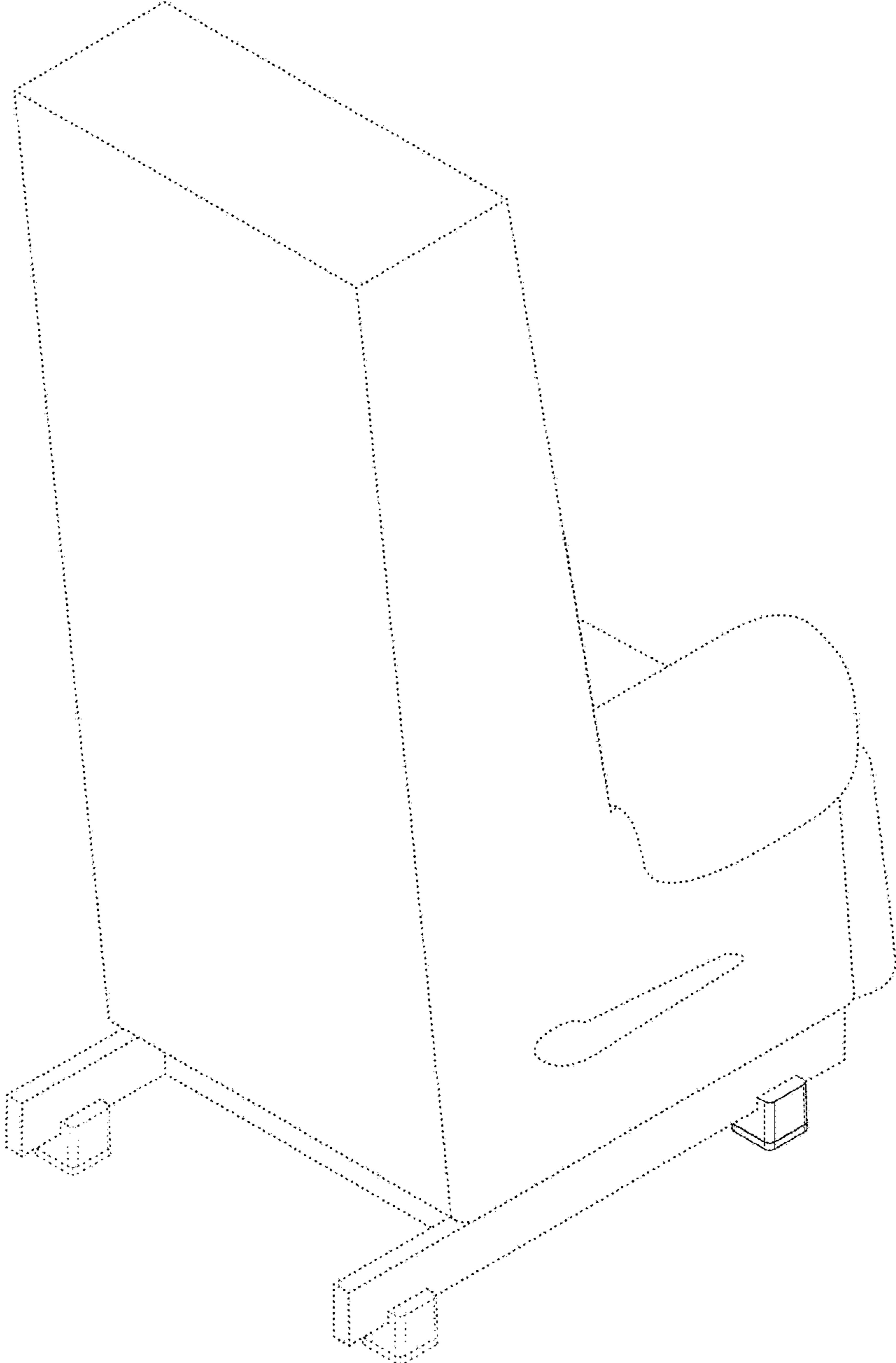


FIG. 7

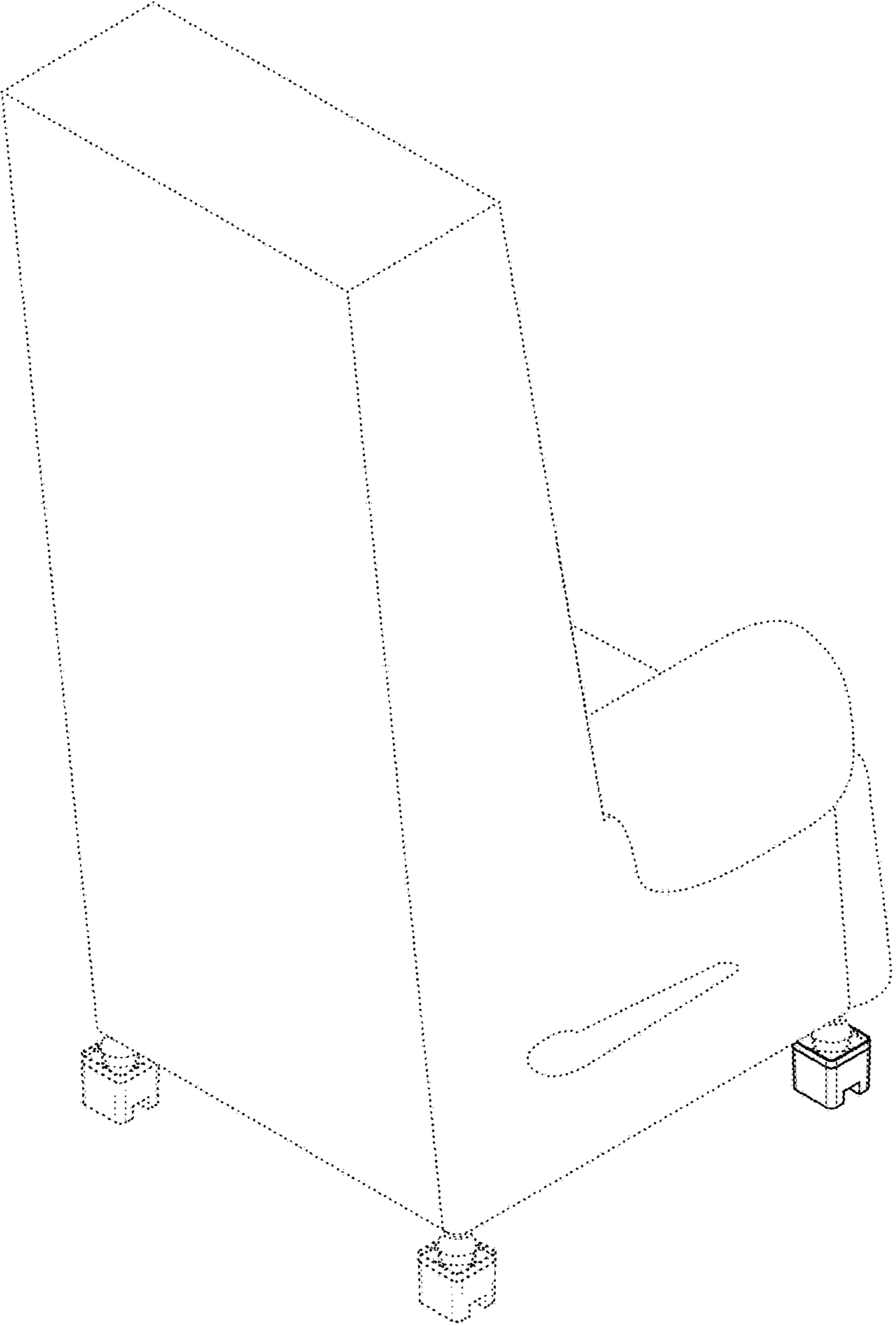


FIG. 8