



US00D828142S

(12) **United States Design Patent** (10) **Patent No.:** **US D828,142 S**
Macdonald et al. (45) **Date of Patent:** **** Sep. 11, 2018**

(54) **PERIMETER STRIP FOR WALL PANEL SYSTEM**

3/005; E04C 3/02; E04C 3/04; E04C 3/12; E04C 3/20; E04C 3/28; E04C 3/30
See application file for complete search history.

(71) Applicant: **EXTERIOR WALL SYSTEMS LIMITED (ONTARIO PANELIZATION)**, London, Ontario (CA)

(56) **References Cited**

U.S. PATENT DOCUMENTS

(72) Inventors: **Robert B. Macdonald**, London (CA); **Philip A. Macdonald**, London (CA); **Alexander K. Williams**, London (CA); **Jonathan W. Hoy**, London (CA)

4,439,960 A 4/1984 Jenkins
4,999,960 A 3/1991 Herwegh et al.
D317,513 S * 6/1991 Miller D13/155
5,067,293 A 11/1991 Reynolds

(Continued)

(73) Assignee: **Exterior Wall Systems Limited**, London, Ontario

OTHER PUBLICATIONS

(**) Term: **15 Years**

Screen shots taken from www.keithpanel.com (Keith Panel Systems), accessed Mar. 6, 2017.

(Continued)

(21) Appl. No.: **29/592,493**

(22) Filed: **Jan. 31, 2017**

Primary Examiner — Jennifer Rivard

Assistant Examiner — Alison M Ofstun

(51) **LOC (11) Cl.** **08-08**

(74) *Attorney, Agent, or Firm* — Peter L. Brewer; Thrive IP

(52) **U.S. Cl.**

USPC **D8/349**; D25/124

(58) **Field of Classification Search**

(57) **CLAIM**

The ornamental design for a perimeter strip for wall panel system, as shown and described.

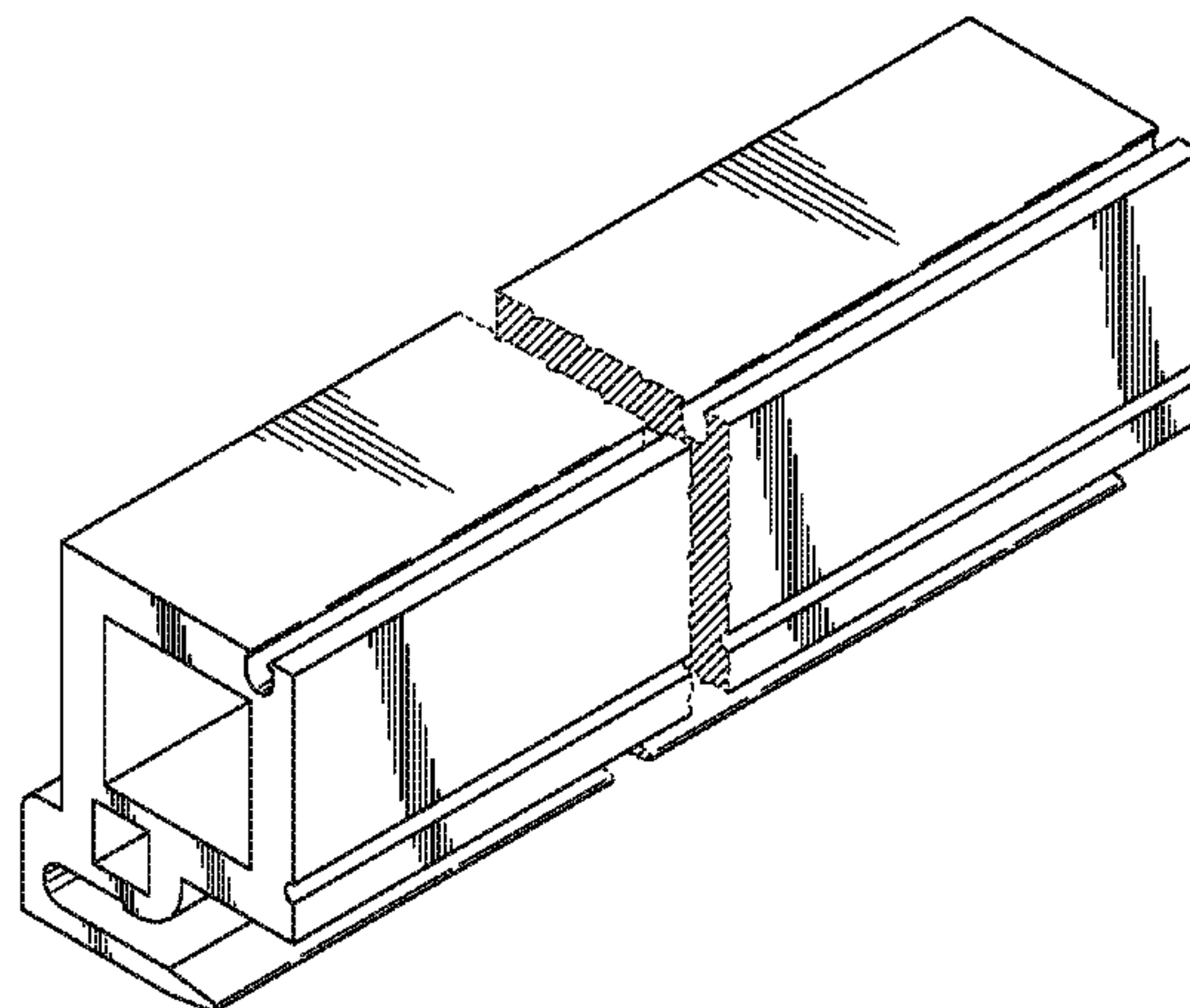
USPC D8/349, 354, 382, 383, 384, 403; D25/113, 114, 119, 120–125, 131, 136, D25/199; D21/484, 486, 500, 501, 839, D21/468, 470, 471, 478, 479; D3/10
CPC ... E04F 13/0826; E04F 13/12; E04F 13/0889; E04F 13/08; E04F 19/02; E04F 19/022; E04F 19/026; E04F 19/028; E04F 19/04; E04F 19/0436; E04F 19/0481; E04F 19/0486; E04F 19/06; E04F 19/061; E04H 1/00; E06B 1/00; E06B 1/006; E06B 1/02; E06B 1/04; E06B 1/045; E06B 1/12; E06B 1/16; E06B 1/34; E06B 1/342; E06B 1/347; E06B 1/36; E06B 1/363; E06B 1/366; E06B 1/38; E06B 1/40; E06B 1/52; E06B 1/522; E06B 1/524; E06B 1/526; E06B 1/528; E06B 1/56; E06B 1/60; E06B 1/6092; E06B 1/62; E06B 1/70; E06B 1/702; E06B 1/705; E06B 1/707; E04C 3/00; E04C

DESCRIPTION

FIG. 1 is a perspective view of a perimeter strip for wall panel system, showing our new design; FIG. 2 is a front elevation view thereof; FIG. 3 is a rear elevation view thereof; FIG. 4 is a left side elevation view thereof; FIG. 5 is a right side elevation view thereof; FIG. 6 is a top plan view thereof; and, FIG. 7 is a bottom plan view thereof.

The article is shown with a symbolic break in its length. The appearance of any portion of the article between the break lines forms no part of the claimed design.

1 Claim, 3 Drawing Sheets



(56)

References Cited

U.S. PATENT DOCUMENTS

5,094,051 A * 3/1992 Miller E04F 13/0812
52/235
5,220,759 A 6/1993 Hossli
5,226,274 A 7/1993 Sommerstein
5,239,798 A 8/1993 Saito
5,263,292 A 11/1993 Holland et al.
5,301,484 A 4/1994 Jansson
5,379,561 A 1/1995 Saito
D360,267 S 7/1995 DiGiorgio
5,522,193 A 6/1996 Sommerstein et al.
D373,200 S 8/1996 Colitto
D379,242 S 5/1997 Lin
D388,887 S 1/1998 Hersh et al.
D397,452 S * 8/1998 Franson D25/124
D400,080 S 10/1998 Beard, Jr.
D405,197 S 2/1999 Arcati et al.
D417,737 S 12/1999 Stansfield
D423,910 S 5/2000 Cyrell
6,065,259 A 5/2000 Clear
D429,347 S 8/2000 Doyle et al.
D432,675 S * 10/2000 Grosfillex D25/124
D437,945 S * 2/2001 Mast D25/199
D457,052 S * 5/2002 Snyder D8/349
D461,014 S 7/2002 Marshall
6,427,408 B1 8/2002 Krieger
6,484,465 B2 11/2002 Higgins
6,748,709 B1 6/2004 Sherman et al.
D496,248 S 9/2004 Liebendorfer
D501,936 S 2/2005 Kim
D541,955 S * 5/2007 Simko D25/125
D561,353 S * 2/2008 Antonic D25/122
D619,447 S 7/2010 Liu
D619,880 S 7/2010 MacDonald et al.

D626,663 S 11/2010 Stephens
8,166,716 B2 5/2012 Macdonald et al.
D662,805 S 7/2012 Macdonald et al.
D666,321 S 8/2012 Morton
D666,328 S * 8/2012 Morton D25/122
D666,329 S * 8/2012 Morton D25/122
D675,046 S 1/2013 Kloppers
D692,592 S 10/2013 Kosonen
8,595,996 B2 12/2013 Korman et al.
8,745,941 B2 6/2014 Macdonald et al.
D718,888 S 12/2014 Schwarz et al.
D731,677 S 6/2015 Bernier
D732,207 S * 6/2015 Campbell D25/124
9,068,358 B2 6/2015 Macdonald et al.
D736,958 S 8/2015 Chaney et al.
D744,667 S 12/2015 Macdonald et al.
D745,192 S 12/2015 Suciu et al.
D760,403 S 6/2016 Bilge
D767,786 S 9/2016 Smith
D775,373 S * 12/2016 Veerasawmy D25/124
D777,948 S * 1/2017 Veerasawmy D25/119
D778,465 S 2/2017 Zombek
D809,704 S * 2/2018 Klus D26/142
D815,308 S * 4/2018 Schuit D25/124
2007/0119105 A1 5/2007 MacDonald et al.
2015/0300027 A1 * 10/2015 Day E04F 13/0862
52/489.1

OTHER PUBLICATIONS

Screen shots taken from www.dri-design.com (Dri-Design Wall Panel System), accessed Mar. 6, 2017.

Screen shots taken from www.elward.com (Elward Systems Corporation), accessed Mar. 6, 2016.

* cited by examiner

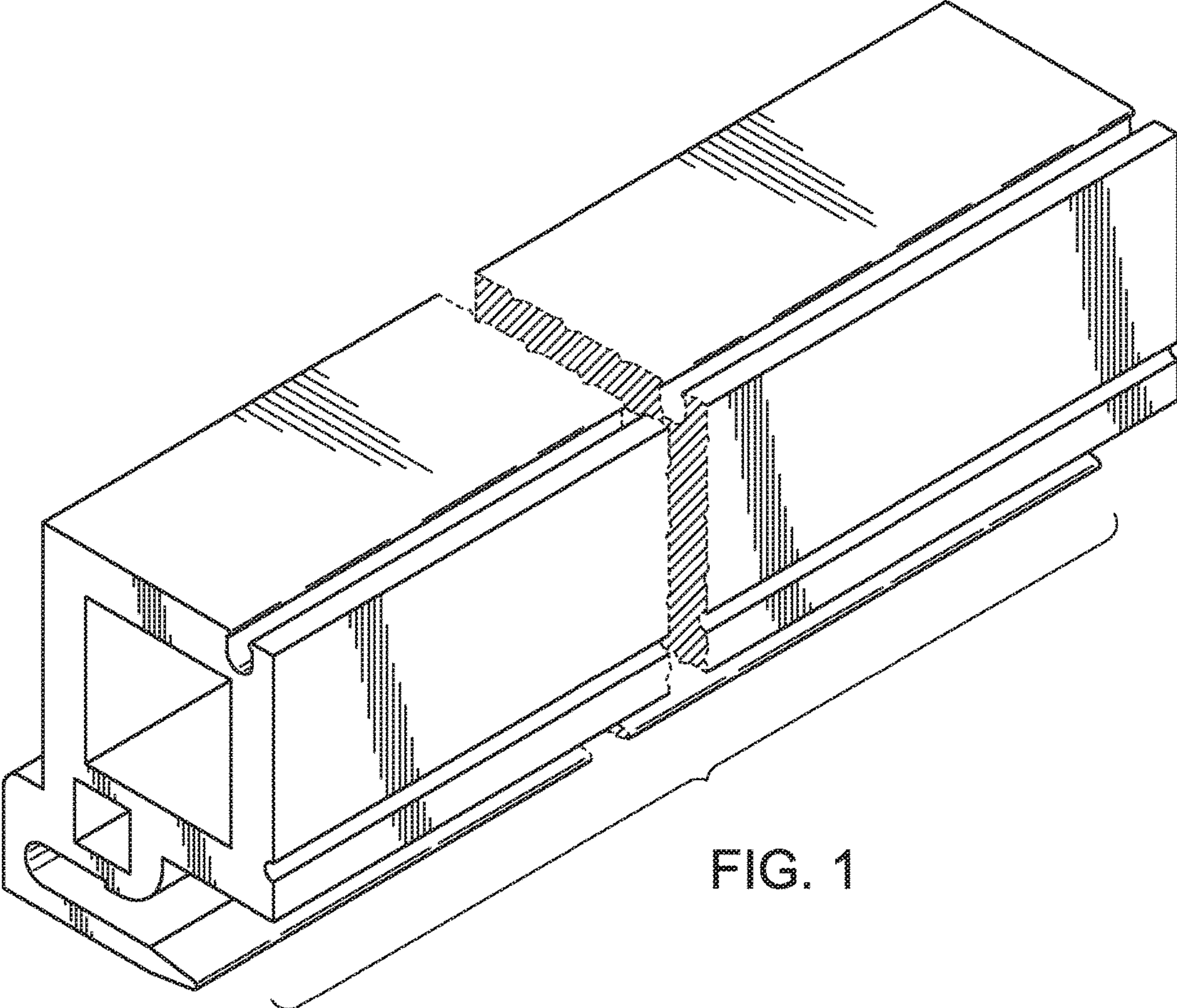


FIG. 1

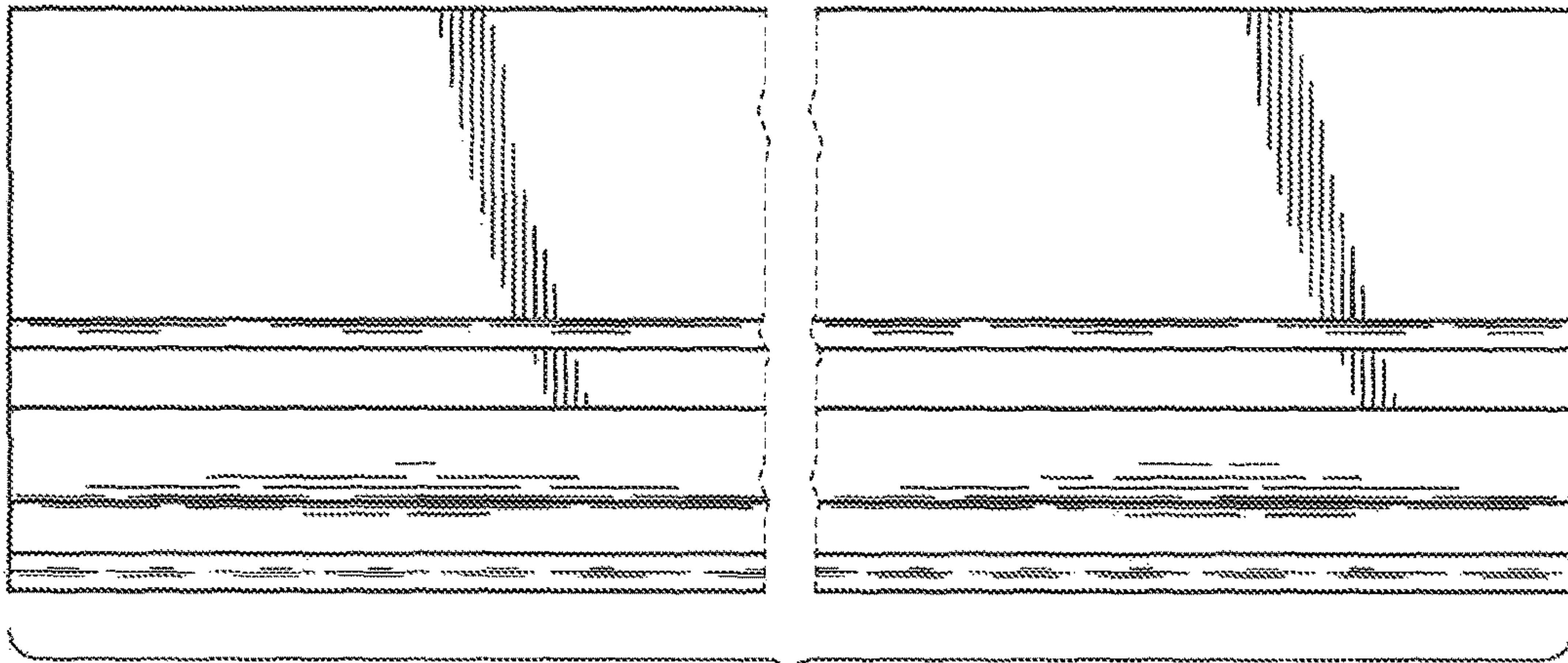


FIG. 2

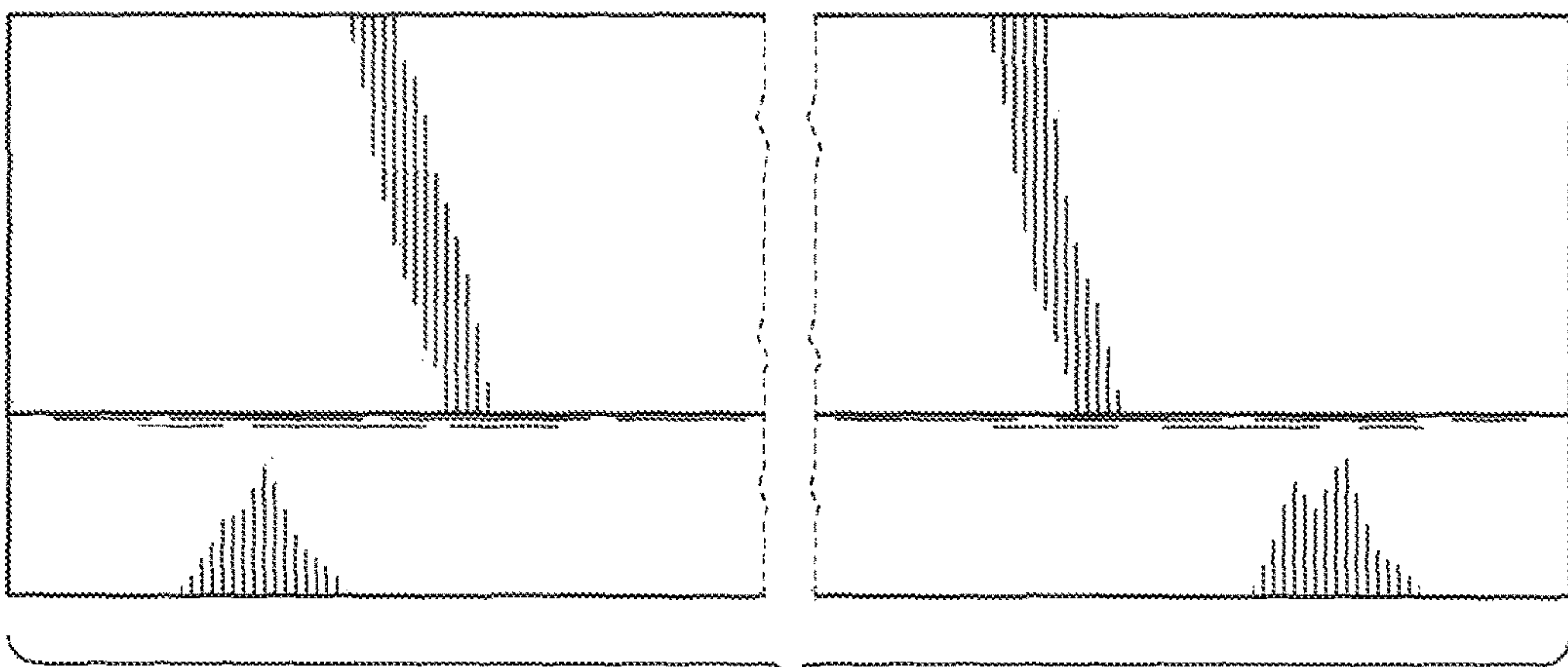


FIG. 3

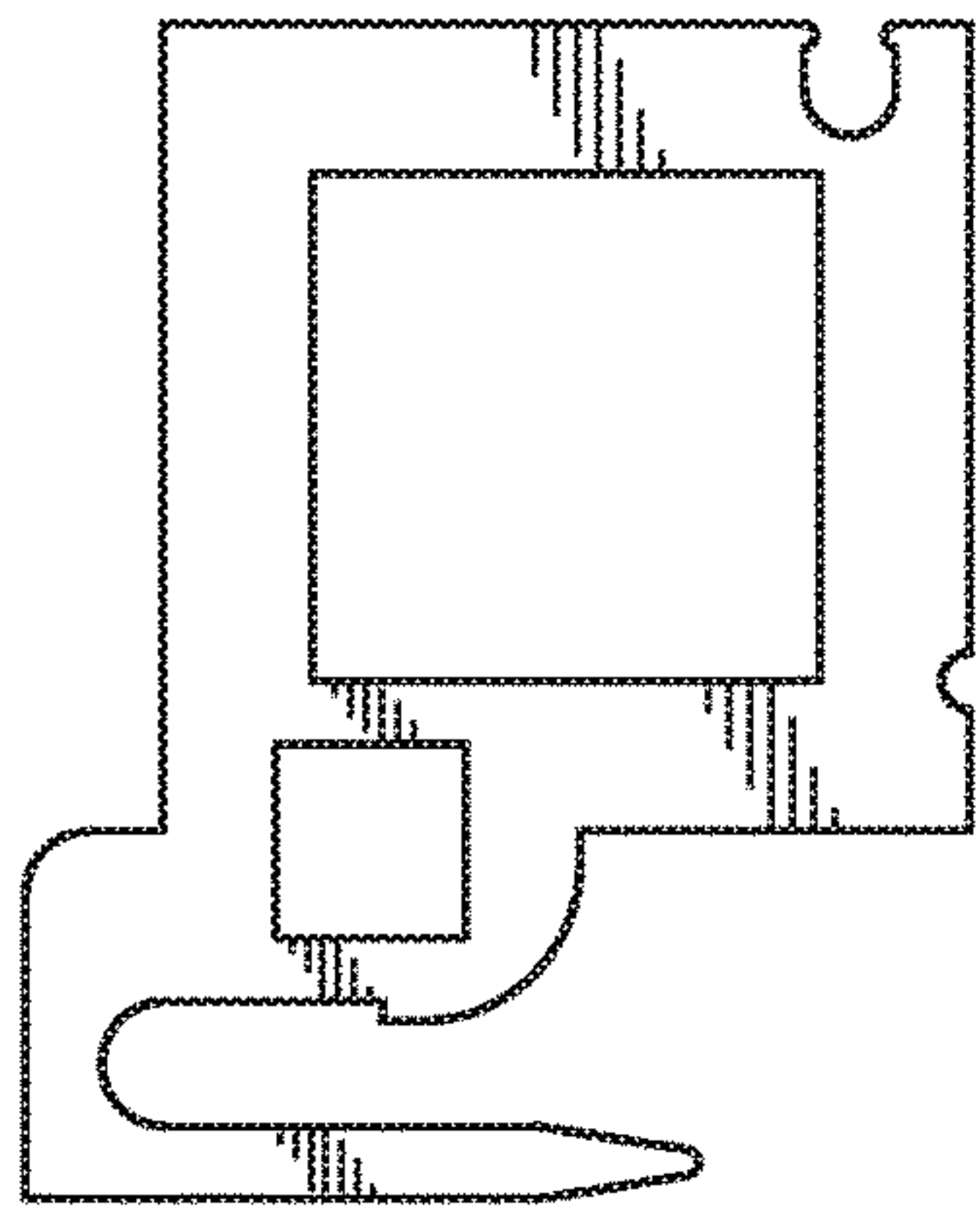


FIG. 4

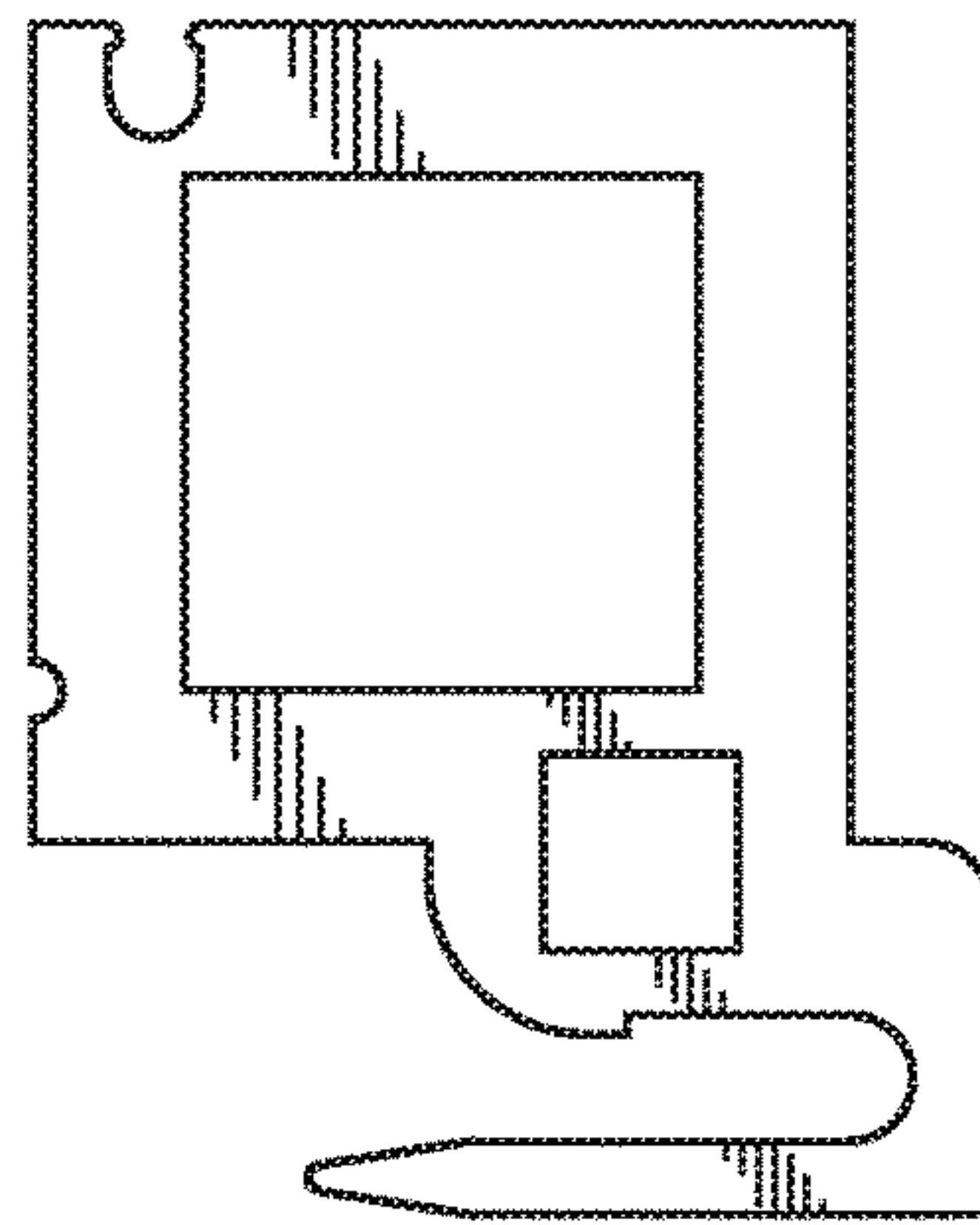


FIG. 5

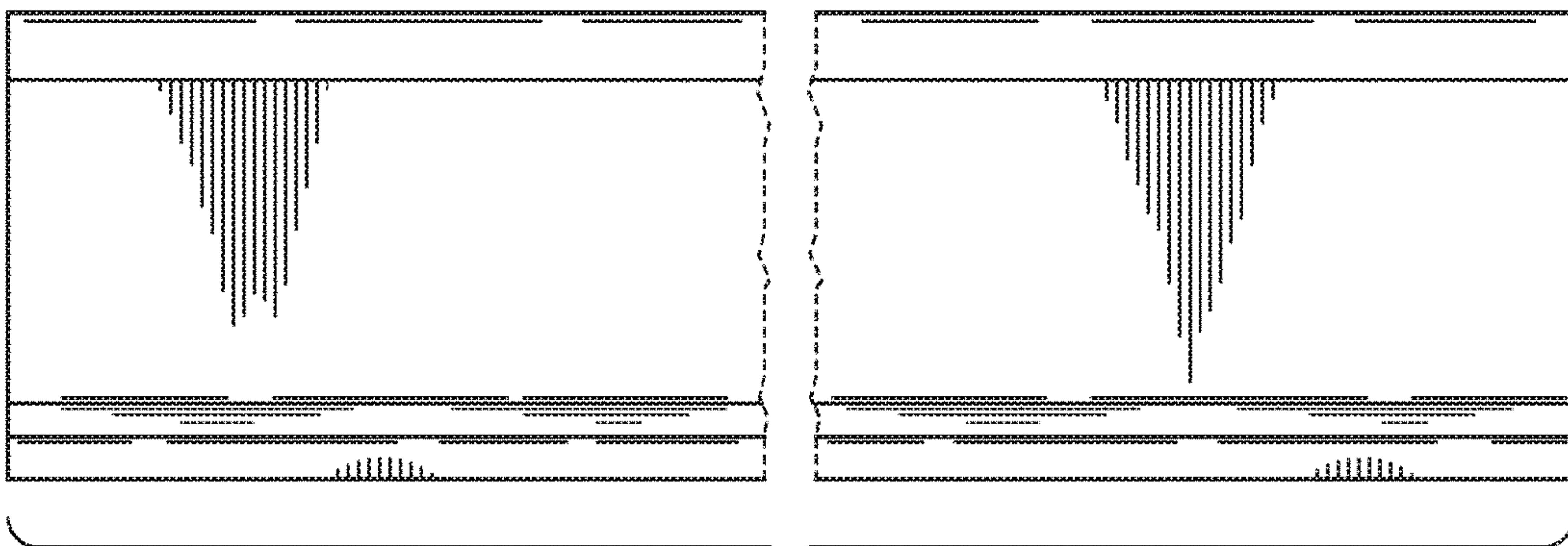


FIG. 6

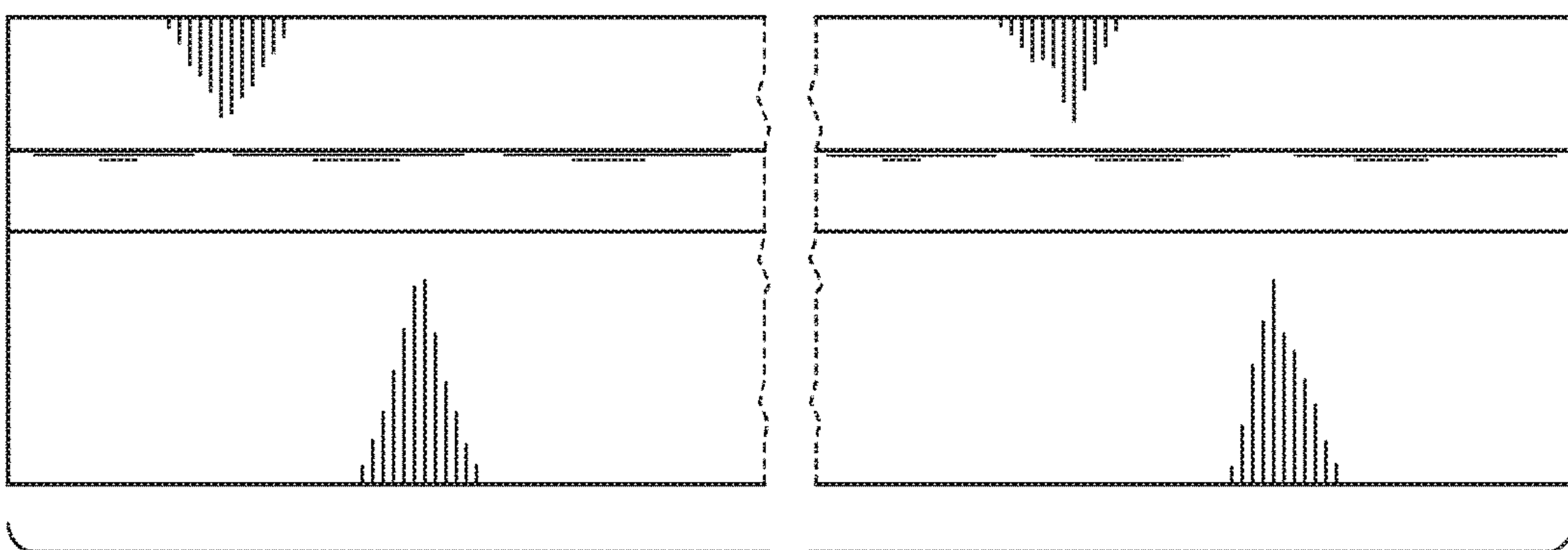


FIG. 7