



US00D828141S

(12) **United States Design Patent** (10) **Patent No.:** **US D828,141 S**
Yang (45) **Date of Patent:** **** Sep. 11, 2018**

(54) **LOCK**
(71) Applicant: **Yao-Kun Yang**, Changhua (TW)
(72) Inventor: **Yao-Kun Yang**, Changhua (TW)
(**) Term: **15 Years**
(21) Appl. No.: **29/611,332**
(22) Filed: **Jul. 20, 2017**
(51) **LOC (11) Cl.** **08-07**
(52) **U.S. Cl.**
USPC **D8/330**
(58) **Field of Classification Search**
USPC D8/300–302, 324, 330, 331, 334, 339,
D8/343, 349; 70/14, 41, 52, 56, 158,
70/160, 452, 448, 466; 292/348, 350
CPC E05B 67/08; E05B 67/00; E05B 67/02;
E05B 71/00; E05B 1/0007; E05B 27/00;
E05B 67/003; E05B 37/22; E05B 37/08
See application file for complete search history.

D789,174 S * 6/2017 Lai D8/334
D805,509 S * 12/2017 Hua D14/334
D805,510 S * 12/2017 Hua D14/334
2005/0207087 A1* 9/2005 Fisher E05B 19/0005
361/160
2006/0107708 A1* 5/2006 Yu E05B 37/025
70/21
2013/0111958 A1* 5/2013 Kuo E05B 35/105
70/21
2017/0208711 A1* 7/2017 Yang H05K 9/0081
2017/0234038 A1* 8/2017 Sanford E05B 65/0075
70/63
2018/0038133 A1* 2/2018 Wang E05B 37/02

* cited by examiner

Primary Examiner — Ian Simmons
Assistant Examiner — Yolanda Robinson
(74) *Attorney, Agent, or Firm* — Guice Patents PLLC

(57) **CLAIM**

The ornamental design for a lock, as shown and described.

DESCRIPTION

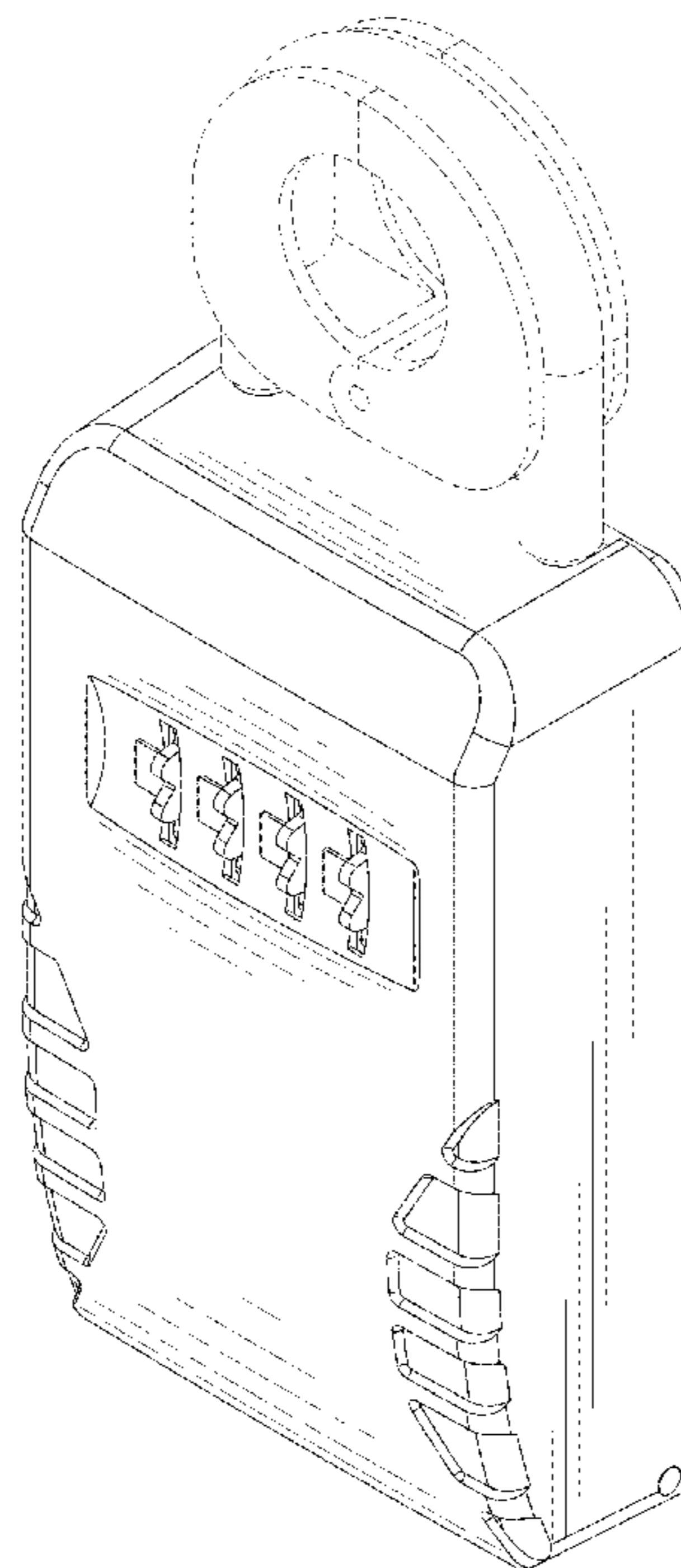
FIG. 1 is a front-right-top perspective view of the lock showing my new design;
FIG. 2 is a front elevational view thereof;
FIG. 3 is a rear front elevational view thereof;
FIG. 4 is a left side elevational view thereof;
FIG. 5 is a right side elevational view thereof;
FIG. 6 is a top plan view thereof;
FIG. 7 is a bottom plan view thereof; and,
FIG. 8 is another perspective view thereof.
The broken lines in the drawings illustrate portions of the lock which form no part of the claimed design.

1 Claim, 7 Drawing Sheets

(56) **References Cited**

U.S. PATENT DOCUMENTS

D592,934 S * 5/2009 Yang D8/334
D622,129 S * 8/2010 Spivey D8/333
D638,277 S * 5/2011 Yang D8/333
D654,654 S * 2/2012 Meekma D99/28
D659,345 S * 5/2012 Meekma D99/28
D667,287 S * 9/2012 Yang D8/330
D692,745 S * 11/2013 Stevens D8/334
D703,025 S * 4/2014 Stevens D8/334
D711,723 S * 8/2014 Garthe D8/334
D761,636 S * 7/2016 Little D8/334
D765,489 S * 9/2016 Little D8/334



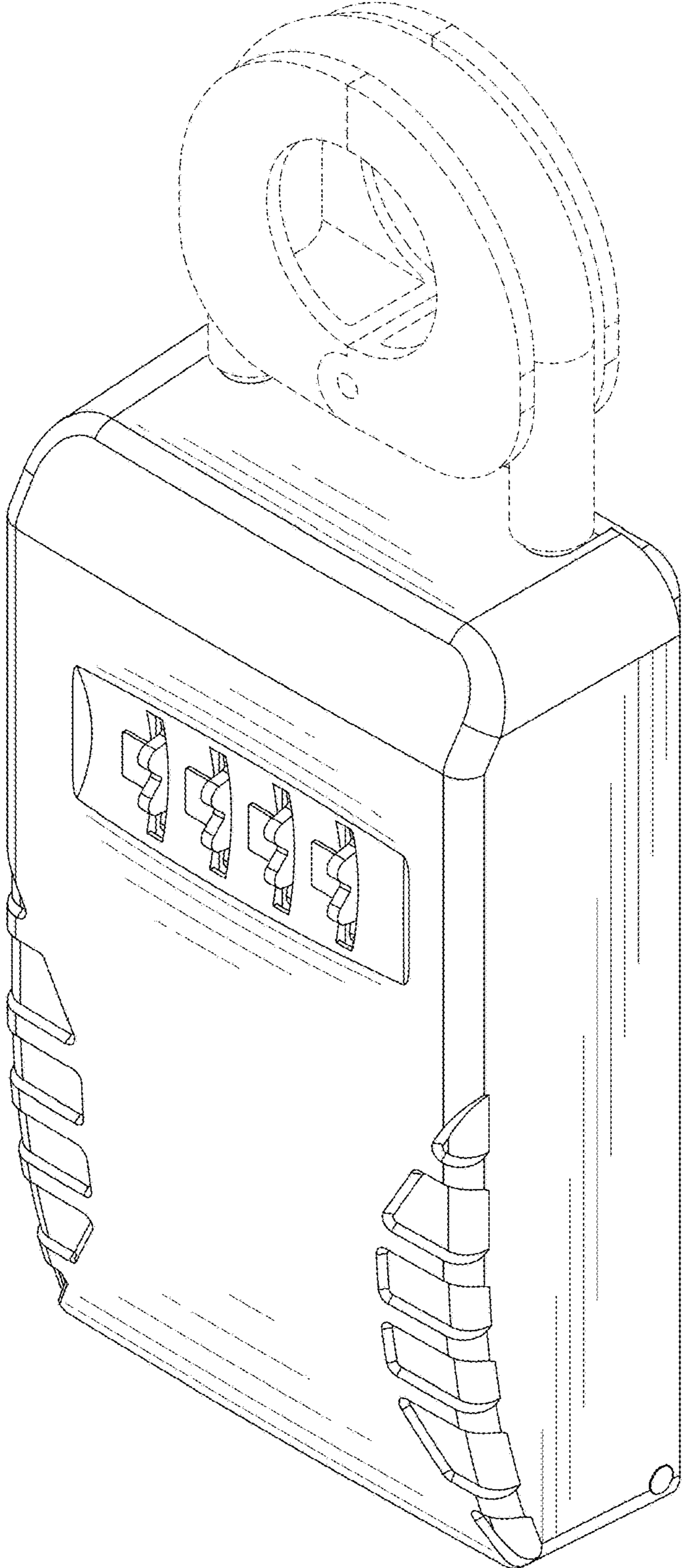


FIG.1

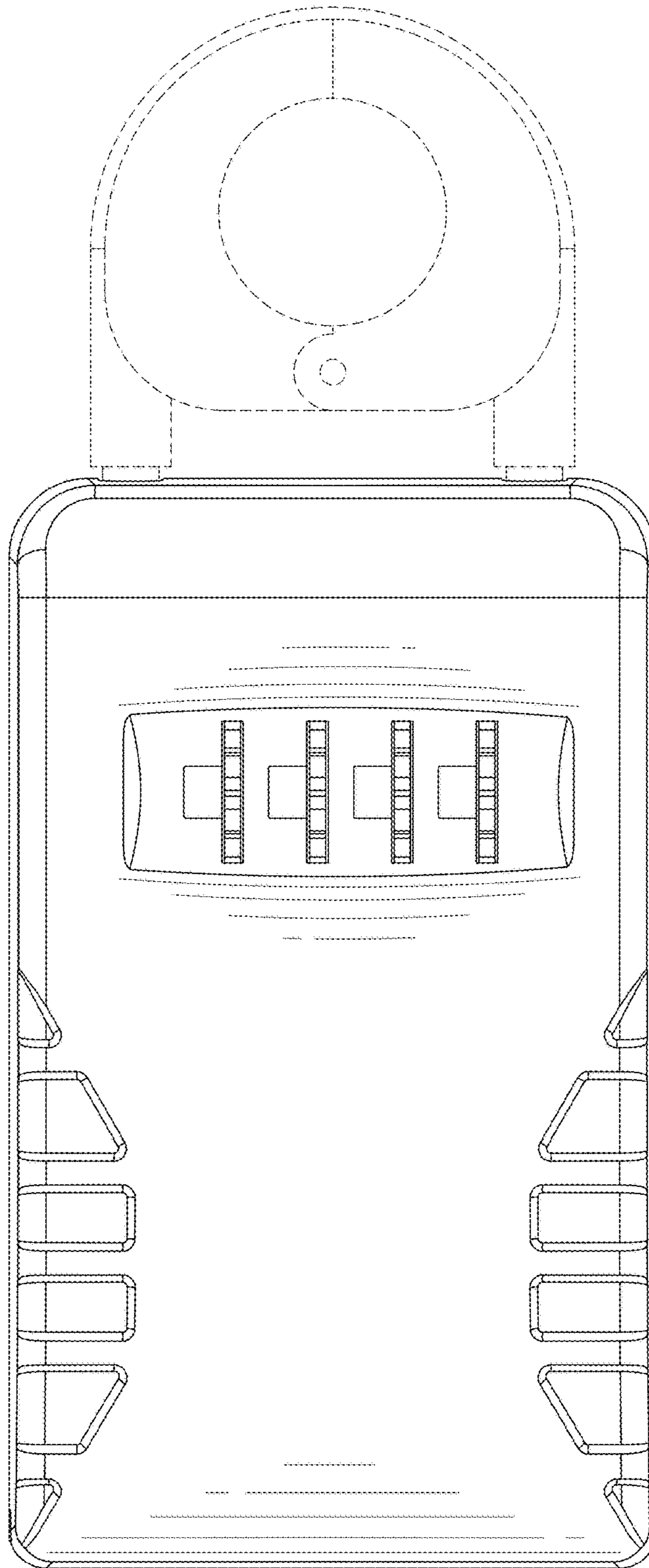


FIG.2

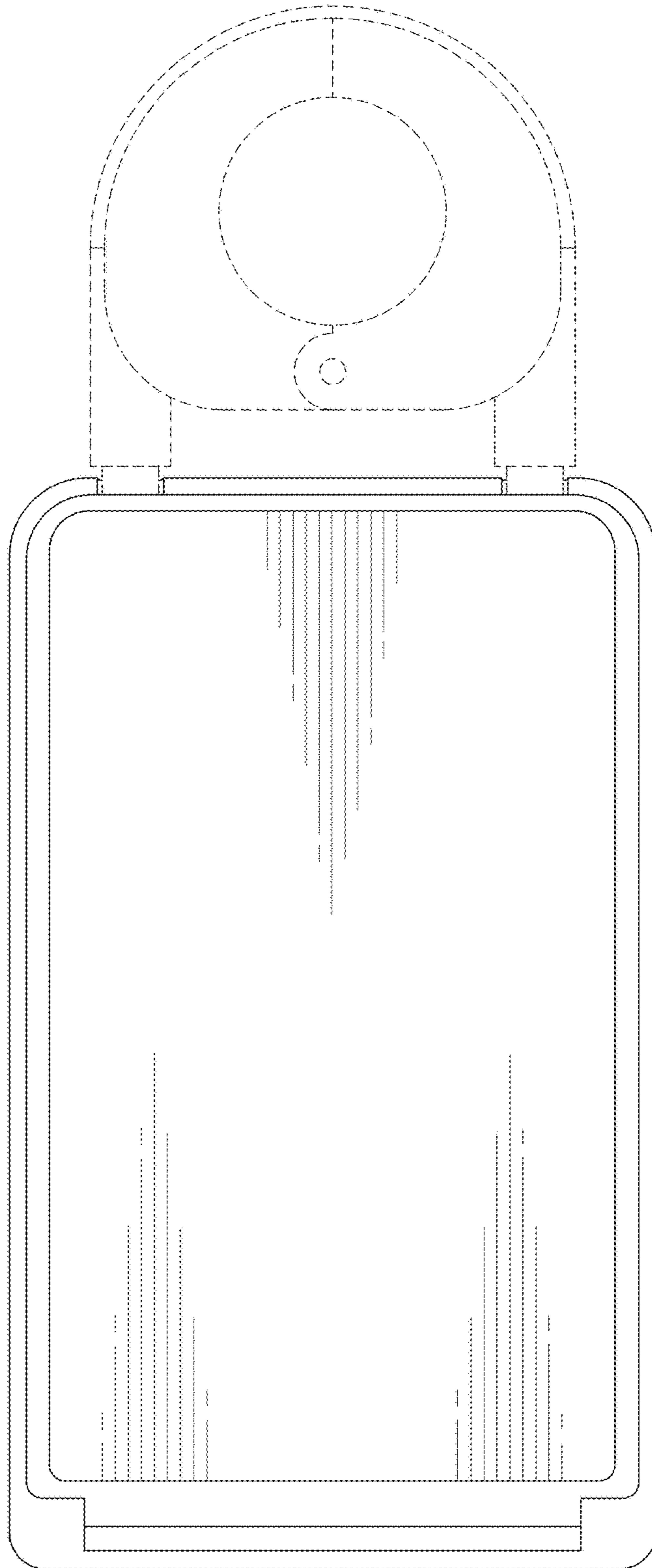


FIG.3

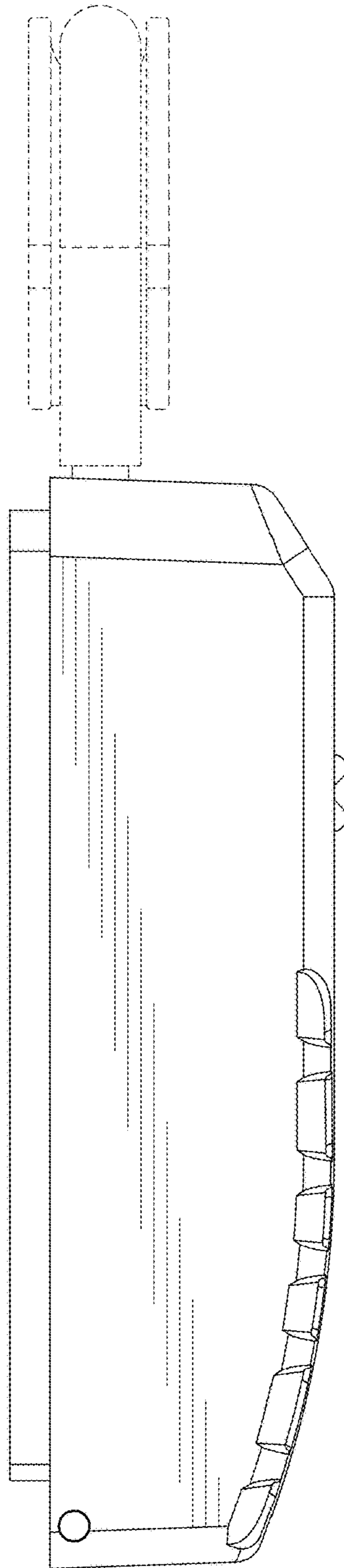


FIG.4

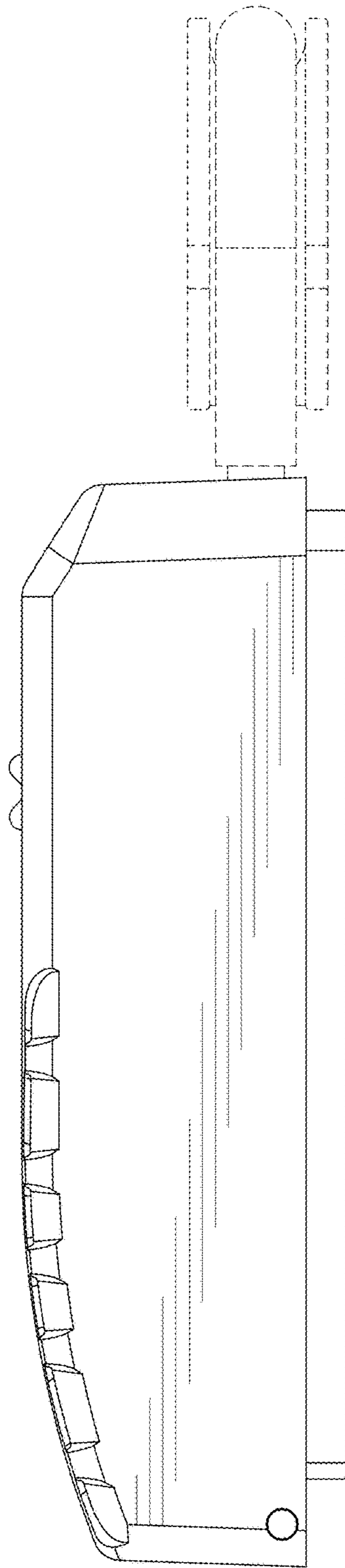


FIG.5

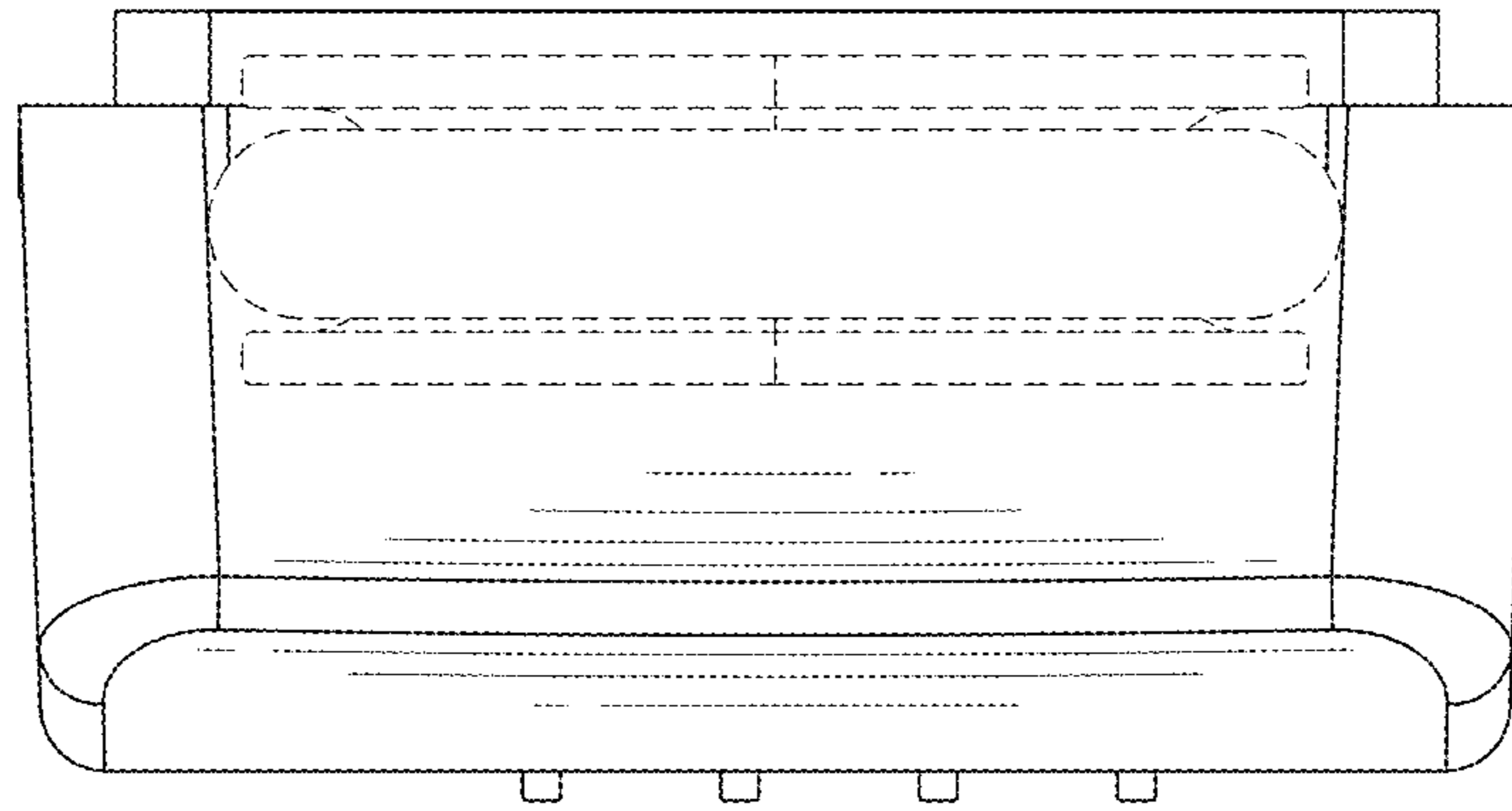


FIG. 6

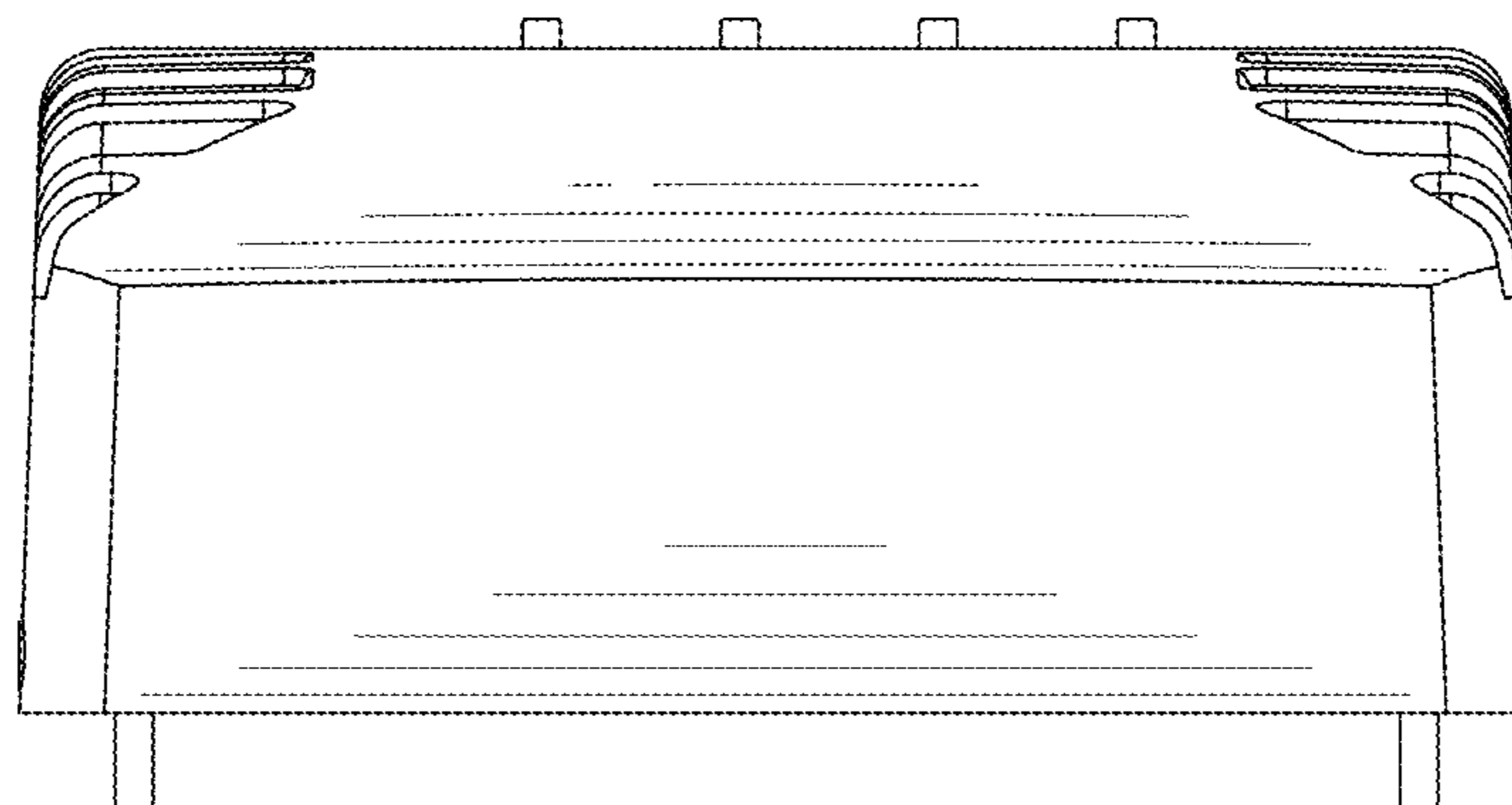


FIG. 7

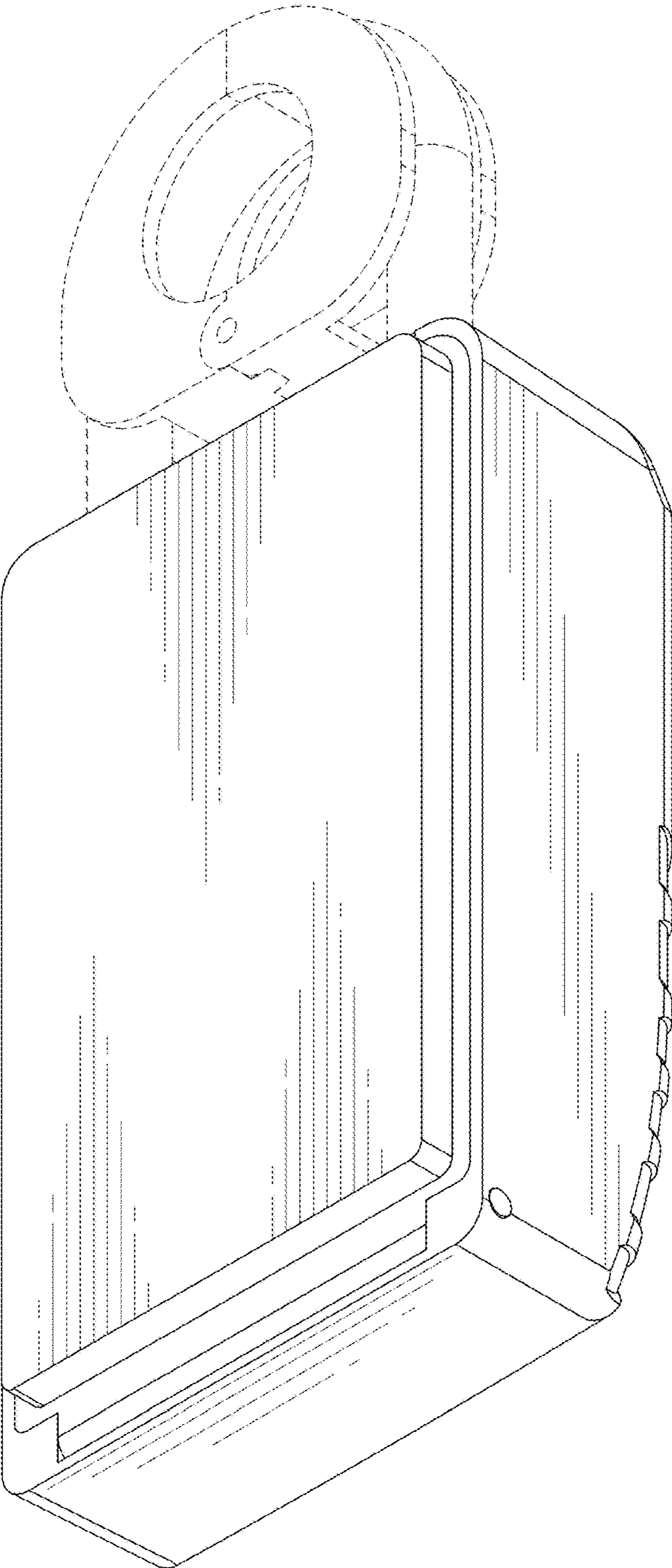


FIG.8