



US00D828140S

(12) **United States Design Patent**  
**Garland**

(10) **Patent No.:** **US D828,140 S**

(45) **Date of Patent:** **\*\* Sep. 11, 2018**

(54) **PULL**

(71) Applicant: **DELTA FAUCET COMPANY,**  
Indianapolis, IN (US)

(72) Inventor: **Celine Kwok Garland,** Zionsville, IN  
(US)

(73) Assignee: **DELTA FAUCET COMPANY,**  
Indianapolis, IN (US)

(\*\*) Term: **15 Years**

(21) Appl. No.: **29/595,269**

(22) Filed: **Feb. 27, 2017**

(51) **LOC (11) Cl.** ..... **08-06**

(52) **U.S. Cl.**  
USPC ..... **D8/316**

(58) **Field of Classification Search**  
USPC ..... D8/315-320  
CPC ..... A47G 19/2272; E05Y 2900/531; B25F  
5/026; B62D 43/10

See application file for complete search history.

(56) **References Cited**

**U.S. PATENT DOCUMENTS**

337,412 A *	3/1886	Long	.....	A47B 95/02	16/415
881,395 A *	3/1908	Gillen	.....	A47B 95/02	16/439
2,142,953 A *	1/1939	Raymond	.....	A47B 95/02	16/444
3,384,208 A *	5/1968	Renner	.....	A45C 13/26	16/410
D229,026 S *	11/1973	Javkin	.....	D8/306	
D276,387 S *	11/1984	Conti	.....	D6/549	
D277,337 S *	1/1985	Parrochia	.....	D3/323	
D277,620 S *	2/1985	Parrochia	.....	D3/323	
D290,935 S *	7/1987	Williams	.....	D8/315	
D301,201 S *	5/1989	King	.....	D8/306	
D314,108 S *	1/1991	Chap	.....	D6/523	

D338,608 S *	8/1993	Martin	.....	D8/302
D340,377 S *	10/1993	Brazis	.....	D6/549
D405,643 S *	2/1999	Coleman	.....	D7/402
D418,803 S *	1/2000	Klimenko	.....	D12/316
D419,853 S *	2/2000	Workman	.....	D8/317
D504,601 S *	5/2005	Jimenez	.....	D8/45
D551,056 S *	9/2007	Ricereto	.....	D8/317
D564,312 S *	3/2008	Palermo	.....	D8/8
D640,910 S *	7/2011	McDonald	.....	D8/313
D662,389 S *	6/2012	Hauber	.....	D8/319

(Continued)

**OTHER PUBLICATIONS**

Amerock Blackrock Pull, posted at myknobs.com, posting date not given, [online], [site visited Apr. 13, 2018]. Available from Internet, URL: <https://www.myknobs.com/amebp55277g10.html> (Year: 2018).\*

(Continued)

*Primary Examiner* — George D. Kirschbaum

*Assistant Examiner* — Maria J Edwards

(74) *Attorney, Agent, or Firm* — Edgar A. Zarins; Nirav D. Parikh

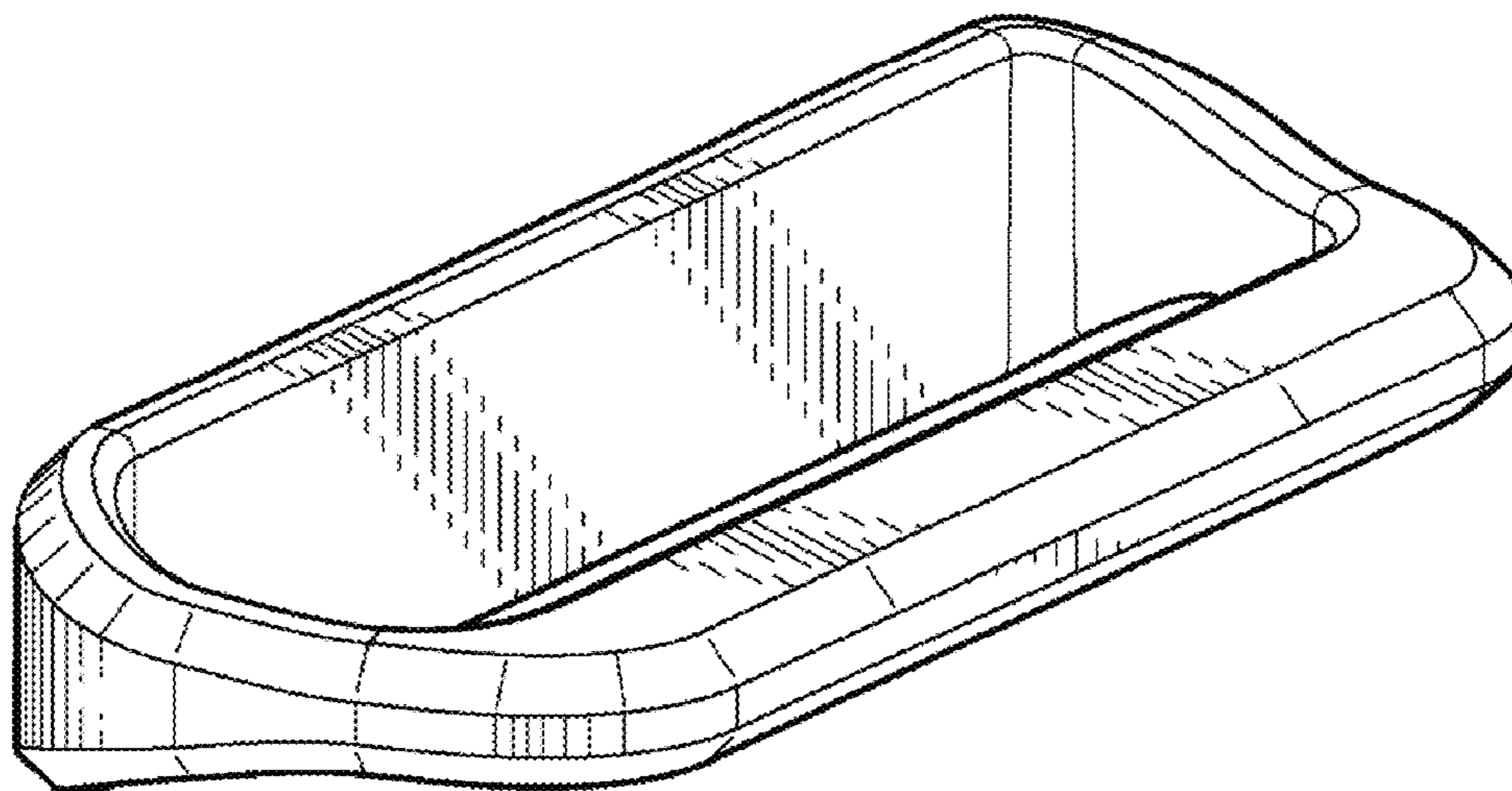
(57) **CLAIM**

The ornamental design for a pull, as shown and described.

**DESCRIPTION**

FIG. 1 is a perspective view of a pull showing my new design;  
FIG. 2 is a top plan view thereof, the bottom view being a mirror image of the side shown;  
FIG. 3 is a front elevational view thereof;  
FIG. 4 is a rear view thereof; and,  
FIG. 5 is a right end view thereof, the opposite end being a mirror image of the end shown.  
The broken lines in the drawings illustrate portions of the article and form no part of the claimed design.

**1 Claim, 1 Drawing Sheet**



(56)

**References Cited**

U.S. PATENT DOCUMENTS

D678,032 S \* 3/2013 Coplan ..... D8/301  
D719,008 S \* 12/2014 Han ..... D8/315  
9,314,080 B2 \* 4/2016 Lai ..... A45C 13/26  
D764,833 S \* 8/2016 Citterio ..... D6/549  
D812,929 S \* 3/2018 Garland ..... D6/549

OTHER PUBLICATIONS

Hickory Hardware Bridges Cabinet Pull, posted at homedepot.com, posting date not given, [online], [site visited Apr. 13, 2018]. Available from Internet, URL: <https://www.homedepot.com/p/Hickory-Hardware-Bridges-96-mm-Chrome-Pull-P3232-CH/202335894> (Year: 2018).\*

Liberty Mandara Cabinet Pull, posted at homedepot.com, posting date not given, [online], [site visited Apr. 13, 2018]. Available from Internet, URL: <https://www.homedepot.com/p/Liberty-Mandara-3-3-4-in-96mm-Brushed-Satin-Nickel-Cabinet-Pull-P36130C-SN-CP/300703017> (Year: 2018).\*

\* cited by examiner

