



US00D828138S

(12) **United States Design Patent** (10) **Patent No.:** **US D828,138 S**
Shargh et al. (45) **Date of Patent:** **** Sep. 11, 2018**

(54) **DOOR LATCH LEVER**

(71) Applicant: **Hampton Products International Corporation**, Foothill Ranch, CA (US)

(72) Inventors: **Hossein Molaie Shargh**, Rancho Santa Margarita, CA (US); **Jason L. Quinn**, Spooner, WI (US)

(73) Assignee: **HAMPTON PRODUCTS INTERNATIONAL CORPORATION**, Foothill Ranch, CA (US)

(**) Term: **15 Years**

(21) Appl. No.: **29/626,392**

(22) Filed: **Nov. 16, 2017**

(51) **LOC (11) Cl.** **08-06**

(52) **U.S. Cl.**
USPC **D8/308**

(58) **Field of Classification Search**
USPC D8/300-302, 307-309; D23/250, 252; D7/393

CPC Y10T 16/44; Y10T 74/20612; Y10T 74/20732; Y10T 16/458; Y10T 16/498; Y10T 16/469; Y10T 16/476; Y10T 74/20744; Y10T 74/20864; Y10T 16/4628; Y10T 74/20642; Y10T 16/473; Y10T 74/20762; Y10T 74/2042; Y10T 74/20828; Y10T 16/459; Y10T 16/4713; Y10T 74/2014; Y10T 16/50; Y10T 74/20438; Y10T 74/20582; Y10T 74/20738; Y10T 16/48; Y10T 74/20618; Y10T 74/20684; Y10T 74/20624; Y10T 74/20468; Y10T 16/61; Y10T 16/4719; Y10T 16/86; Y10S 16/30; Y10S 292/31; Y10S 292/53; Y10S 16/12; Y10S 292/23; Y10S 292/27; Y10S 292/30; Y10S 292/63; E05B 85/16; E05B 1/0015; E05B 77/06; E05B 79/06; E05B

(Continued)

(56) **References Cited**

U.S. PATENT DOCUMENTS

D82,598 S * 11/1930 Brownell D8/308
D84,756 S * 7/1931 Ruppel D8/308
D90,086 S * 6/1933 Schebera et al. D8/308

(Continued)

Primary Examiner — Lauren R Calve

(74) *Attorney, Agent, or Firm* — Klein, O'Neill & Singh, LLP

(57) **CLAIM**

The ornamental design for a door latch lever, as shown and described.

DESCRIPTION

FIG. 1 is a perspective view, taken from the front, top, and left side, of a door latch lever, in accordance with our new design;

FIG. 2 is a perspective view, taken from the front, top, and right side, of the door latch lever shown in FIG. 1;

FIG. 3 is a perspective view, taken from the rear, top, and right side, of the door latch lever shown in FIG. 1;

FIG. 4 is a perspective view, taken from the rear, top, and left side, of the door latch lever shown in FIG. 1;

FIG. 5 is a front elevation view of the door latch lever shown in FIG. 1;

FIG. 6 is a top plan view of the door latch lever shown in FIG. 1;

FIG. 7 is a bottom plan view of the door latch lever shown in FIG. 1;

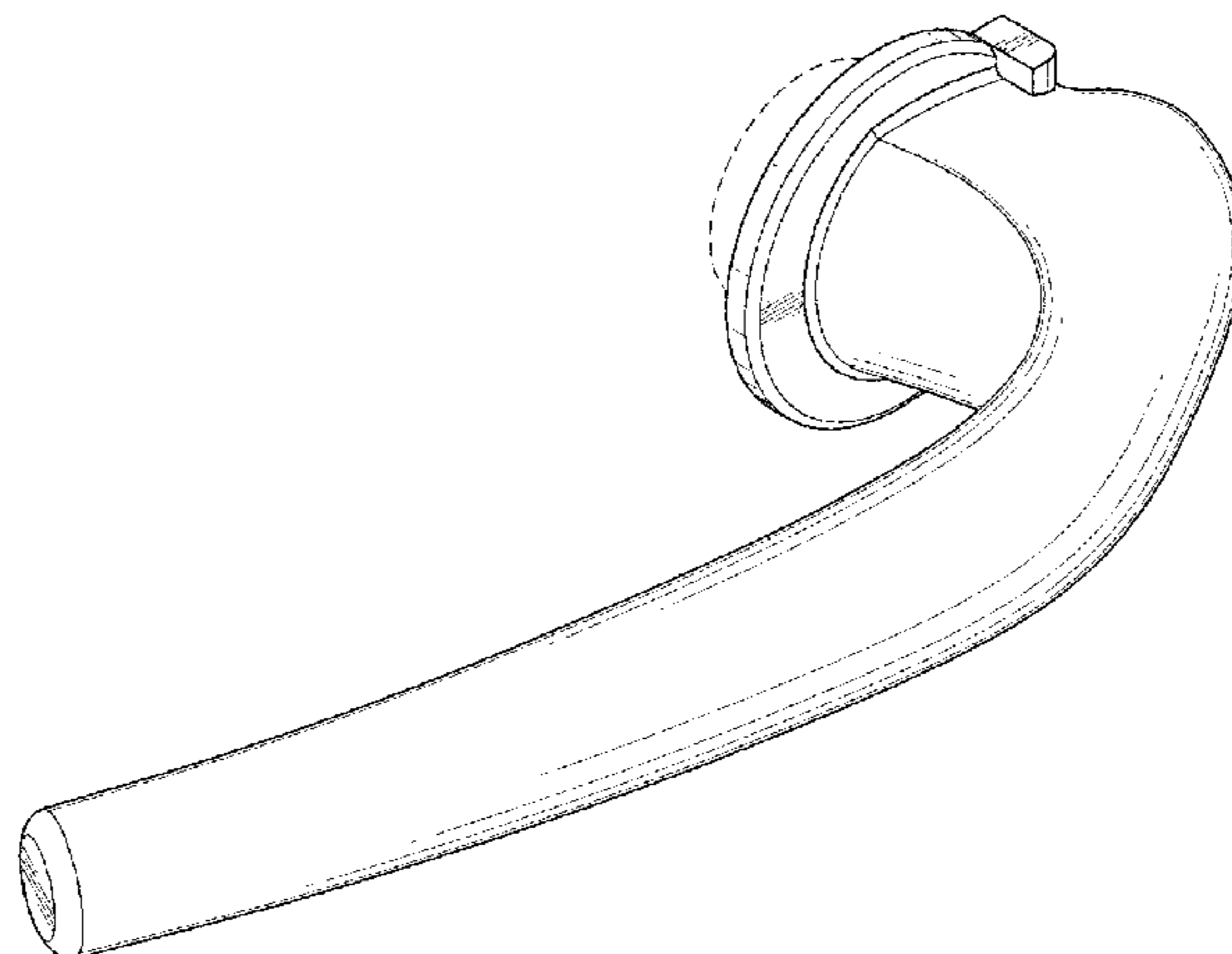
FIG. 8 is a rear elevation view of the door latch lever shown in FIG. 1;

FIG. 9 is a side elevation view taken from the left side of FIG. 1; and,

FIG. 10 is a side elevation view taken from the right side of FIG. 1.

The broken lines illustrate environmental structure which forms no part of the claimed design.

1 Claim, 4 Drawing Sheets



(58) **Field of Classification Search**

CPC 85/18; E05B 85/12; E05B 85/10; E05B
7/00; E05B 1/0053; E05B 77/265

See application file for complete search history.

(56) **References Cited**

U.S. PATENT DOCUMENTS

D111,983 S * 11/1938 Lemm D8/308
D178,859 S * 10/1956 Beil D8/308
D182,142 S * 2/1958 Morgan D8/302
5,184,853 A * 2/1993 Whatley E05B 13/002
292/205
D348,821 S * 7/1994 Carsello D8/308
D457,048 S * 5/2002 Zoerner D8/308
6,748,776 B2 * 6/2004 Bullock E05B 1/003
292/336.3
D512,895 S * 12/2005 Sato D8/308
D521,354 S * 5/2006 Gilbert D8/308
D545,169 S * 6/2007 Kosasih D8/308
D566,517 S * 4/2008 Lin D8/308
D581,489 S * 11/2008 Painter D23/252
D583,212 S * 12/2008 Grohmann D8/308
D784,788 S * 4/2017 Weng D8/308
D794,411 S * 8/2017 Le D8/302
D805,874 S * 12/2017 Landecker D8/308
D806,508 S * 1/2018 Weise D8/308
2014/0007631 A1 * 1/2014 Wood E05B 63/08
70/357
2015/0336628 A1 * 11/2015 Miyazaki B62K 23/06
74/551.9

* cited by examiner

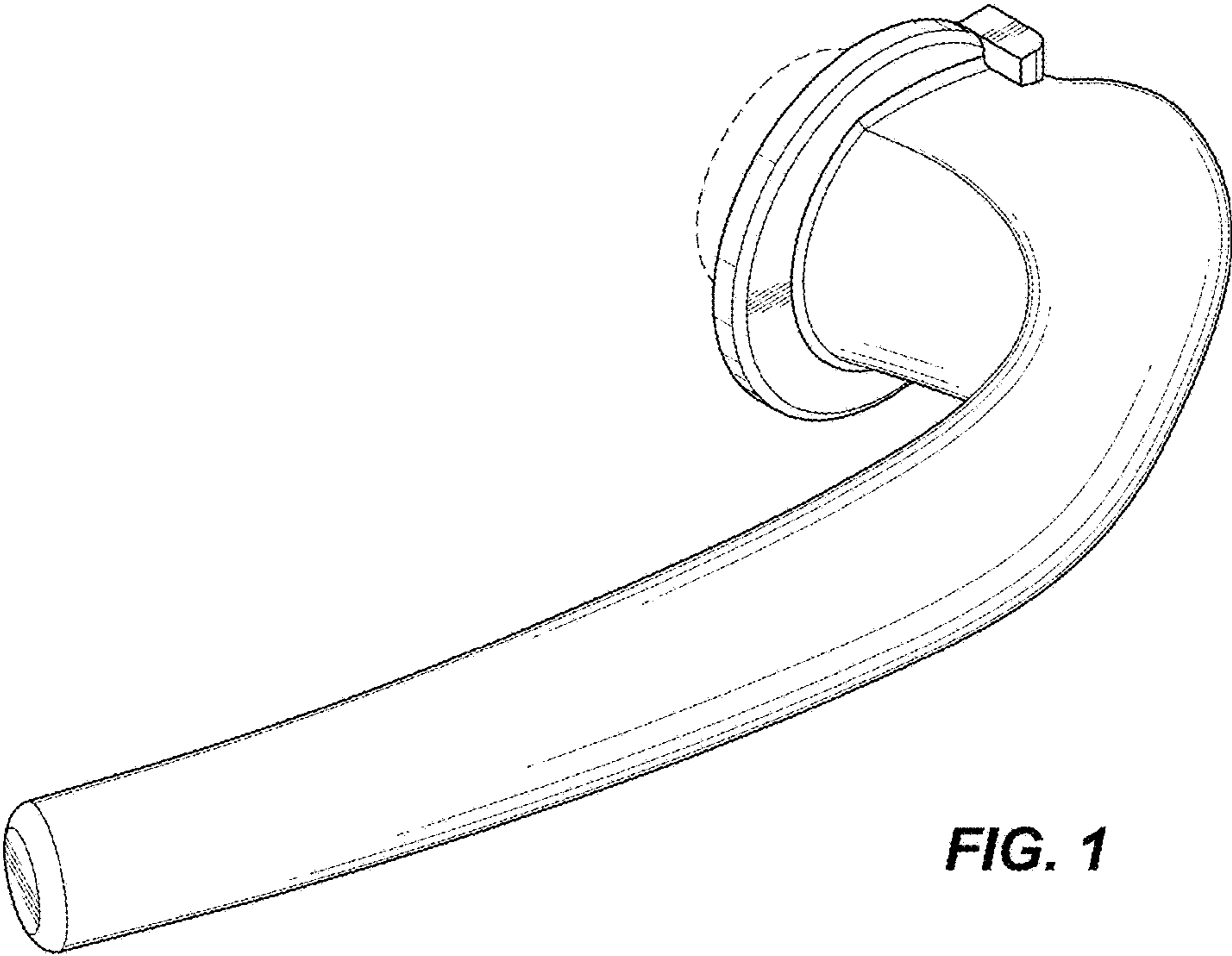


FIG. 1

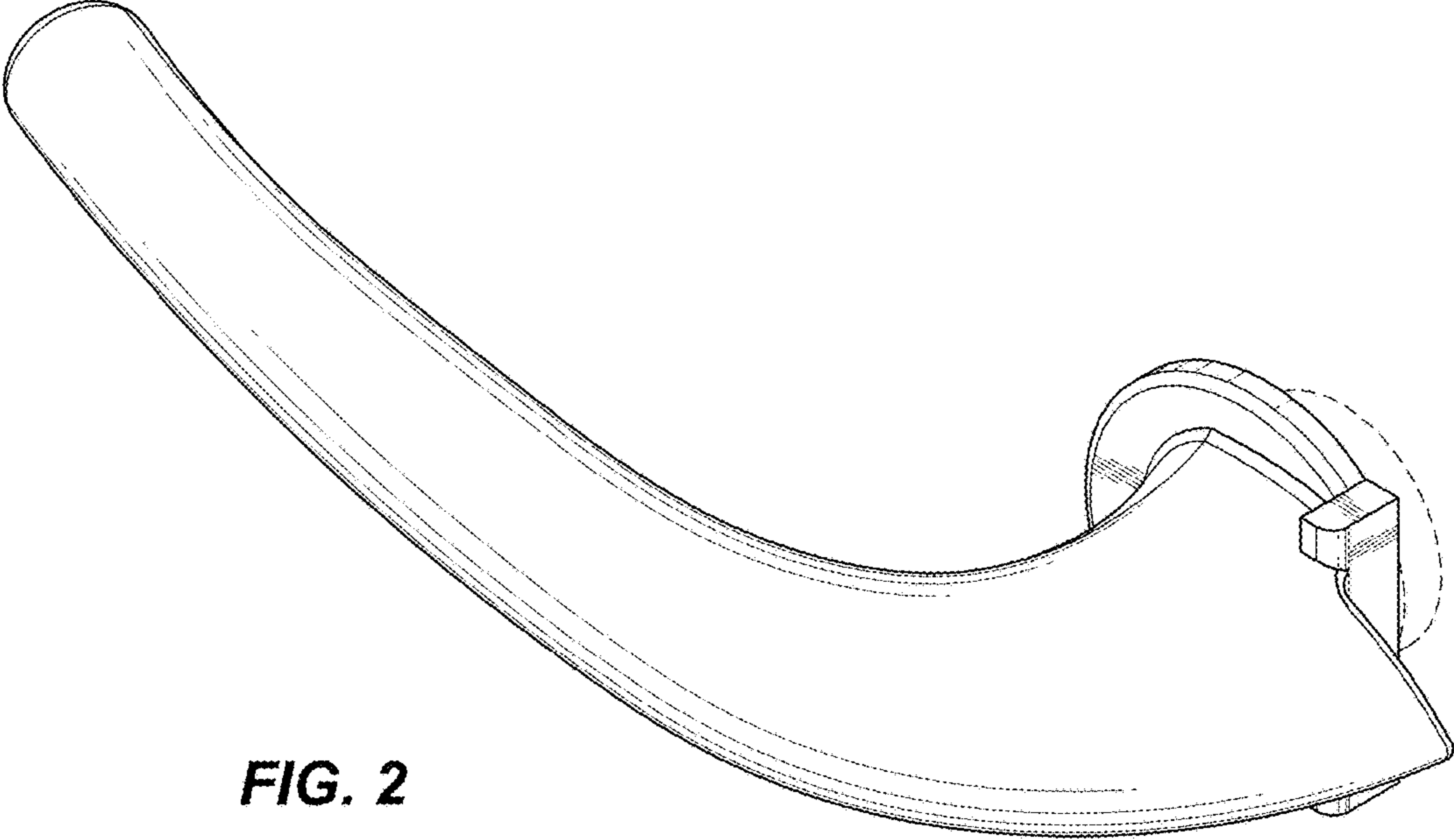


FIG. 2

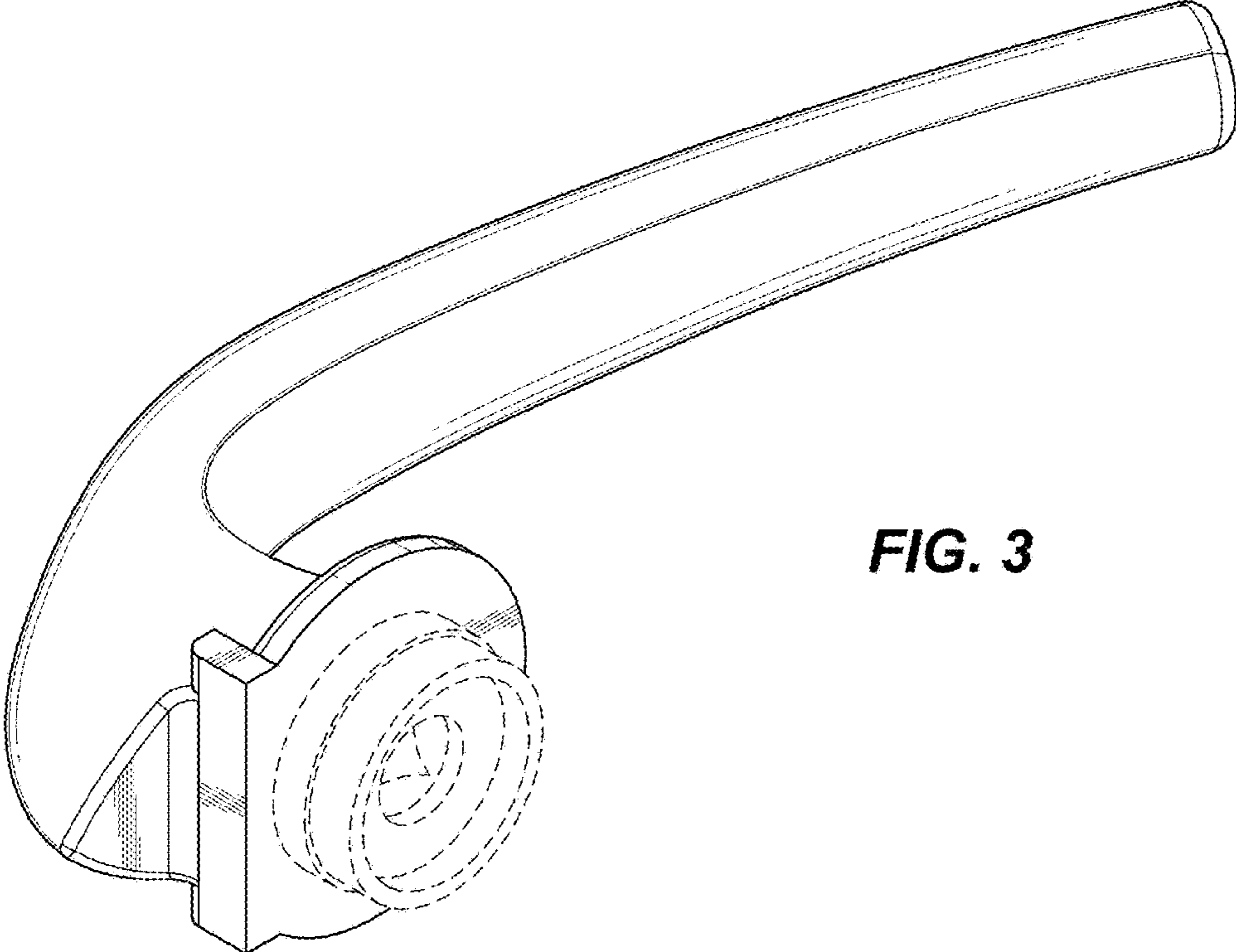


FIG. 3

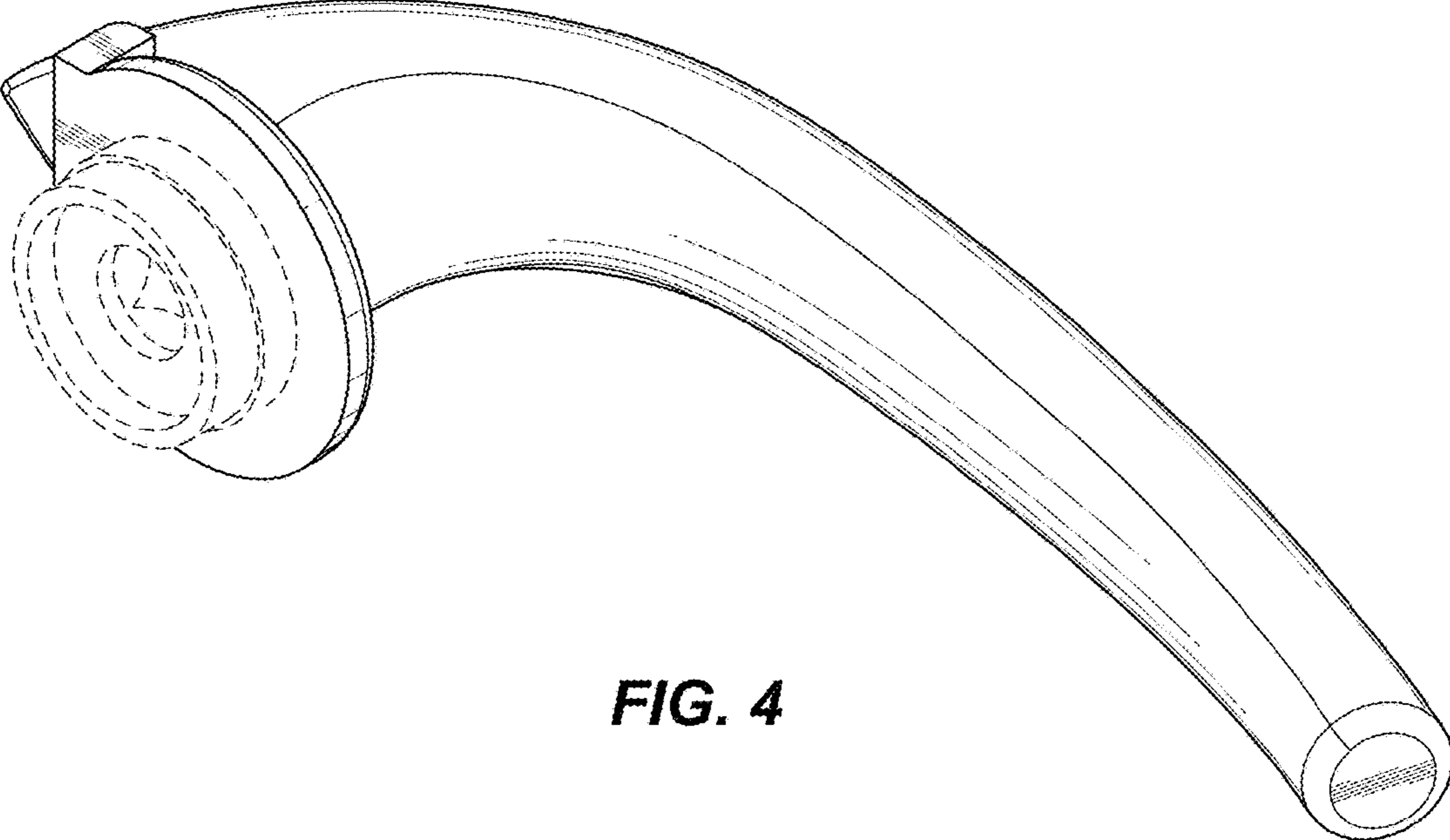


FIG. 4

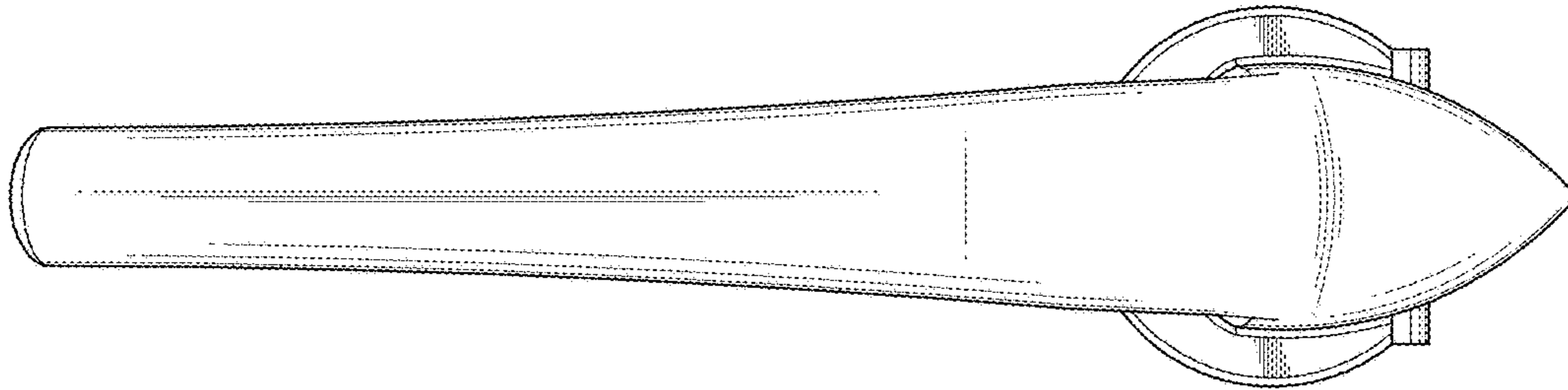


FIG. 5

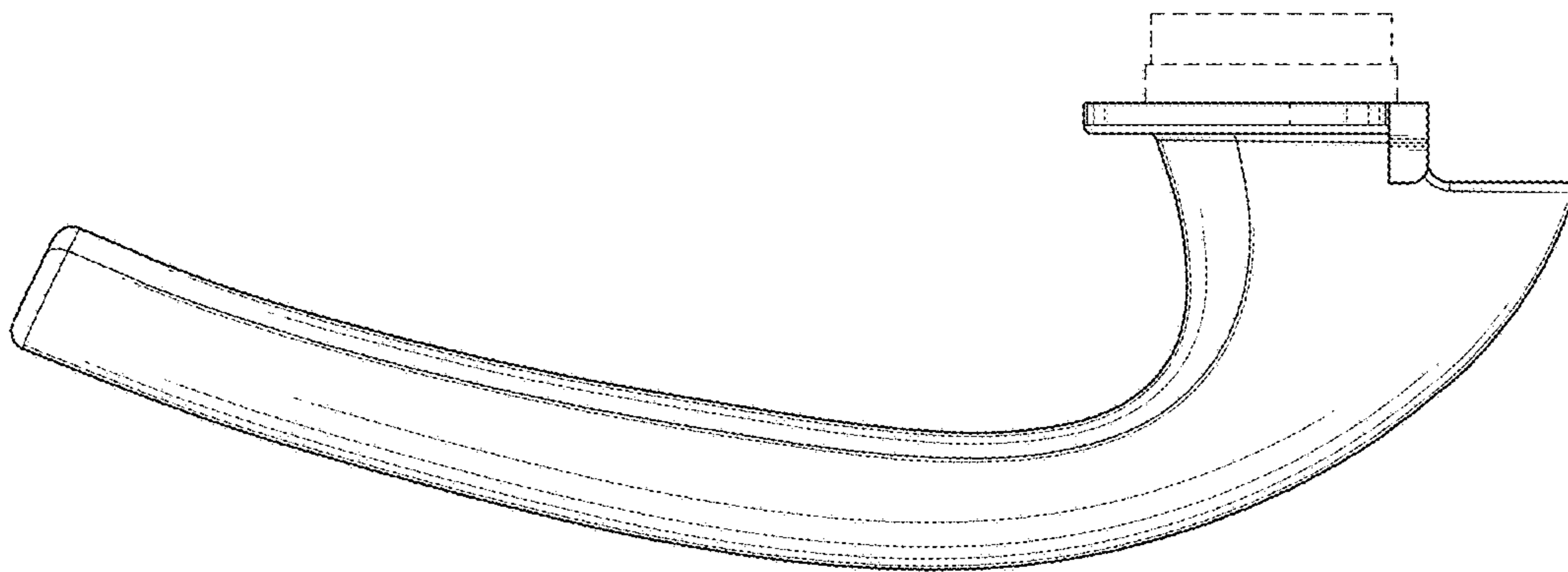


FIG. 6

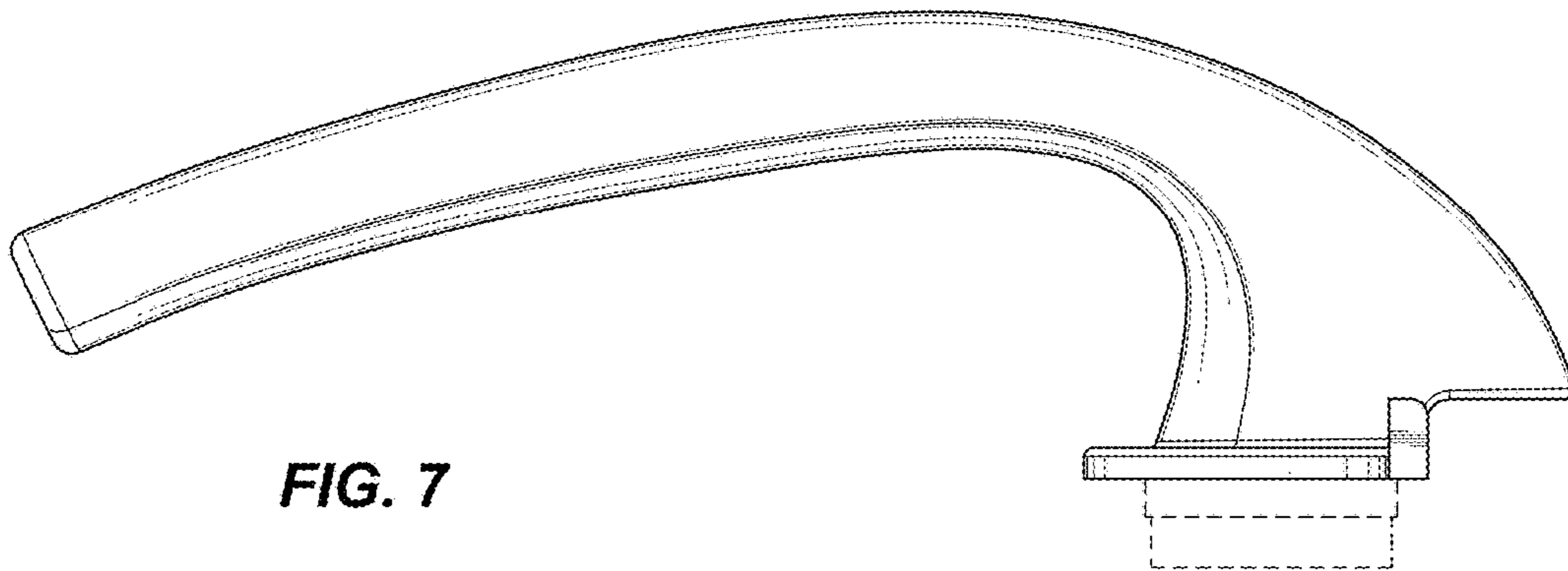


FIG. 7

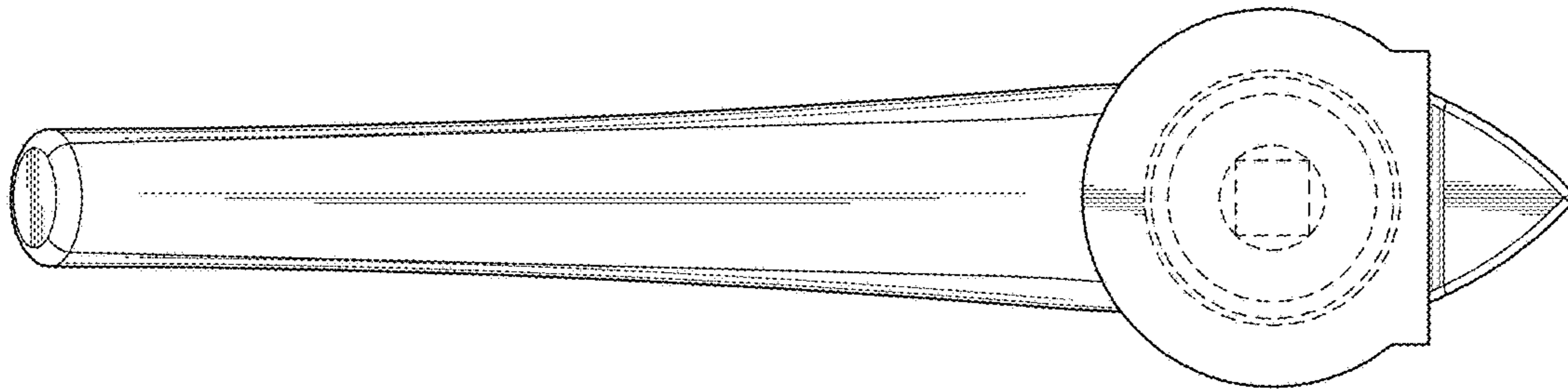


FIG. 8

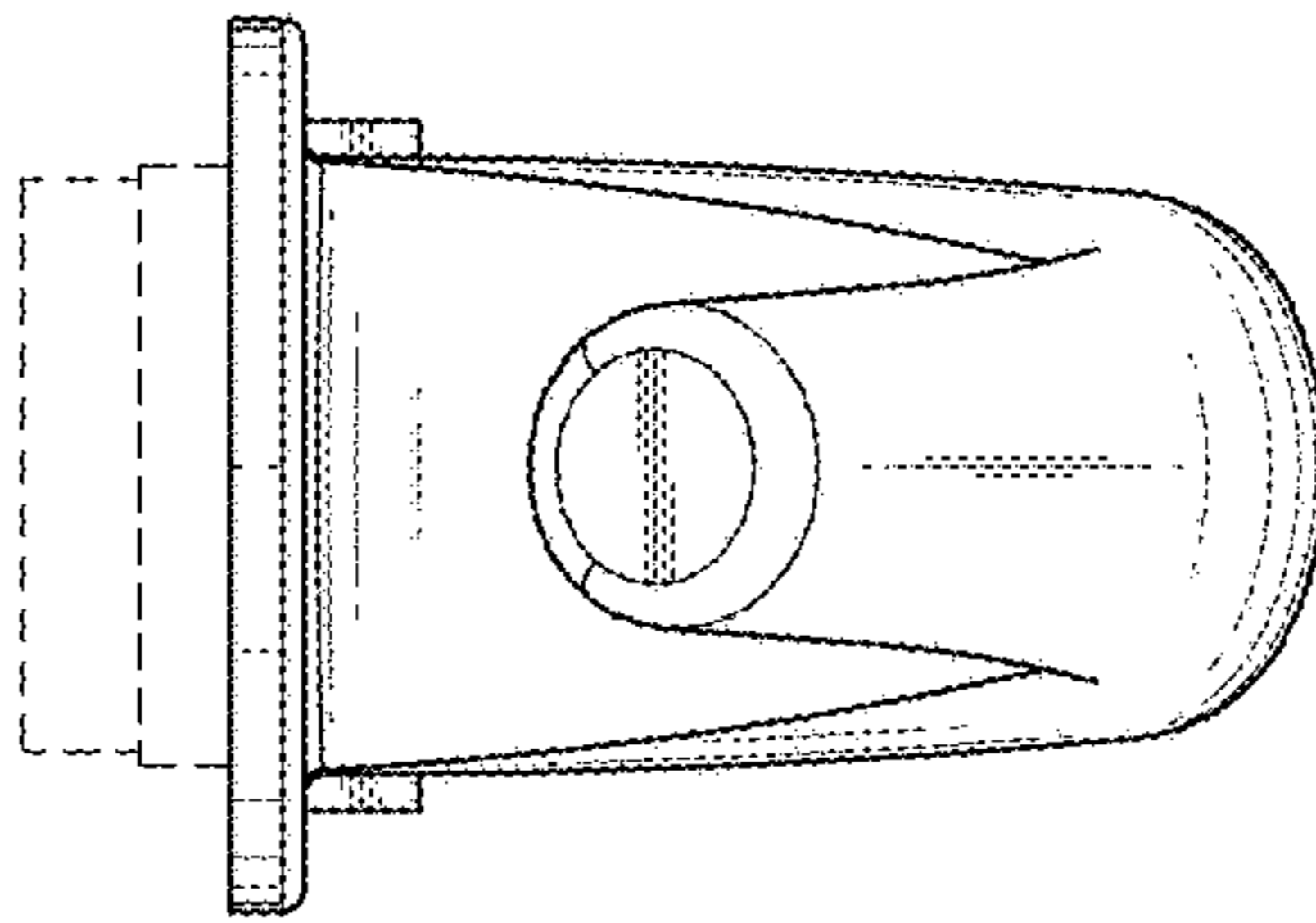


FIG. 9

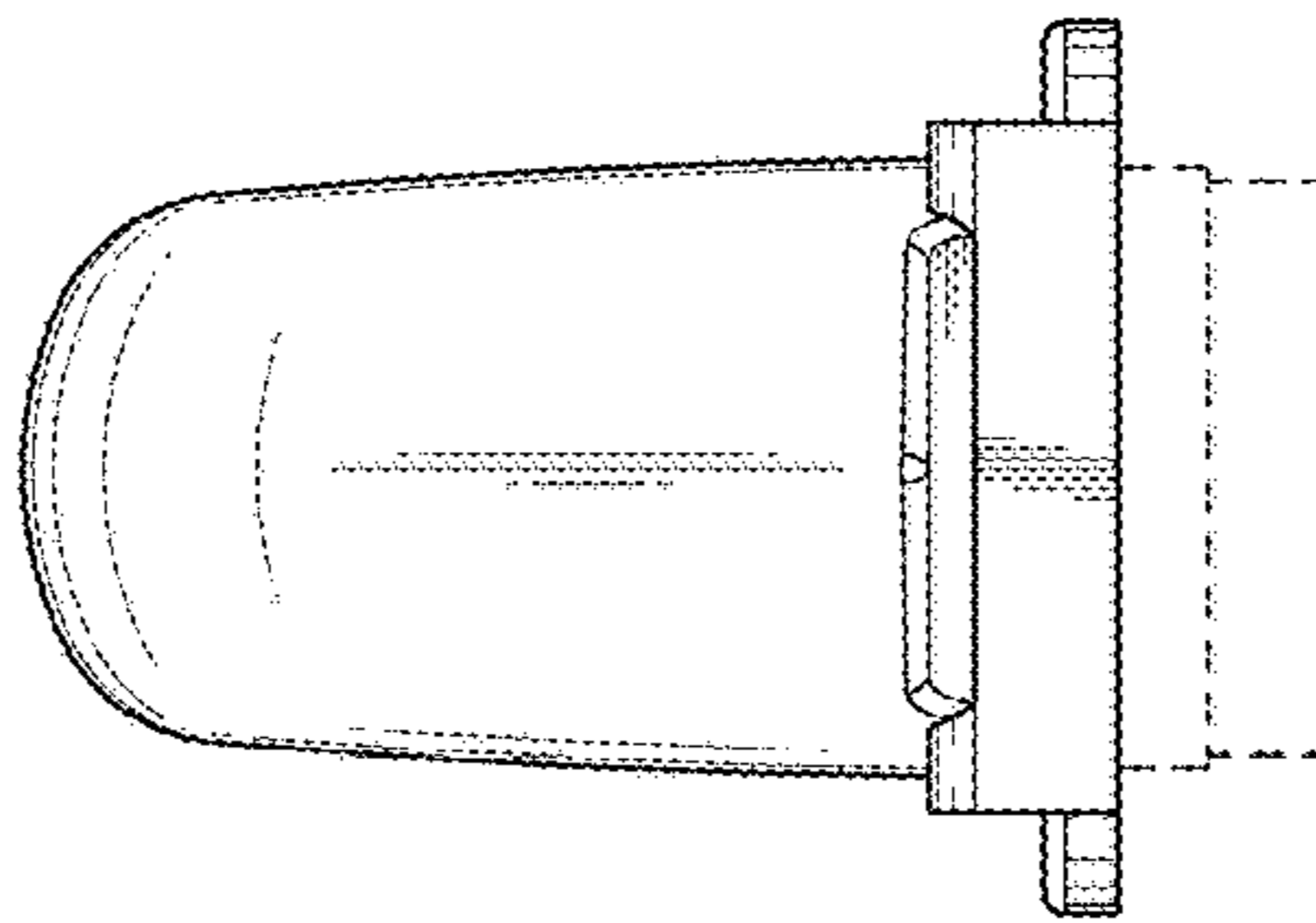


FIG. 10