



US00D828136S

(12) **United States Design Patent**  
**Bellamy**

(10) **Patent No.:** **US D828,136 S**

(45) **Date of Patent:** **\*\* \*Sep. 11, 2018**

- (54) **HEATED UTILITY KNIFE**
- (71) Applicant: **GRAND PRODUCTS, LLC,**  
Middlebury, IN (US)
- (72) Inventor: **Brandon Bellamy,** Warsaw, IN (US)
- (73) Assignee: **Grand Products, LLC,** Middlebury, IN  
(US)
- (\*) Notice: This patent is subject to a terminal disclaimer.
- (\*\*) Term: **14 Years**

D481,598 S *	11/2003	Lin	.....	D8/29.1
6,742,260 B1 *	6/2004	Hsu	.....	B26B 5/001 30/125
6,829,827 B2 *	12/2004	Tseng	.....	B26B 5/001 30/124
D587,553 S *	3/2009	Constantine	.....	D8/99
D594,309 S *	6/2009	Sugiura	.....	D8/99
D606,838 S *	12/2009	van Deursen	.....	D8/99
D624,386 S *	9/2010	van Deursen	.....	D8/99
D645,721 S *	9/2011	Wu	.....	D8/99
8,567,071 B2 *	10/2013	Strauss	.....	B26B 5/001 30/162
D705,033 S *	5/2014	Dahlberg	.....	D8/98
D731,870 S *	6/2015	Dahlberg	.....	D8/99

\* cited by examiner

*Primary Examiner* — Philip S Hyder

- (21) Appl. No.: **29/525,633**
- (22) Filed: **Apr. 30, 2015**
- (51) **LOC (11) Cl.** ..... **08-03**
- (52) **U.S. Cl.**  
USPC ..... **D8/99; D8/29.1**
- (58) **Field of Classification Search**  
USPC ..... D8/29.1, 29.2, 30, 98, 99, 107, 105;  
D15/144; 431/255; 30/162, 330, 331,  
30/333, 337, 339  
CPC ..... B26B 5/00; B26B 5/001; B26B 5/002;  
B26B 5/003; B26B 5/006; B23K 5/00  
See application file for complete search history.

(57) **CLAIM**

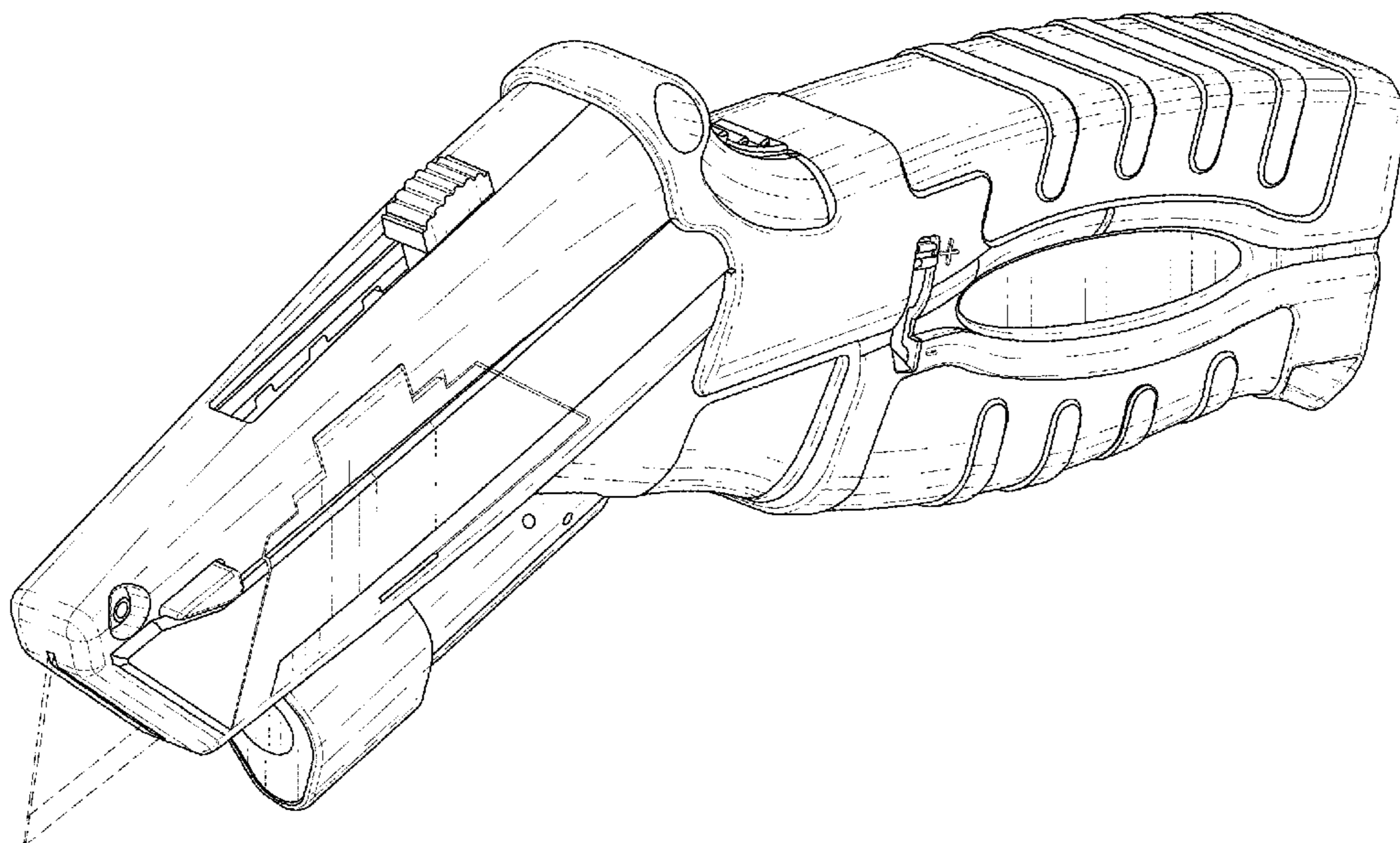
The ornamental design for a heated utility knife, as shown.

**DESCRIPTION**

FIG. 1 top, right and rear perspective view of a heated utility knife, showing my new design;  
 FIG. 2 is a top, right and front perspective view of the heated utility knife;  
 FIG. 3 is a right side view thereof;  
 FIG. 4 is a rear elevational view thereof;  
 FIG. 5 is a front view thereof;  
 FIG. 6 is a left side view thereof;  
 FIG. 7 is a top plan view thereof; and,  
 FIG. 8 is a bottom plan view thereof.

- (56) **References Cited**  
U.S. PATENT DOCUMENTS  
D420,270 S \* 2/2000 Martone ..... D8/99  
6,374,497 B1 \* 4/2002 Sun ..... B26B 5/001  
30/125

**1 Claim, 7 Drawing Sheets**



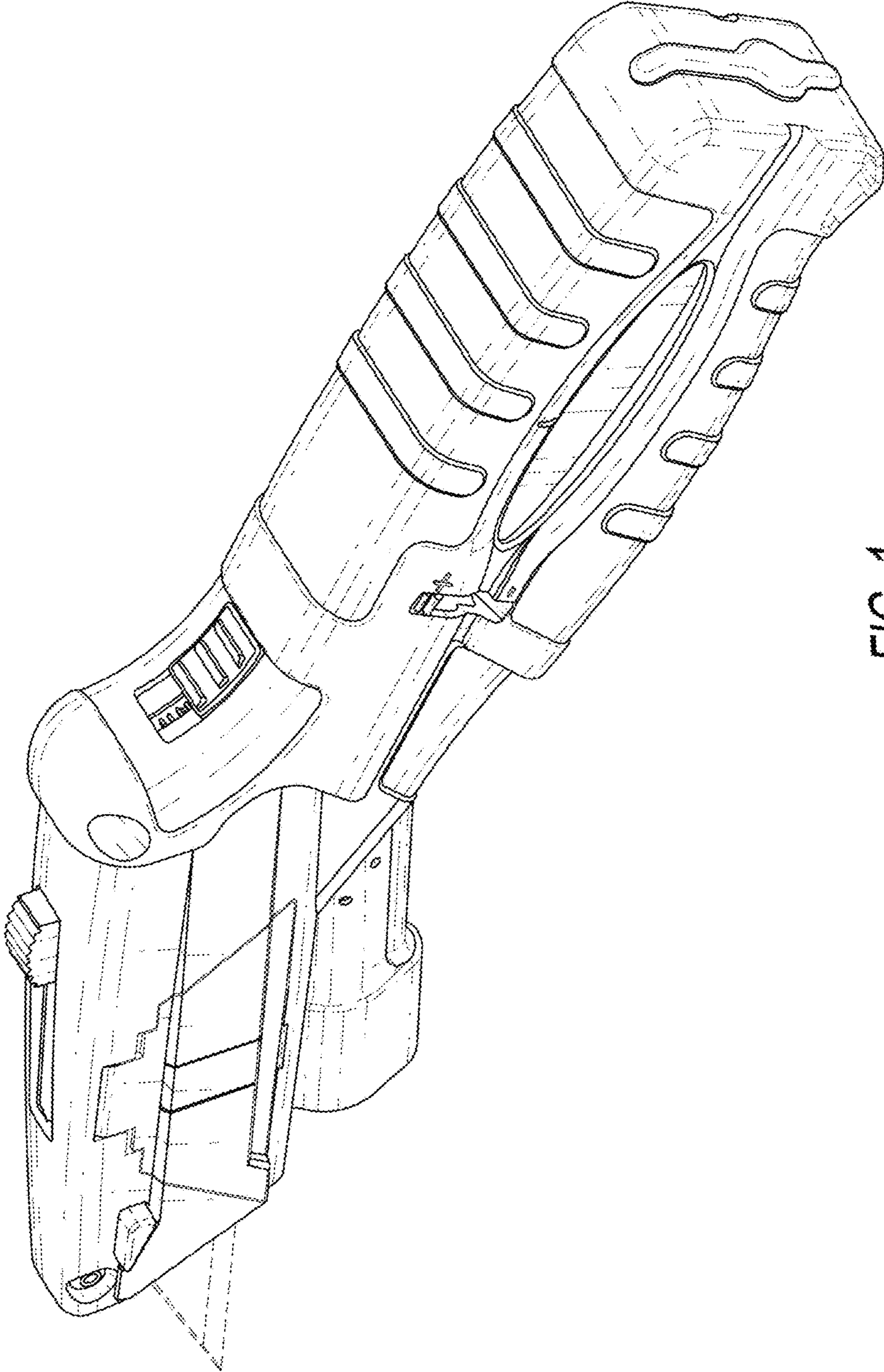


FIG. 1

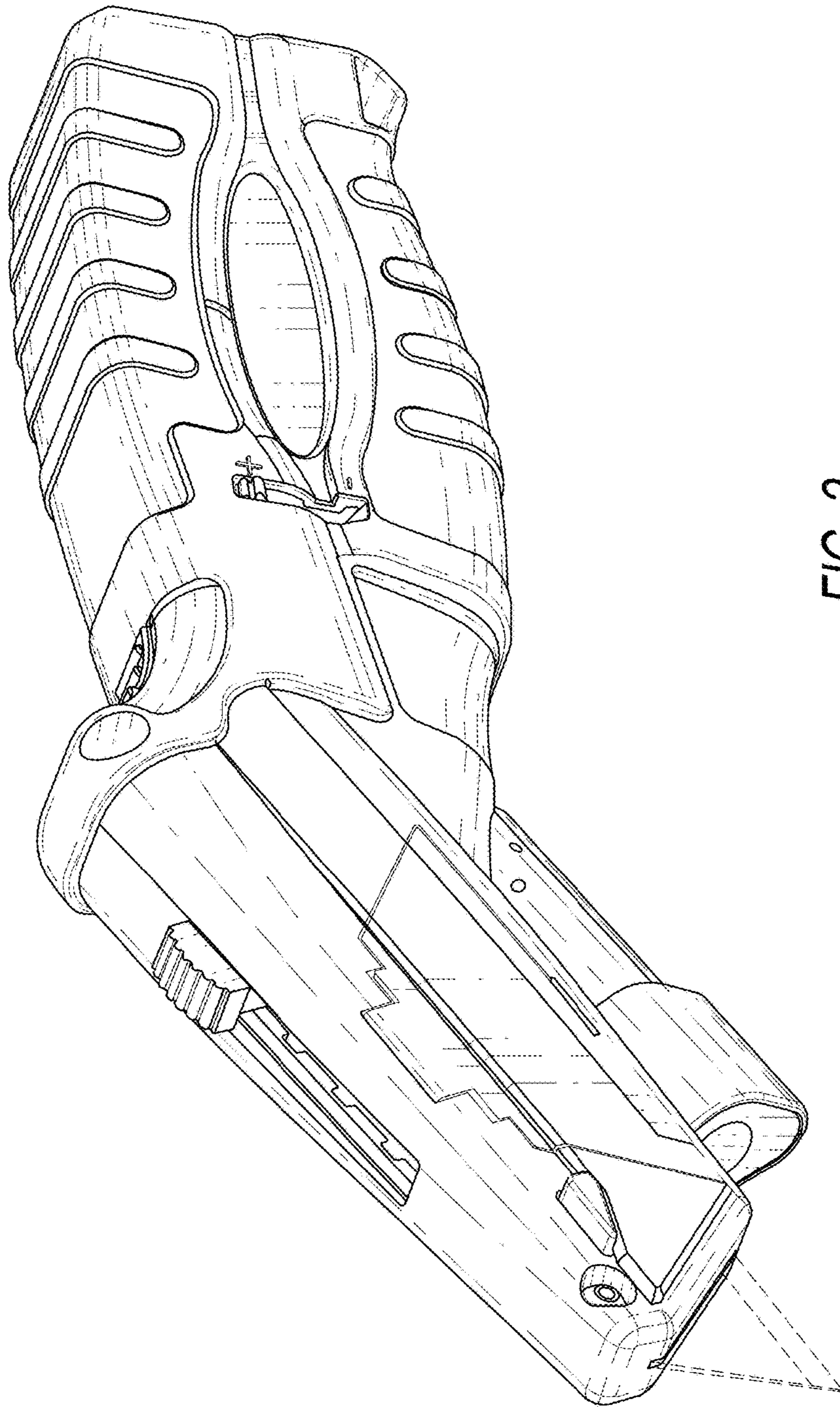


FIG. 2

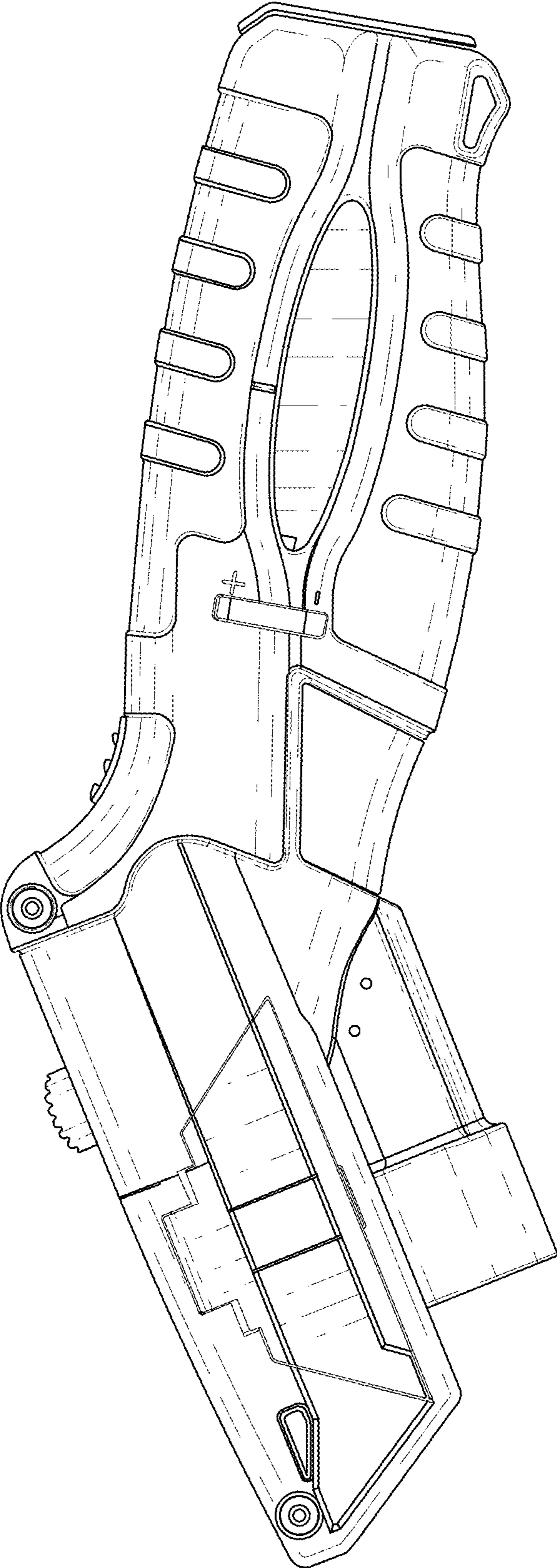


FIG. 3

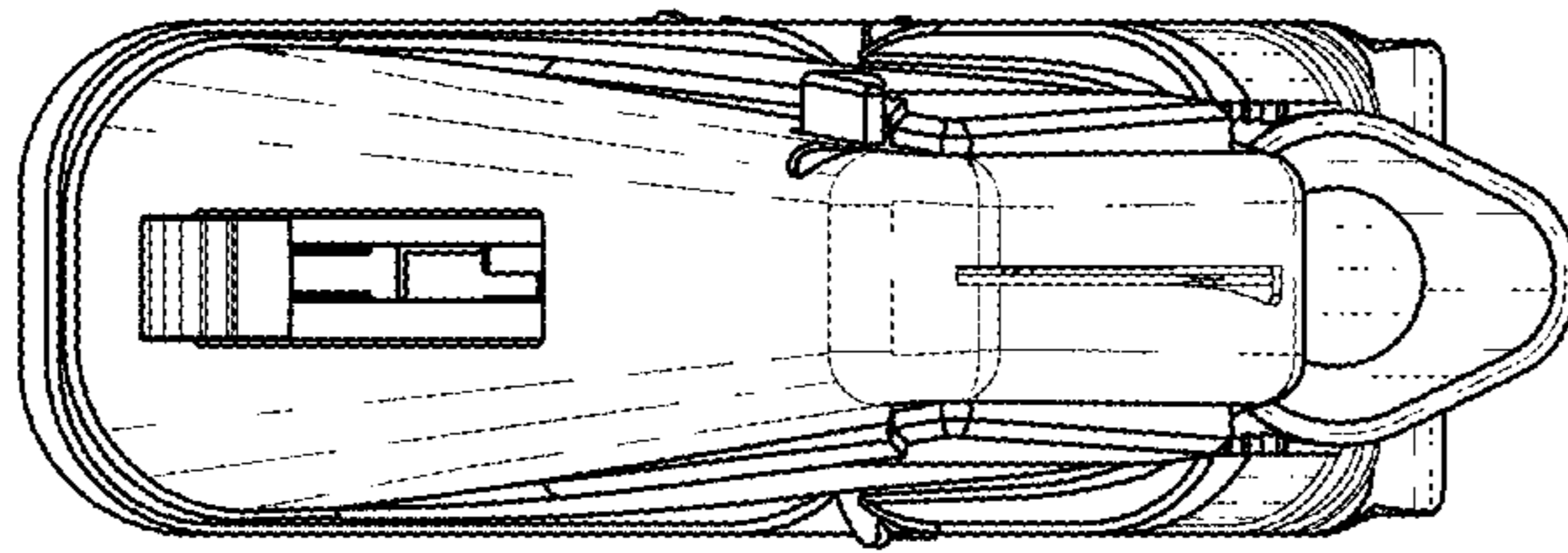


FIG. 5

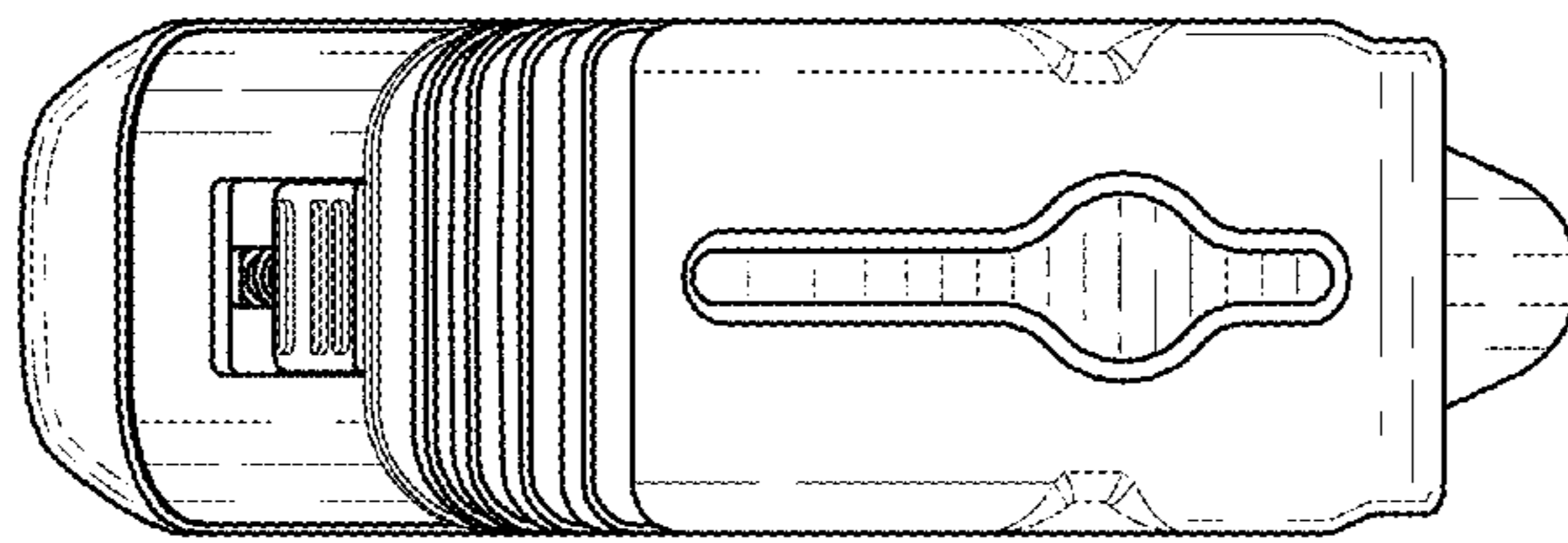


FIG. 4

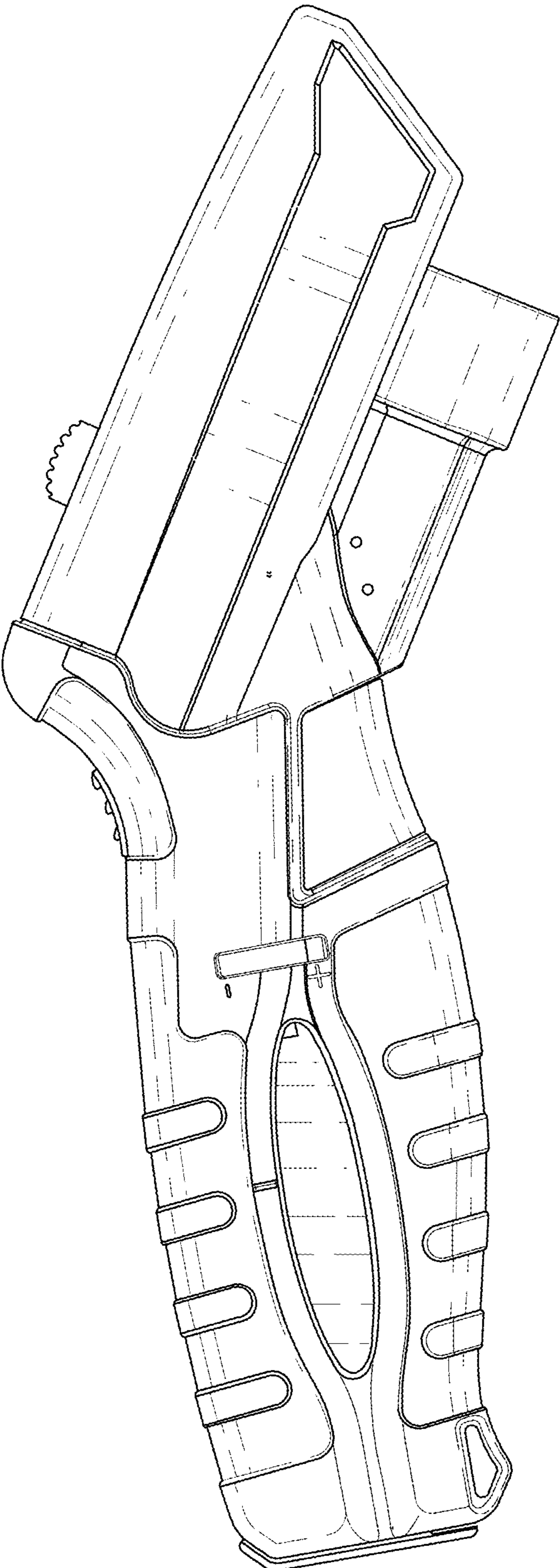


FIG. 6

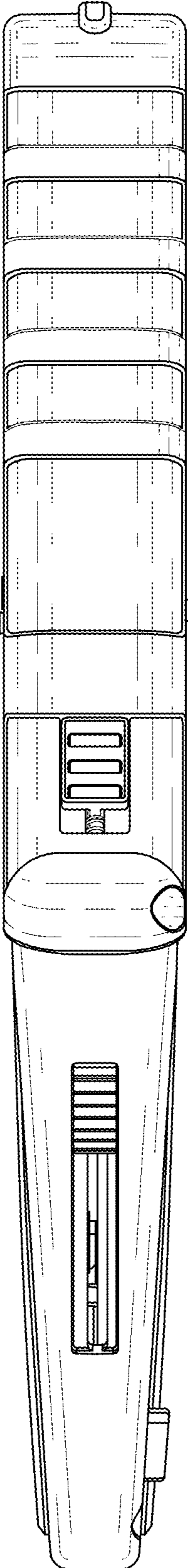


FIG. 7

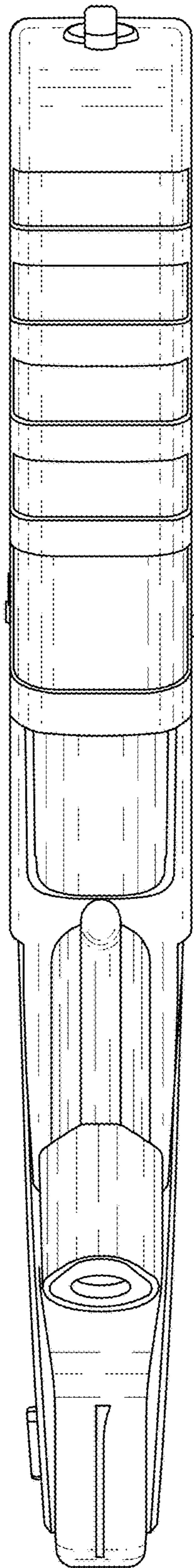


FIG. 8