



US00D828135S

(12) **United States Design Patent**
Callahan, Jr. et al.

(10) **Patent No.:** **US D828,135 S**

(45) **Date of Patent:** **** Sep. 11, 2018**

(54) **COMBINATION TOOL**

(71) Applicants: **John T. Callahan, Jr.**, Tewksbury, MA (US); **Dorothy A. Callahan**, Tewksbury, MA (US)

(72) Inventors: **John T. Callahan, Jr.**, Tewksbury, MA (US); **Dorothy A. Callahan**, Tewksbury, MA (US)

(**) Term: **15 Years**

(21) Appl. No.: **29/595,267**

(22) Filed: **Feb. 27, 2017**

Related U.S. Application Data

(63) Continuation-in-part of application No. 13/962,481, filed on Aug. 8, 2013.

(51) **LOC (11) Cl.** **08-02**

(52) **U.S. Cl.**
USPC **D8/81; D8/75**

(58) **Field of Classification Search**
USPC D8/75, 76, 77, 78, 79, 80, 81, 105, 14
CPC ... B25D 1/00; B25D 1/02; B25D 1/04; B25D 1/045; B25D 1/12; B25D 1/14; B25D 1/16; B25G 1/02; B25G 1/102; B25G 1/01; B25F 1/00; B66F 15/00
See application file for complete search history.

(56) **References Cited**

U.S. PATENT DOCUMENTS

2,884,969 A * 5/1959 Lay B25D 1/00
81/22
3,320,985 A * 5/1967 Maguire B25G 1/10
403/345

3,629,883 A * 12/1971 Norman B65B 69/0025
7/170
3,947,904 A 4/1976 Hayes
5,027,677 A 7/1991 Rallo
D327,405 S * 6/1992 Brinkman D8/75
D381,884 S * 8/1997 Spierer D8/75
D410,184 S * 5/1999 Bulcock D8/75
6,604,728 B1 8/2003 Boydon
D496,244 S * 9/2004 Boydon D8/75
7,051,390 B2 5/2006 van Beek
D598,726 S * 8/2009 Higgs D8/81
D653,926 S * 2/2012 Barnhart D8/81

* cited by examiner

Primary Examiner — Phillip S Hyder

(74) *Attorney, Agent, or Firm* — Cramer Patent & Design, PLLC; Aaron R. Cramer

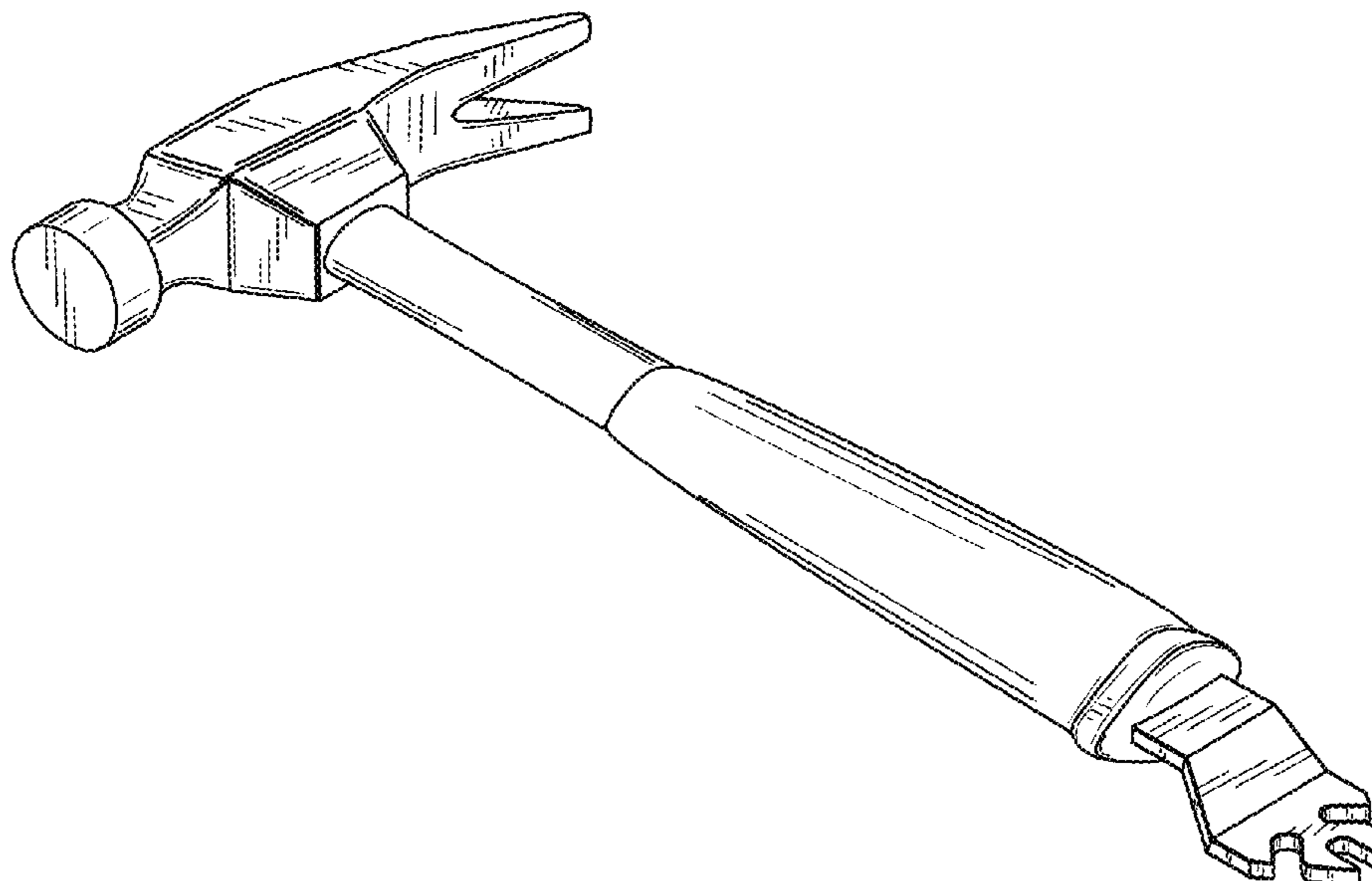
(57) **CLAIM**

The ornamental design for a combination tool, as shown and described.

DESCRIPTION

FIG. 1 is a perspective front left side view of a combination tool, showing our new design;
FIG. 2 is an enlarged top plan view thereof;
FIG. 3 is an enlarged bottom plan view thereof;
FIG. 4 is a rear side elevation view thereof;
FIG. 5 is a front side elevation view thereof;
FIG. 6 is a left side elevation view thereof; and,
FIG. 7 is a right side elevation view thereof.

1 Claim, 7 Drawing Sheets



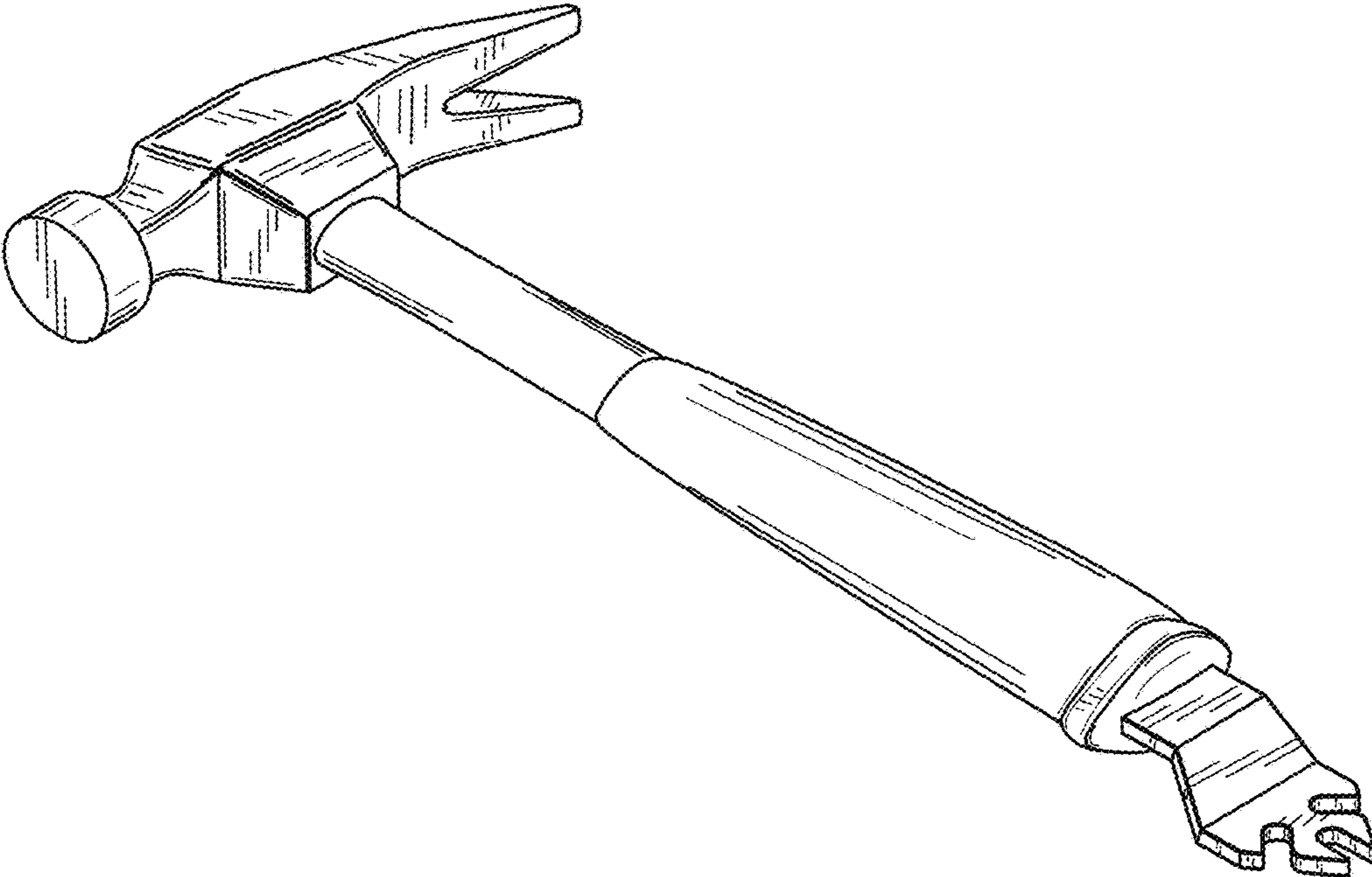


FIG. 1

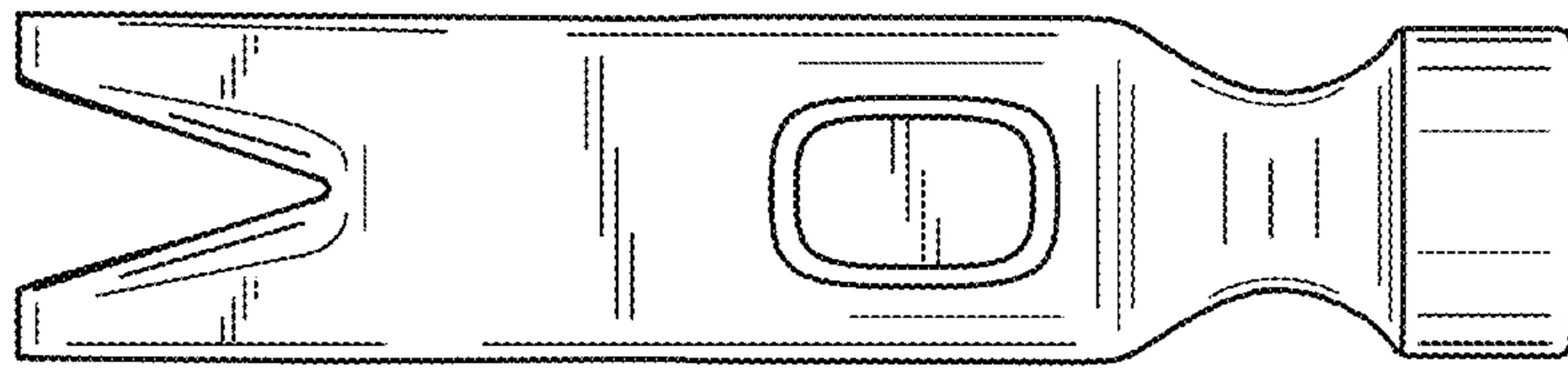


FIG. 2

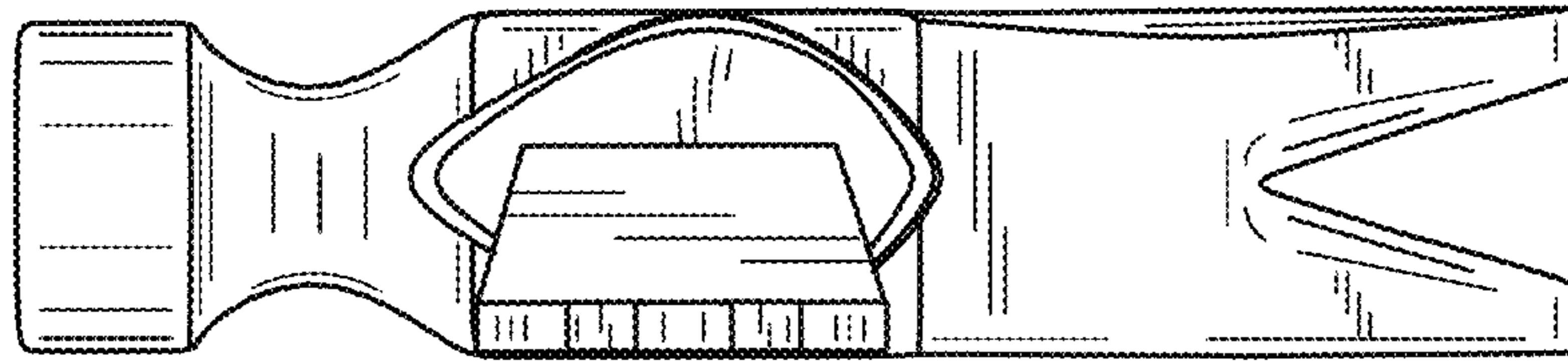


FIG. 3

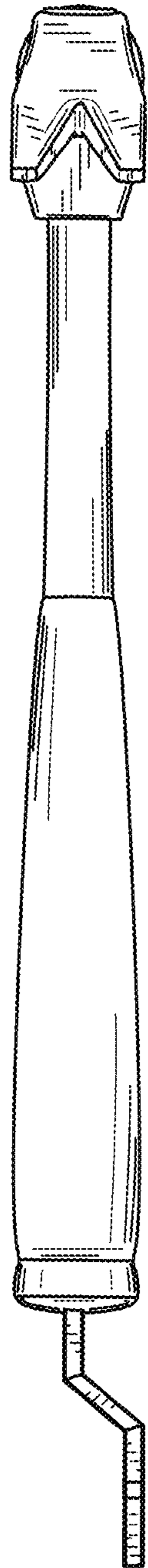


FIG. 4



FIG. 5

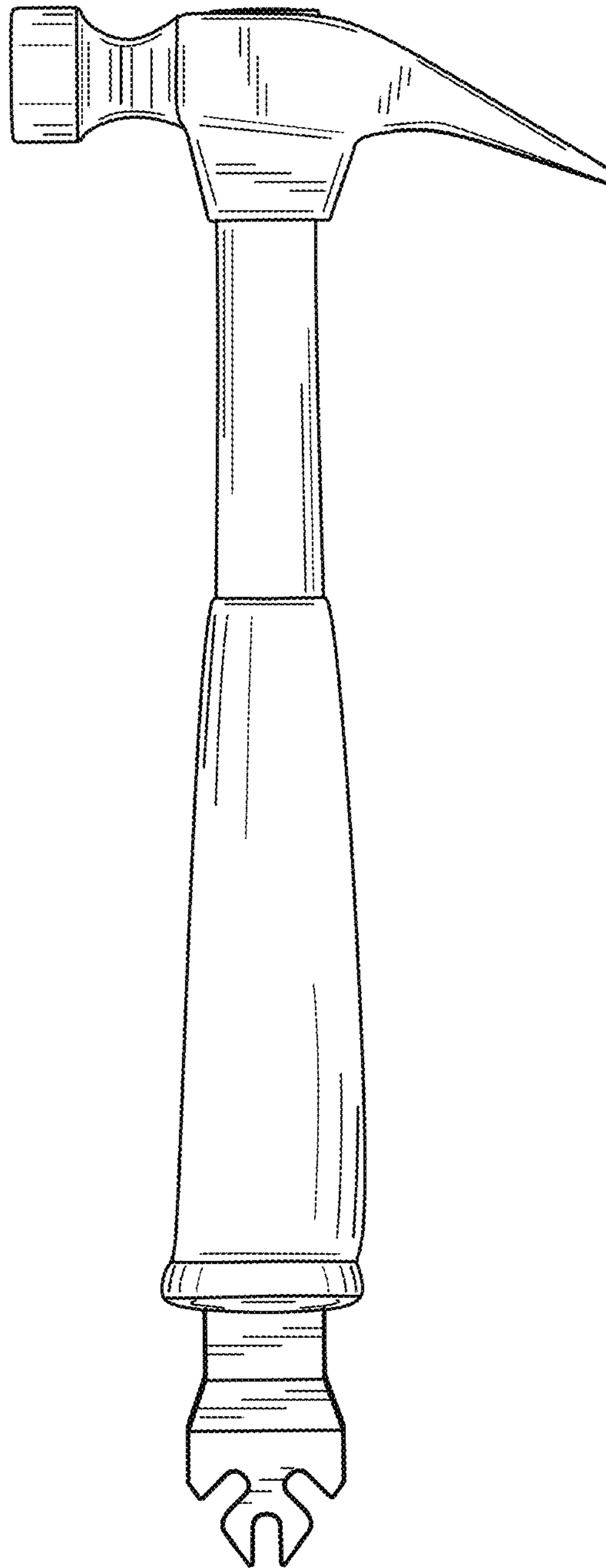


FIG. 6

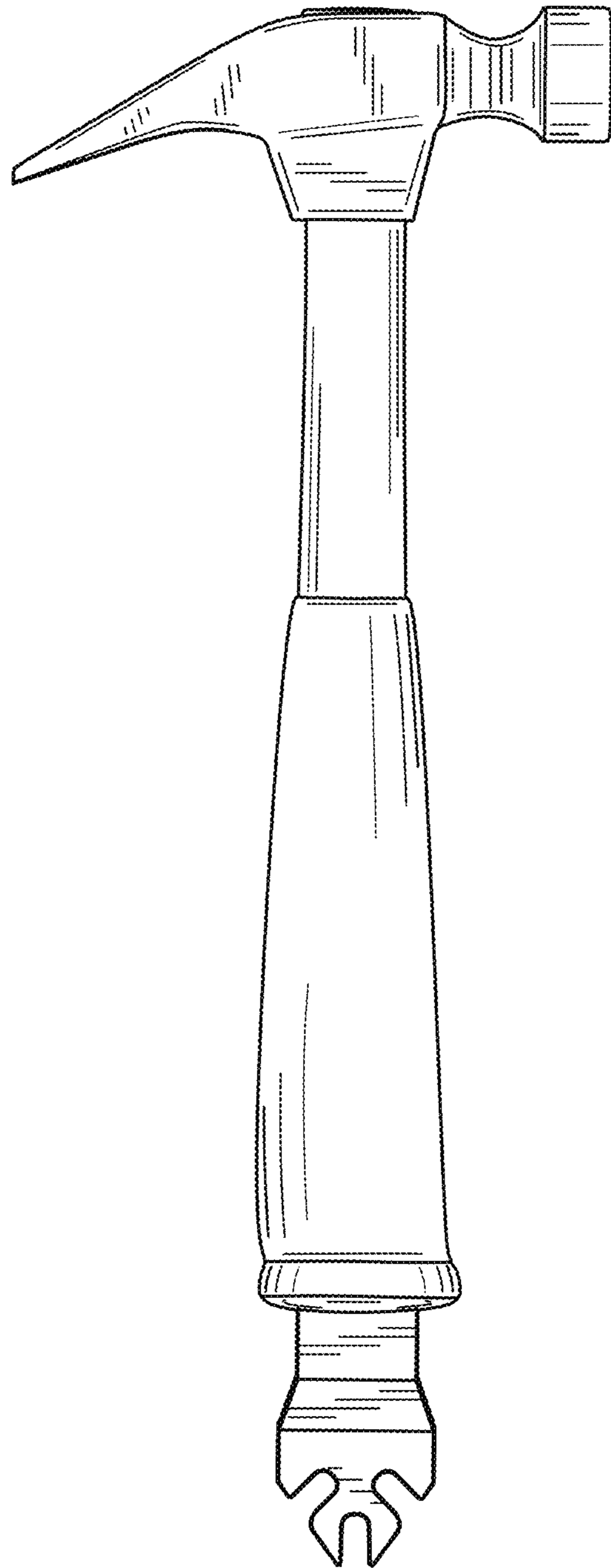


FIG. 7