

US00D828134S

(12) **United States Design Patent**  
**Gravina**

(10) **Patent No.:** **US D828,134 S**

(45) **Date of Patent:** **\*\* Sep. 11, 2018**

- (54) **MAGNETIC DISC FOR DRILL**
- (71) Applicant: **Andrew Gravina**, Dumont, NJ (US)
- (72) Inventor: **Andrew Gravina**, Dumont, NJ (US)
- (\*\*) Term: **15 Years**
- (21) Appl. No.: **29/577,564**
- (22) Filed: **Sep. 14, 2016**
- (51) **LOC (11) Cl.** ..... **08-05**
- (52) **U.S. Cl.**  
USPC ..... **D8/70**
- (58) **Field of Classification Search**  
USPC ..... D8/70, 71, 74, 354; D15/140, 143, 147  
CPC ..... B25F 5/021; B25F 5/029; B27C 5/10  
See application file for complete search history.

7,097,144 B2 \* 8/2006 Kohno ..... A47G 25/0607  
223/85  
D651,271 S \* 12/2011 Edelman ..... D21/791  
D710,174 S \* 8/2014 Moss ..... D8/70  
D710,175 S \* 8/2014 Moss ..... D8/70  
D710,176 S \* 8/2014 Santamarina ..... D8/70

\* cited by examiner

*Primary Examiner* — Darlington Ly  
(74) *Attorney, Agent, or Firm* — Michael J. Feigin, Esq.;  
Feigin and Fridman

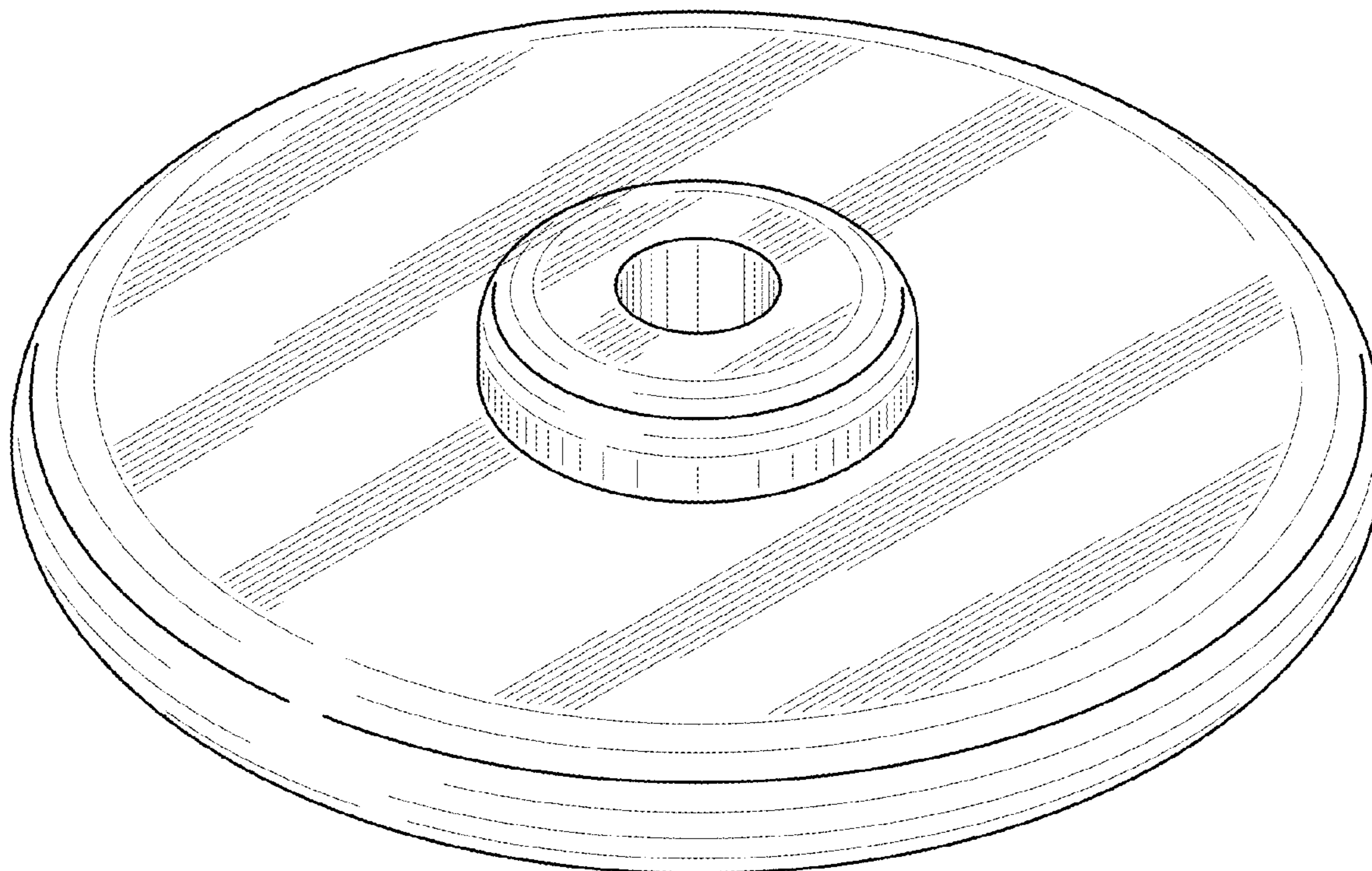
(57) **CLAIM**  
The ornamental design for a magnetic disc for drill, as shown and described.

**DESCRIPTION**

FIG. 1 is a top, front, and right side perspective view of a magnetic disc for drill showing my new design;  
FIG. 2 is a bottom, front, and right side perspective view thereof;  
FIG. 3 is a front elevation view thereof, to which the rear elevation view is a mirror image thereof;  
FIG. 4 is a right side elevation view thereof; and,  
FIG. 5 is a left side elevation view thereof.

**1 Claim, 4 Drawing Sheets**

- (56) **References Cited**  
U.S. PATENT DOCUMENTS  
D229,698 S \* 12/1973 Kretzer ..... D9/741  
D337,994 S \* 8/1993 Herrera ..... D13/183  
D412,711 S \* 8/1999 Bruns ..... D15/29  
D438,255 S \* 2/2001 Trusi ..... D19/86



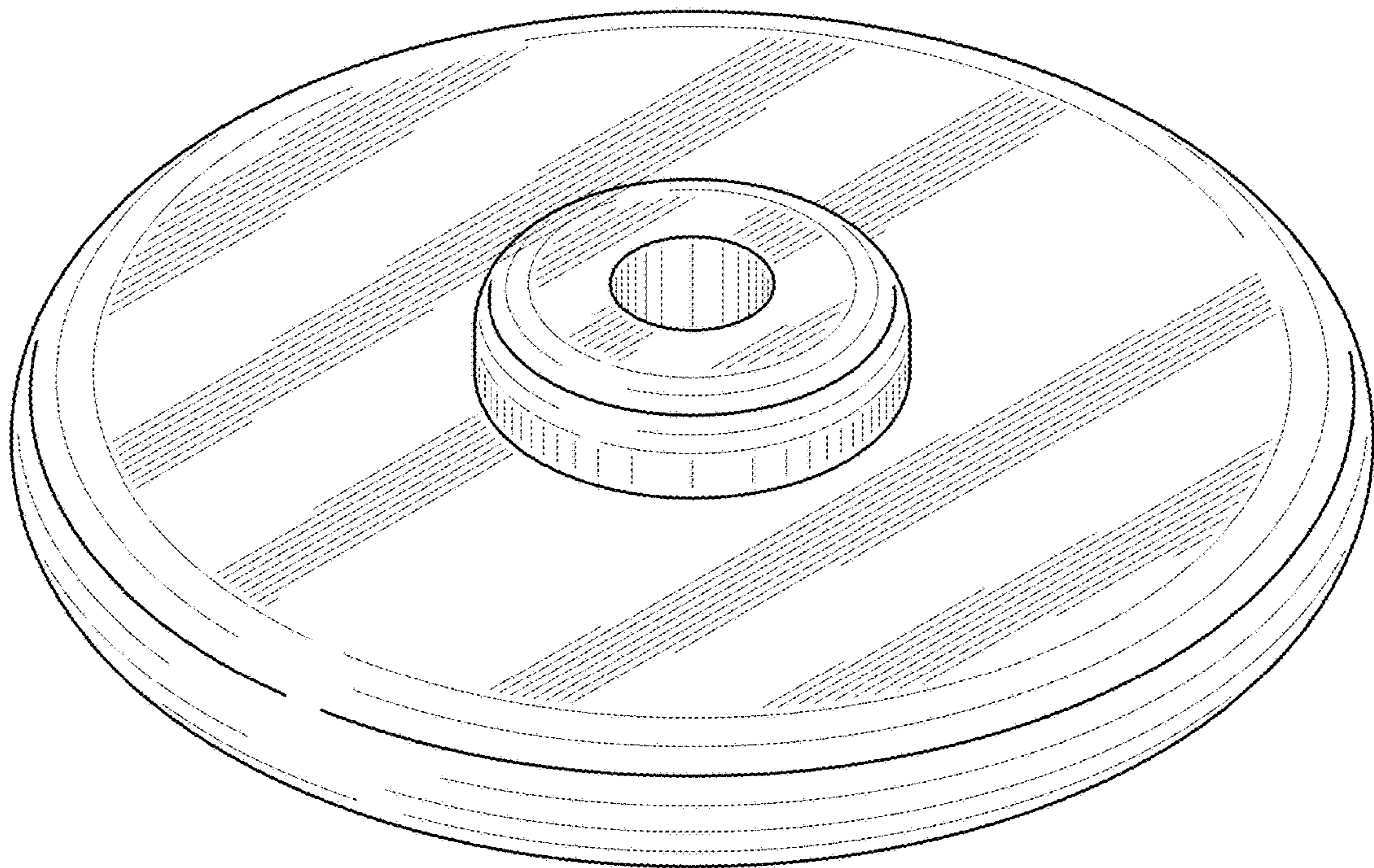


FIG. 1

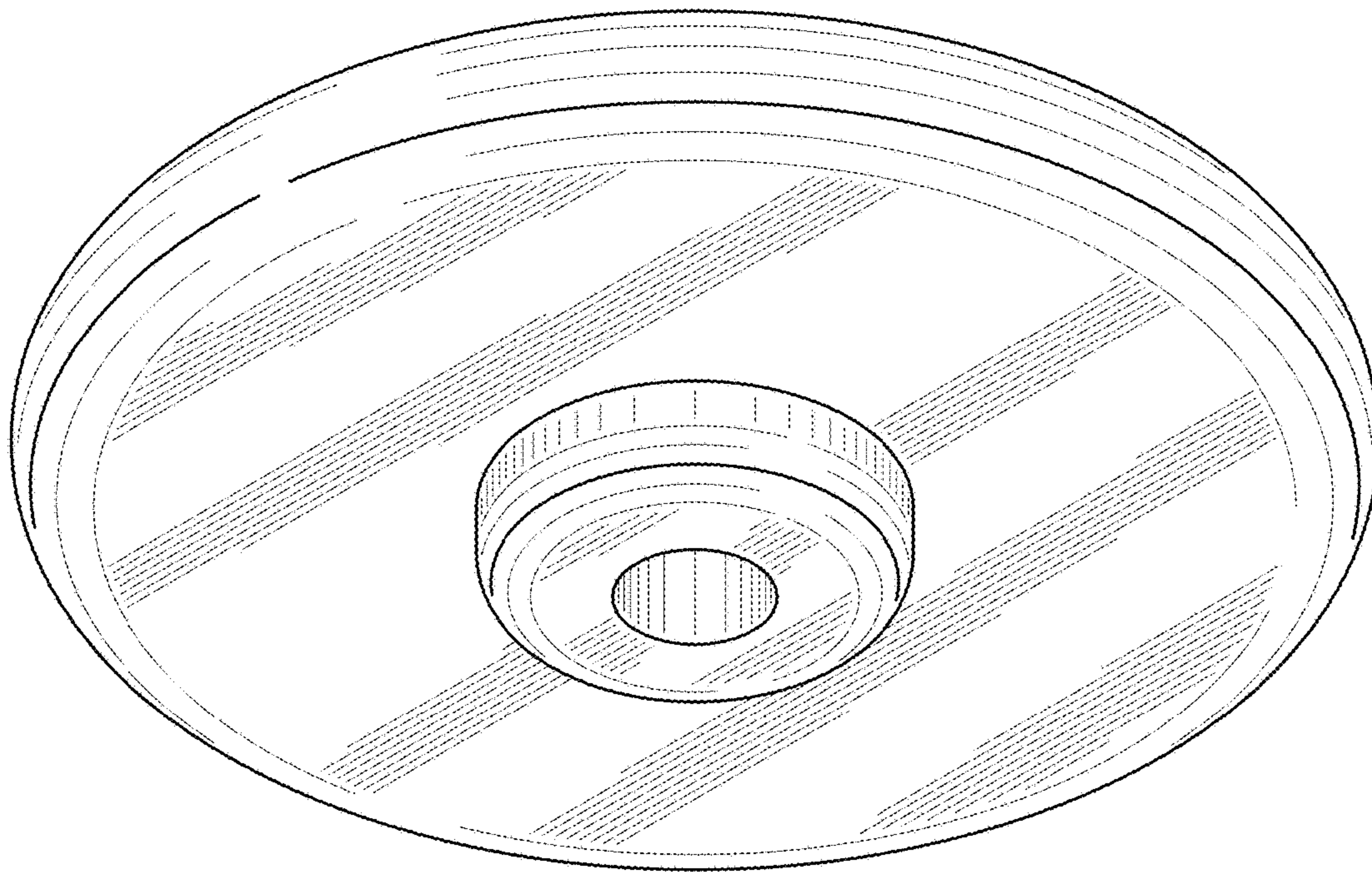


FIG. 2

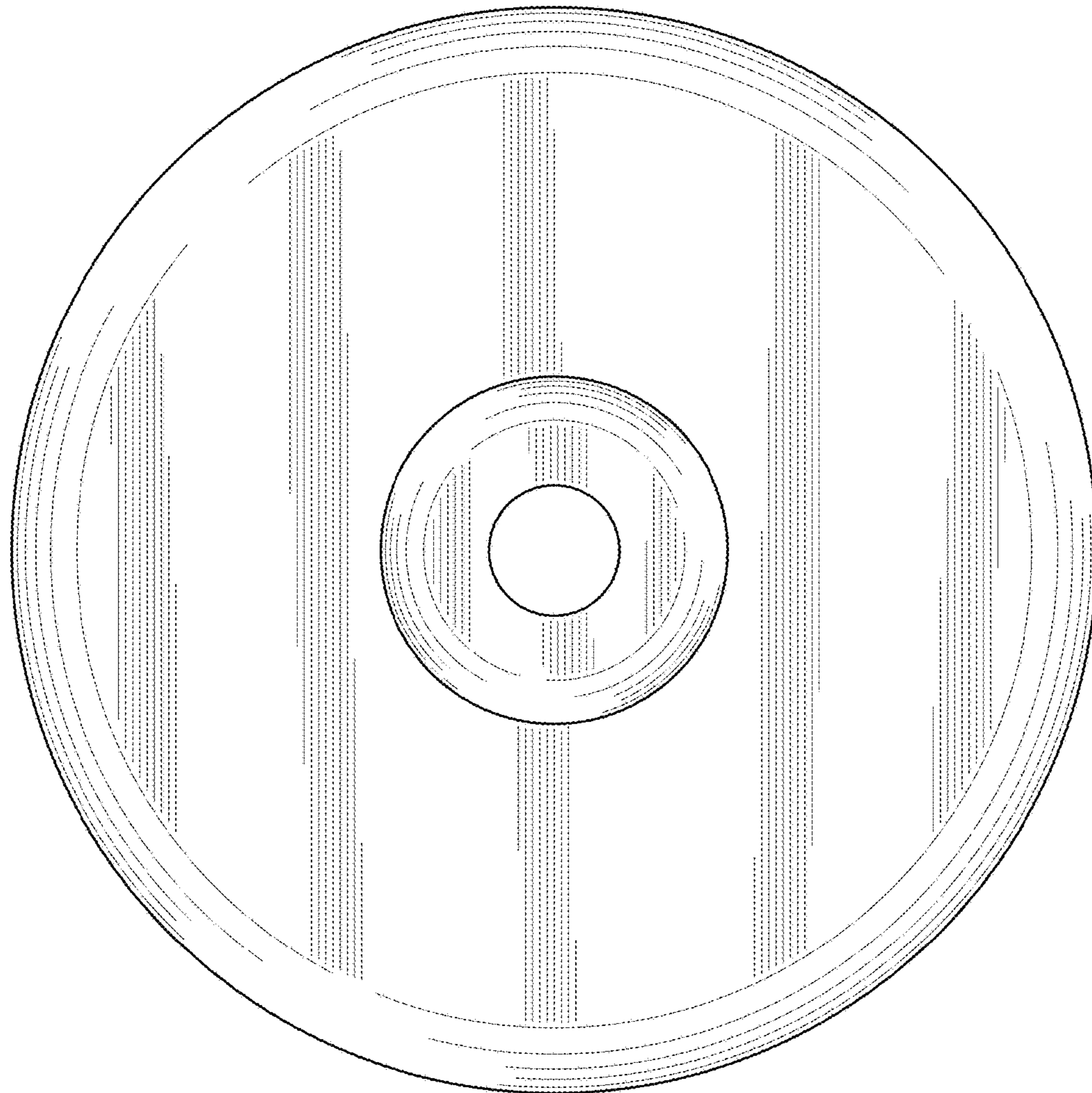


FIG. 3

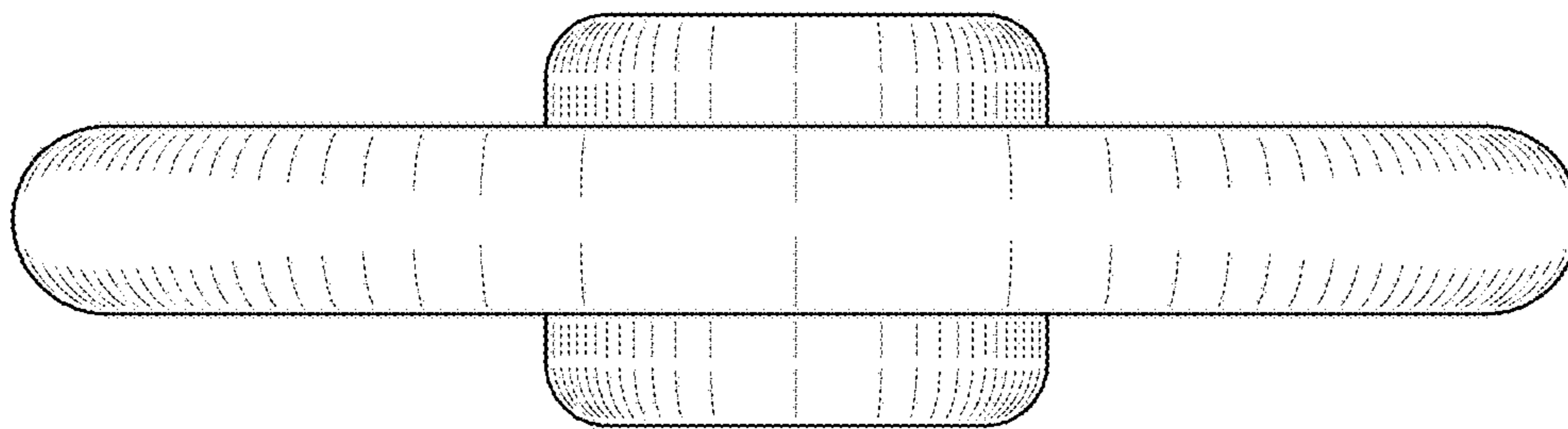


FIG. 4

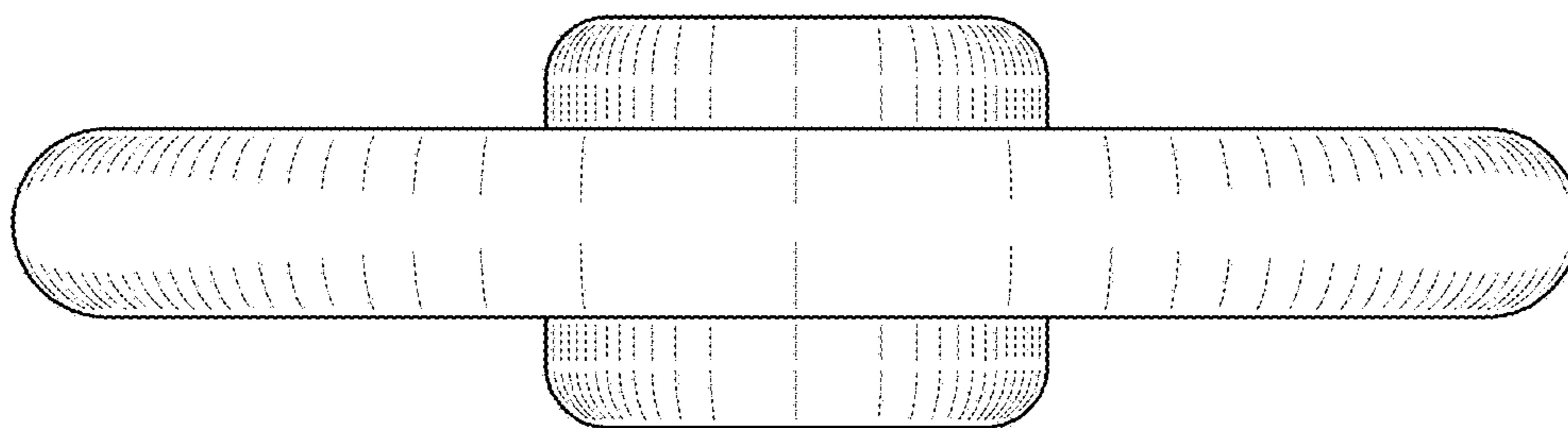


FIG. 5