



US00D828133S

(12) **United States Design Patent** (10) **Patent No.:** **US D828,133 S**
Constantine (45) **Date of Patent:** **** Sep. 11, 2018**

(54) **SCISSORS**
(71) Applicant: **ACME UNITED CORPORATION**,
Fairfield, CT (US)
(72) Inventor: **Richard S. Constantine**, Monroe, CT
(US)
(73) Assignee: **ACME UNITED CORPORATION**,
Fairfield, CT (US)
(**) Term: **15 Years**
(21) Appl. No.: **29/624,038**
(22) Filed: **Oct. 30, 2017**
(51) **LOC (11) Cl.** **08-03**
(52) **U.S. Cl.**
USPC **D8/57**
(58) **Field of Classification Search**
USPC D8/4, 5, 51-58
CPC B26B 13/10; B26B 13/20; B26B 13/12;
B26B 13/06; B26B 13/04
See application file for complete search history.

D523,714 S * 6/2006 Peterson D8/57
D614,008 S * 4/2010 Hyp D8/57
D680,838 S * 4/2013 Bhasin D8/57
D680,840 S * 4/2013 Bhasin D8/57
D724,918 S * 3/2015 Constantine D8/57
D789,758 S * 6/2017 Scimone D8/57
2015/0157350 A1* 6/2015 Graham A61B 17/3201
606/174

* cited by examiner

Primary Examiner — Deanna L Pratt

(74) *Attorney, Agent, or Firm* — Bond Schoeneck &
King, PLLC

(57) **CLAIM**

The ornamental design for scissors, as shown and described.

DESCRIPTION

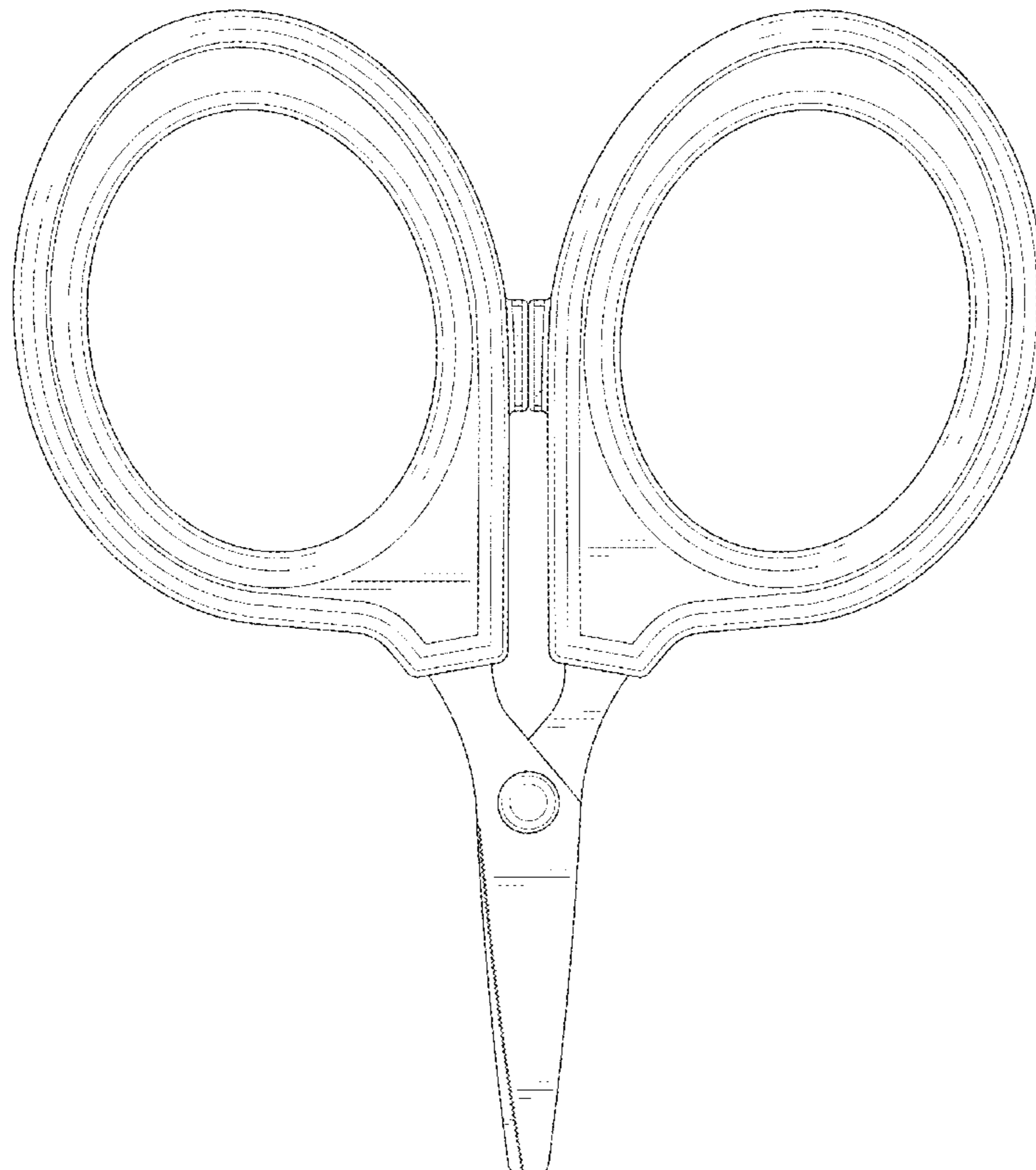
FIG. 1 is a first perspective view of a new and ornamental design for scissors;
FIG. 2 is a front elevation view thereof;
FIG. 3 is a rear elevation view thereof;
FIG. 4 is a first side elevation view thereof;
FIG. 5 is a second side elevation view thereof;
FIG. 6 is a top plan view thereof; and,
FIG. 7 is a bottom plan view thereof.

(56) **References Cited**

U.S. PATENT DOCUMENTS

D285,167 S * 8/1986 Porat D8/57
D295,894 S * 5/1988 Sharkany D24/148

1 Claim, 5 Drawing Sheets



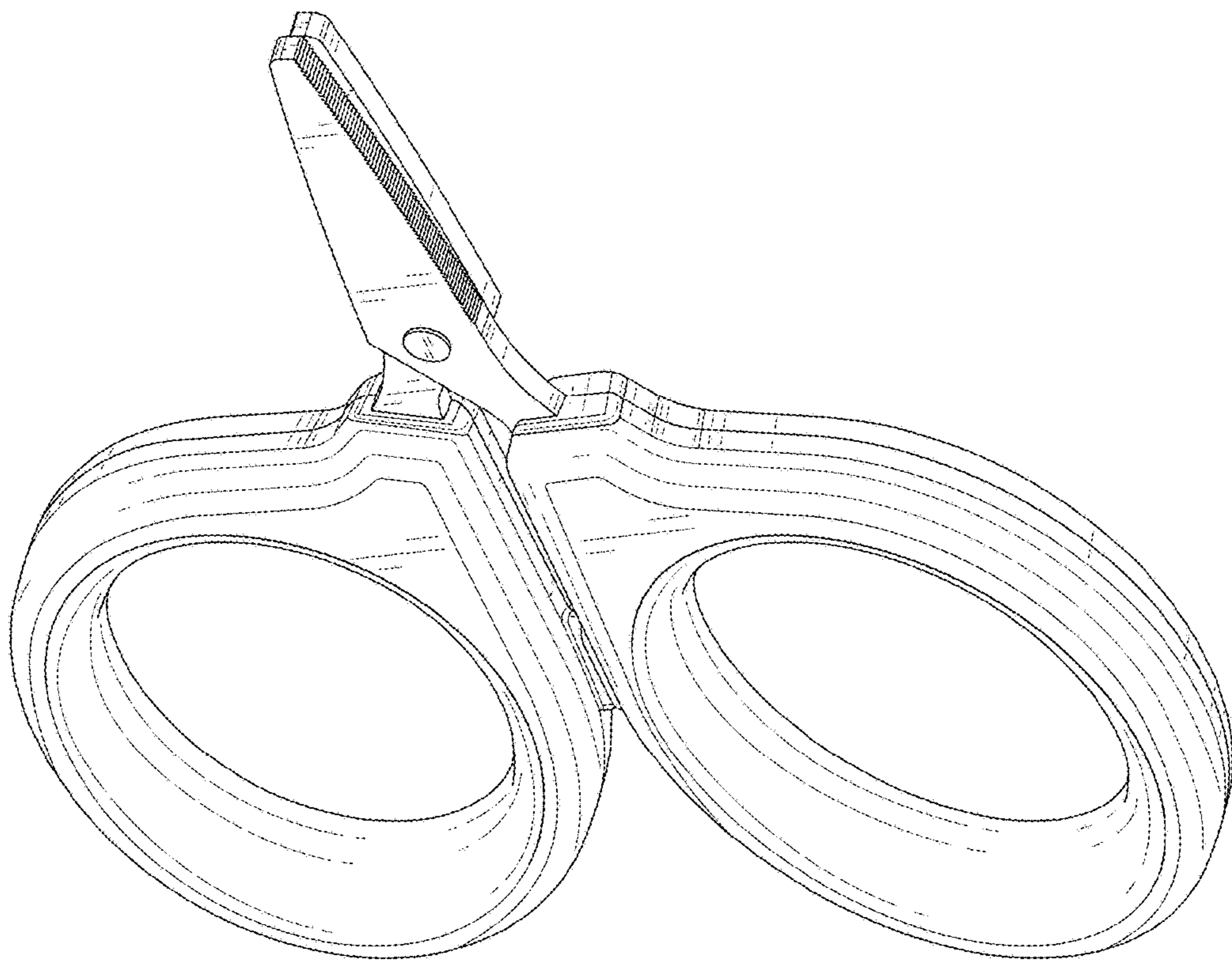


FIG. 1

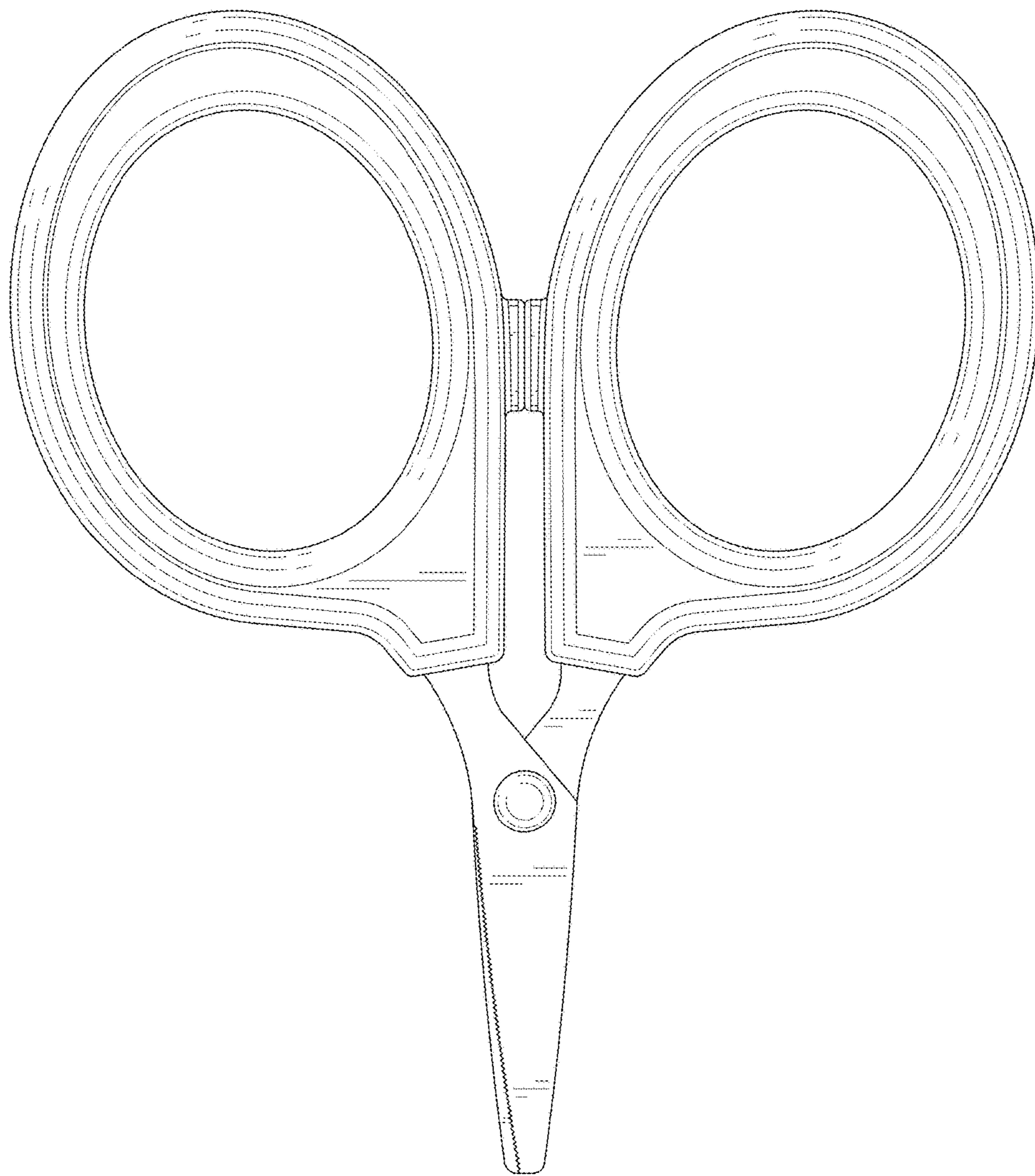


FIG. 2

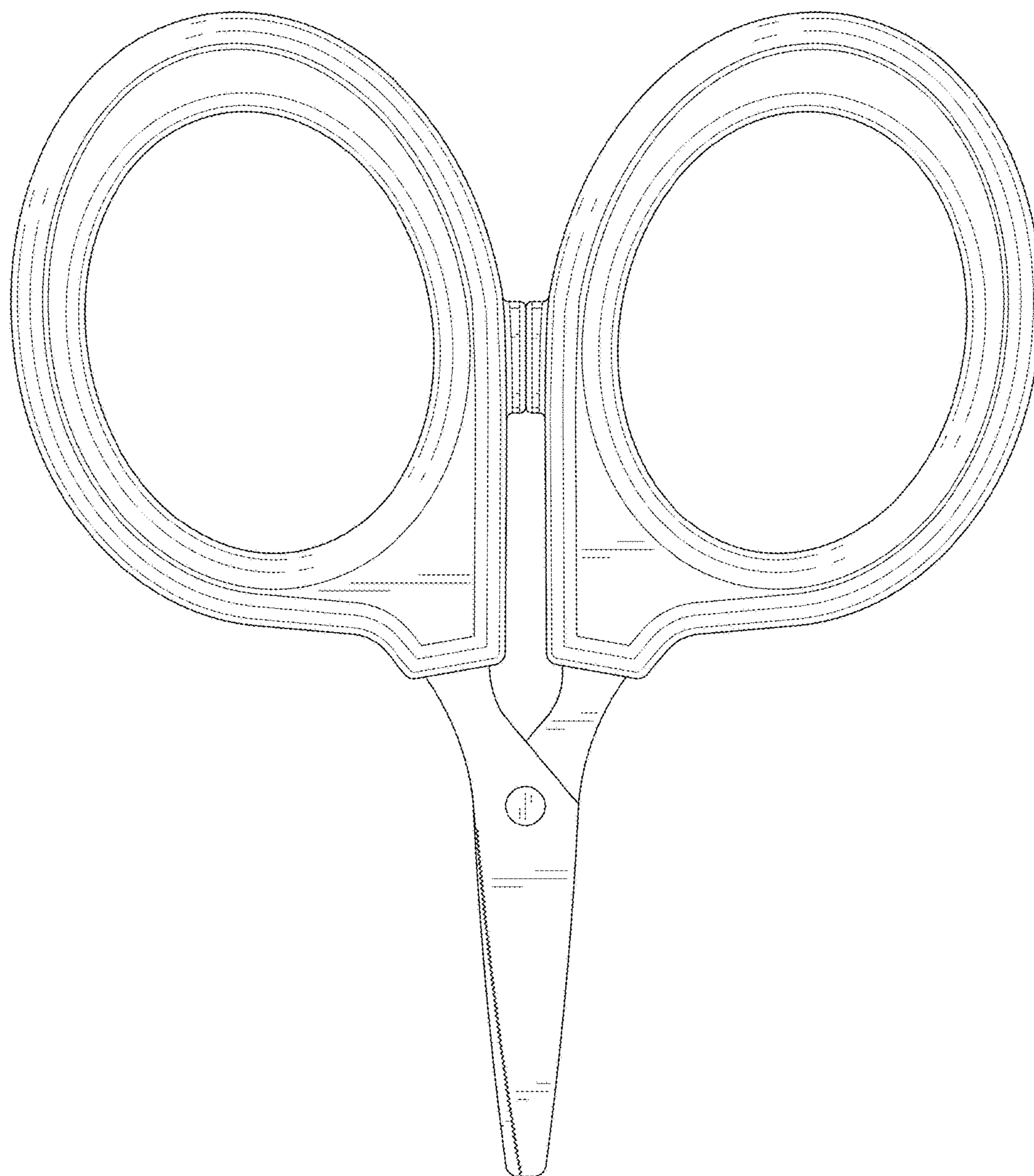


FIG. 3

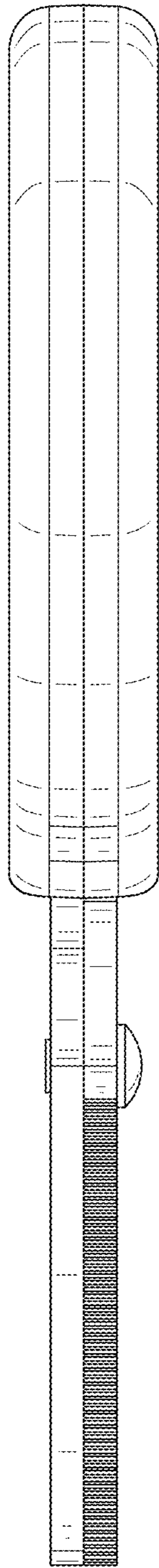


FIG. 4

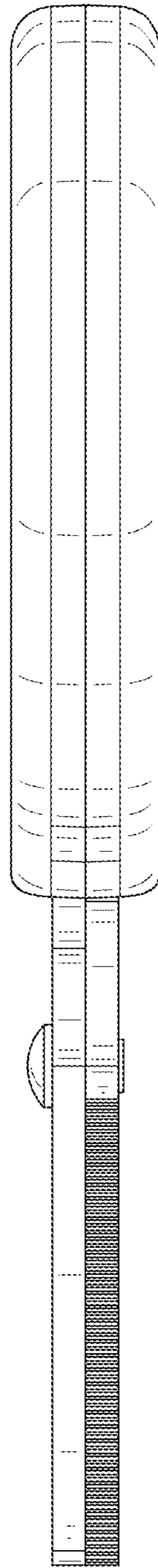


FIG. 5

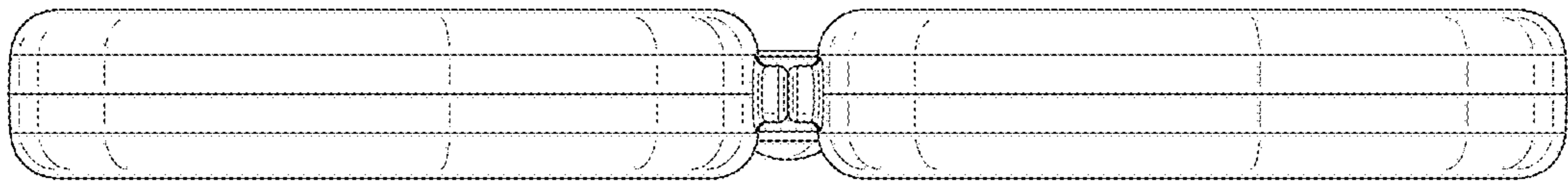


FIG. 6

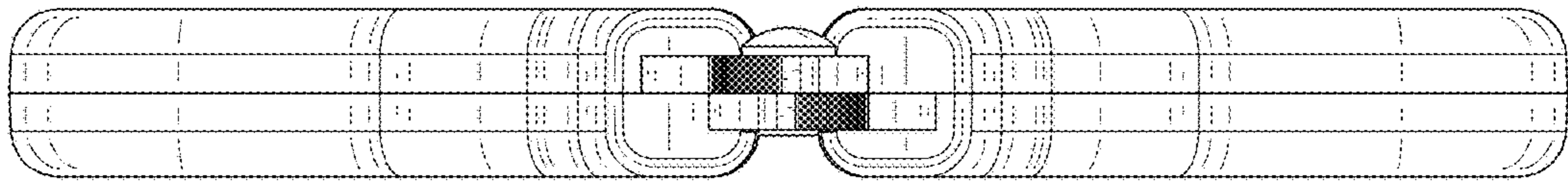


FIG. 7