



US00D828131S

(12) **United States Design Patent**
Cerasale et al.

(10) **Patent No.:** **US D828,131 S**
(45) **Date of Patent:** **** Sep. 11, 2018**

(54) **PROMOTIONAL BOTTLE OPENER**

(71) Applicant: **Bridgeport Fittings, Inc.**, Stratford, CT (US)

(72) Inventors: **Eric J. Cerasale**, Southington, CT (US); **Steven L. Izzo**, Naugatuck, CT (US); **Brian J. Quinn**, Wallingford, CT (US)

(73) Assignee: **BRIDGEPORT FITTINGS, INC.**, Stratford, CT (US)

(**) Term: **15 Years**

(21) Appl. No.: **29/593,604**

(22) Filed: **Feb. 10, 2017**

(51) **LOC (11) Cl.** **07-06**

(52) **U.S. Cl.**
USPC **D8/40**

(58) **Field of Classification Search**
USPC D8/18, 33, 34, 40, 43, 88, 89, 105;
D3/221, 254, 257, 258; D11/1, 7, 14, 17,
D11/22, 30, 95, 99, 184, 204, 211;
D21/301, 308, 314, 315, 316, 318, 319,
D21/386, 398, 698, 701, 708, 712, 713,
D21/780, 781, 788, 799.1; 30/400, 410;
81/3.27, 3.29, 3.55; 7/126, 151
CPC B67B 7/00; B67B 7/04; B67B 7/06; B67B
7/12; B67B 7/14; B67B 7/16; B67B 7/18;
B67B 7/0423; B25F 1/00
See application file for complete search history.

(56) **References Cited**

U.S. PATENT DOCUMENTS

D289,364 S * 4/1987 Bass D8/34
5,724,869 A * 3/1998 May B67B 7/0405
81/3.08

D470,794 S * 2/2003 Eddy D11/201
D506,910 S * 7/2005 Tham-itthisak D7/509
D713,699 S * 9/2014 Bachman D8/40
D721,257 S * 1/2015 Burge D8/33
D721,924 S * 2/2015 Trafton D7/507
D733,496 S * 7/2015 Pisarevsky D7/507
9,187,305 B1 * 11/2015 Olt B67B 7/18
D780,546 S * 3/2017 Kieu D8/40
D790,277 S * 6/2017 Mackesy, II D7/507
D792,179 S * 7/2017 Hsieh D8/33
D805,864 S * 12/2017 Stangeland D8/18
D806,492 S * 1/2018 Willhite D8/40
D807,133 S * 1/2018 Tunney D8/40
2002/0175169 A1 * 11/2002 Tham-itthisak A47G 19/2205
220/600

* cited by examiner

Primary Examiner — Wan Laymon

Assistant Examiner — Clint A Samuel

(74) *Attorney, Agent, or Firm* — Ware, Fressola, Maguire & Barber LLP

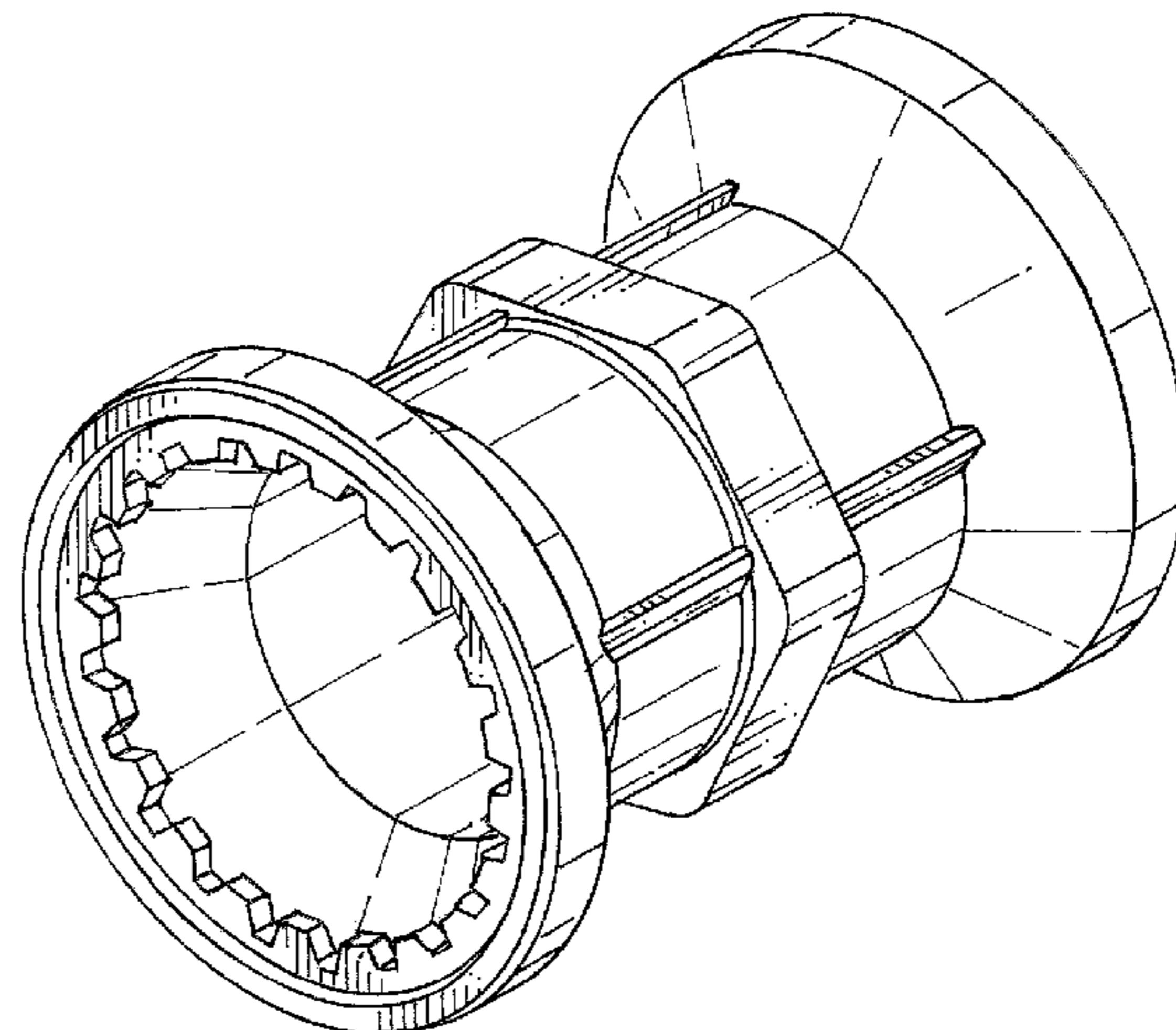
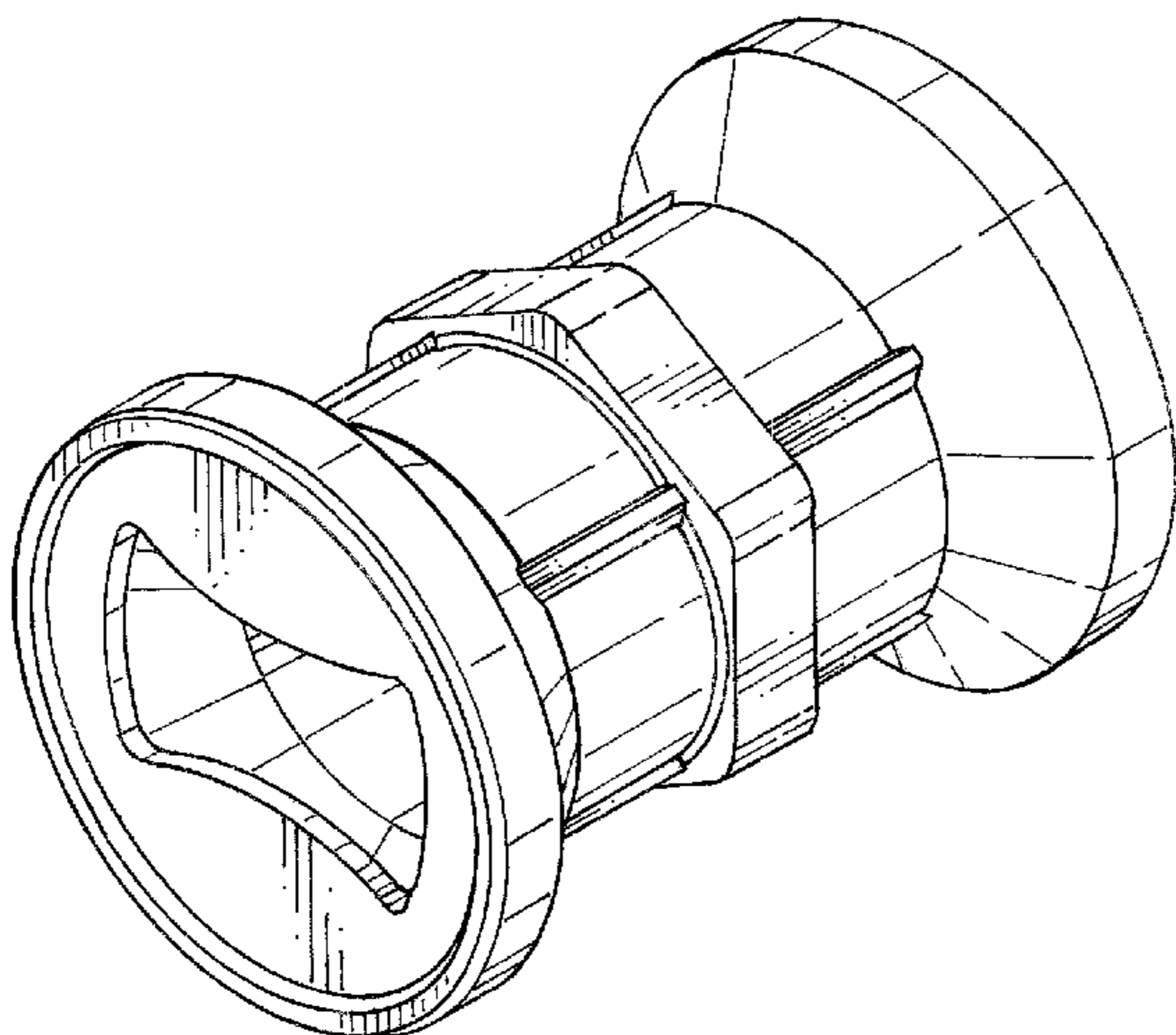
(57) **CLAIM**

The ornamental design for a promotional bottle opener, as shown and described.

DESCRIPTION

FIG. 1 is a front perspective view of a promotional bottle opener showing our new design;
FIG. 2 is a rear perspective view thereof;
FIG. 3 is a left side view thereof, the right side being a mirror image thereof;
FIG. 4 is a top view thereof, the bottom view being a mirror image thereof;
FIG. 5 is a front view thereof; and,
FIG. 6 is a rear view thereof.
The broken lines represent portions of the promotional bottle opener that form no part of the claimed design.

1 Claim, 3 Drawing Sheets



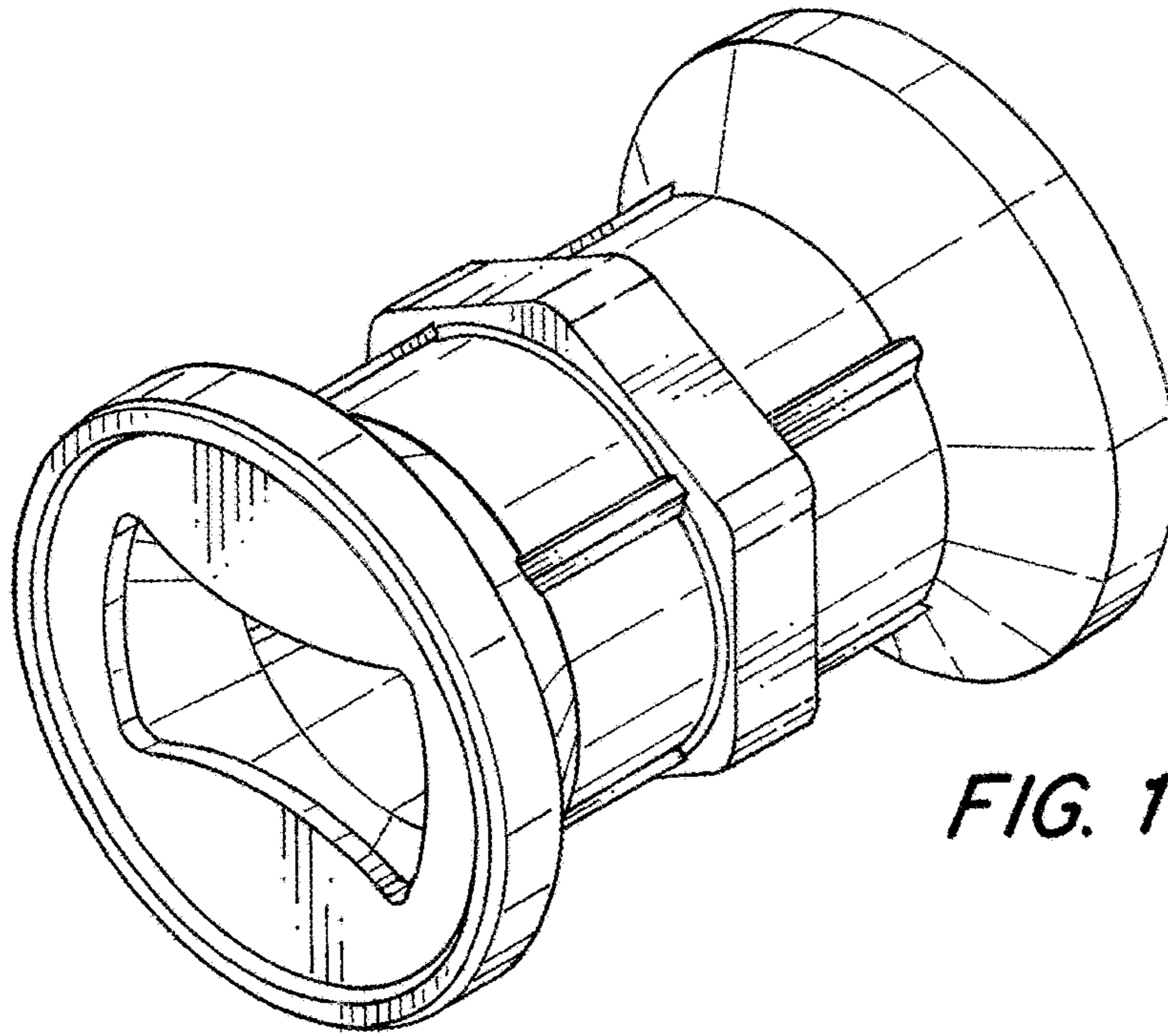


FIG. 1

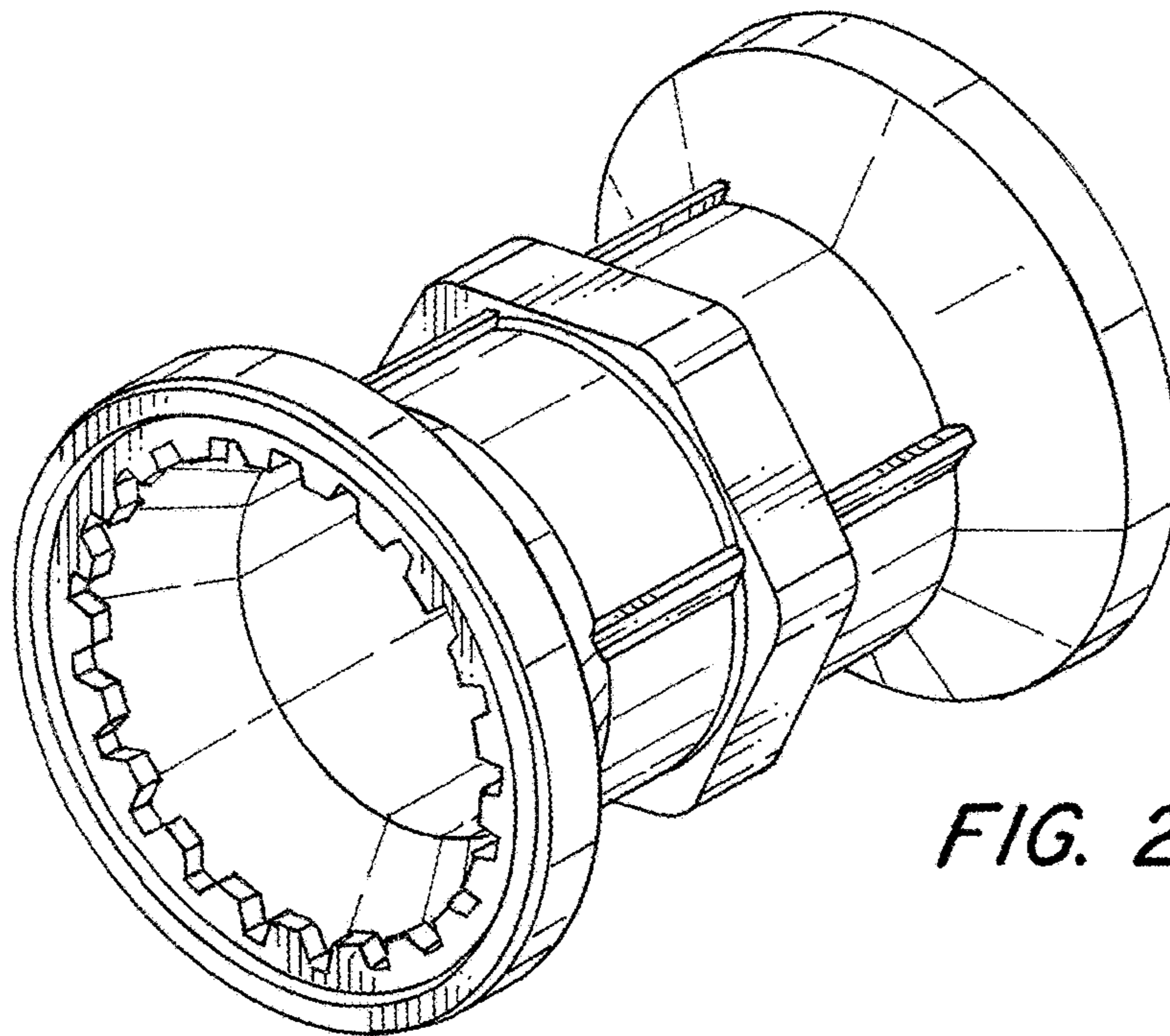


FIG. 2

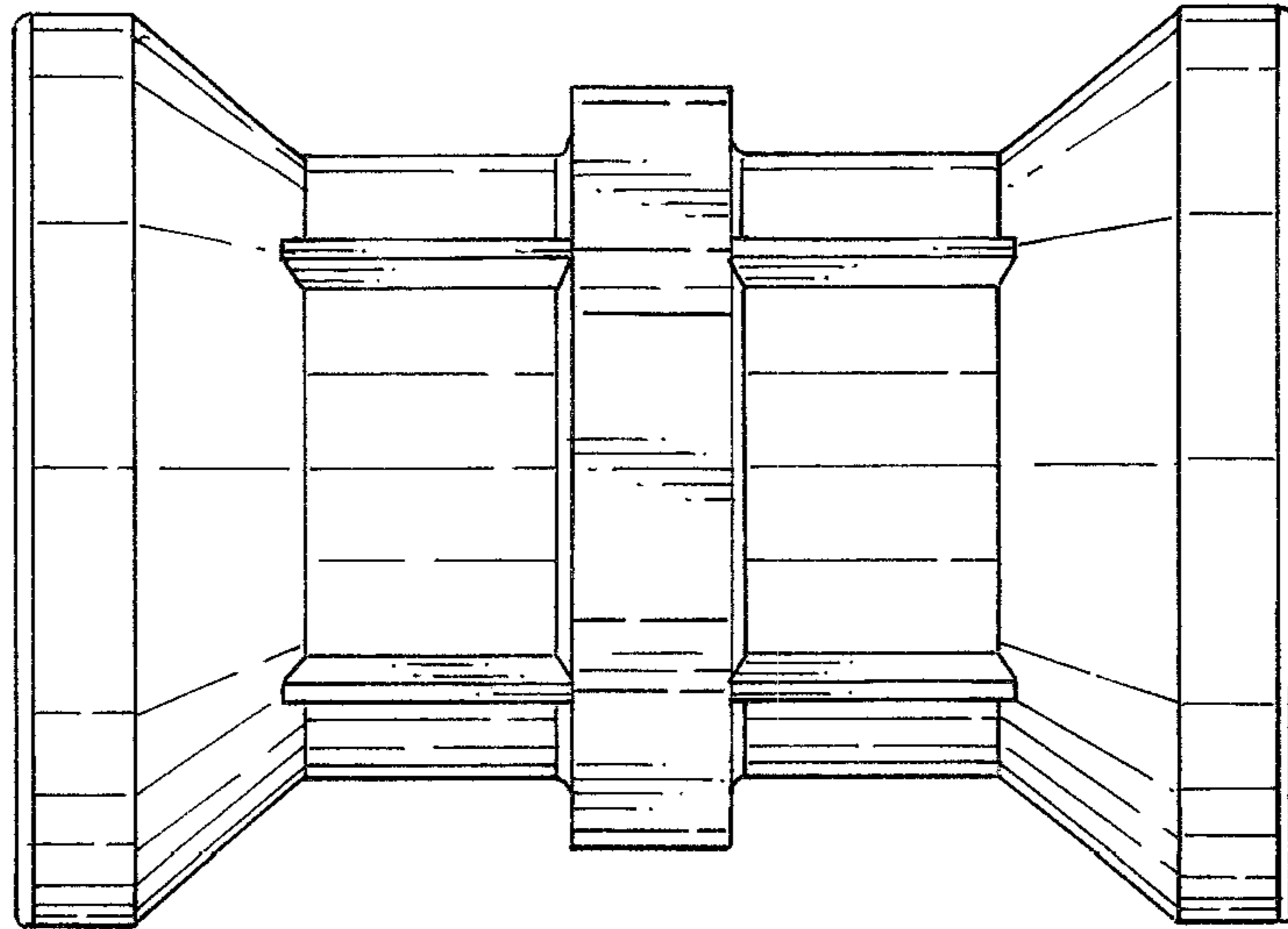


FIG. 3

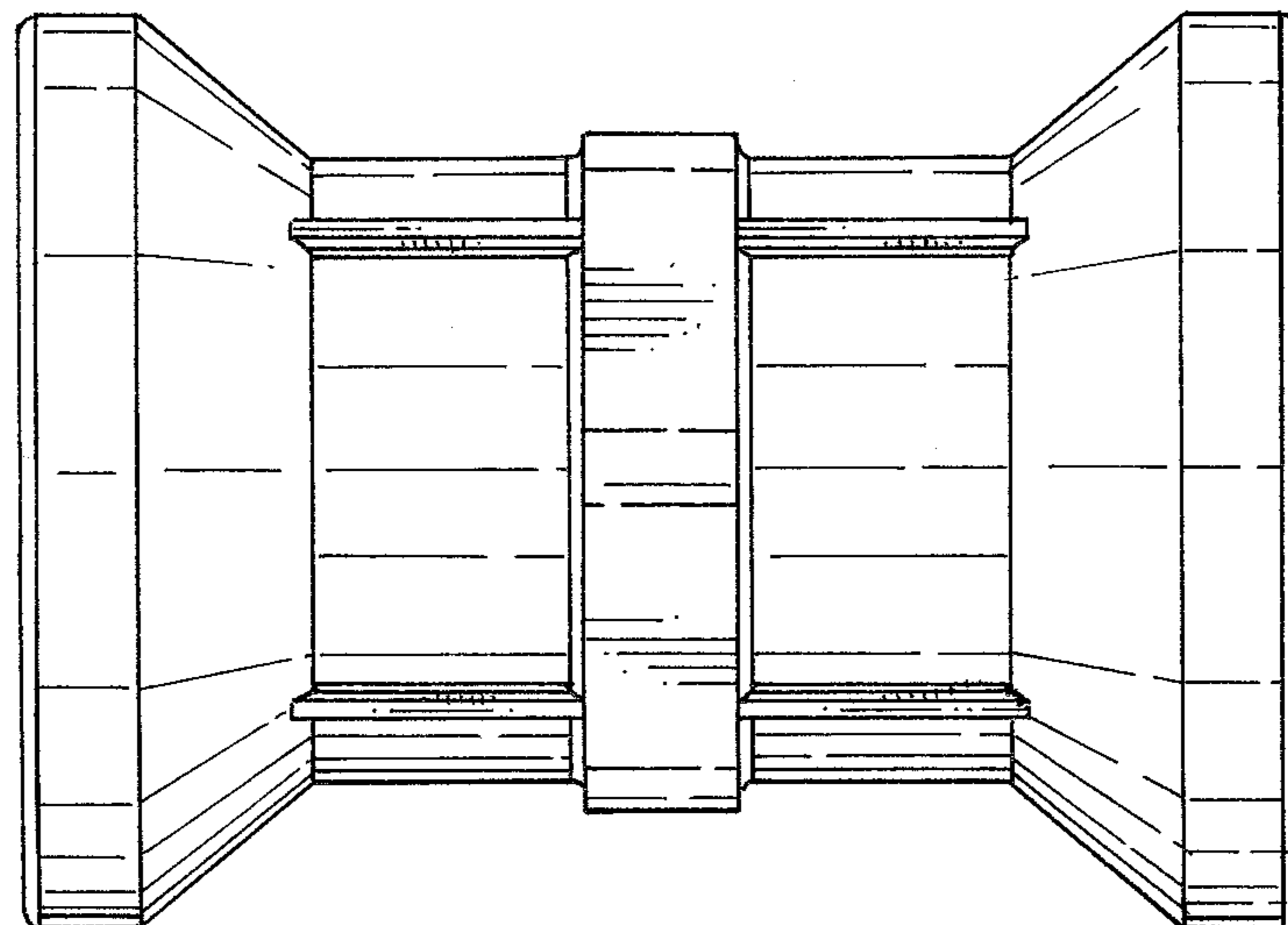


FIG. 4

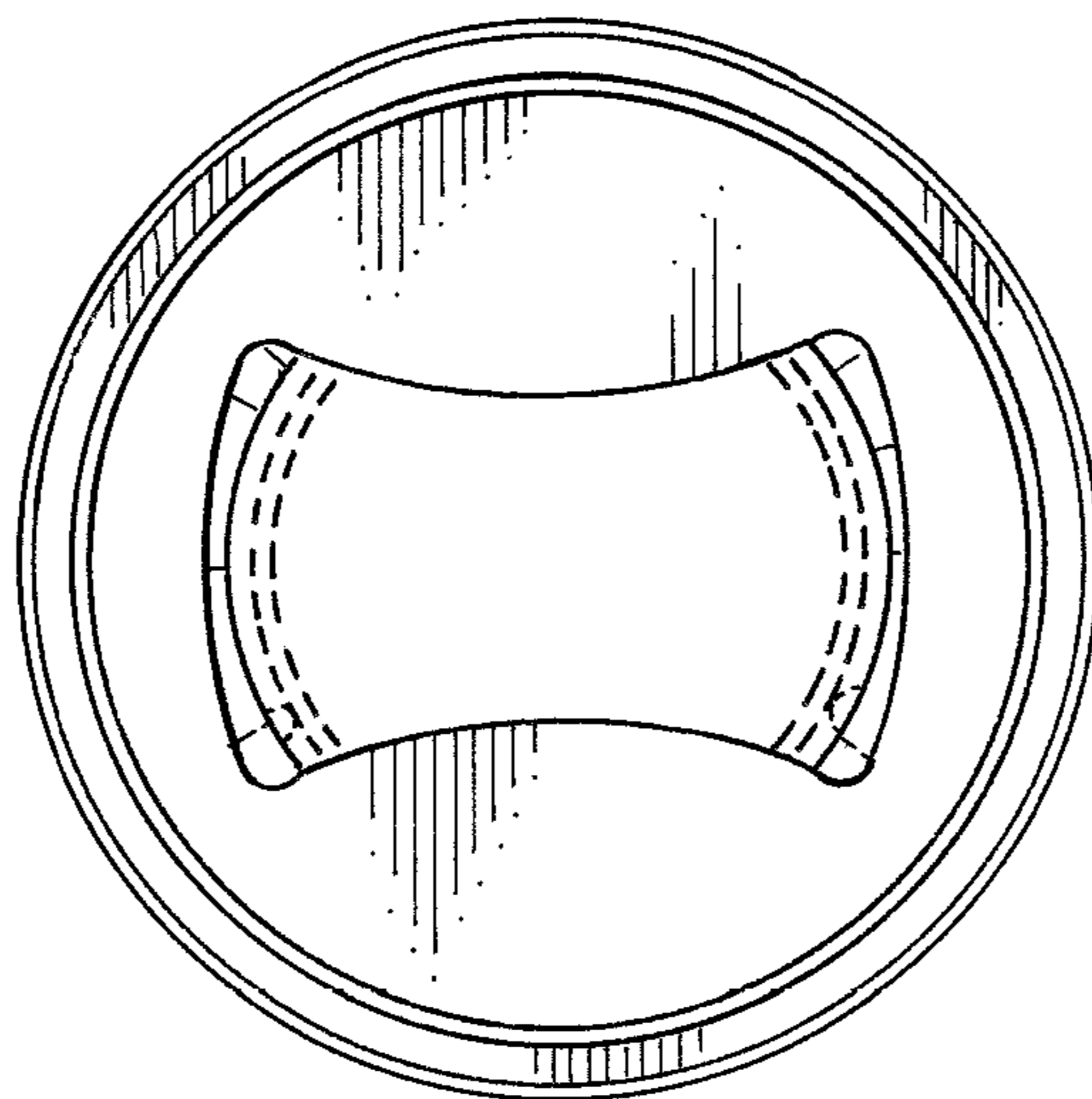


FIG. 5

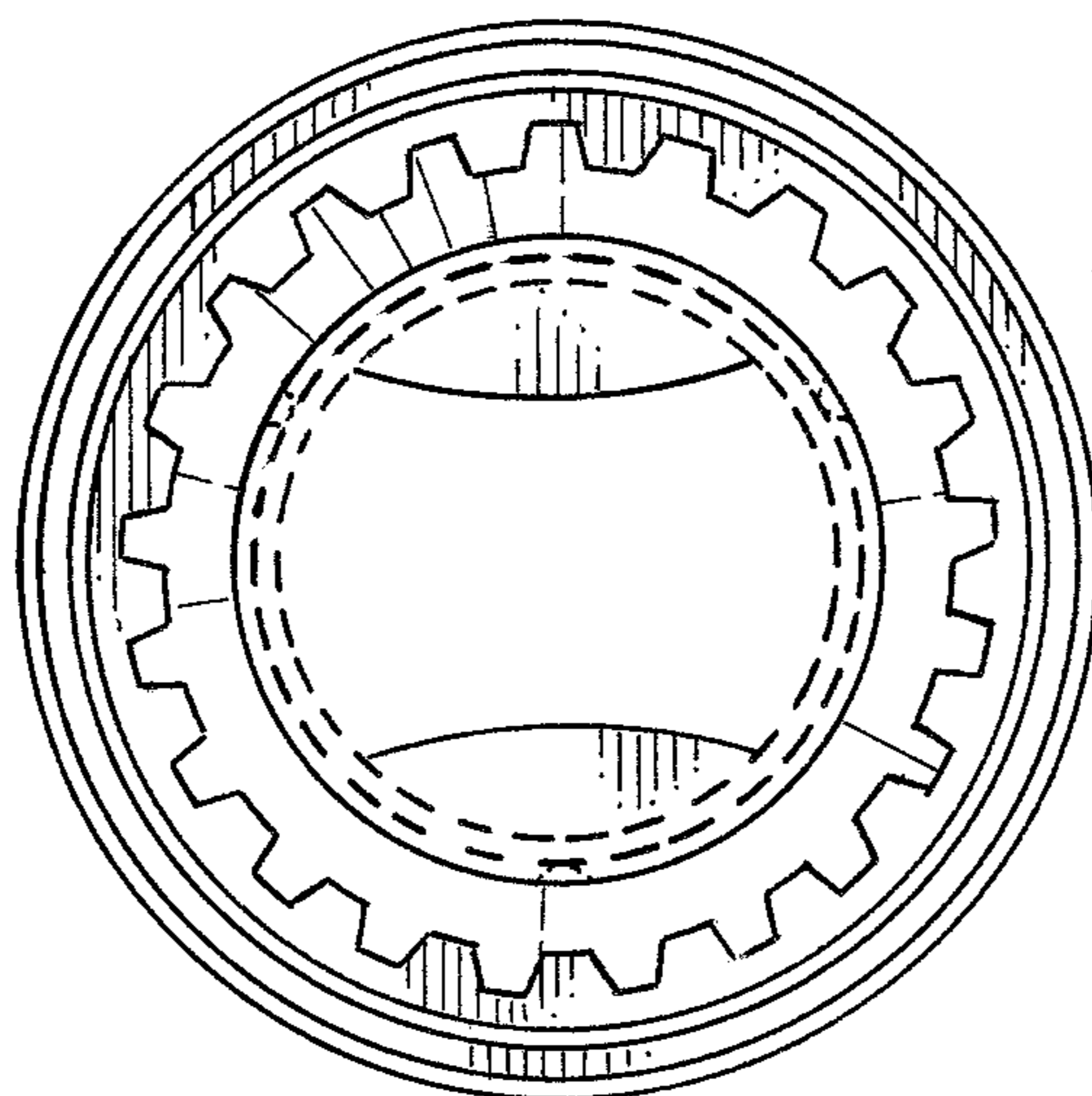


FIG. 6