

US00D828126S

(12) **United States Design Patent**
Skaliotis

(10) **Patent No.:** **US D828,126 S**

(45) **Date of Patent:** **** Sep. 11, 2018**

(54) **DIGGING TOOL ATTACHMENT**
(71) Applicant: **Nicholas Skaliotis**, Crawley (GB)
(72) Inventor: **Nicholas Skaliotis**, Crawley (GB)
(**) Term: **15 Years**
(21) Appl. No.: **35/501,001**
(22) Filed: **Nov. 23, 2015**

(80) **Hague Agreement Data**

Int. Filing Date: **Nov. 23, 2015**
Int. Reg. No.: **DM/088549**
Int. Reg. Date: **Nov. 23, 2015**
Int. Reg. Pub. Date: **May 27, 2016**

(51) **LOC (11) Cl.** **08-01**

(52) **U.S. Cl.**

USPC **D8/10**

(58) **Field of Classification Search**

USPC D8/1, 10, 13, 14, 71, 499, 5-7
CPC .. A01B 1/024; A01B 1/00; A01B 1/02; A01B
1/022; A01B 1/028; A01B 1/16; A01B
1/18; A01B 1/20; A01C 5/02; A01G 3/06
See application file for complete search history.

(56) **References Cited**

U.S. PATENT DOCUMENTS

493,110 A * 3/1893 Orthwein A01B 1/024
294/60
551,527 A * 12/1895 Cunningham B05B 1/14
111/7.1
648,804 A * 5/1900 Sheehan A01B 1/028
254/131.5
678,373 A * 7/1901 Blaser A01G 3/06
294/60
754,543 A * 3/1904 Christiansen A01B 1/024
294/60
910,274 A * 1/1909 Duprey A01B 1/028
254/131.5

931,387 A * 8/1909 Conde A01B 1/028
254/131.5
958,188 A * 5/1910 Severson A01B 1/024
294/49
1,109,758 A * 9/1914 James A01B 1/024
294/60
1,331,495 A * 2/1920 Gibson A01B 1/024
294/60
1,658,963 A * 2/1928 Bergquist A01B 1/024
294/60
1,757,925 A * 5/1930 Kirkpatrick A01C 5/02
294/49
2,210,440 A * 8/1940 Avary A01B 1/165
111/99
2,629,985 A * 3/1943 McDowell B25D 1/16
144/195.5
2,419,015 A * 4/1947 Gascoigne A01B 1/04
254/131.5
2,439,524 A * 4/1948 Moore A01B 1/165
111/101
2,568,468 A * 9/1951 Smith A01G 3/06
172/16
D175,849 S * 10/1955 Moore, Jr. et al. D8/1
3,506,296 A * 4/1970 Nelson A01B 1/165
111/101

(Continued)

Primary Examiner — Elizabeth A. Albert

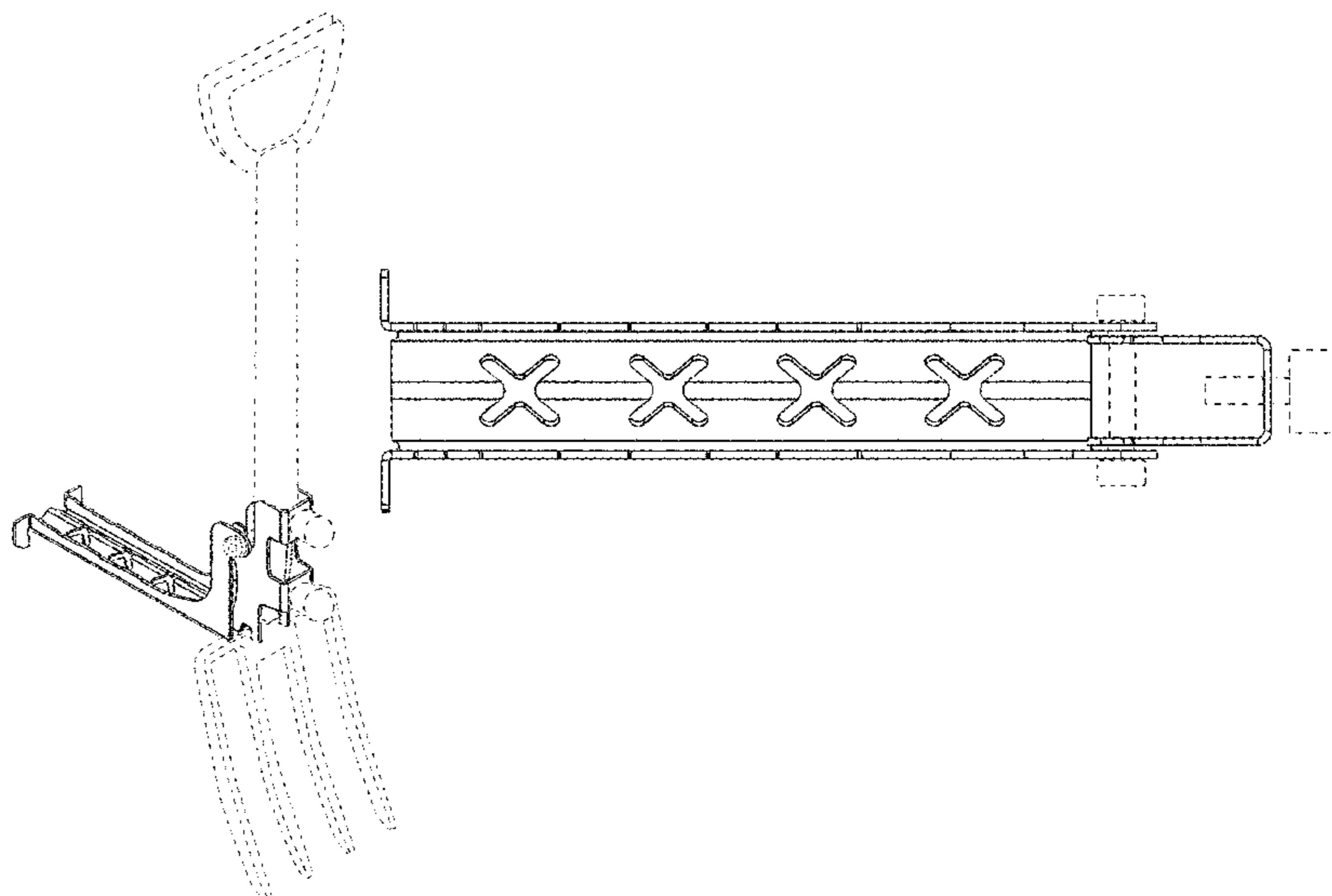
(57) **CLAIM**

The ornamental design for a digging tool attachment, as shown and described.

DESCRIPTION

- 1. Digging tool attachment
- 1.1 : Perspective
- 1.2 : Front
- 1.3 : Back
- 1.4 : Left
- 1.5 : Right
- 1.6 : Top
- 1.7 : Bottom

1 Claim, 7 Drawing Sheets



(56)

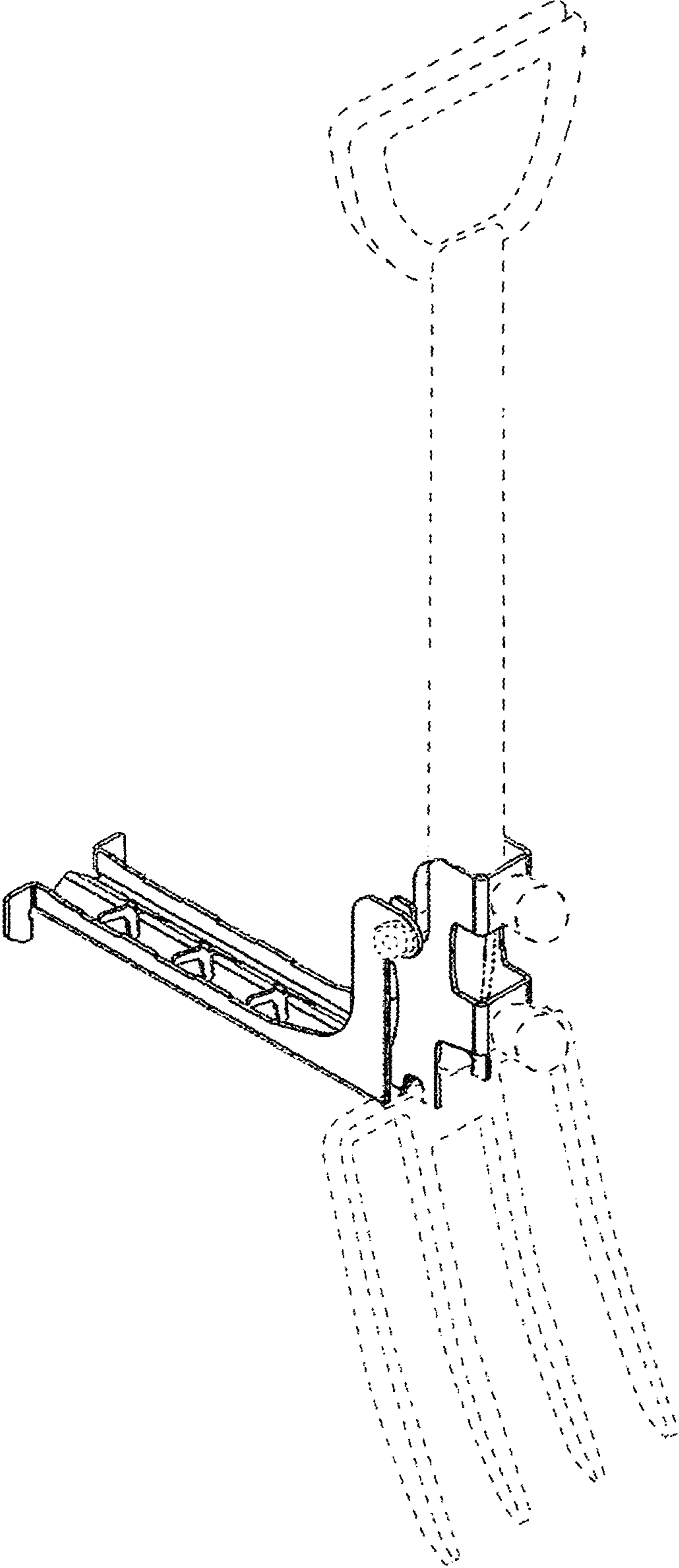
References Cited

U.S. PATENT DOCUMENTS

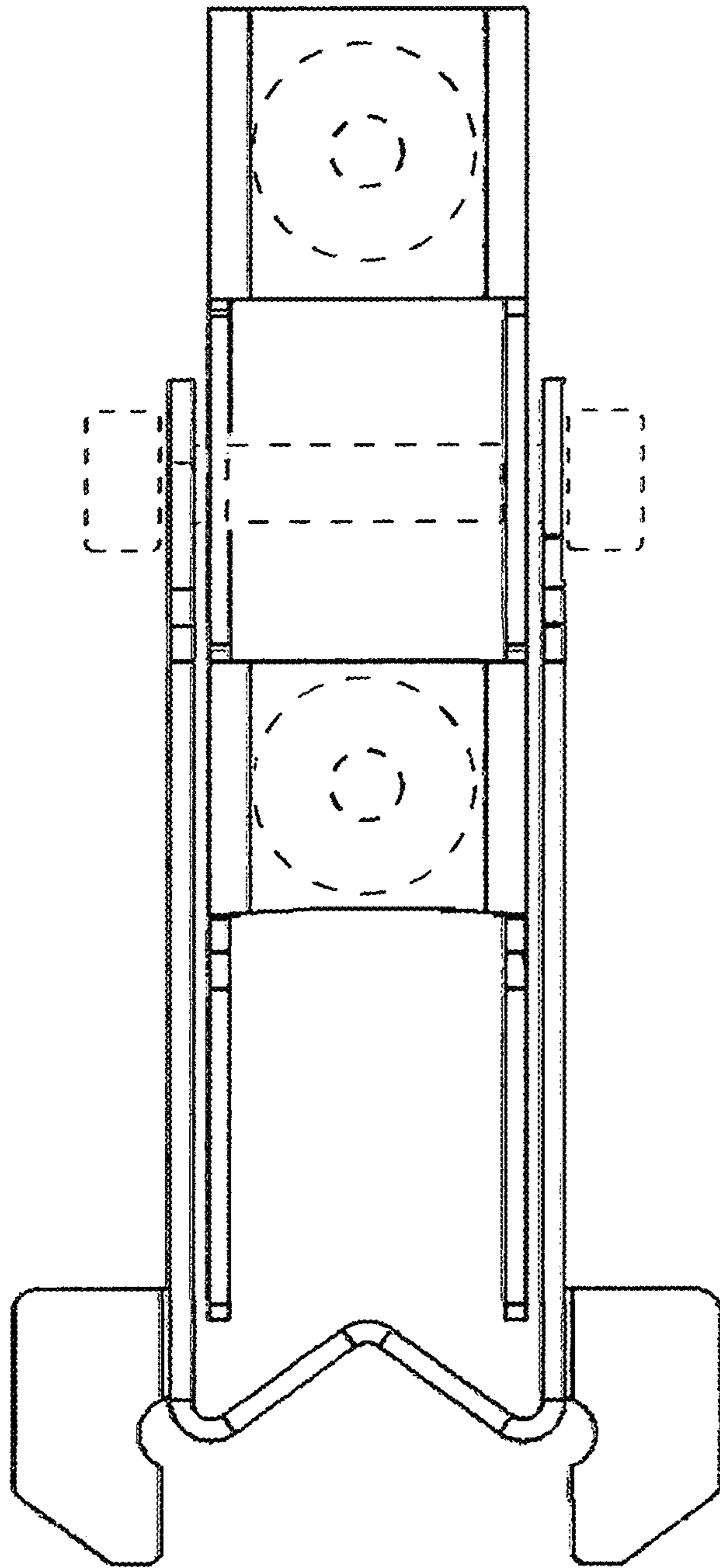
3,707,197	A *	12/1972	Walesch	E21B 25/00	111/99
3,838,739	A *	10/1974	Pollard	A01B 1/24	172/21
4,117,896	A *	10/1978	Weber	E21B 12/06	175/308
4,191,116	A *	3/1980	Allison, Jr.	A01C 5/02	111/106
D269,844	S *	7/1983	Hackerson	111/99	
4,461,458	A *	7/1984	Poulin	A01B 1/028	254/131.5
4,663,995	A *	5/1987	Amundson	B25B 27/00	254/131.5
4,715,634	A *	12/1987	Mueller	A01B 1/165	294/50.5
4,722,512	A *	2/1988	Lighthizer	A01B 1/028	254/131.5
4,790,392	A *	12/1988	Clements	B25D 1/16	173/128
4,819,735	A *	4/1989	Puckett	A01B 1/243	172/72
4,823,937	A *	4/1989	Page	B65G 33/24	198/319
4,932,339	A *	6/1990	List	A01C 5/02	111/106
5,080,027	A *	1/1992	Brothers	A01C 5/02	111/115
5,109,930	A *	5/1992	Napier	A01B 1/02	111/99
5,234,241	A *	8/1993	Ikerd	A01B 1/18	294/115
D347,980	S *	6/1994	Butch	D8/1	
D350,676	S *	9/1994	Lefkow	D8/1	
D355,819	S *	2/1995	Price	D8/10	
5,398,624	A *	3/1995	Caron	A01B 1/165	111/106
5,492,070	A *	2/1996	Lefkow	A01C 5/02	111/115
5,503,445	A *	4/1996	Fontaine	A01B 1/024	294/60
D423,889	S *	5/2000	Heffner	D8/1	
6,257,346	B1 *	7/2001	Schofield	A01B 1/18	172/381
6,283,223	B1 *	9/2001	Ayers	A01G 3/06	172/17
6,330,921	B1 *	12/2001	Barber	A01B 1/165	172/22
6,663,085	B1 *	12/2003	Dalon	B66F 15/00	254/131.5
D569,695	S *	5/2008	Zimmer	D8/1	
D618,972	S *	7/2010	Bushroe	D8/7	
7,950,085	B2 *	5/2011	McGovern	A01B 1/022	294/57
7,971,702	B2 *	7/2011	Johnsgaard	B65G 65/46	198/550.1
9,204,587	B2 *	12/2015	Cordeiro	E01H 5/02	
D762,139	S *	7/2016	Wheelington	D11/130	
9,453,321	B2 *	9/2016	Hartman	E02D 7/04	
D782,889	S *	4/2017	Vera Andrades	D8/10	

* cited by examiner

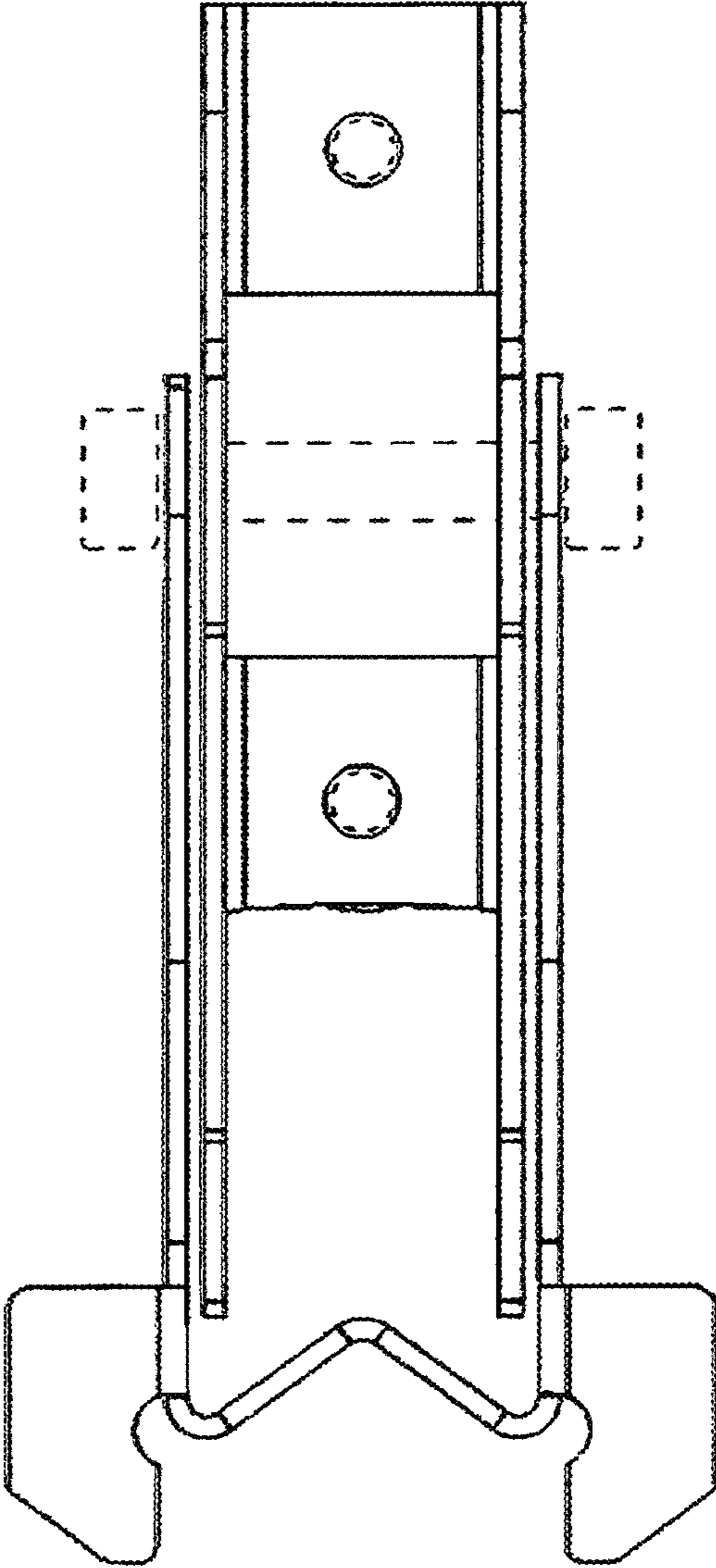
1.1

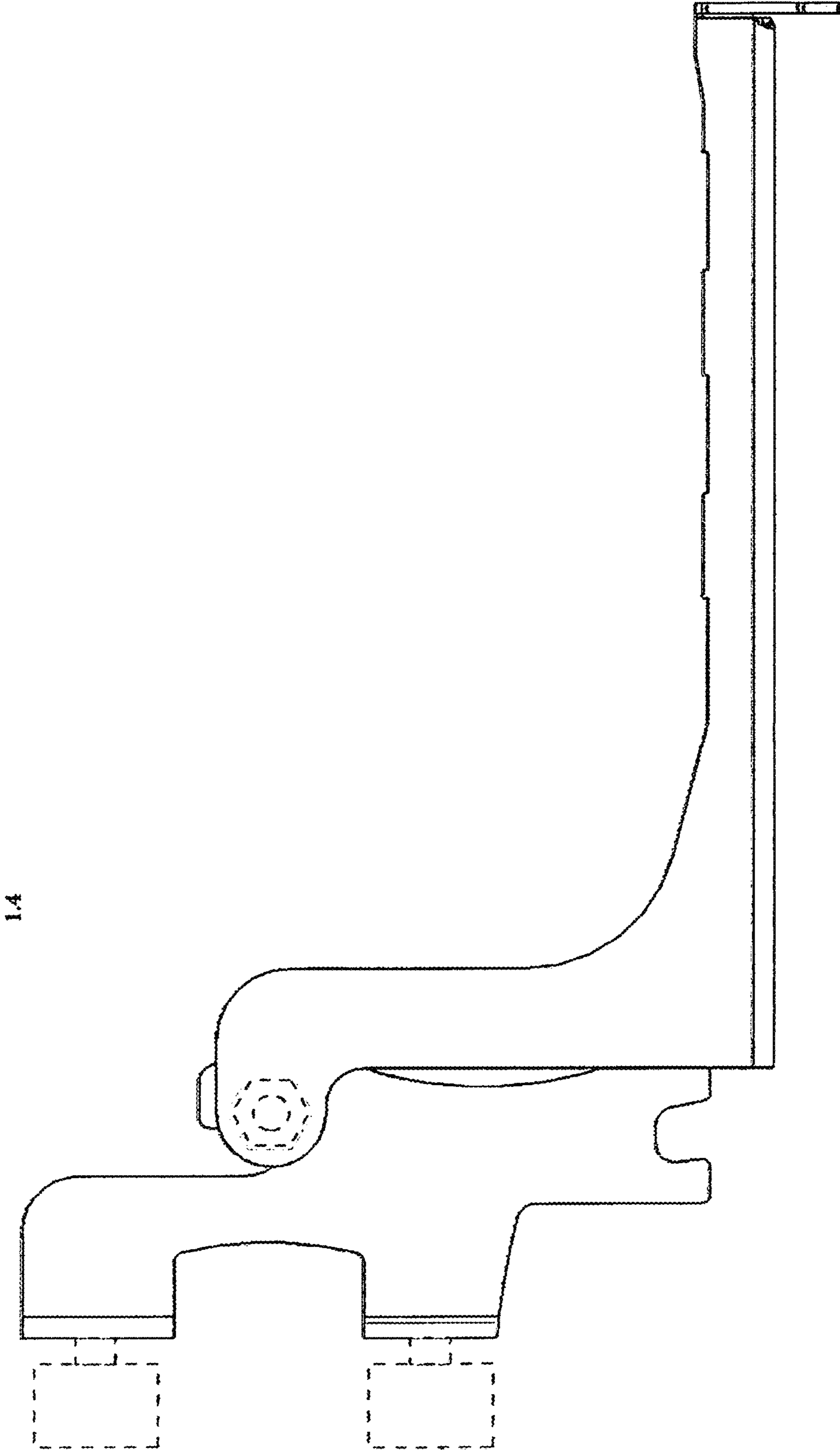


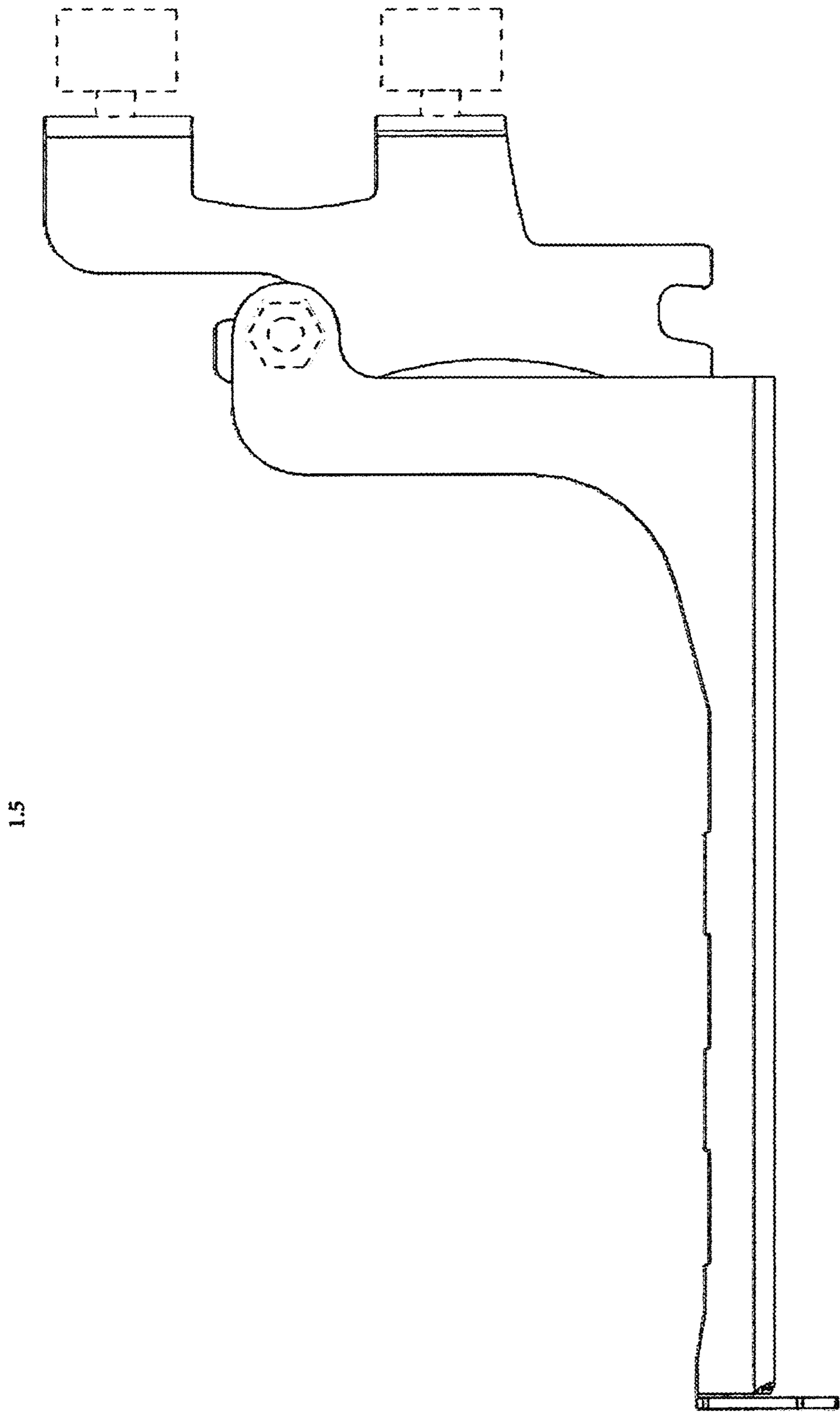
1.2



13

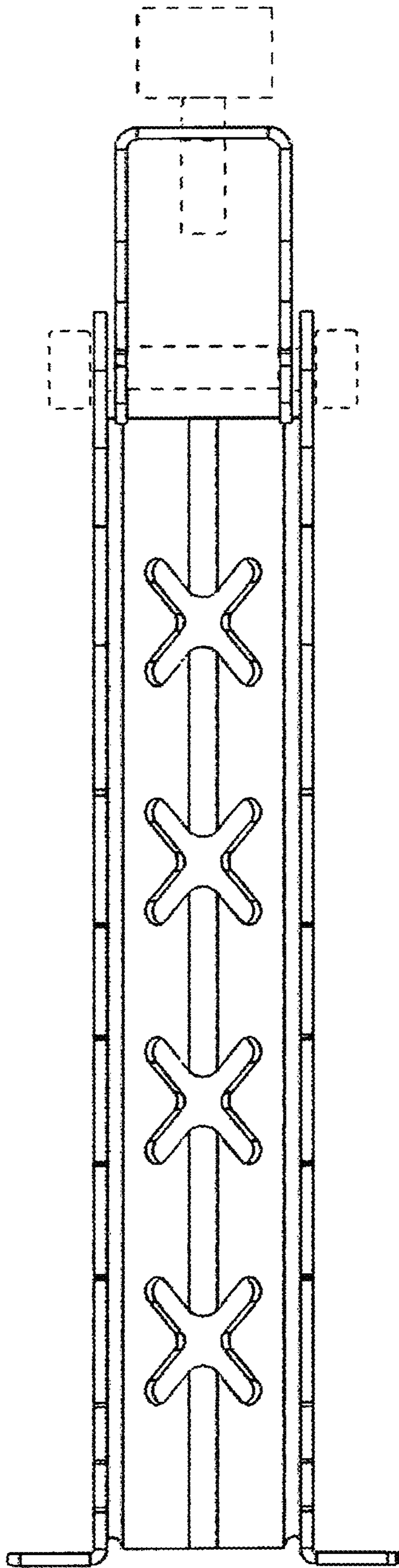






1.5

1.6



1.7

