



US00D828124S

(12) **United States Design Patent**
Miwa

(10) **Patent No.:** **US D828,124 S**

(45) **Date of Patent:** **** Sep. 11, 2018**

(54) **GARDENING TOOL**

(71) Applicant: **MAX CO., LTD.**, Tokyo (JP)

(72) Inventor: **Toshihide Miwa**, Tokyo (JP)

(73) Assignee: **MAX CO., LTD.**, Tokyo (JP)

(**) Term: **15 Years**

(21) Appl. No.: **29/587,539**

(22) Filed: **Dec. 14, 2016**

(30) **Foreign Application Priority Data**

Jun. 15, 2016 (JP) 2016-012756

(51) **LOC (11) Cl.** **08-01**

(52) **U.S. Cl.**
USPC **D8/4**

(58) **Field of Classification Search**
USPC D8/1, 4, 5, 51, 52, 53, 54, 55, 56, 58,
D8/105, 107
CPC A01G 3/025; A01G 3/0251; A01G 3/0475;
A01G 3/00; A01G 3/02; A01G 3/021;
A01G 1/06; A01G 2003/023; A01G
17/085; B26B 17/00; B65B 13/185; B65B
13/025; B65B 13/16; B65B 13/345; B65B
13/20

See application file for complete search history.

(56) **References Cited**

U.S. PATENT DOCUMENTS

- 3,848,789 A * 11/1974 Baker B65B 13/345
227/120
- 3,854,202 A * 12/1974 Cortese H02G 1/1214
30/91.2
- D267,145 S * 12/1982 Kaneko D8/51
- D285,527 S * 9/1986 Schwartz D8/105
- D408,698 S * 4/1999 Chen D8/44
- 6,382,289 B1 * 5/2002 Jho A01G 17/085
100/16
- D481,602 S * 11/2003 Hattori D8/68

- D544,770 S * 6/2007 Yang D8/52
- 7,451,544 B1 * 11/2008 Huang A01G 1/06
30/123
- D648,197 S * 11/2011 Lin D8/52
- 9,736,997 B2 * 8/2017 Cho A01G 17/085
- 2001/0039976 A1 * 11/2001 Shirakawa B65B 13/345
140/93.4
- 2004/0237805 A1 * 12/2004 Hayashi A01G 17/085
100/1
- 2005/0028497 A1 * 2/2005 Hayashi A01G 17/085
53/592
- 2008/0104886 A1 * 5/2008 Nakamura A01G 17/085
47/1.01 S
- 2013/0125461 A1 * 5/2013 Seo A01G 17/085
47/1.01 S

(Continued)

Primary Examiner — Sandra S Snapp

Assistant Examiner — Ieisha N Price

(74) *Attorney, Agent, or Firm* — Drinker Biddle & Reath
LLP

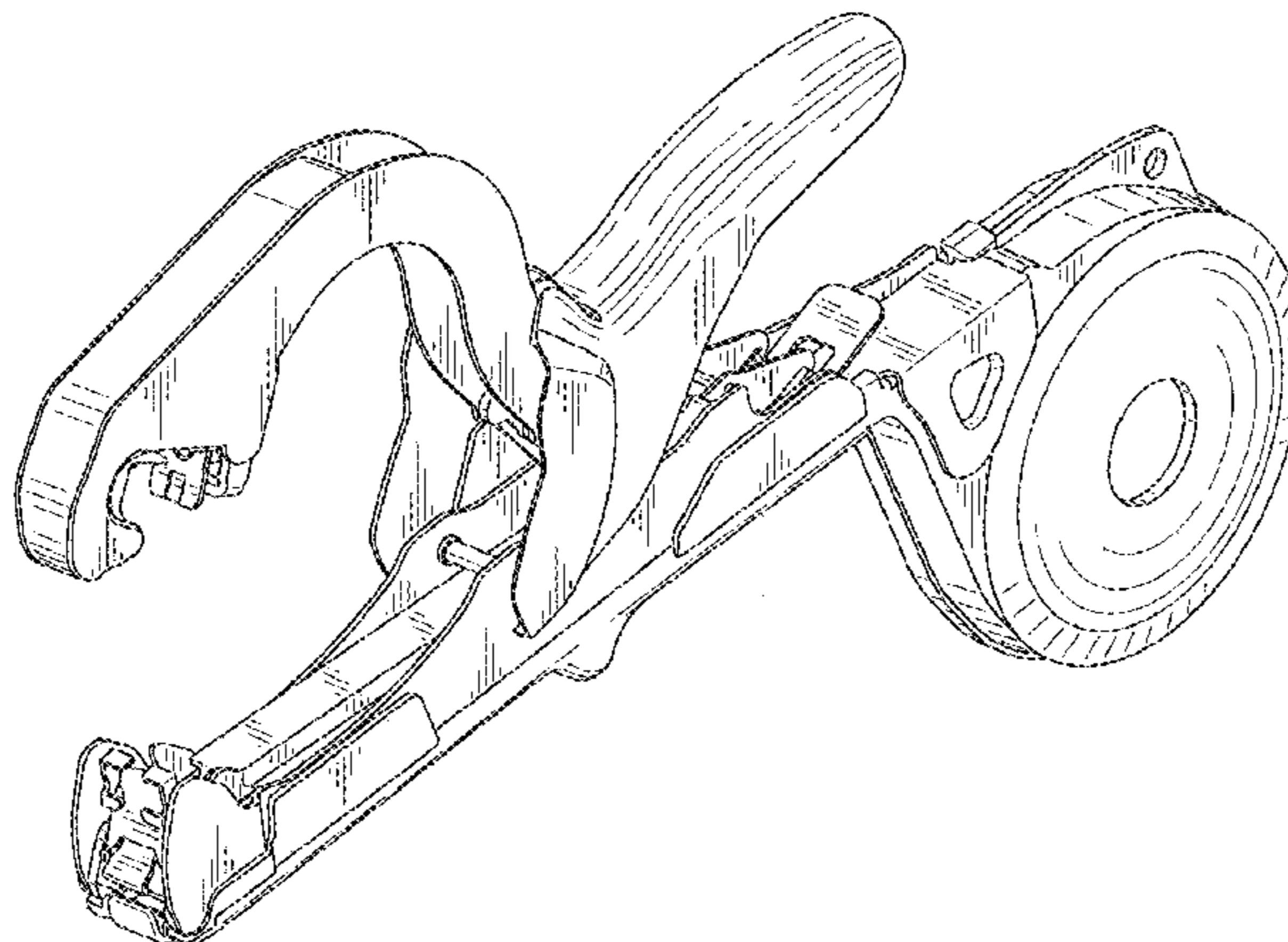
(57) **CLAIM**

The ornamental design for a gardening tool, as shown and described.

DESCRIPTION

FIG. 1 is a perspective view of front, top and left side view of a gardening tool showing my new design;
 FIG. 2 is a perspective view of rear, top and right side view thereof;
 FIG. 3 is a front view thereof;
 FIG. 4 is a rear view thereof;
 FIG. 5 is a left side view thereof;
 FIG. 6 is a right side view thereof;
 FIG. 7 is a top view thereof; and,
 FIG. 8 is a bottom view thereof.
 The portions of the article in broken lines are shown for illustrative purposes only and form no part of the claimed design.

1 Claim, 6 Drawing Sheets



(56)

References Cited

U.S. PATENT DOCUMENTS

2015/0181810 A1* 7/2015 Cho A01G 17/085
227/120
2015/0307216 A1* 10/2015 Sato A01G 17/085
100/33 R
2017/0359971 A1* 12/2017 Hayashi A01B 1/00
2017/0359973 A1* 12/2017 Taguchi A01B 1/00
2017/0361957 A1* 12/2017 Takemura A01G 17/085
2017/0361958 A1* 12/2017 Hayashi A01G 17/085
2017/0361959 A1* 12/2017 Ishiguro A01G 17/085
2017/0361960 A1* 12/2017 Taguchi B65B 13/025
2018/0099768 A1* 4/2018 Takemura A01G 17/085

* cited by examiner

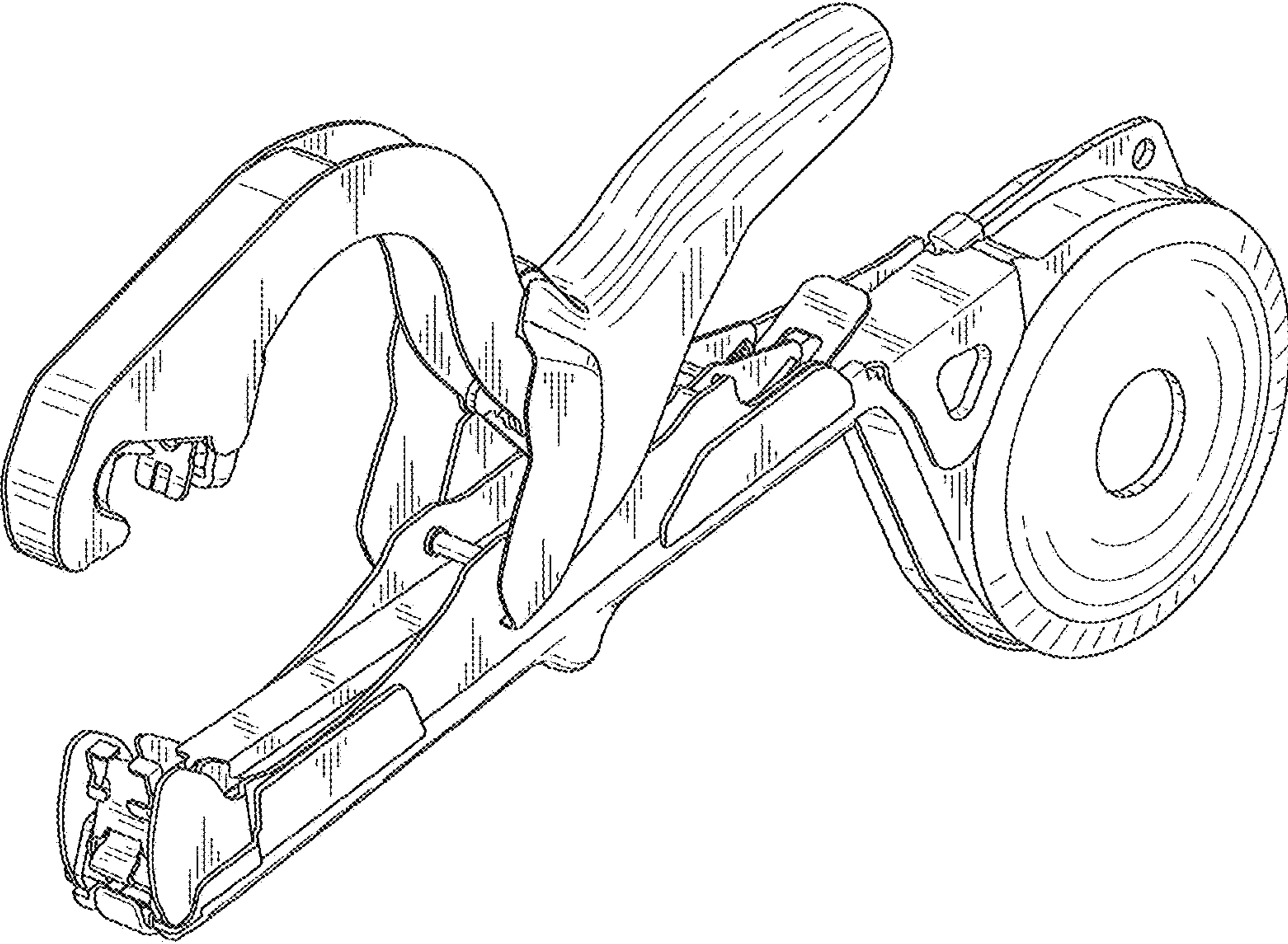


FIG. 1

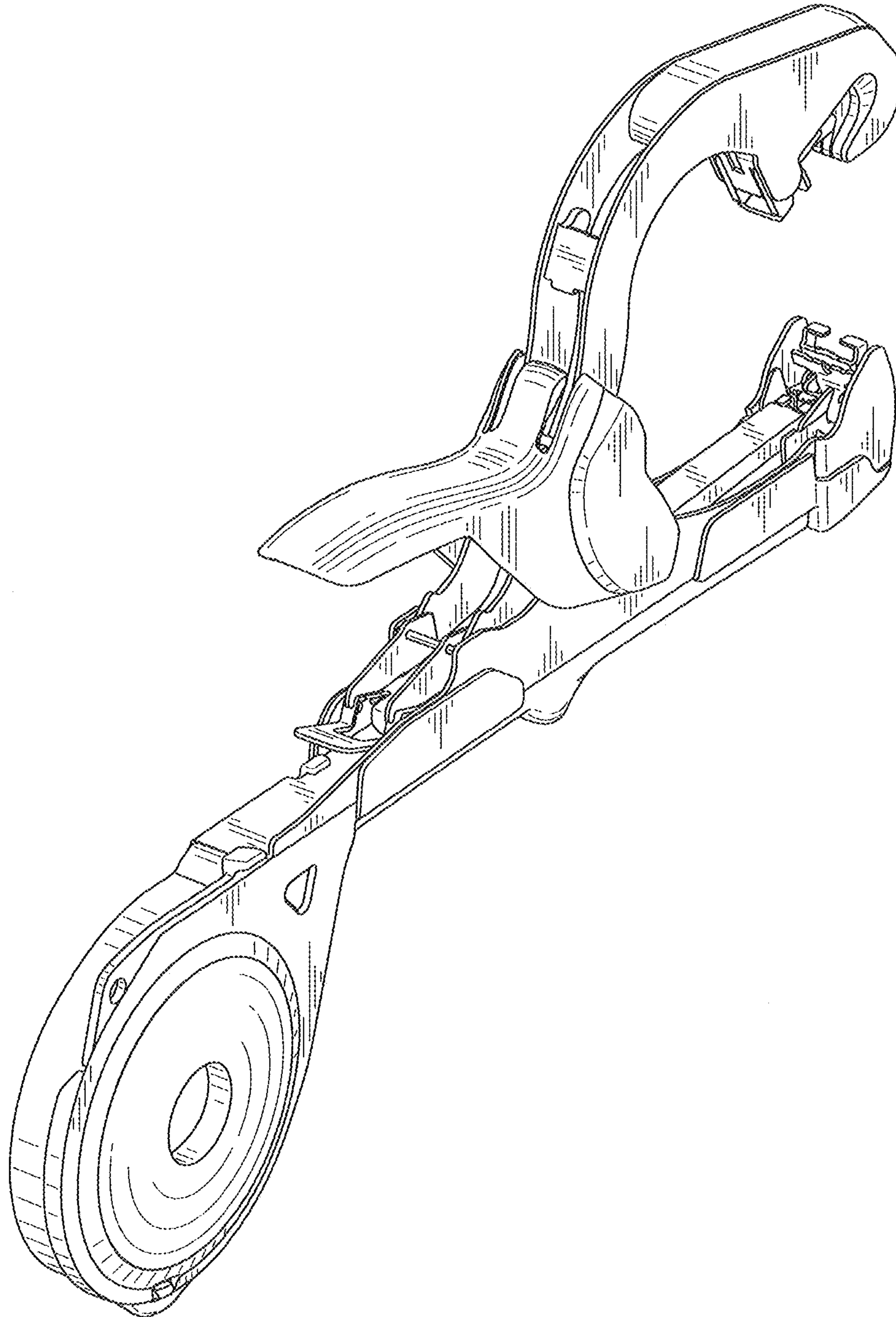


FIG. 2

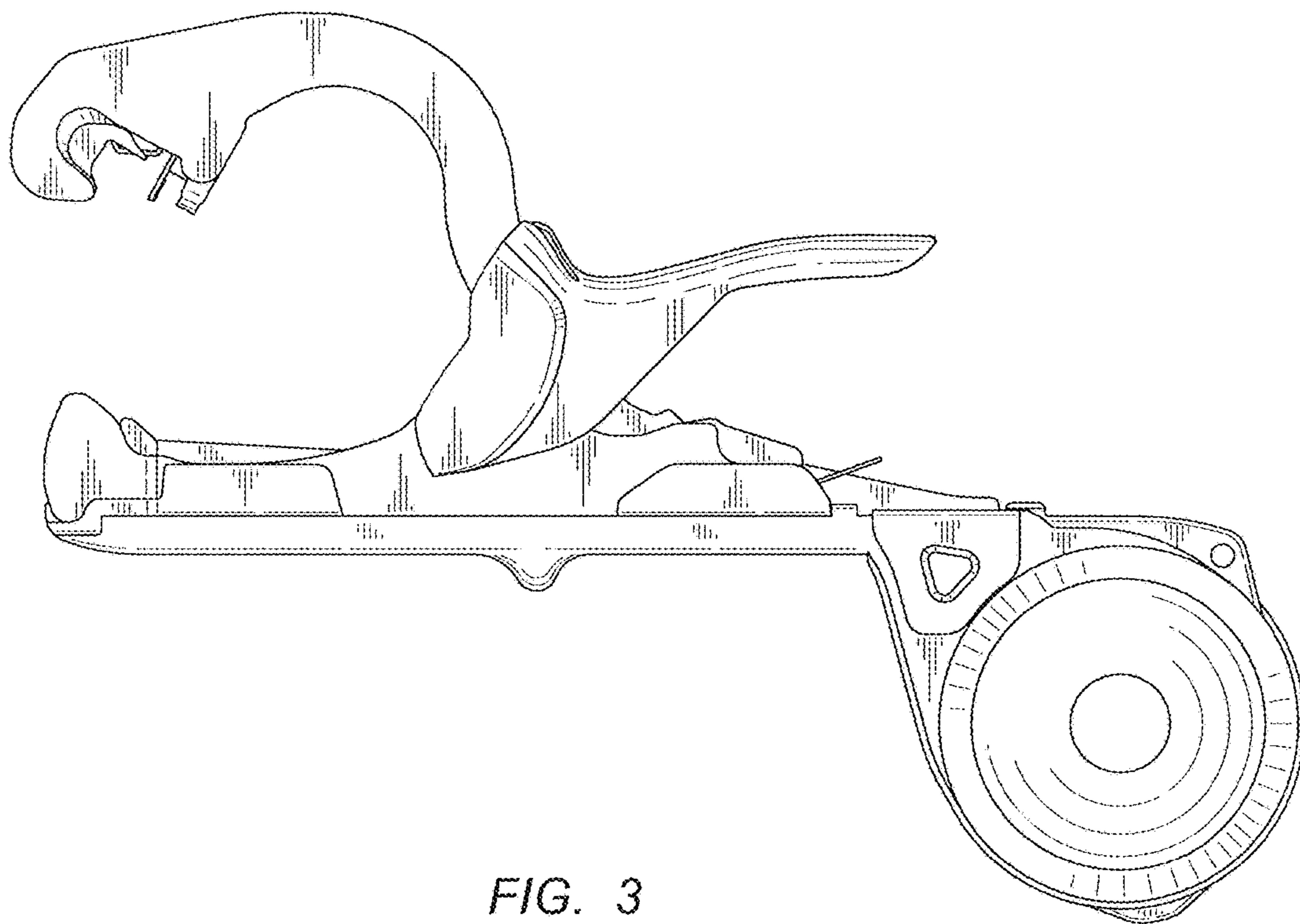


FIG. 3

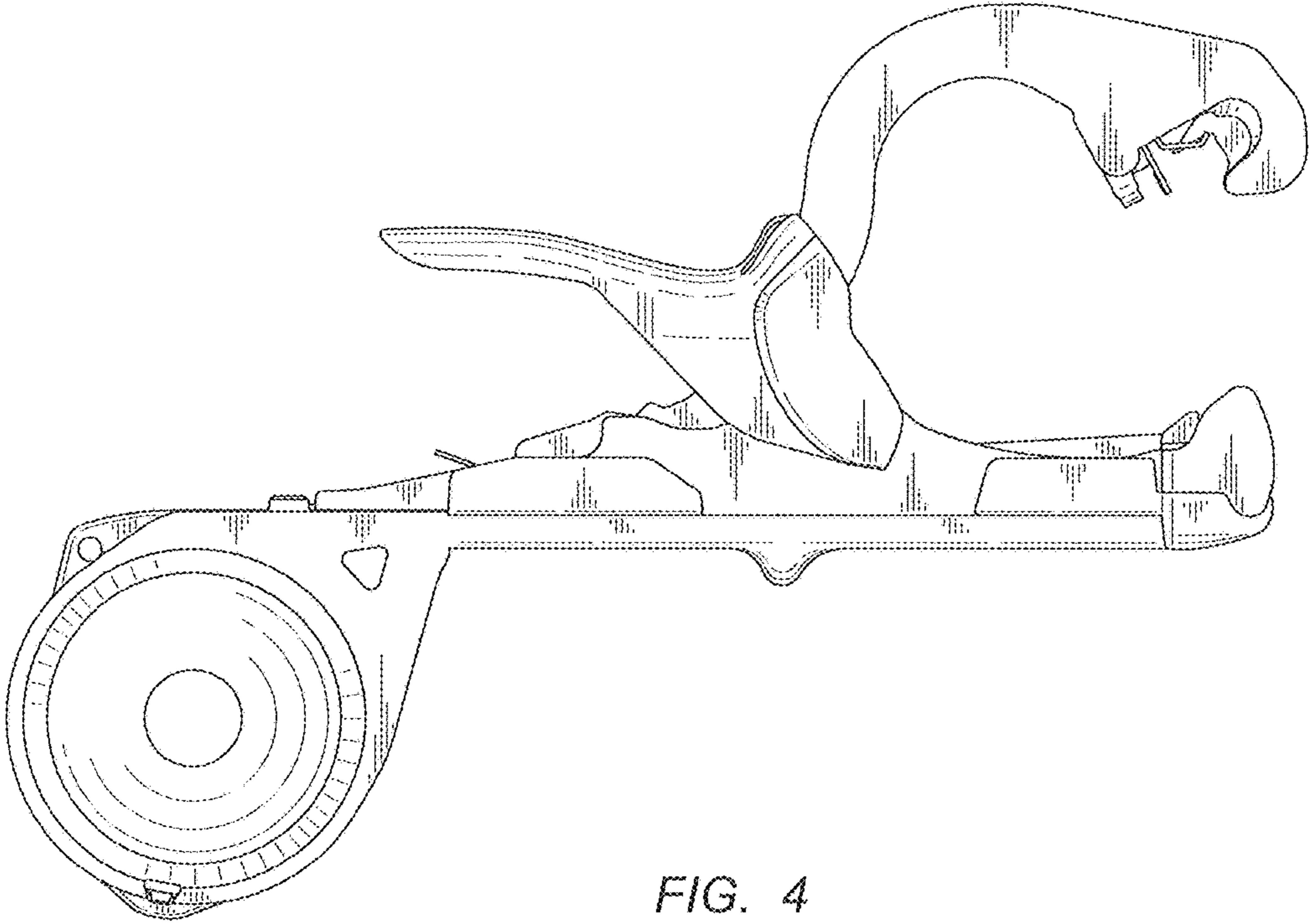


FIG. 4

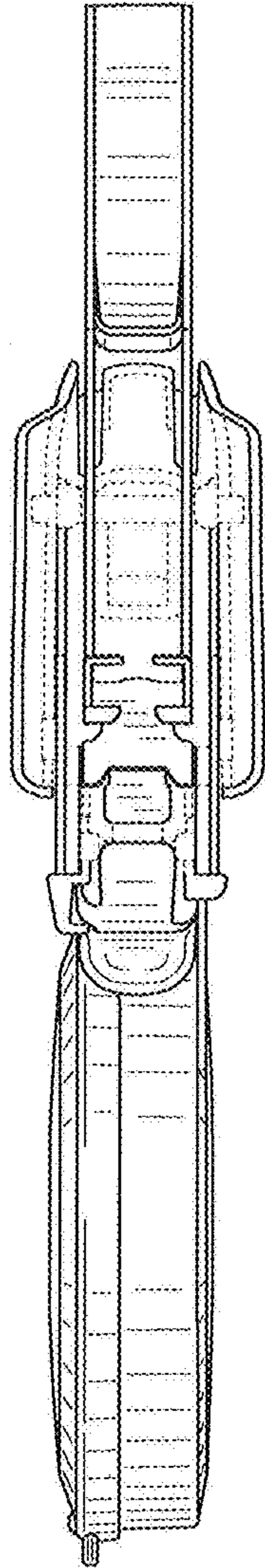


FIG. 5

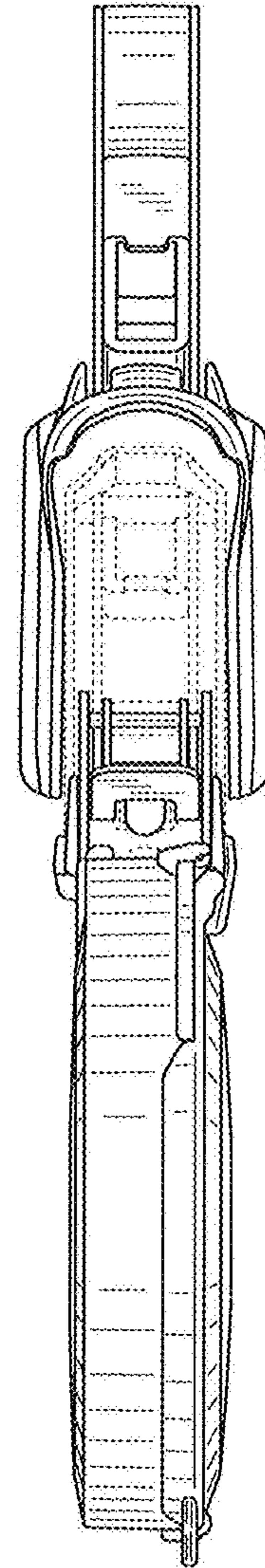


FIG. 6

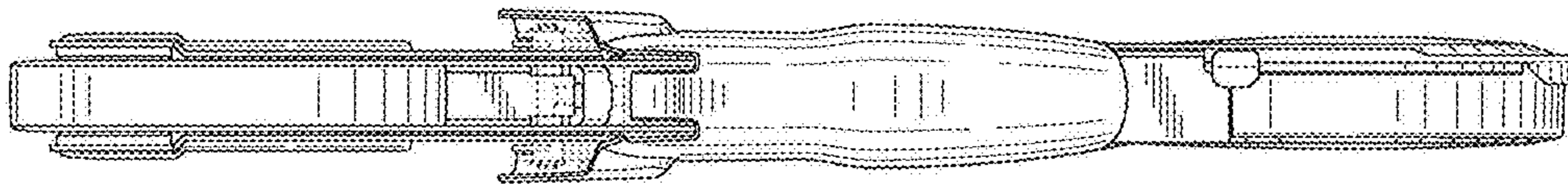


FIG. 7

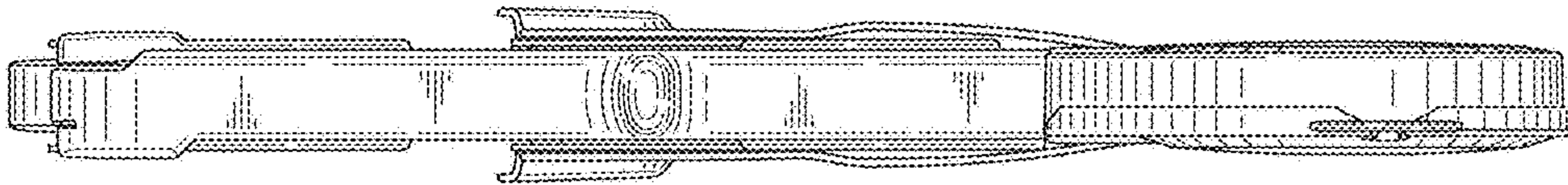


FIG. 8