



US00D828123S

(12) **United States Design Patent** (10) **Patent No.:** **US D828,123 S**
Stewart et al. (45) **Date of Patent:** **** Sep. 11, 2018**

(54) **STRIPPING TOOL FOR LEAFY VEGETABLES AND HERBS**
(71) Applicant: **Taylor Precision Products, Inc.**,
Seattle, WA (US)
(72) Inventors: **Joshua Stewart**, Edmonds, WA (US);
Jason Liang, Seattle, WA (US)
(73) Assignee: **Taylor Precision Products, Inc.**,
Seattle, WA (US)
(**) Term: **15 Years**
(21) Appl. No.: **29/591,716**
(22) Filed: **Jan. 23, 2017**
(51) **LOC (11) Cl.** **07-04**
(52) **U.S. Cl.**
USPC **D7/693**
(58) **Field of Classification Search**
USPC D7/693, 381, 669, 368, 675, 673; D8/98,
D8/102, 104, 105
CPC .. A47J 17/02; A47J 17/00; A47J 17/04; A47J
17/06; A47J 17/08; A47J 43/00; A47J
43/0722; A47J 43/28; B26D 3/00; B26D
3/24

See application file for complete search history.

(56) **References Cited**
U.S. PATENT DOCUMENTS
D681,081 S * 4/2013 Neal, Jr. D15/139
* cited by examiner

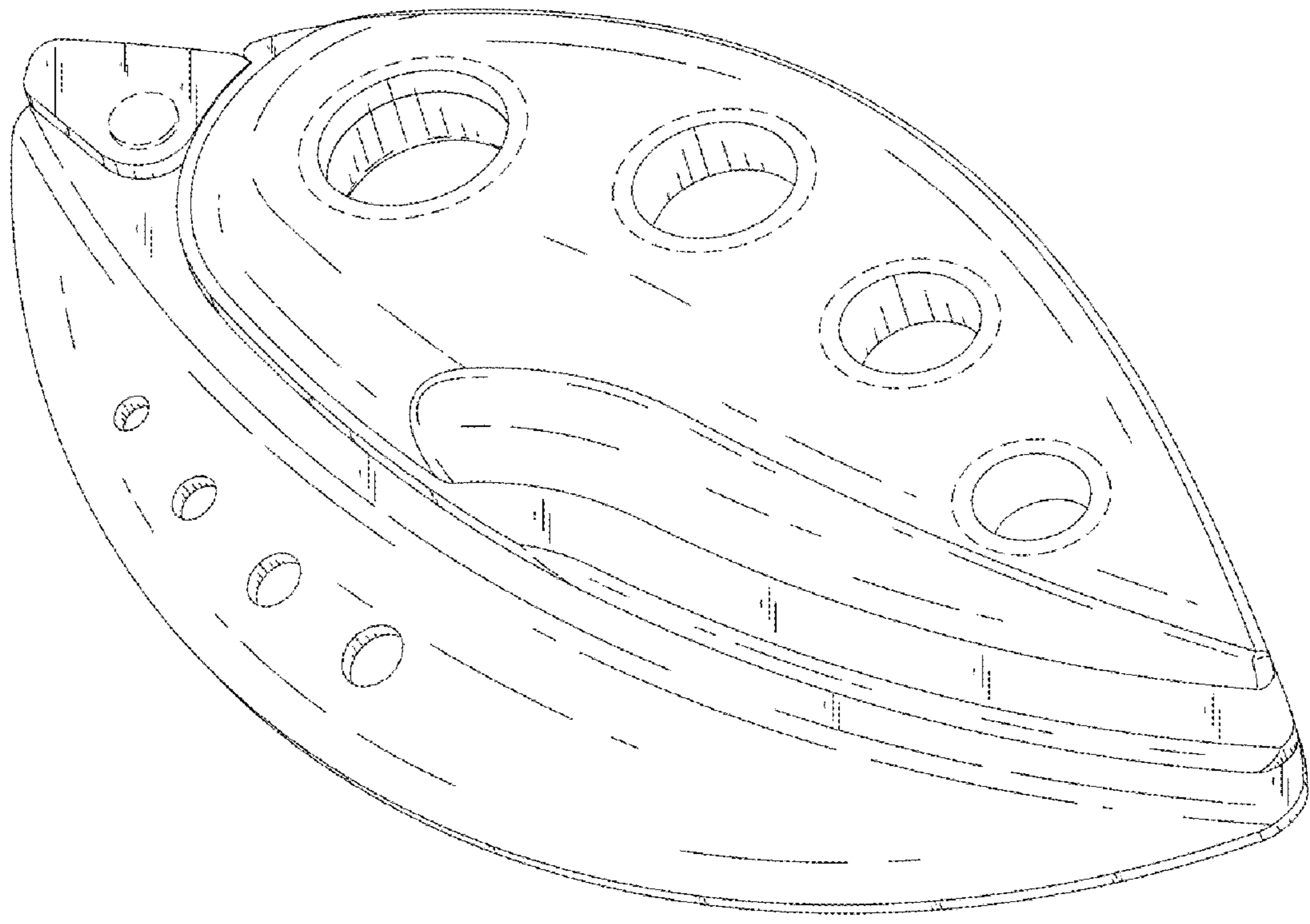
Primary Examiner — Terry A Wallace
(74) *Attorney, Agent, or Firm* — Seed Intellectual
Property Law Group LLP

(57) **CLAIM**
The ornamental design for a stripping tool for leafy vegetables and herbs, as shown and described.

DESCRIPTION

FIG. 1 is a top perspective view of a stripping tool for leafy vegetables and herbs showing our new design.
FIG. 2 is a bottom perspective view thereof.
FIG. 3 is a top plan view thereof.
FIG. 4 is a bottom plan view thereof.
FIG. 5 is a right side view thereof.
FIG. 6 is a left side view thereof.
FIG. 7 is a rear elevation view thereof; and,
FIG. 8 is a front elevation view thereof.
The broken lines in the figures form no part of the claimed design.

1 Claim, 4 Drawing Sheets



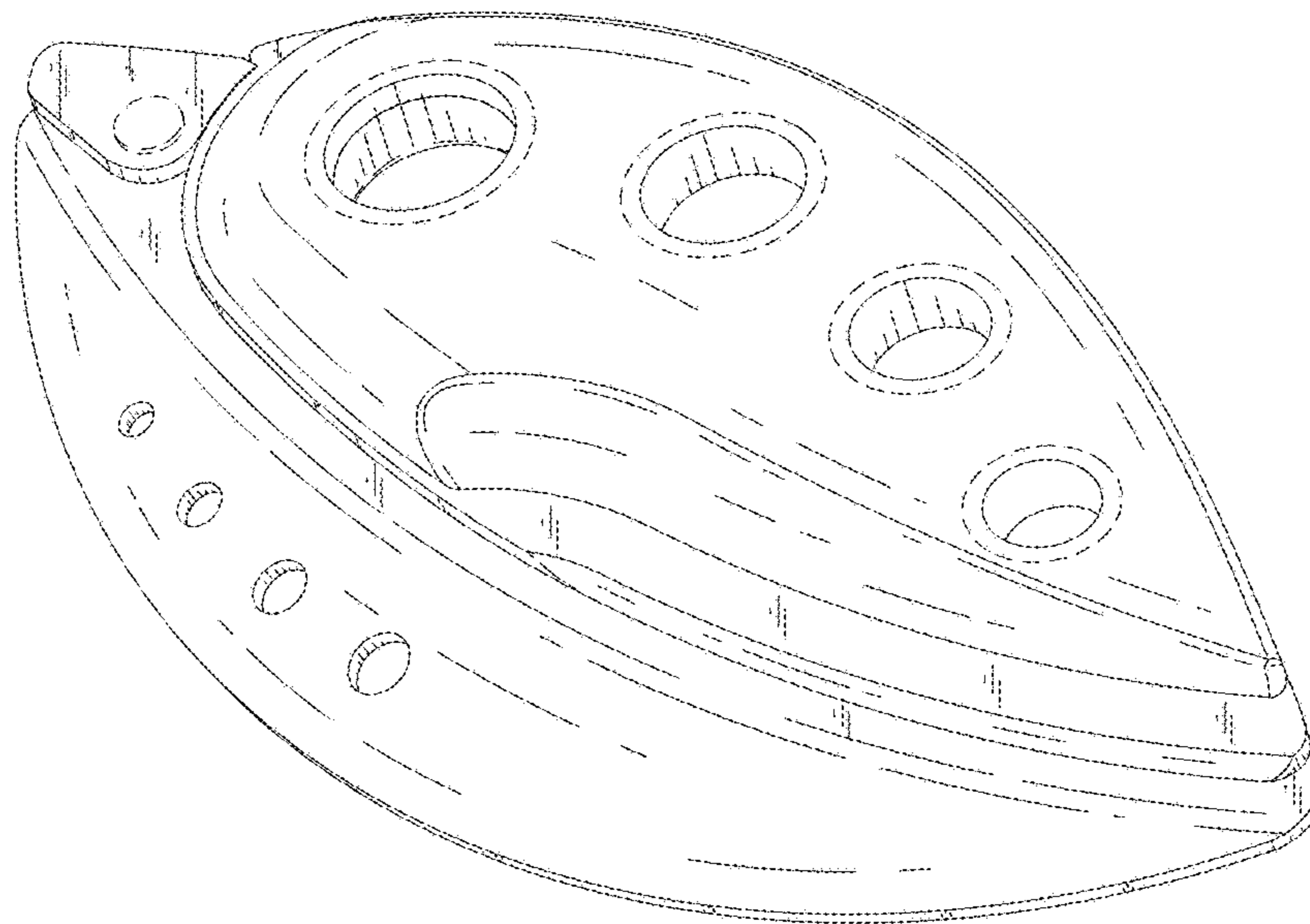


FIG. 1

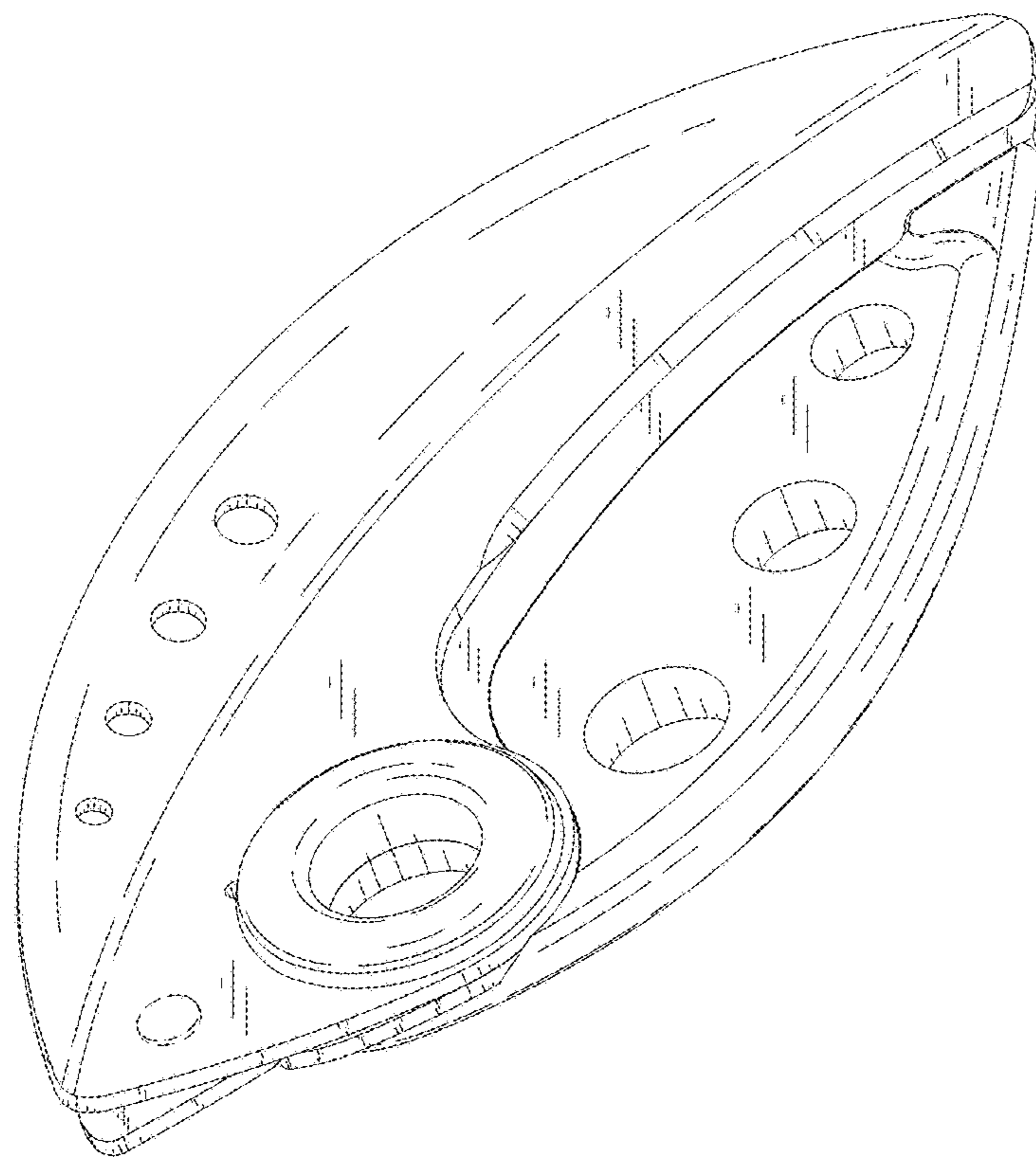


FIG. 2

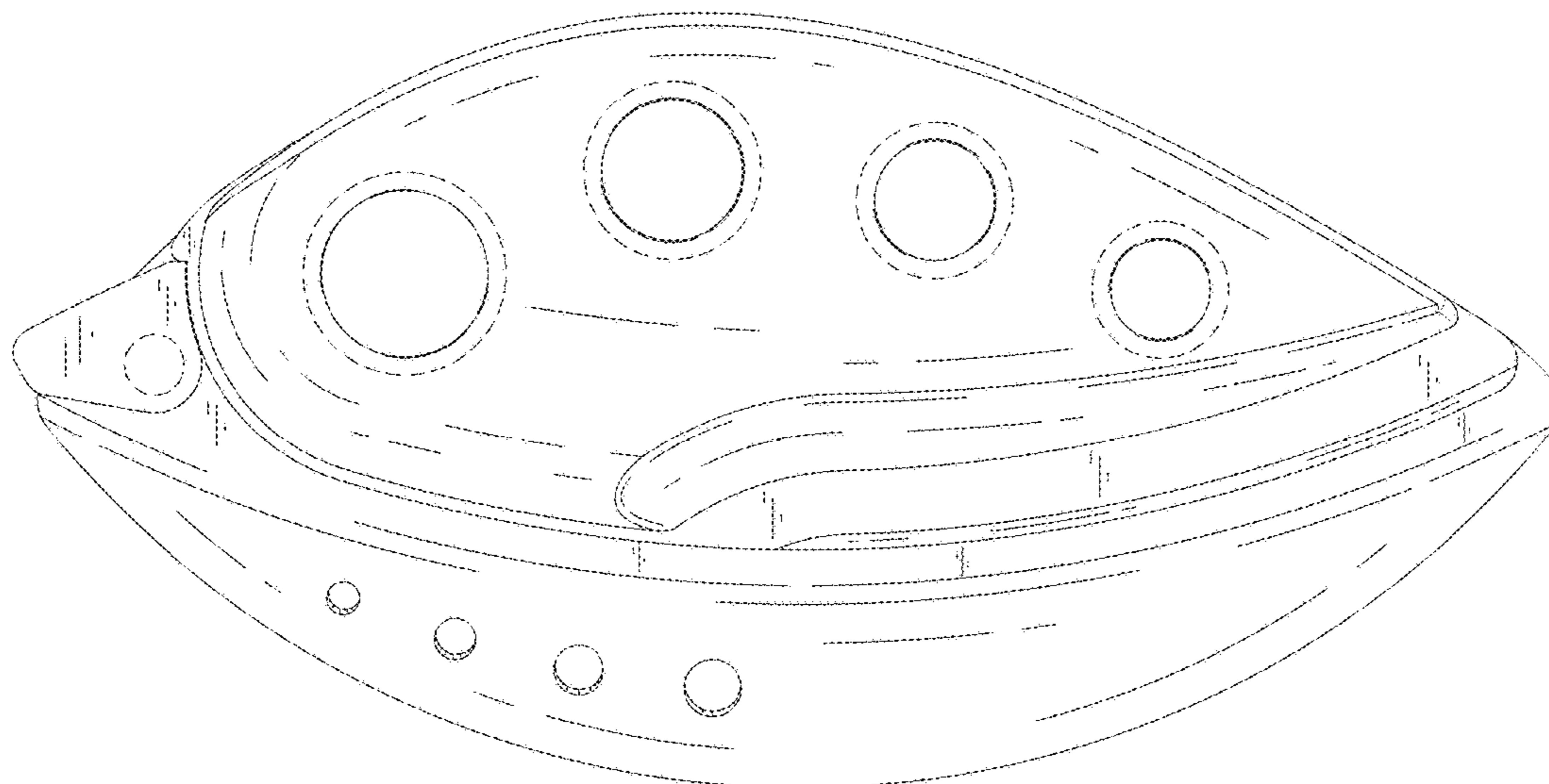


FIG. 3

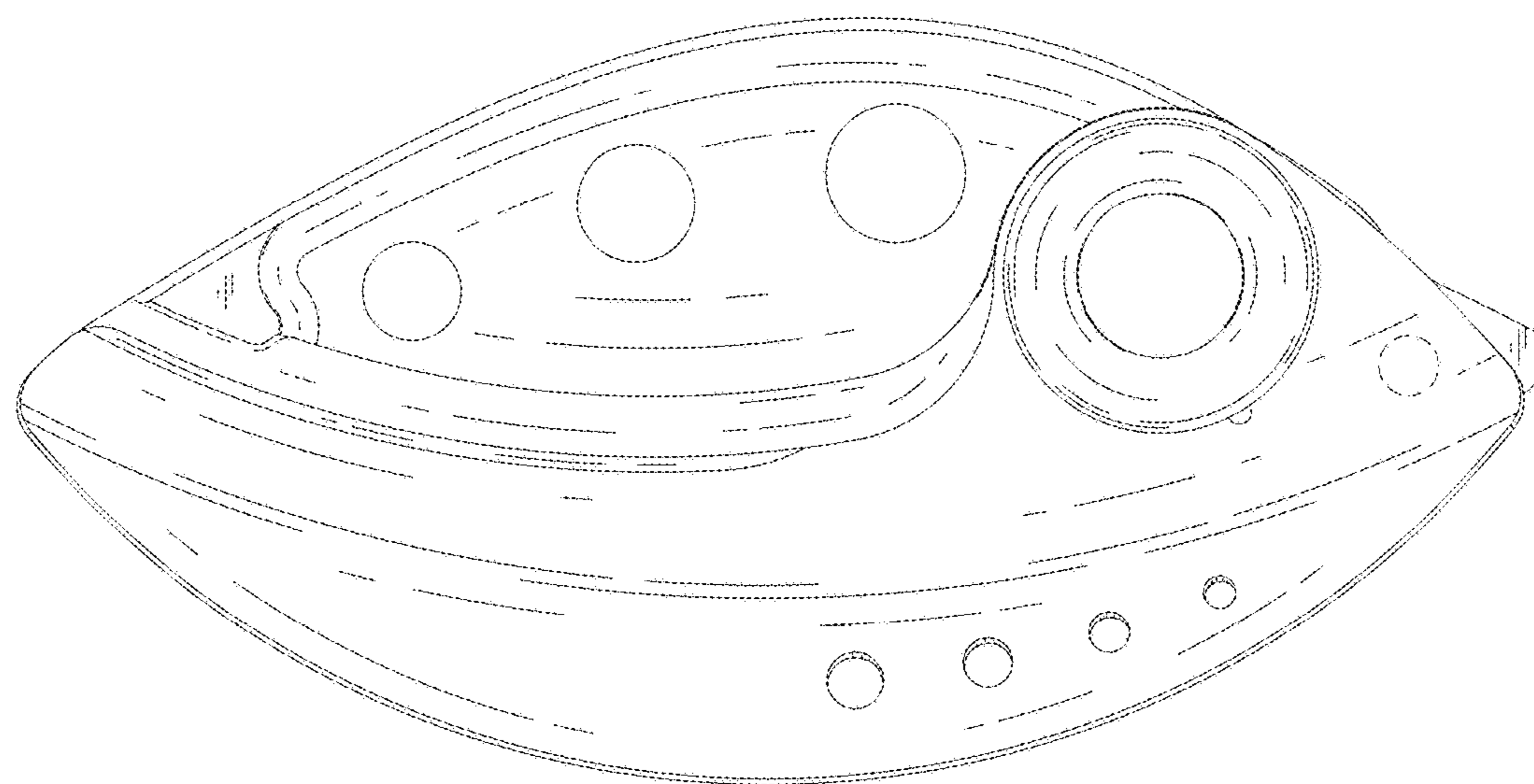


FIG. 4

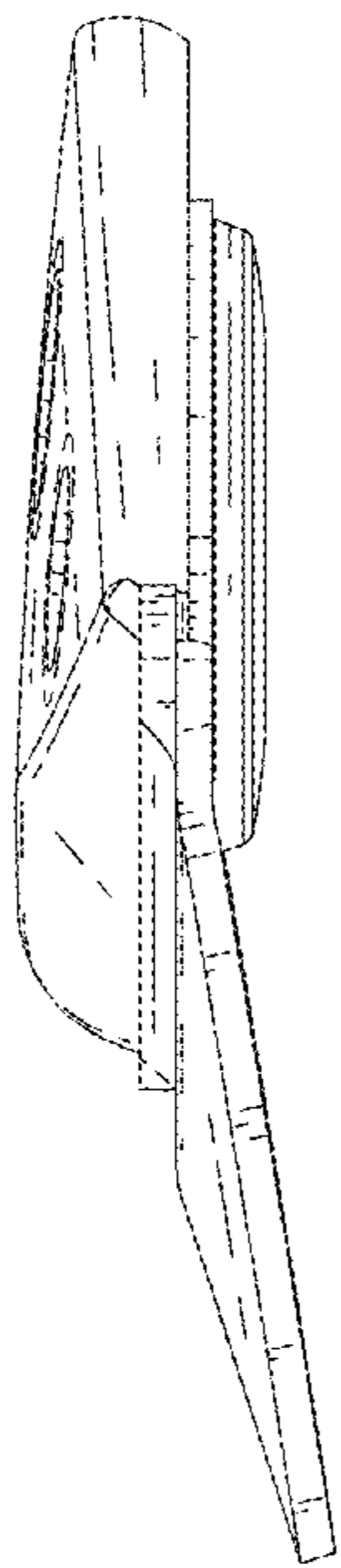


FIG. 5

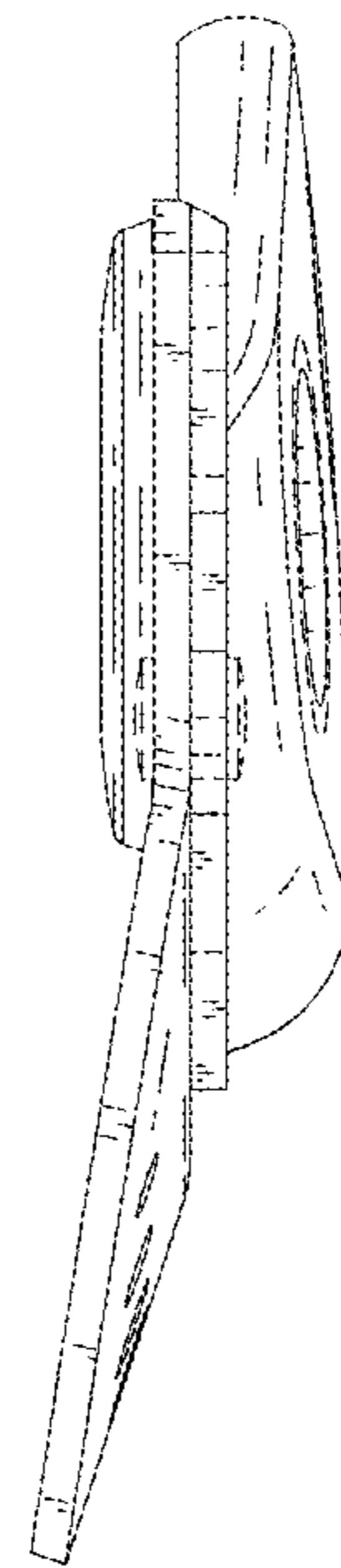


FIG. 6

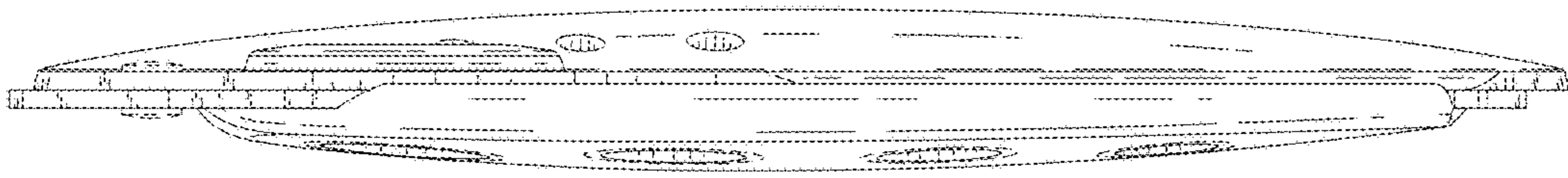


FIG. 7

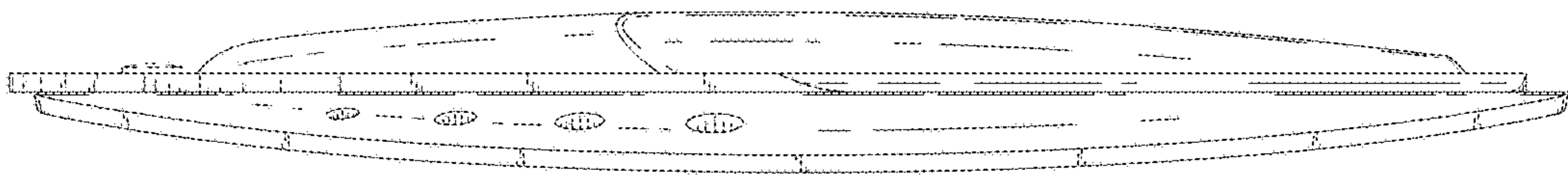


FIG. 8