



US00D828122S

(12) **United States Design Patent** (10) **Patent No.:** **US D828,122 S**
Levine (45) **Date of Patent:** **** Sep. 11, 2018**

(54) **MOLD**

(71) Applicant: **Cheryl Levine**, Port Washington, NY (US)

(72) Inventor: **Cheryl Levine**, Port Washington, NY (US)

(**) Term: **15 Years**

(21) Appl. No.: **29/609,832**

(22) Filed: **Jul. 6, 2017**

(51) **LOC (11) Cl.** **07-04**

(52) **U.S. Cl.**
USPC **D7/675**

(58) **Field of Classification Search**
USPC D7/672, 675-677, 354, 357; D15/90;
D11/95-99, 114-116; D99/25
CPC A23G 9/221; A23G 9/083; A23G 9/26;
A21B 31/132; A21B 3/13; A21C 11/00;
A21C 11/12; A21C 9/066
See application file for complete search history.

(56) **References Cited**

U.S. PATENT DOCUMENTS

- 534,633 A * 2/1895 Coleman F25C 1/24
D7/672
- D253,332 S * 11/1979 Rich D7/357

- D257,817 S * 1/1981 Young D7/354
- D319,604 S * 9/1991 Peterson D11/95
- D367,436 S * 2/1996 Bloch D11/95
- D500,426 S * 1/2005 Newman D7/357
- D569,300 S * 5/2008 Glinberg D11/96
- D684,417 S * 6/2013 Barber D7/354
- D689,328 S * 9/2013 Hollinger D7/354
- D712,707 S * 9/2014 Altounian D7/675
- D715,513 S * 10/2014 Shelton D99/25
- D728,414 S * 5/2015 O'Flanagan D11/96
- D801,851 S * 11/2017 Maufas D11/99

* cited by examiner

Primary Examiner — Susan Bennett Hattan

Assistant Examiner — Brett Miller

(74) *Attorney, Agent, or Firm* — Collard & Roe, P.C.

(57) **CLAIM**

The ornamental design for a mold, as shown and described.

DESCRIPTION

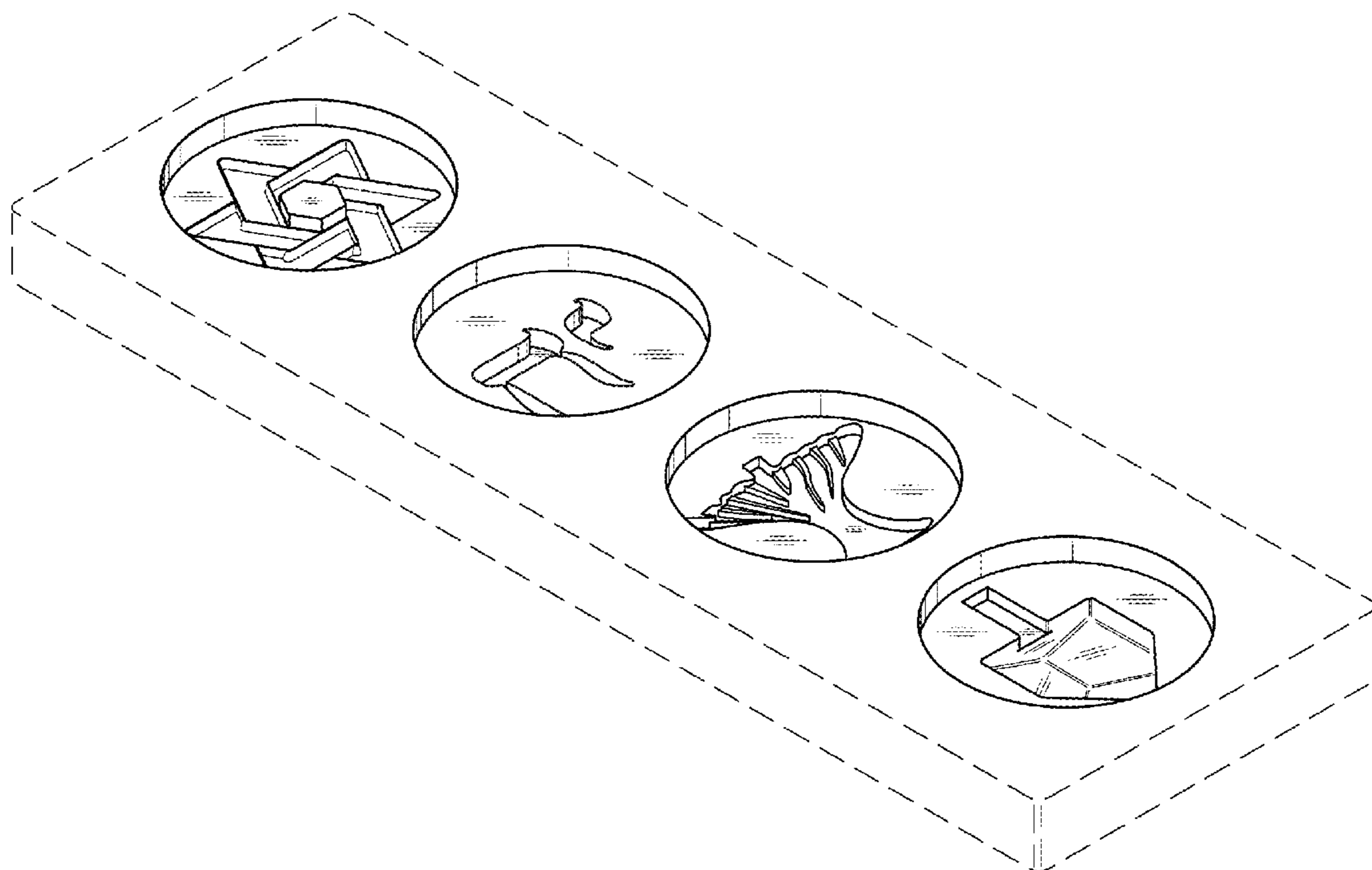
FIG. 1 is a left side, front and top perspective view of a mold, showing my new design;

FIG. 2 is a right side, rear and top perspective view thereof; and,

FIG. 3 is top view thereof.

The areas shown in broken lines depict environmental structure only and form no part of the claimed design.

1 Claim, 3 Drawing Sheets



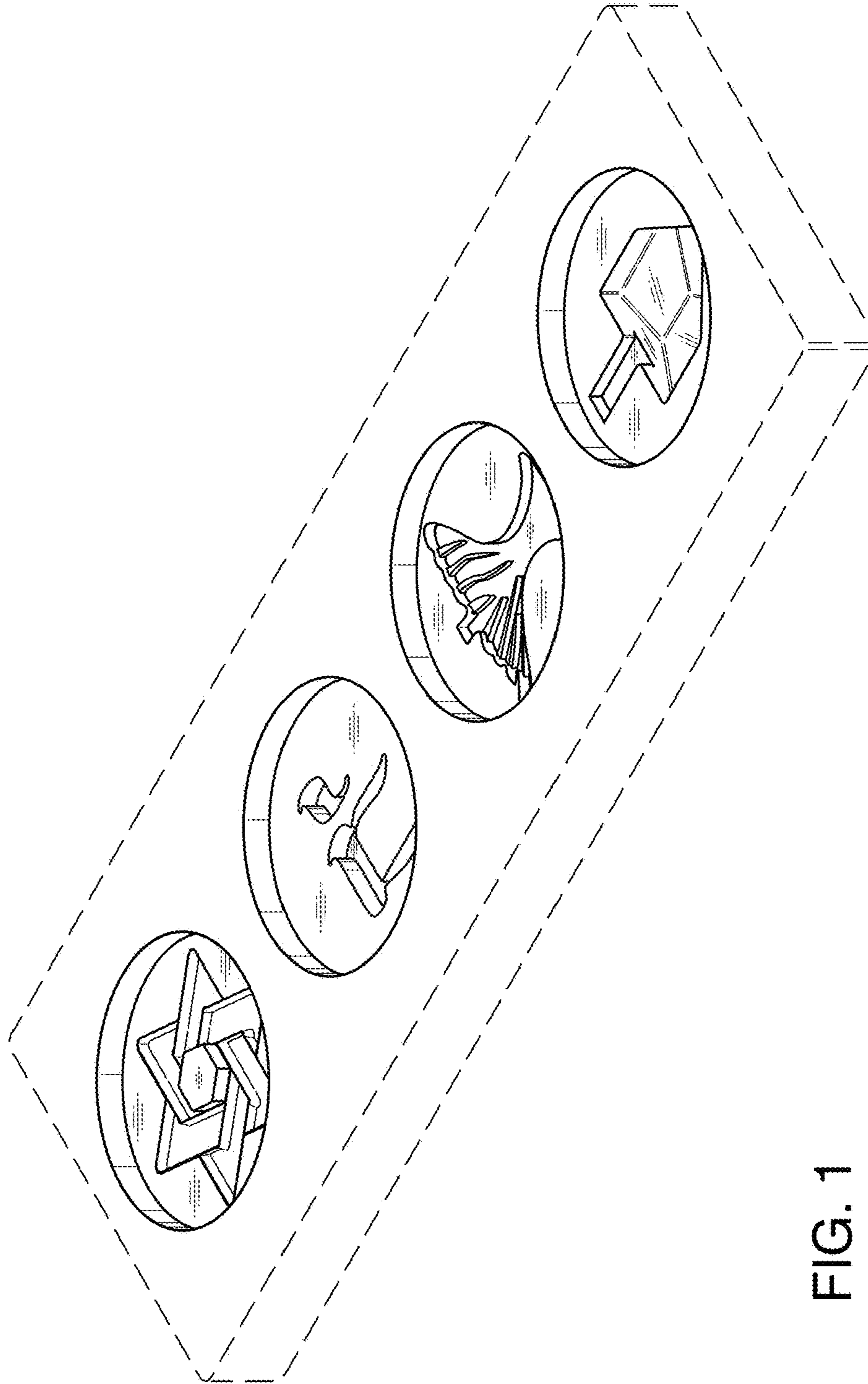


FIG. 1

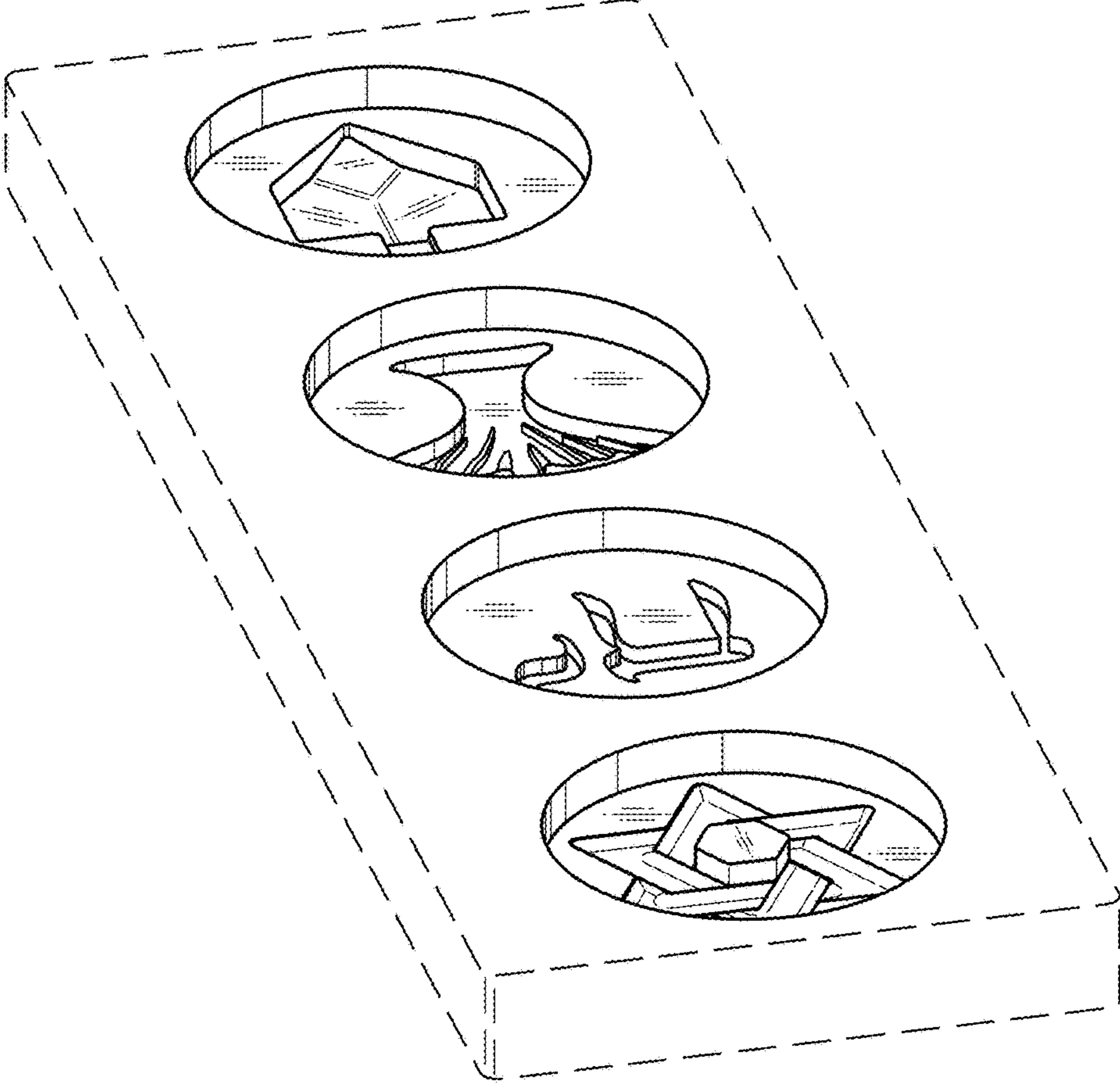


FIG. 2

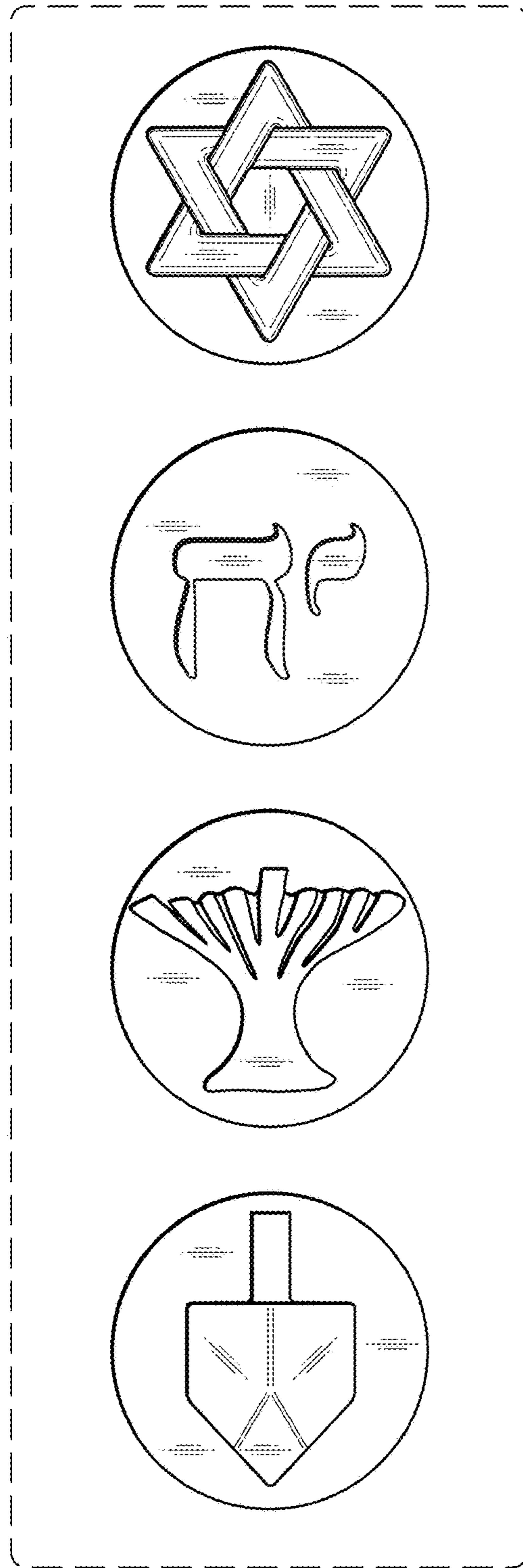


FIG. 3