



US00D828121S

(12) **United States Design Patent** (10) **Patent No.:** **US D828,121 S**
Lu (45) **Date of Patent:** **** Sep. 11, 2018**

(54) **SLICER**
(71) Applicant: **Cong Qiang Lu**, Taizhou (CN)
(72) Inventor: **Cong Qiang Lu**, Taizhou (CN)
(**) Term: **15 Years**
(21) Appl. No.: **29/586,804**
(22) Filed: **Dec. 7, 2016**
(51) **LOC (11) Cl.** **07-04**
(52) **U.S. Cl.**
USPC **D7/673**
(58) **Field of Classification Search**
USPC D7/672-677, 354, 693-696, 678
CPC A47J 43/00; A47J 43/25; B26D 2210/02;
B26D 1/143; B26D 3/283; B26D 3/26;
B26D 3/185; B26D 2003/288; B26D
2003/286; B26D 2003/285; B26D
2003/287
See application file for complete search history.

(56) **References Cited**
U.S. PATENT DOCUMENTS
D87,762 S * 9/1932 Stewart D7/672
D330,316 S * 10/1992 So D7/678
D603,663 S * 11/2009 Bodum D7/678
D634,590 S * 3/2011 Ferguson D7/673
D683,599 S * 6/2013 Hand D7/672
D687,267 S * 8/2013 Harris D7/673
D694,591 S * 12/2013 Hand D7/672

D770,869 S * 11/2016 Stahl D7/672
D782,885 S * 4/2017 Harris D7/673
2009/0249936 A1* 10/2009 Peterson B26D 3/26
83/859

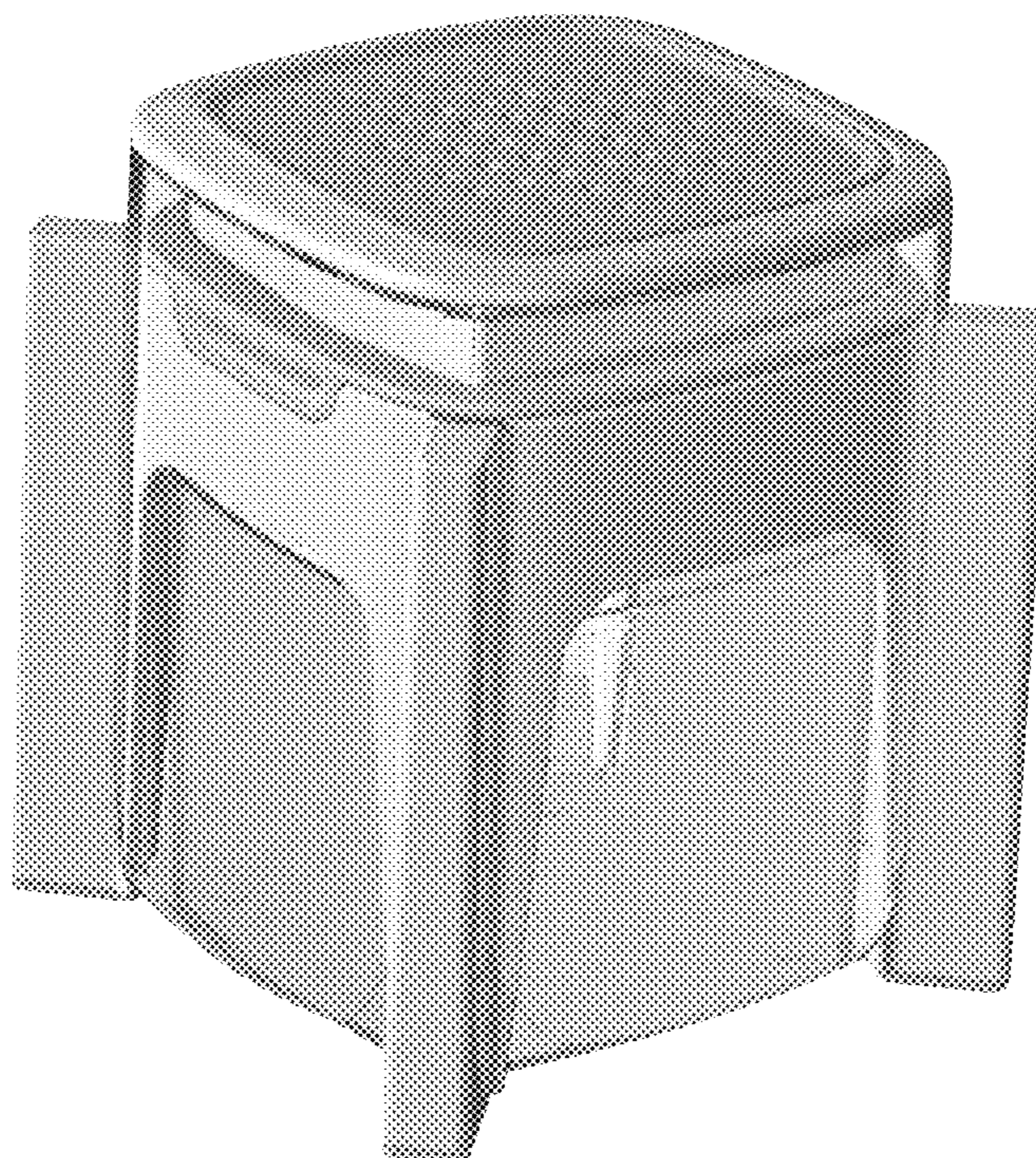
* cited by examiner

Primary Examiner — Susan B Hattan
Assistant Examiner — Brett A Miller
(74) *Attorney, Agent, or Firm* — James Creighton Wray;
Meera P. Narasimhan

(57) **CLAIM**
The design for a slicer, as shown and described.

DESCRIPTION
FIG. 1 is a perspective view of the slicer, showing my new design. The opposite side perspective view is identical except for the placement of the “Open←→Close” indicia on the top of the slicer.
FIG. 2 is a top view of the slicer.
FIG. 3 is a bottom view of the slicer.
FIG. 4 is a perspective view of the pressing element of the slicer, shown in isolation.
FIG. 5 is a perspective view of the stand element of the slicer, shown in isolation.
FIG. 6 is a perspective view of the slicing insert element of the slicer, shown in isolation; and,
FIG. 7 is a side perspective view of the collecting bowl element of the slicer, shown in isolation. The four sides of the collecting bowl element are identical.

1 Claim, 7 Drawing Sheets



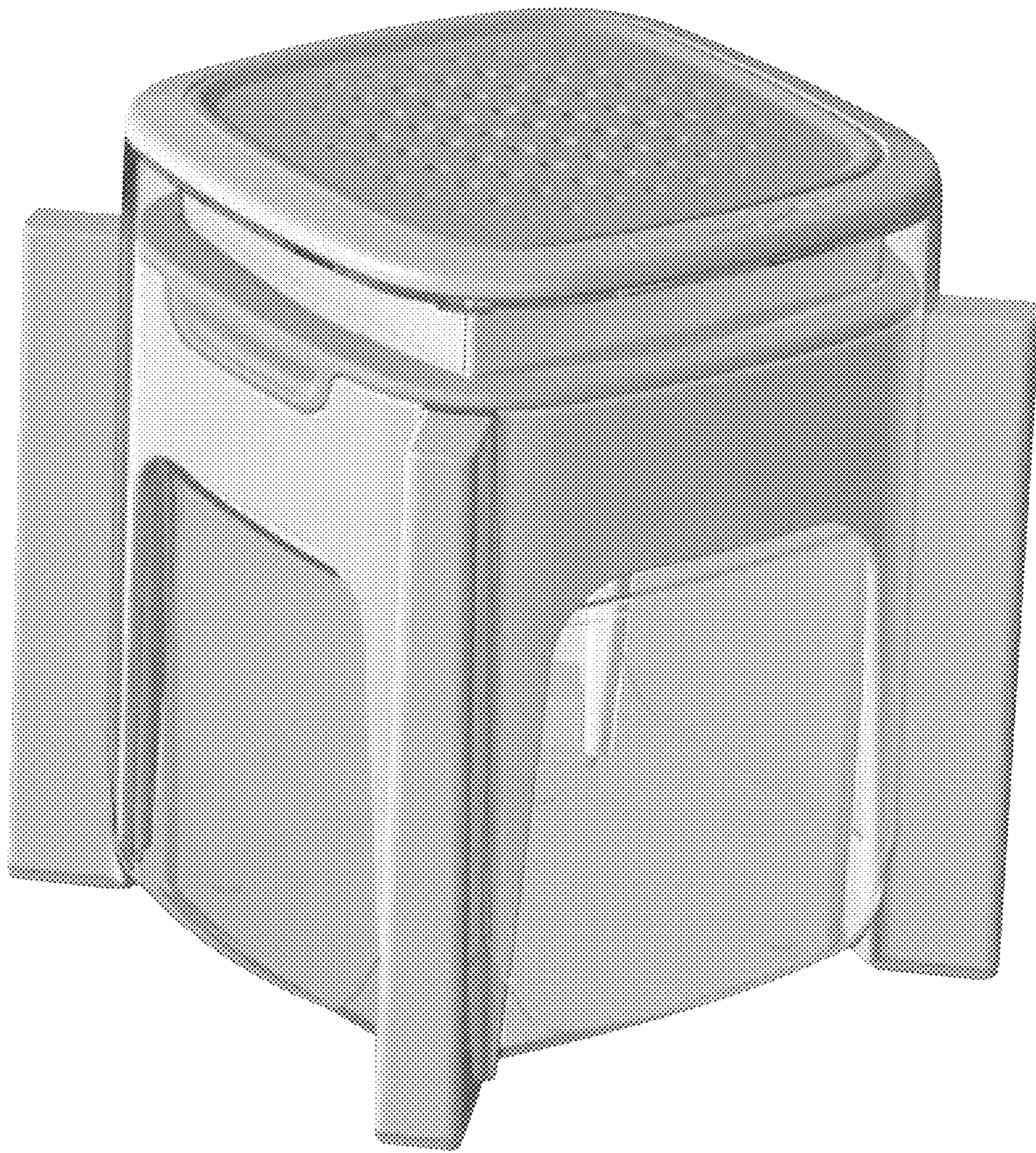


FIG. 1



FIG. 2

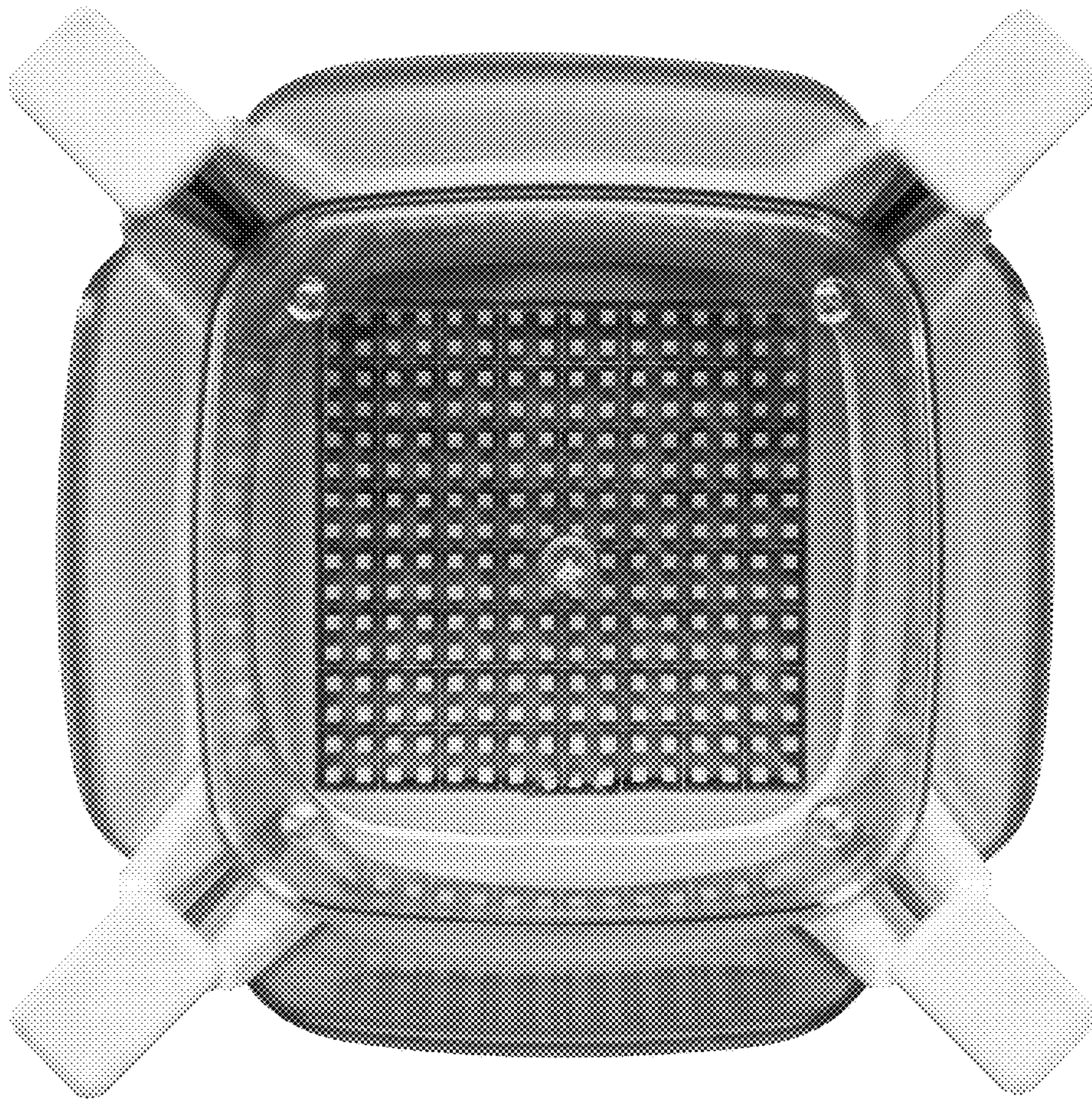


FIG. 3



FIG. 4



FIG. 5

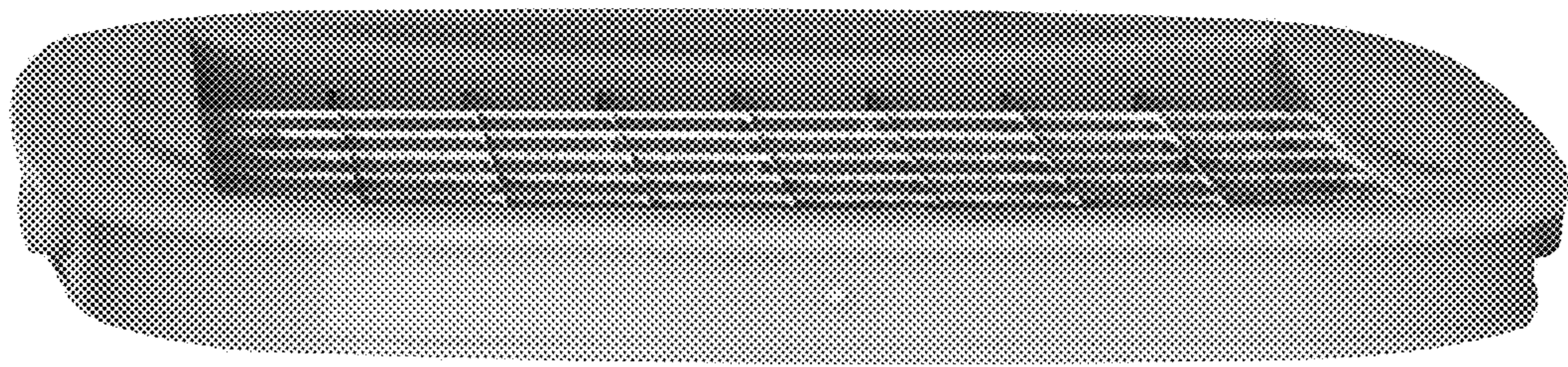


FIG. 6

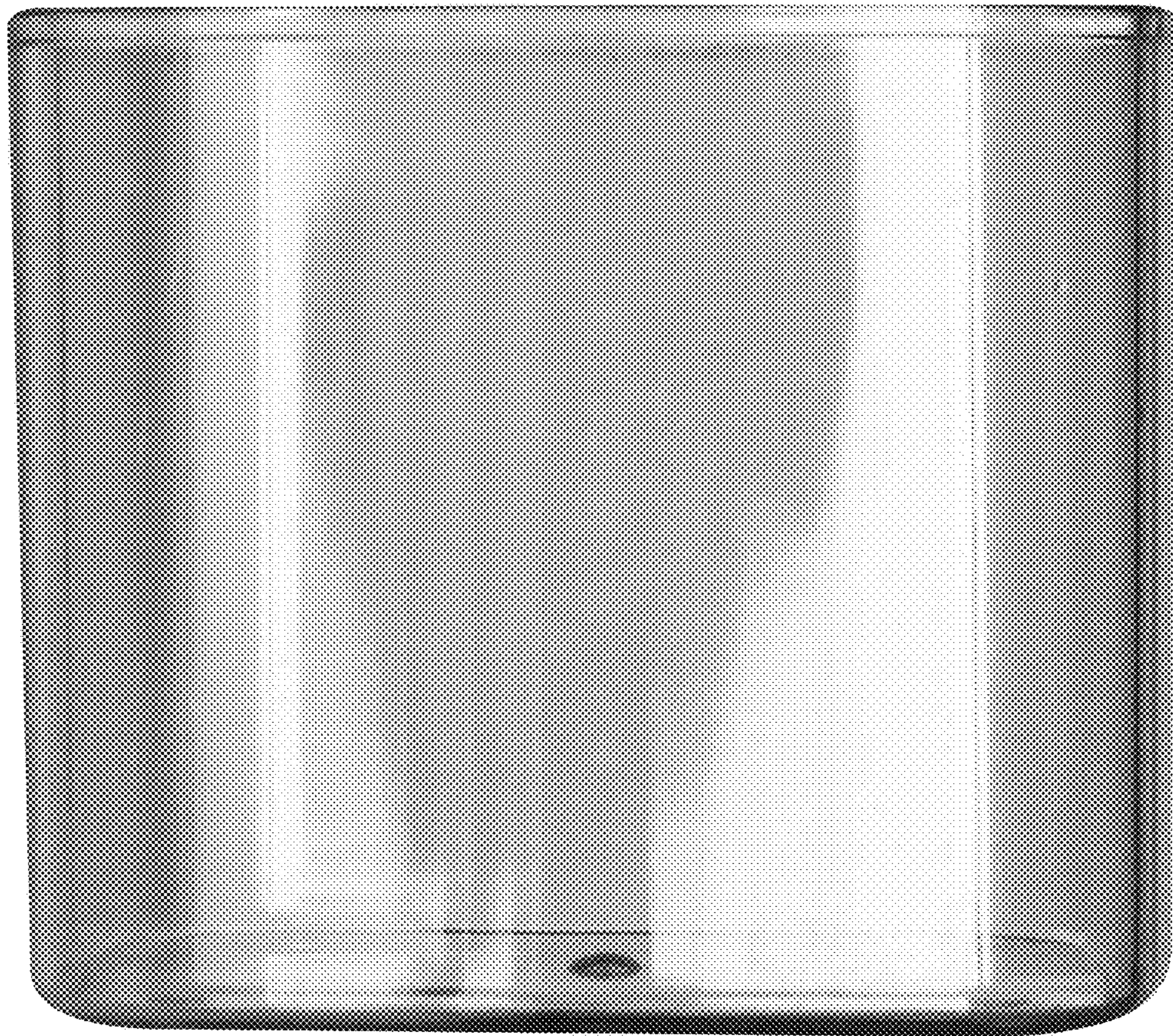


FIG. 7