



US00D828120S

(12) **United States Design Patent** (10) **Patent No.:** **US D828,120 S**
Byeon et al. (45) **Date of Patent:** **** Sep. 11, 2018**

(54) **ARANCINI MAKER**
(71) Applicant: **Dart Industries Inc.**, Orlando, FL (US)
(72) Inventors: **Dongjin Byeon**, Aalst (BE); **Michiel G. H. P. E. Vanneste**, Aalst (BE); **Thomas A. De Rycke**, Ghent (BE)
(73) Assignee: **Dart Industries Inc.**, Orlando, FL (US)
(**) Term: **15 Years**

D781,932 S * 3/2017 Yoshikawa D15/80
D803,904 S * 11/2017 Frank D15/90
D805,361 S * 12/2017 Bellacicco D7/672
D821,162 S * 6/2018 Mor D7/677
2010/0107900 A1 5/2010 Hanson
2012/0237656 A1* 9/2012 Henry A47J 37/01
426/512
2014/0178550 A1* 6/2014 Slutsky A47J 43/20
426/512
2015/0021458 A1* 1/2015 Zorovich F25C 1/22
249/134

(Continued)

(21) Appl. No.: **29/610,857**
(22) Filed: **Jul. 17, 2017**
(51) **LOC (11) Cl.** **07-04**
(52) **U.S. Cl.**
USPC **D7/672**
(58) **Field of Classification Search**
USPC D7/672, 675-677, 354, 357; D15/90
CPC .. F25C 1/22; F25C 1/243; A47J 43/20; A21C
11/106; A21C 9/068; A21C 14/00
See application file for complete search history.

OTHER PUBLICATIONS

Arancinotto Slim (Pointed) 160g; Amazon.com; Jan. 17, 2017.

Primary Examiner — Susan Bennett Hattan
Assistant Examiner — Brett Miller
(74) *Attorney, Agent, or Firm* — Taylor J. Ross

(57) **CLAIM**

The ornamental design for an arancini maker, as shown and described.

(56) **References Cited**

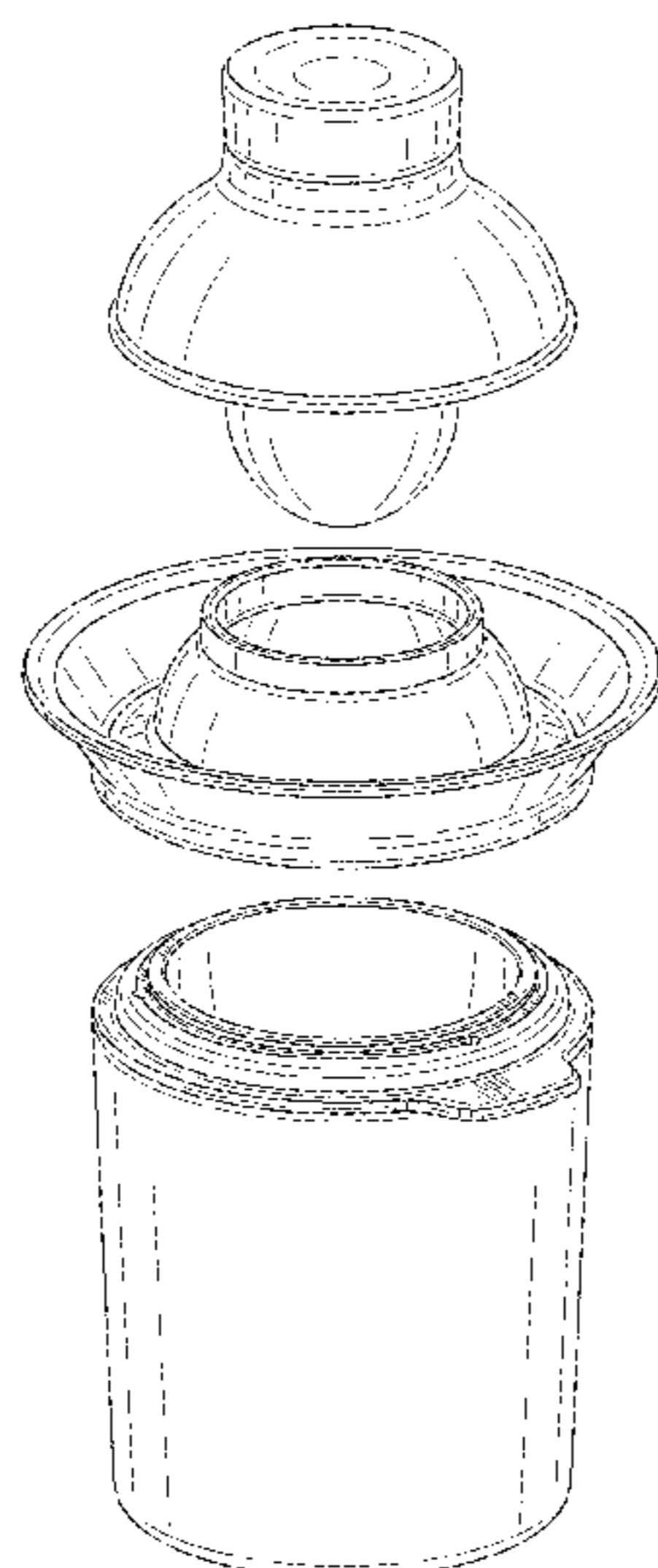
DESCRIPTION

U.S. PATENT DOCUMENTS

46,319 A * 2/1865 Allen A47J 43/20
425/318
436,818 A * 9/1890 Wiatt A47J 43/20
425/318
2,980,039 A * 4/1961 Jolly F25C 1/22
249/134
3,767,343 A * 10/1973 Pichonsky A21C 9/068
30/232
4,437,826 A 3/1984 Tezuka
5,305,687 A * 4/1994 Cantrell A47J 43/20
220/4.22
5,774,918 A * 7/1998 Cassell A21C 11/106
7/111
8,038,118 B1 10/2011 Ajakie
D684,019 S * 6/2013 Facey D7/354
D687,681 S * 8/2013 Barber D7/674
D734,106 S * 7/2015 Frank D7/672

FIG. 1 is a top, front and left side perspective view of an arancini maker showing our new design;
FIG. 2 is a bottom, rear and left side perspective view thereof;
FIG. 3 is a top plan view thereof;
FIG. 4 is a bottom plan view thereof;
FIG. 5 is a front elevation view, the rear elevation being a mirror image thereof;
FIG. 6 is a left side elevation view thereof;
FIG. 7 is a right side elevation view thereof;
FIG. 8 is a top, front and left exploded view of the arancini maker of FIG. 1; and,
FIG. 9 is a bottom, front and left exploded view of the arancini maker of FIG. 1.

1 Claim, 6 Drawing Sheets



(56)

References Cited

U.S. PATENT DOCUMENTS

2015/0296866 A1 10/2015 Mele

* cited by examiner

FIG. 1

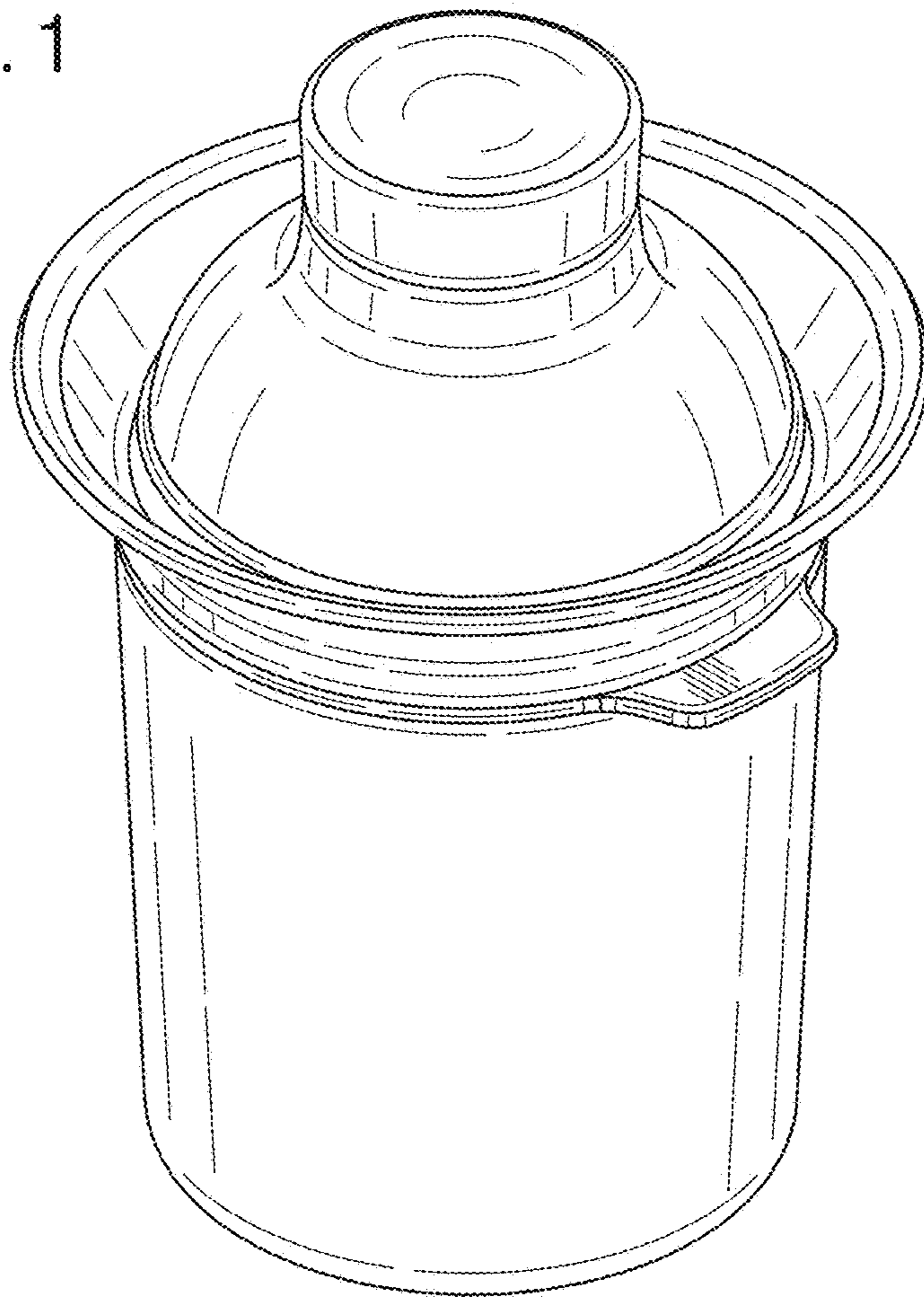


FIG. 3

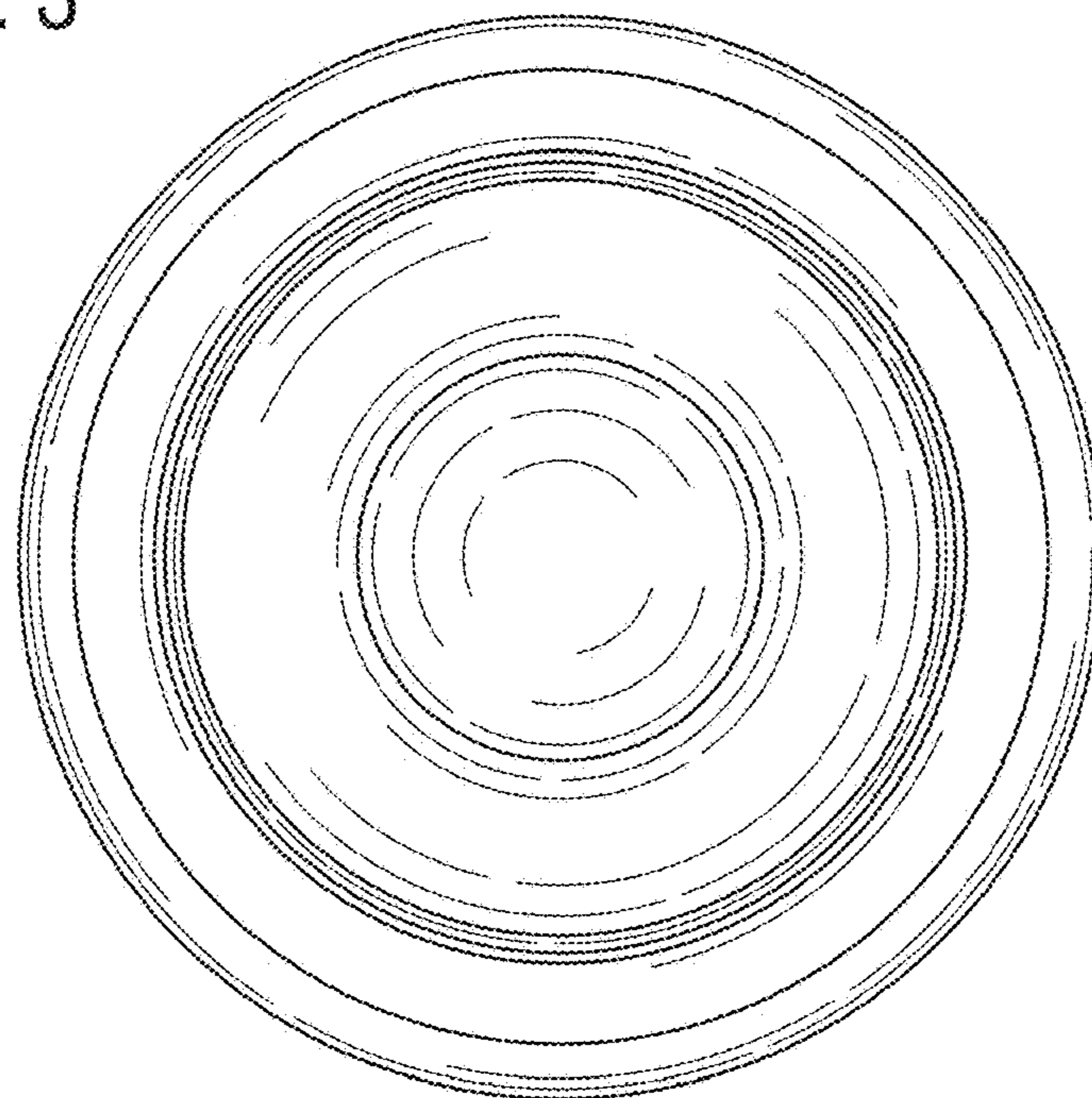


FIG. 2

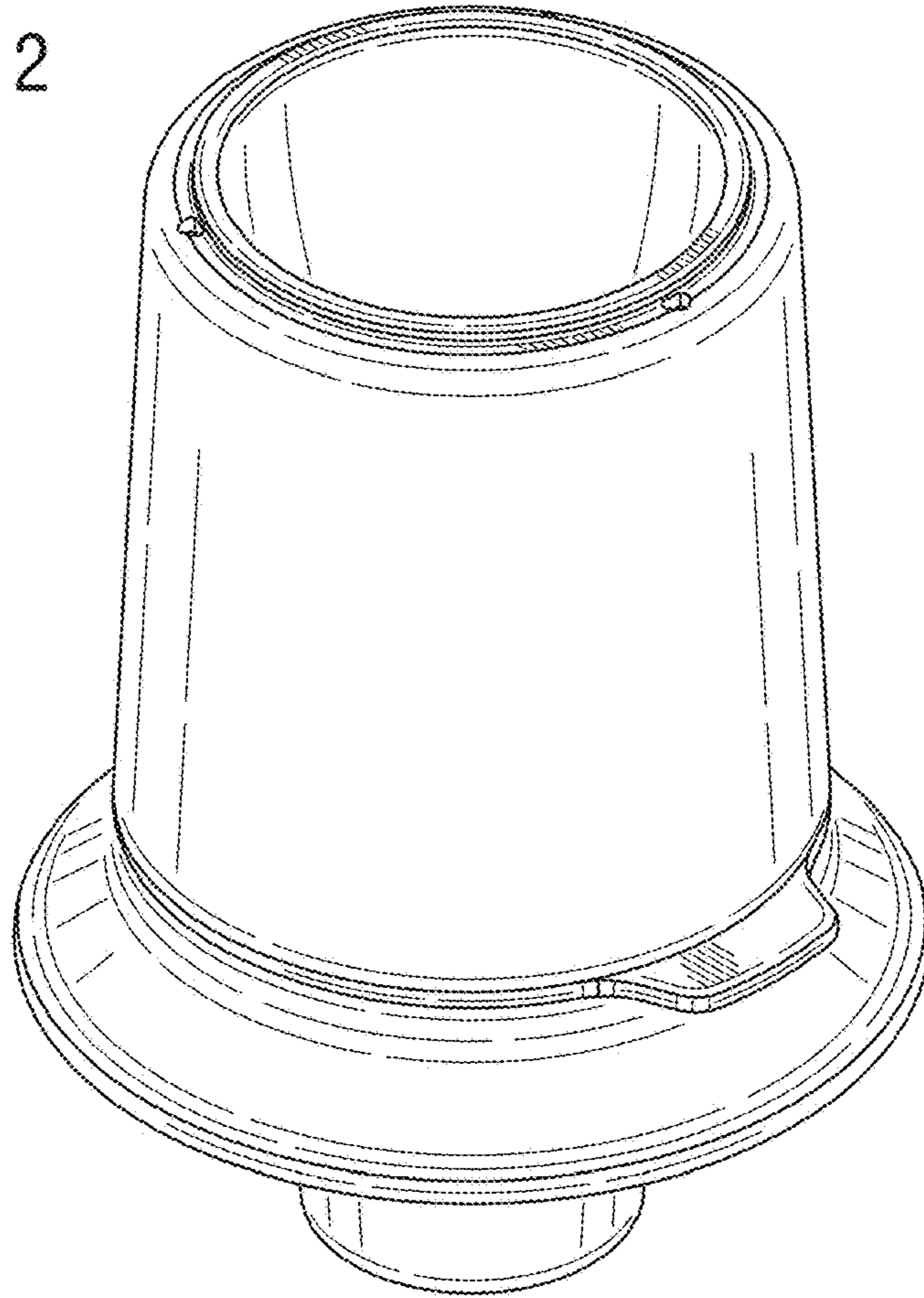
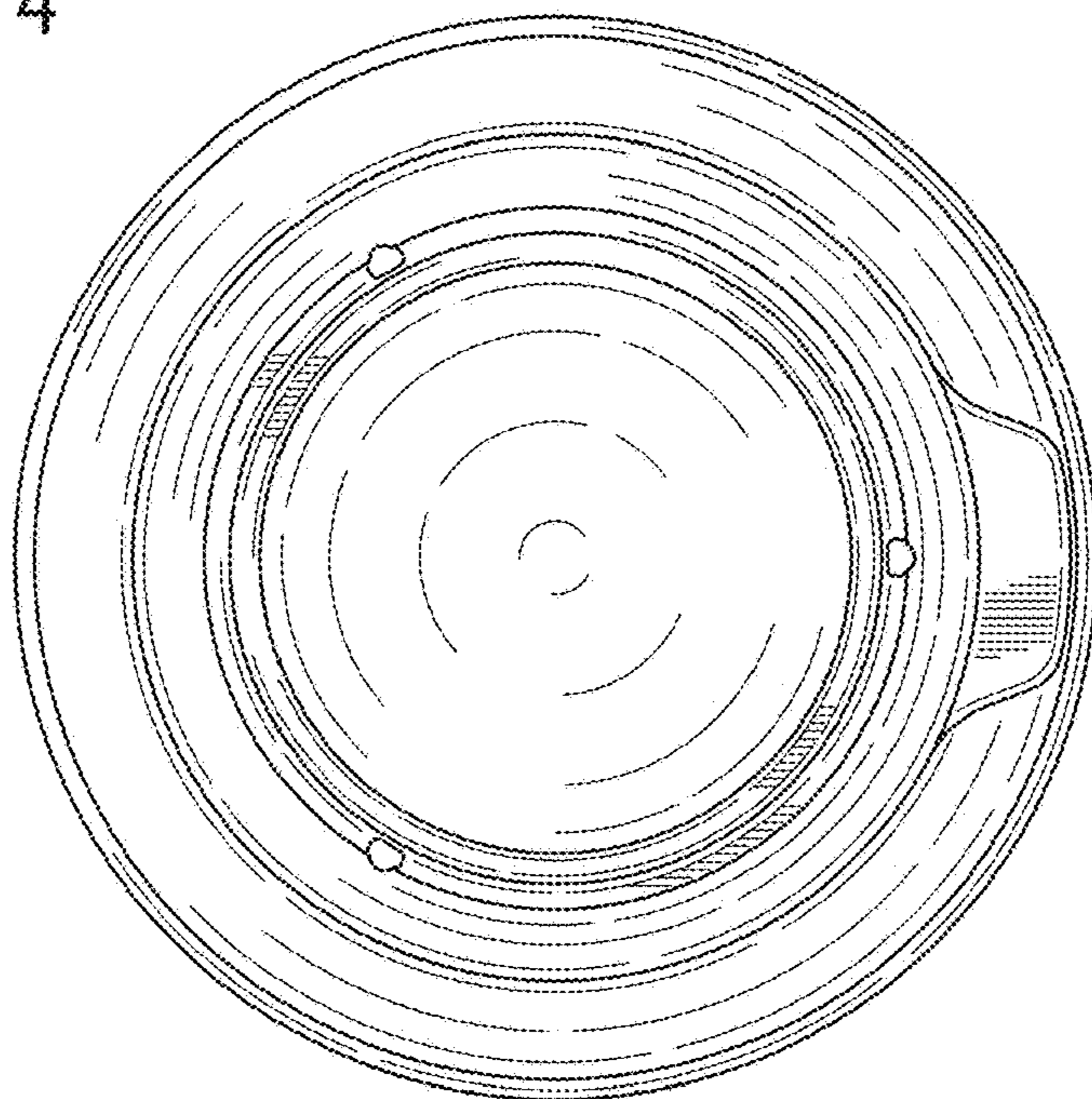


FIG. 4



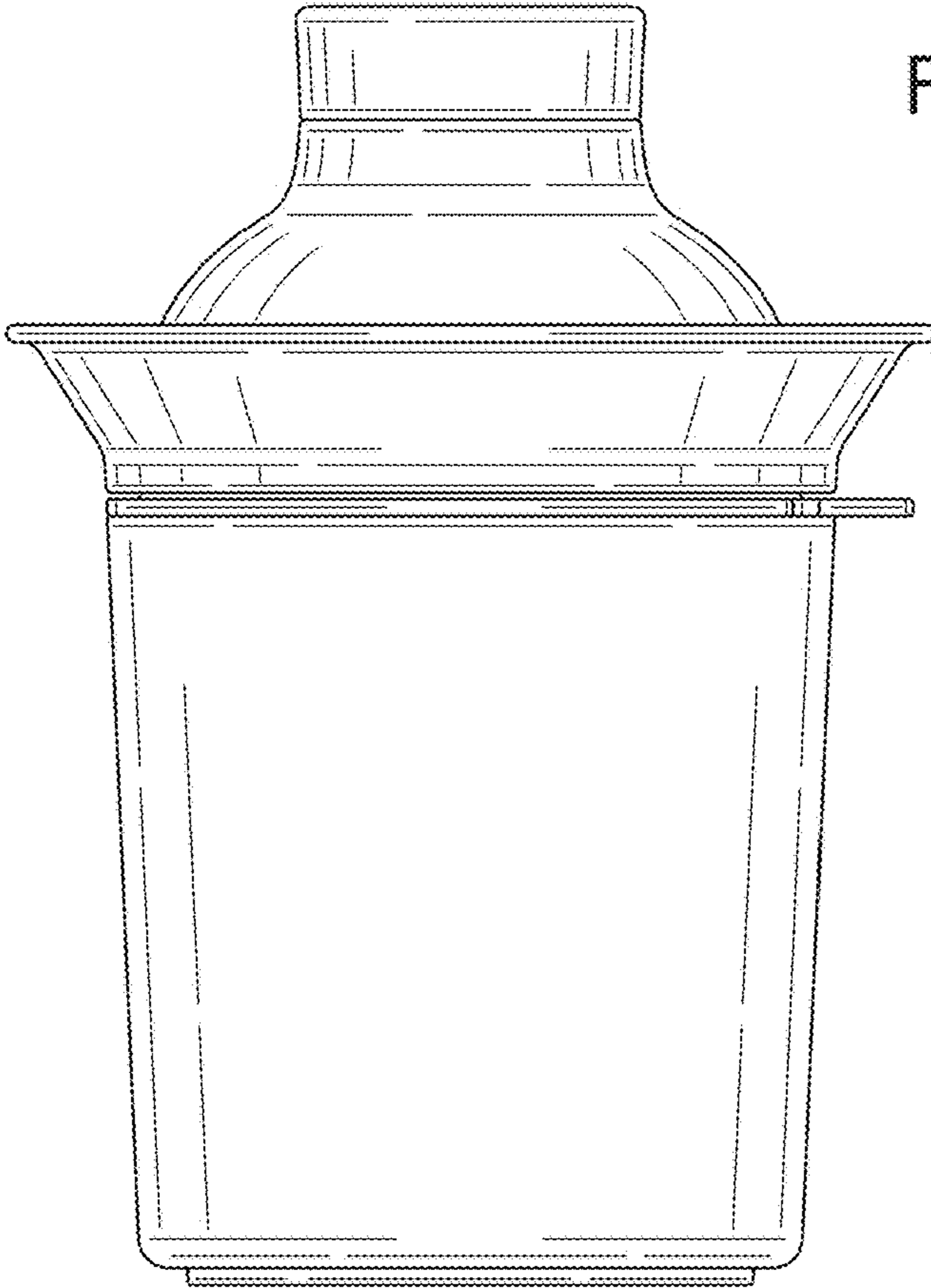


FIG. 5

FIG. 6

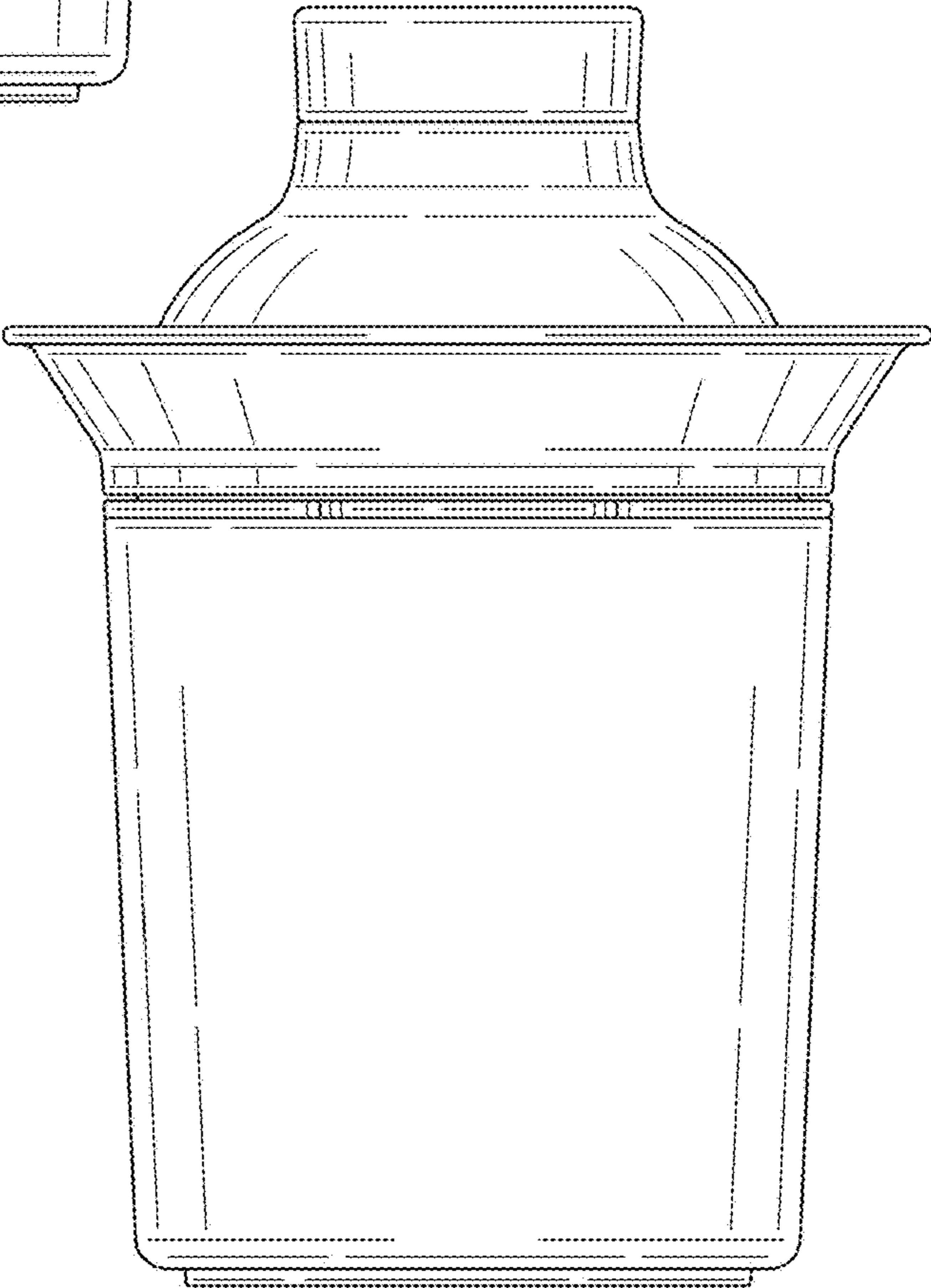


FIG. 7

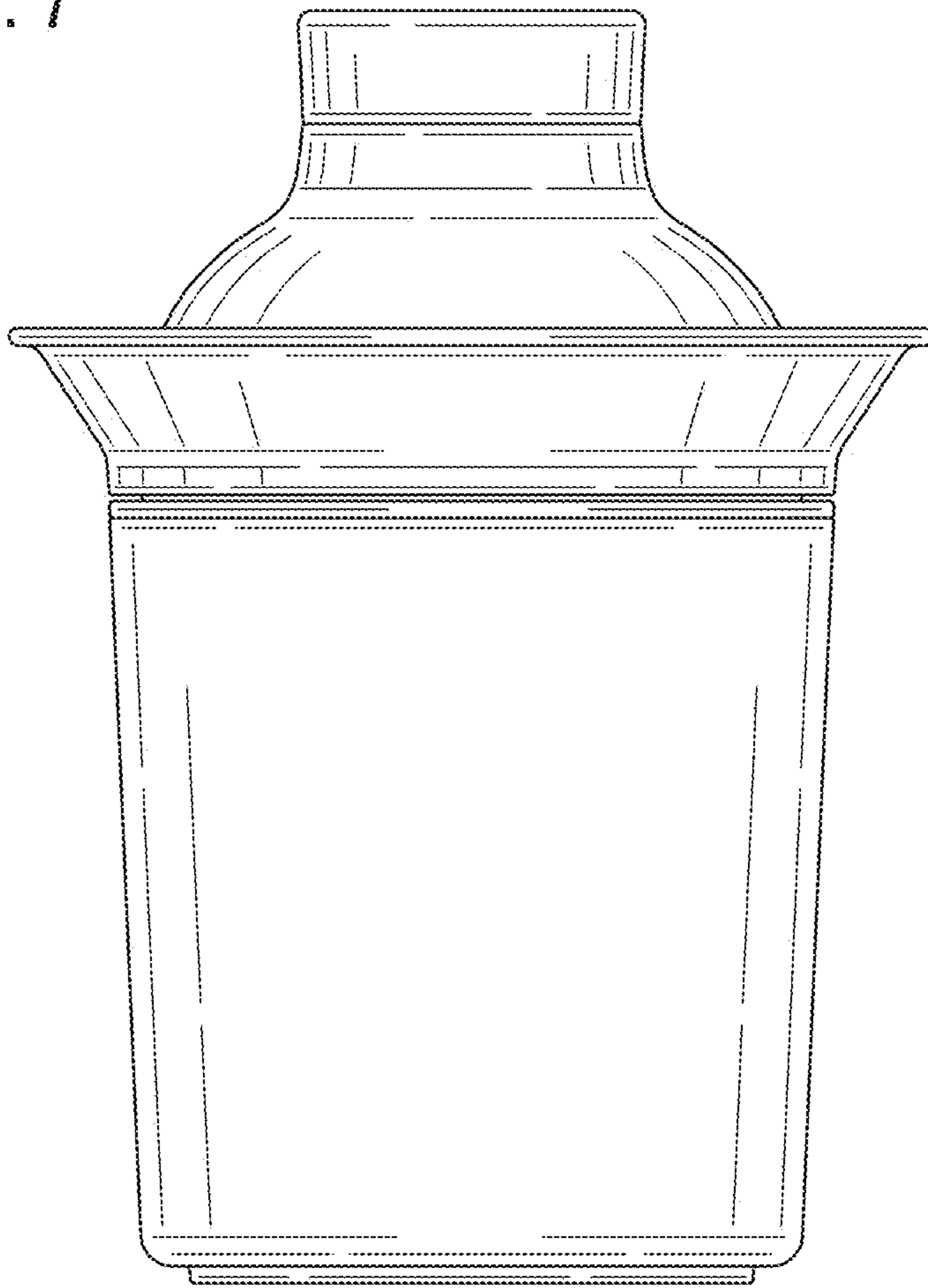


FIG. 8

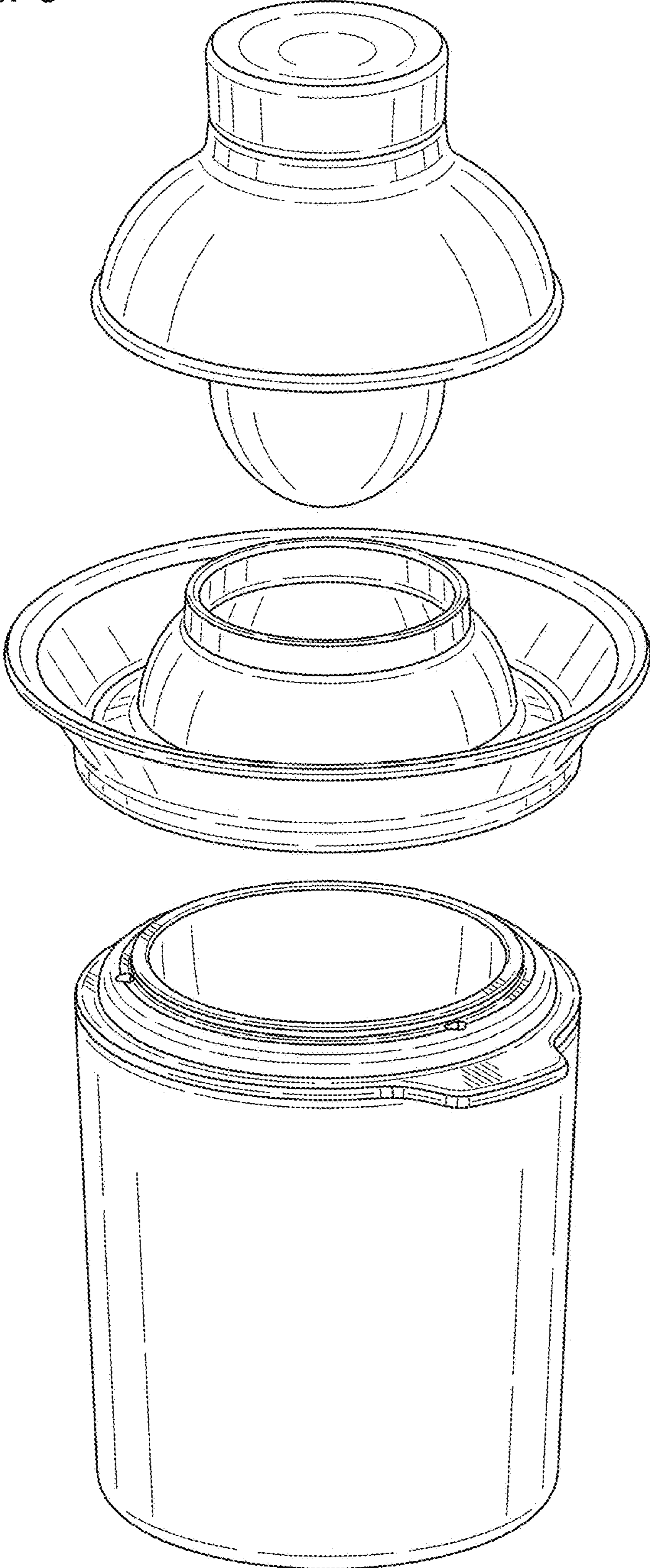


FIG. 9

