



US00D828119S

(12) **United States Design Patent** (10) **Patent No.:** **US D828,119 S**
Popov (45) **Date of Patent:** **** Sep. 11, 2018**

(54) **GARLIC PRESS**

(71) Applicant: **Urban Trend, LLC**, Newport Beach, CA (US)

(72) Inventor: **Borislav Popov**, Yuen Long (HK)

(73) Assignee: **Urban Trend LLC**, Newport Beach, CA (US)

(**) Term: **15 Years**

(21) Appl. No.: **29/620,012**

(22) Filed: **May 23, 2016**

(51) **LOC (11) Cl.** **07-04**

(52) **U.S. Cl.**
USPC **D7/666**

(58) **Field of Classification Search**

USPC D7/368, 388, 665, 666, 669, 680, 683, D7/686, 693

CPC A47J 19/005; A47J 19/06; A47J 19/022; A47J 43/286; B30B 9/04

See application file for complete search history.

(56) **References Cited**

U.S. PATENT DOCUMENTS

D343,550 S * 1/1994 Tanfoglio D7/666
5,513,562 A * 5/1996 Moor A47J 19/06
100/112

D530,162 S * 10/2006 Hussey D7/666
D803,013 S * 11/2017 Cheng D7/665
2005/0263016 A1* 12/2005 Walker, III A47J 19/06
100/125
2016/0220056 A1* 8/2016 Wong A47J 19/06
2017/0202387 A1* 7/2017 Cheng A47J 19/005

* cited by examiner

Primary Examiner — Karen S Acker

Assistant Examiner — Steven B Reinholdt, Jr.

(74) *Attorney, Agent, or Firm* — Greenberg Traurig, LLP

(57) **CLAIM**

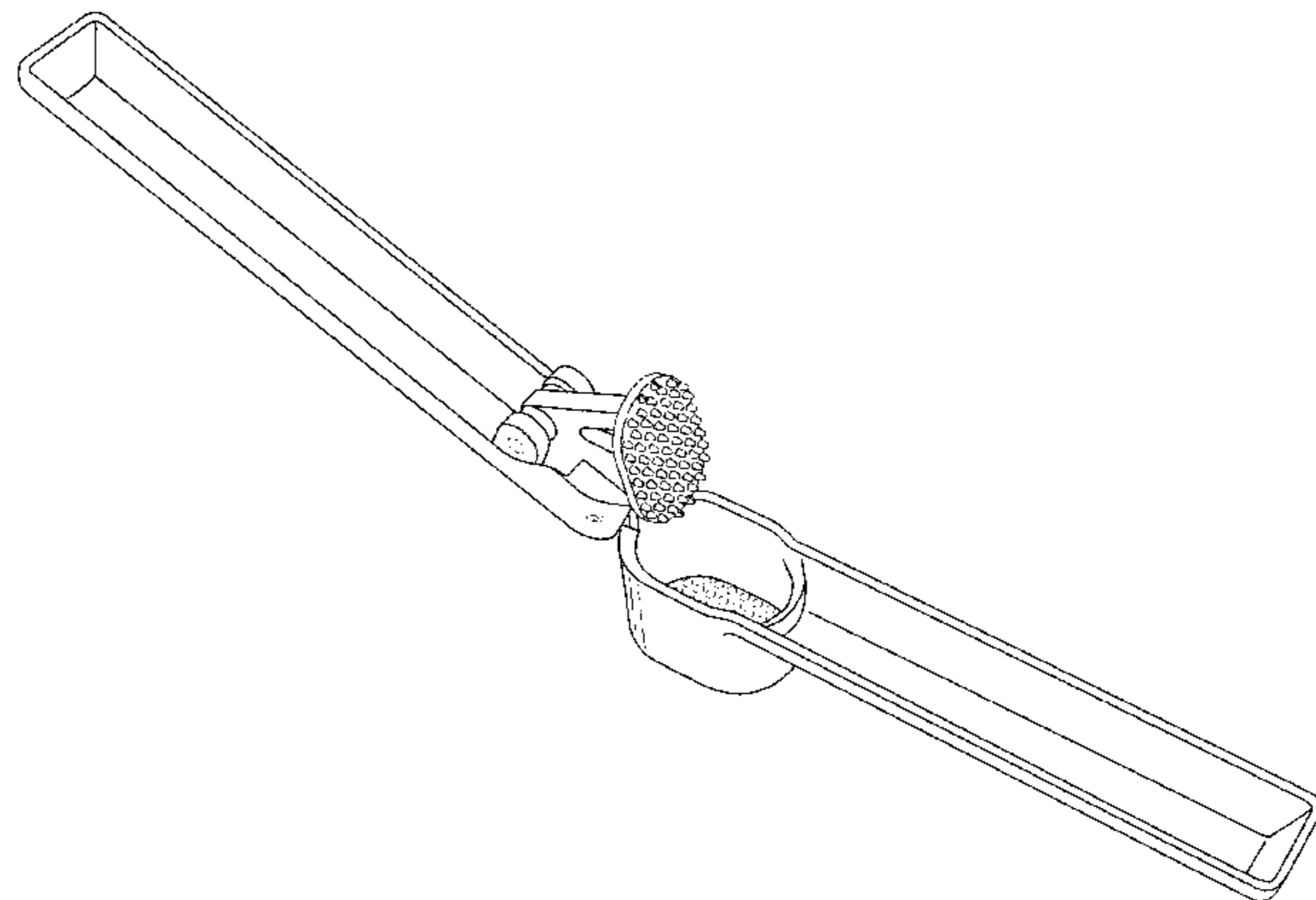
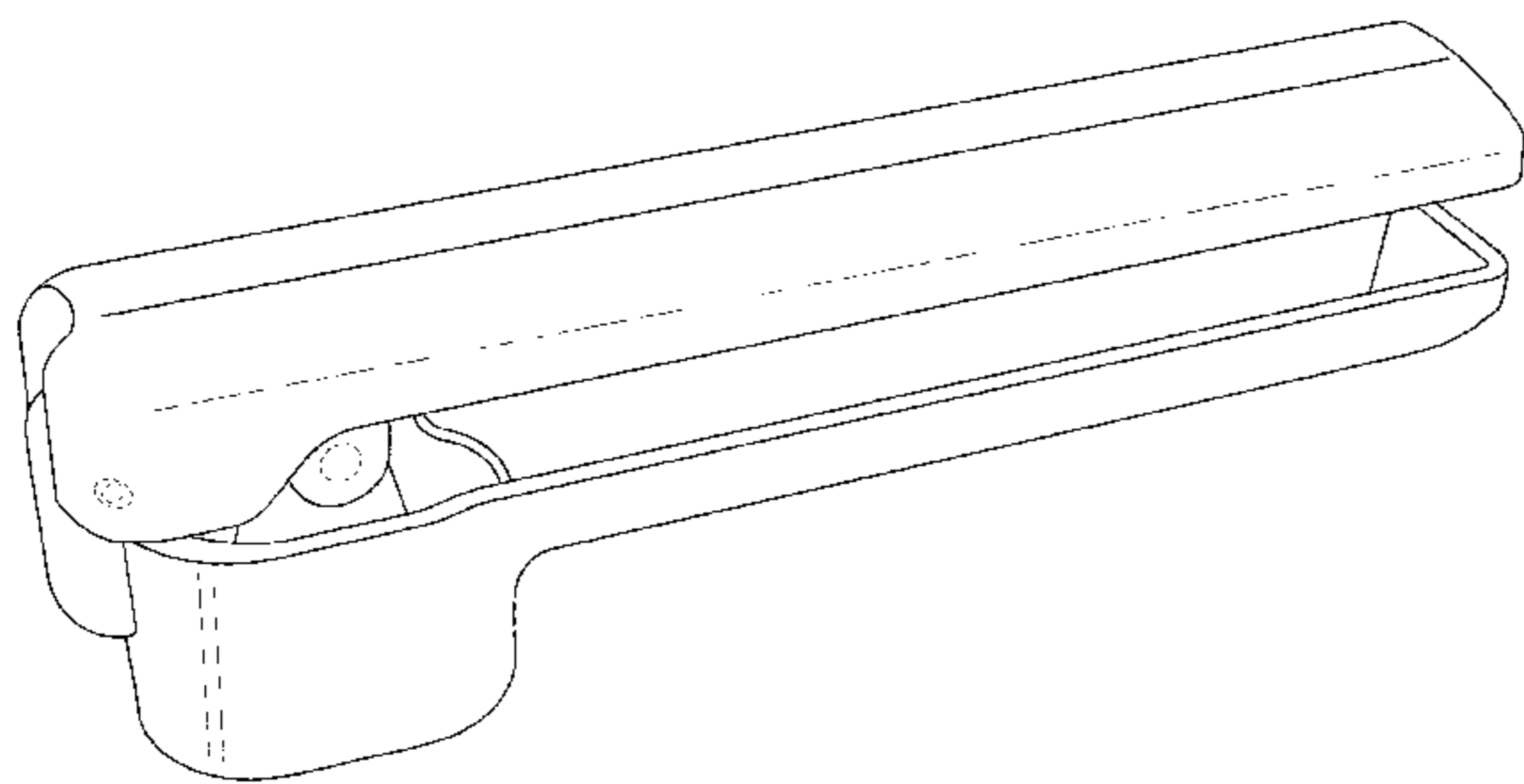
The ornamental design for a garlic press, as shown and described.

DESCRIPTION

FIG. 1 is a front, top and side perspective view of a garlic press of my new design;
FIG. 2 is a side perspective view of the garlic press of FIG. 1, shown in an open position.
FIG. 3 is a side view of FIG. 1;
FIG. 4 is a bottom view of FIG. 1;
FIG. 5 is a top view of FIG. 1;
FIG. 6 is front view of FIG. 1;
FIG. 7 is a rear view of FIG. 1; and,
FIG. 8 is a side view of FIG. 2.

The broken lines in the figures depict portions of the garlic press that form no part of the claimed design.

1 Claim, 7 Drawing Sheets



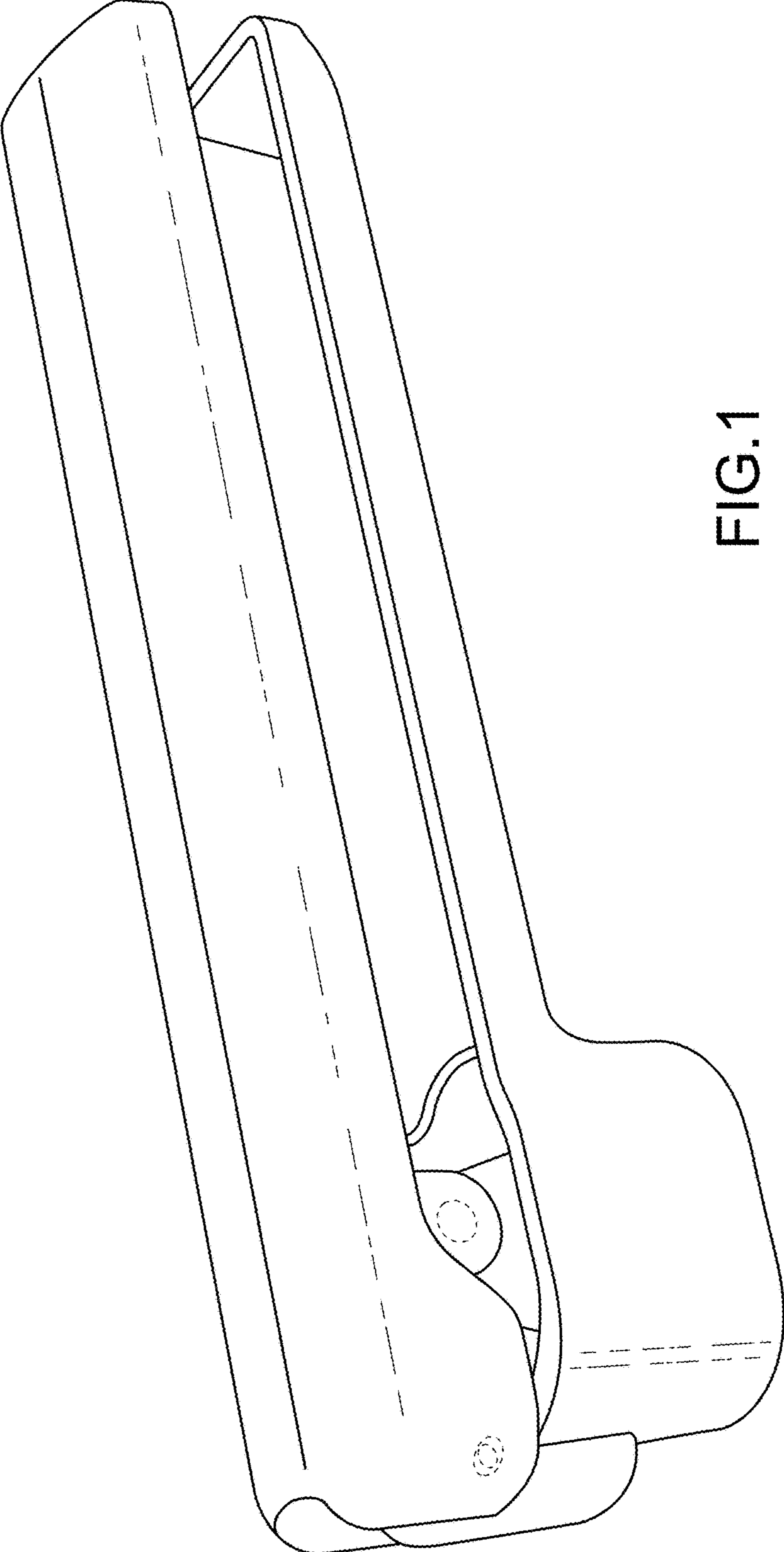


FIG.1

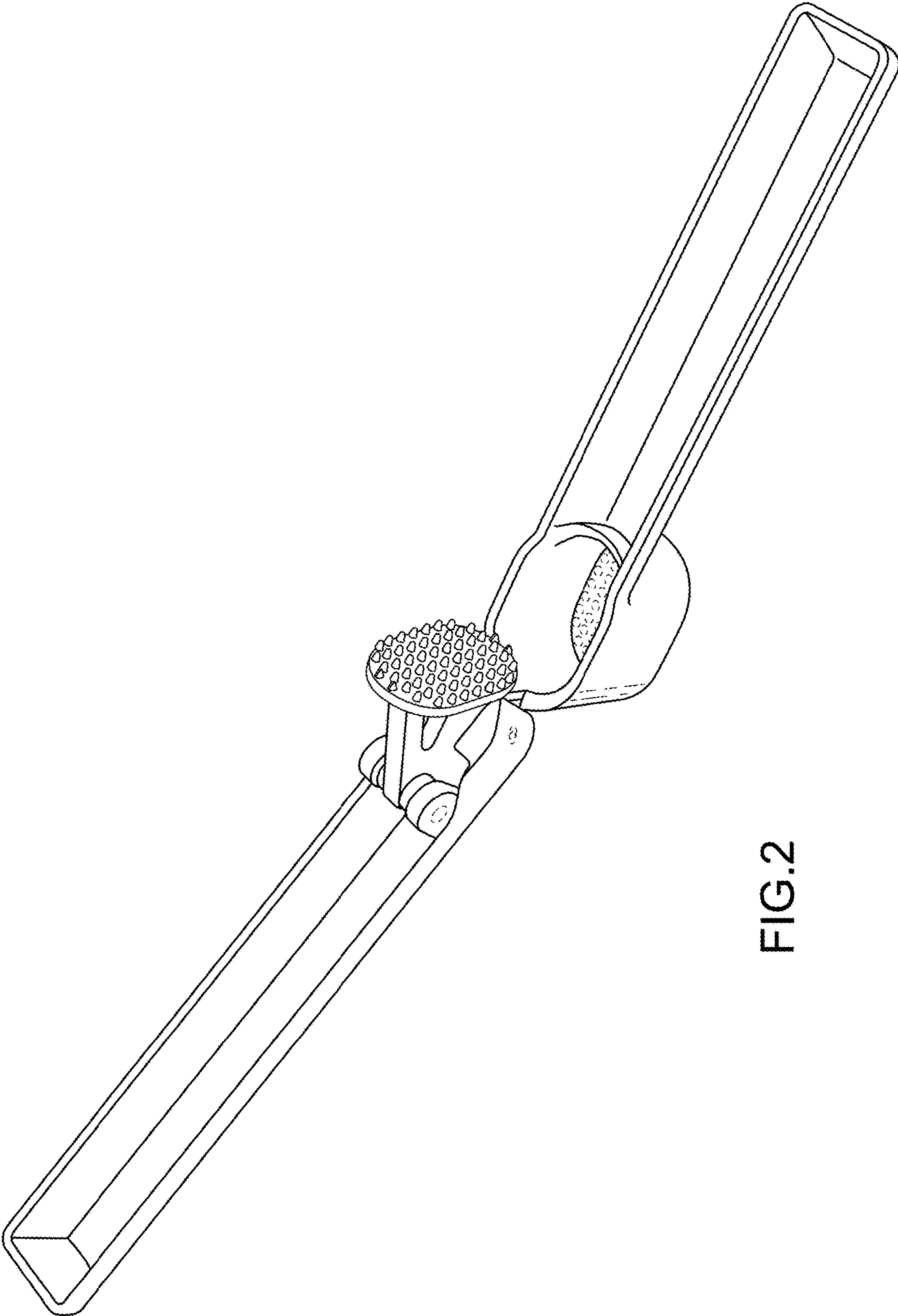


FIG.2

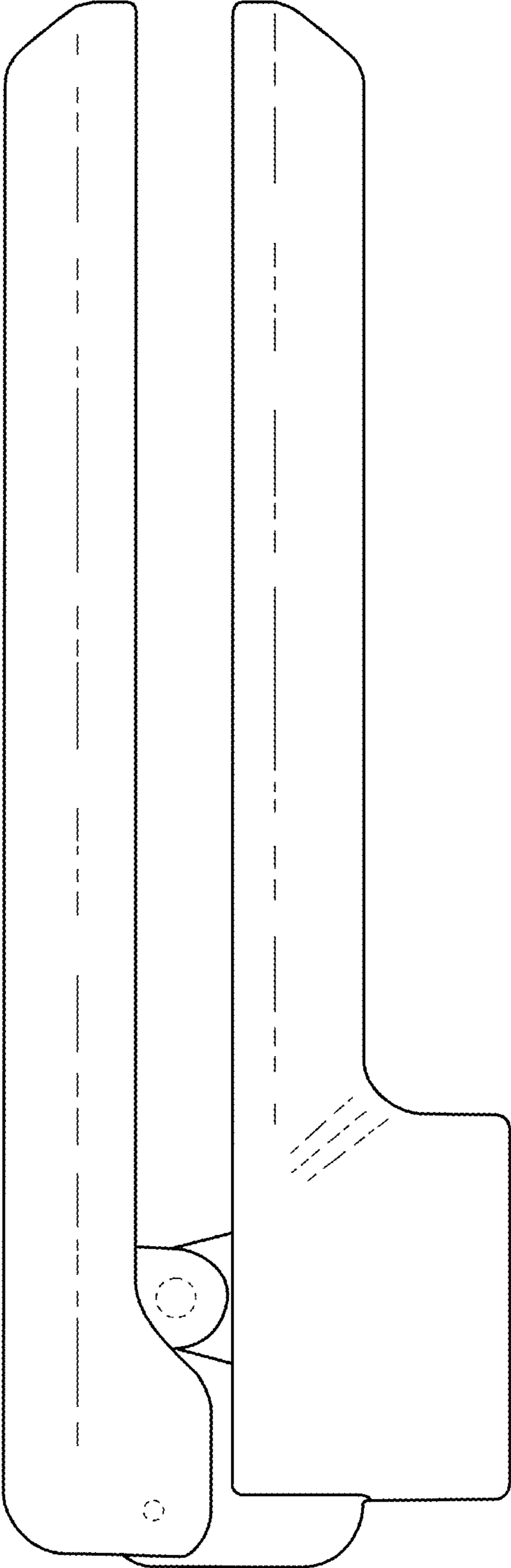


FIG.3

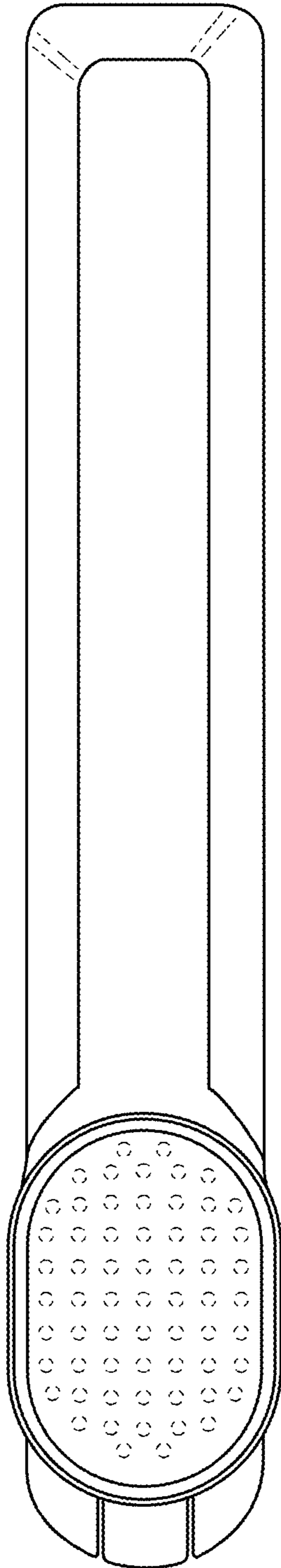


FIG.4

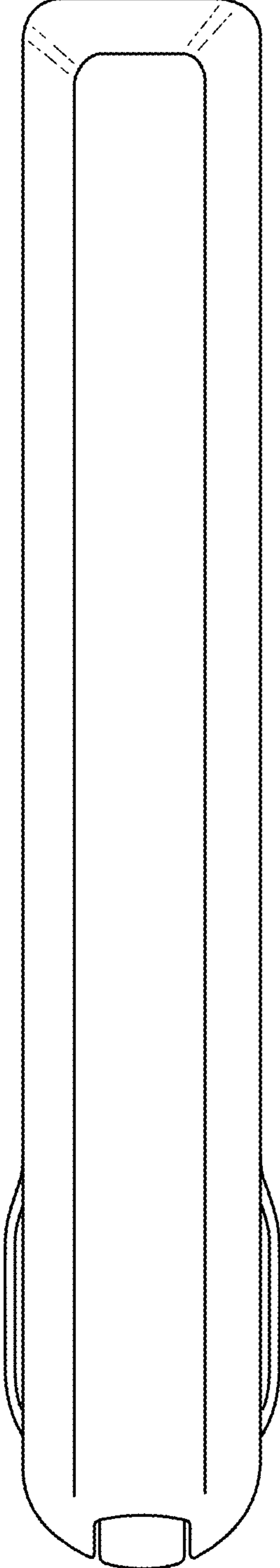


FIG.5

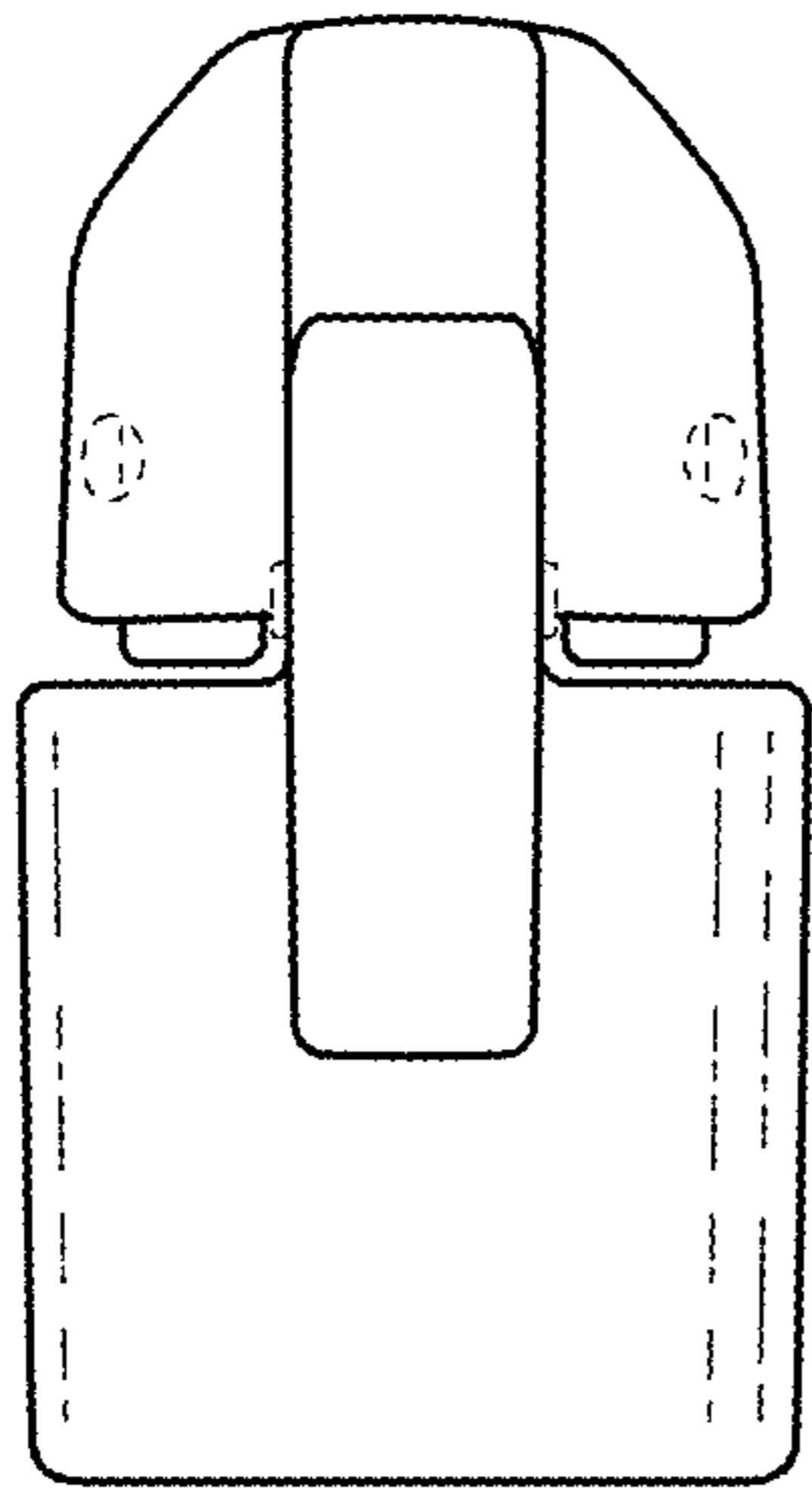


FIG. 6

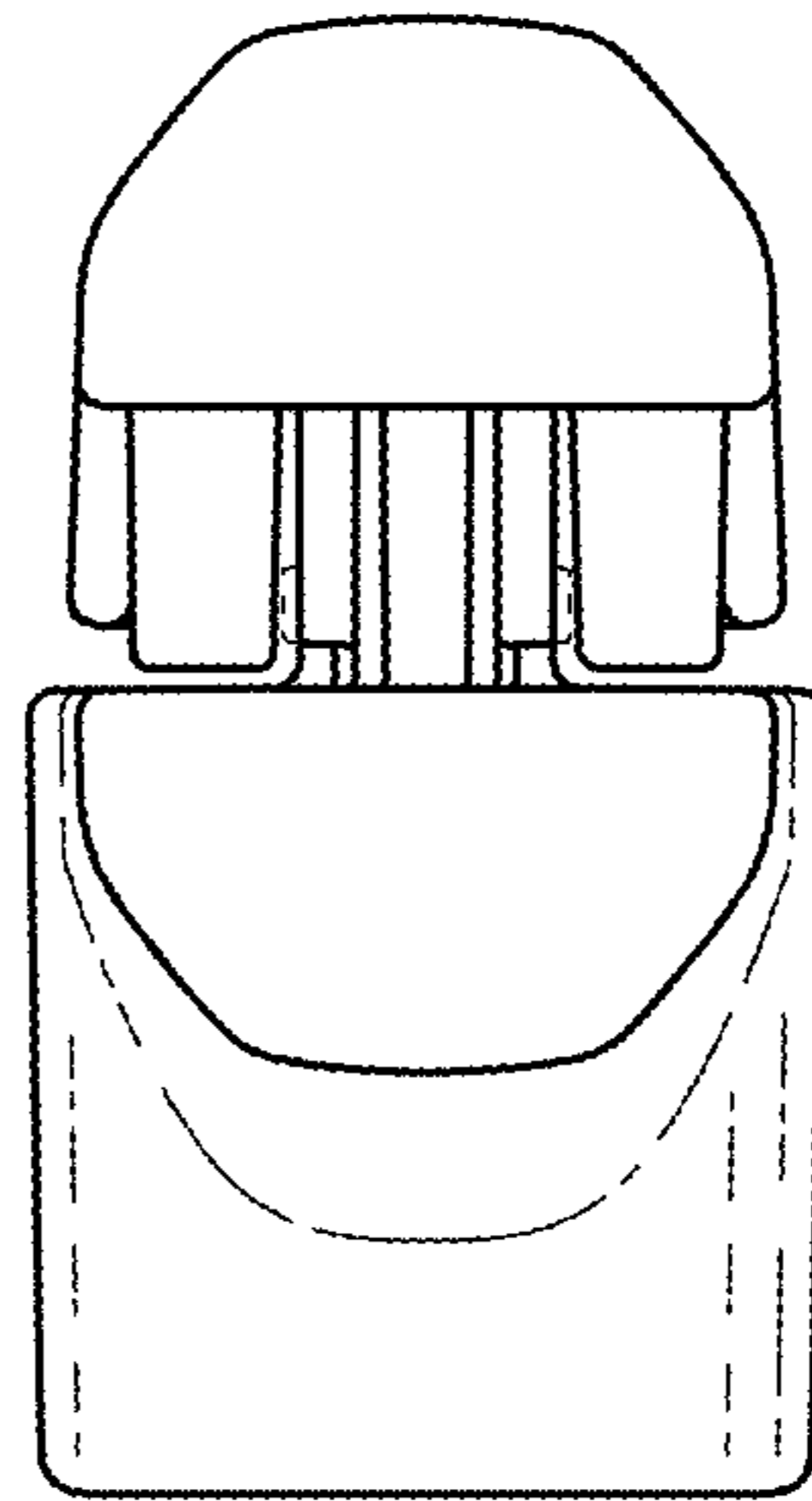


FIG. 7

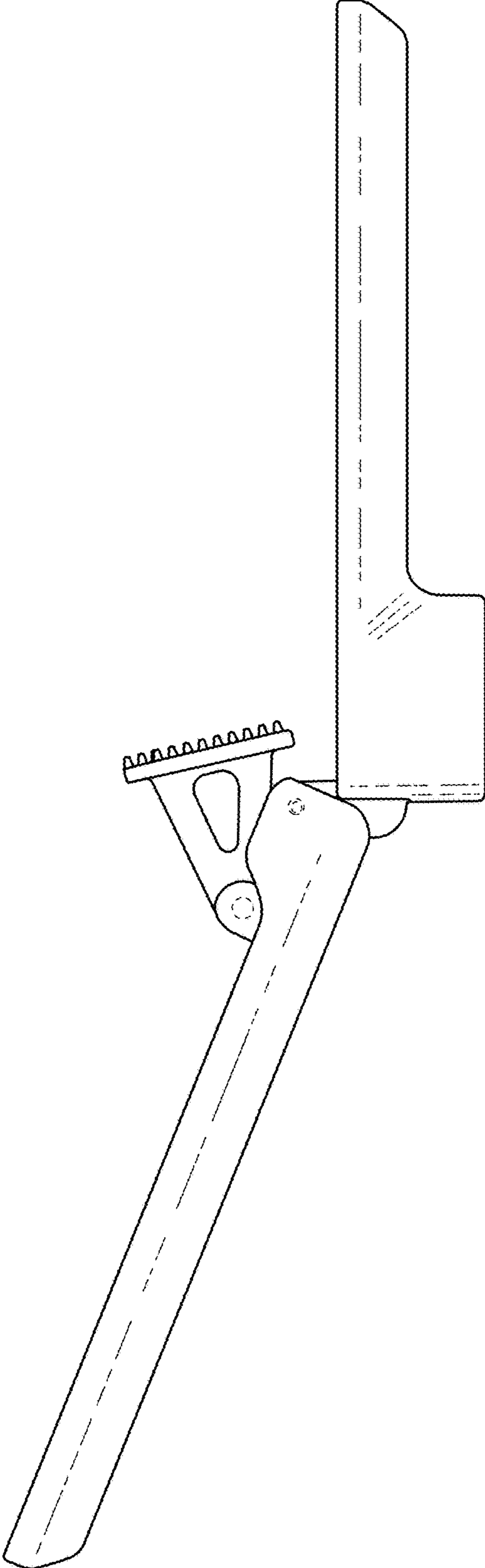


FIG.8