



US00D828115S

(12) **United States Design Patent** (10) **Patent No.:** **US D828,115 S**
Erickson (45) **Date of Patent:** **** Sep. 11, 2018**

(54) **BEVERAGE COASTER**
(71) Applicant: **Shane Erickson, Inc**, Spring Park, MN (US)
(72) Inventor: **Shane Erickson**, Golden Valley, MN (US)
(**) Term: **15 Years**

D355,100 S * 2/1995 Goodman D7/624.1
D375,659 S * 11/1996 Lipic D7/624.1
D418,375 S * 1/2000 Goodman D7/624.1
D445,638 S * 7/2001 Bodum D7/388
D526,158 S * 8/2006 Laib D7/392.1
D540,669 S * 4/2007 George D7/392.1
D579,276 S * 10/2008 Burd D7/624.1
D581,209 S * 11/2008 Brown D7/392.1
D581,726 S * 12/2008 Shamoon D7/387
D728,305 S * 5/2015 Henry D7/388
D751,348 S * 3/2016 Smith D7/624.1

(21) Appl. No.: **29/598,470**
(22) Filed: **Mar. 27, 2017**
(51) **LOC (11) Cl.** **09-03**
(52) **U.S. Cl.**
USPC **D7/624.1**
(58) **Field of Classification Search**
USPC D7/387, 388, 392.1, 550.1, 554.2-554.4,
D7/555, 556, 619.1-625, 619.1-625;
D9/267, 493, 452
CPC A47G 23/00; A47G 23/03; A47B 91/12
See application file for complete search history.

FOREIGN PATENT DOCUMENTS

CN 201630552225 * 11/2016

OTHER PUBLICATIONS

Enkore Coasters Set of 6 in Holder. Online, published date Mar. 24, 2015. Retrieved on Feb. 21, 2018 from URL: <https://www.amazon.com/Enkore-Coasters-Set-Holder-Furniture/dp/B00V52JO0E>.*

* cited by examiner

Primary Examiner — Karen S Acker
Assistant Examiner — Omeed Agilee
(74) *Attorney, Agent, or Firm* — Hellmuth & Johnson

(56) **References Cited**

U.S. PATENT DOCUMENTS

D75,432 S * 6/1928 Keller 131/231
2,967,002 A * 1/1961 Lammers B65D 25/24
220/737
3,257,092 A * 6/1966 Blundell A47G 23/03
215/394
D229,655 S * 12/1973 Cyren 215/393
D236,577 S * 9/1975 Press D7/624.1
D252,367 S * 7/1979 Freedman D7/388
D254,765 S * 4/1980 Benia D7/388
D256,757 S * 9/1980 Stahel, II D7/388
D261,592 S * 11/1981 Wilson D7/624.2
D270,511 S * 9/1983 Friedman D7/624.1
4,858,873 A * 8/1989 Wilmoth A47G 23/03
215/394
D336,205 S * 6/1993 Cooper D7/624.1
D339,830 S * 9/1993 Adell D21/371

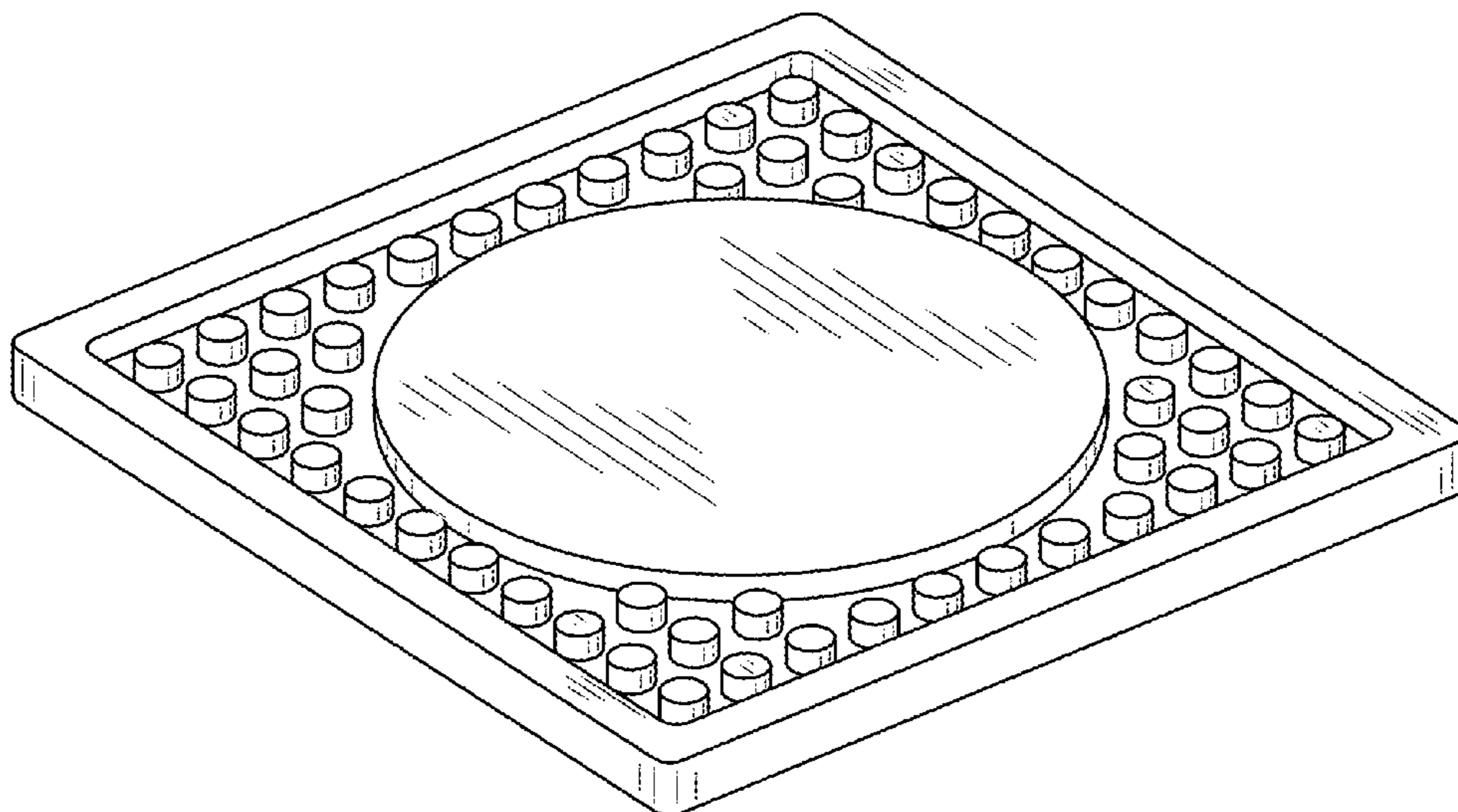
(57) **CLAIM**

The ornamental design for a beverage coaster, as shown and described.

DESCRIPTION

FIG. 1 is a top perspective view of the beverage coaster, showing my new design;
FIG. 2 is a top plan view thereof;
FIG. 3 is a front elevational view thereof, the back elevational view being identical to the front elevational view;
FIG. 4 is a bottom plan view thereof; and,
FIG. 5 is a side elevational view thereof.

1 Claim, 3 Drawing Sheets



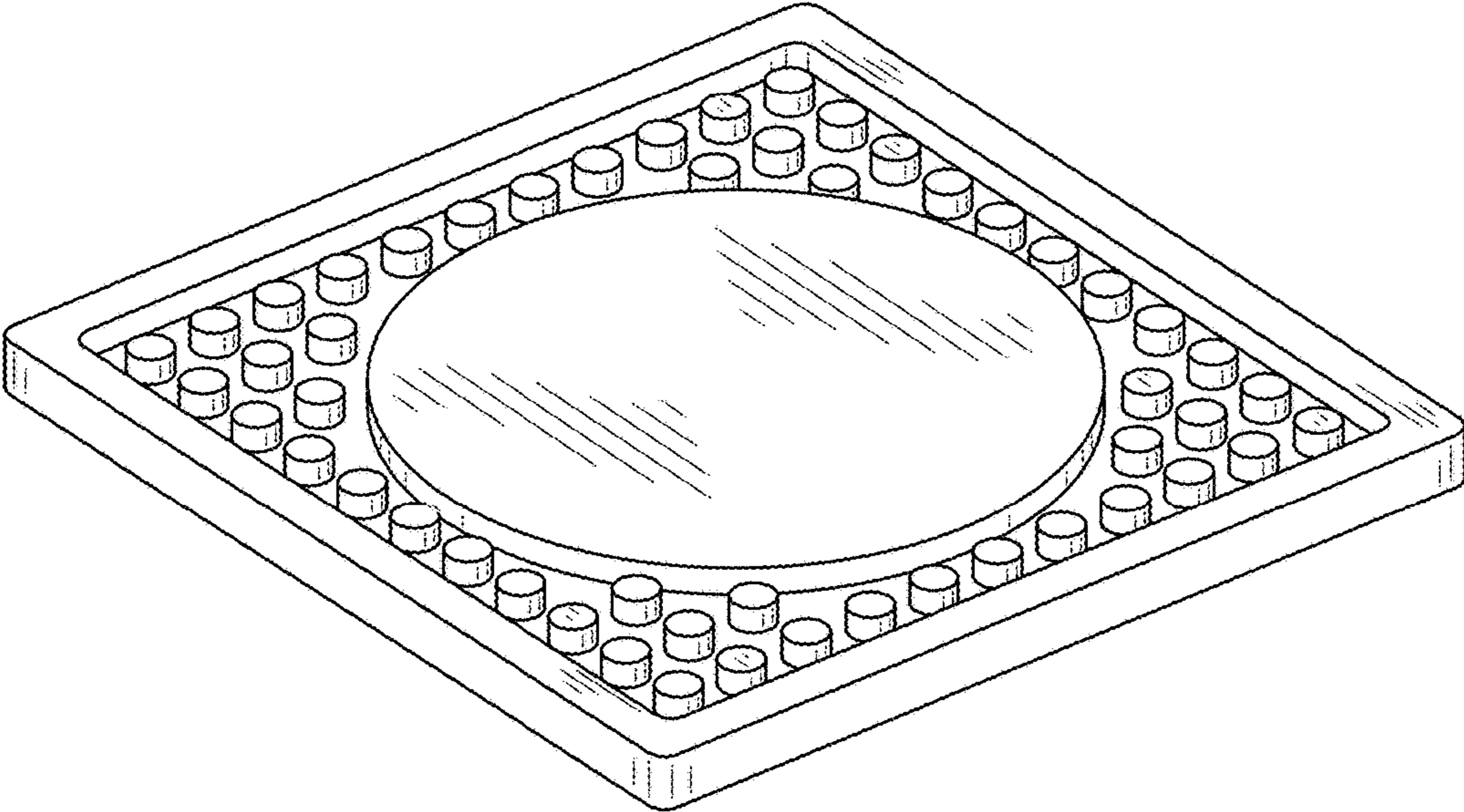


FIG. 1

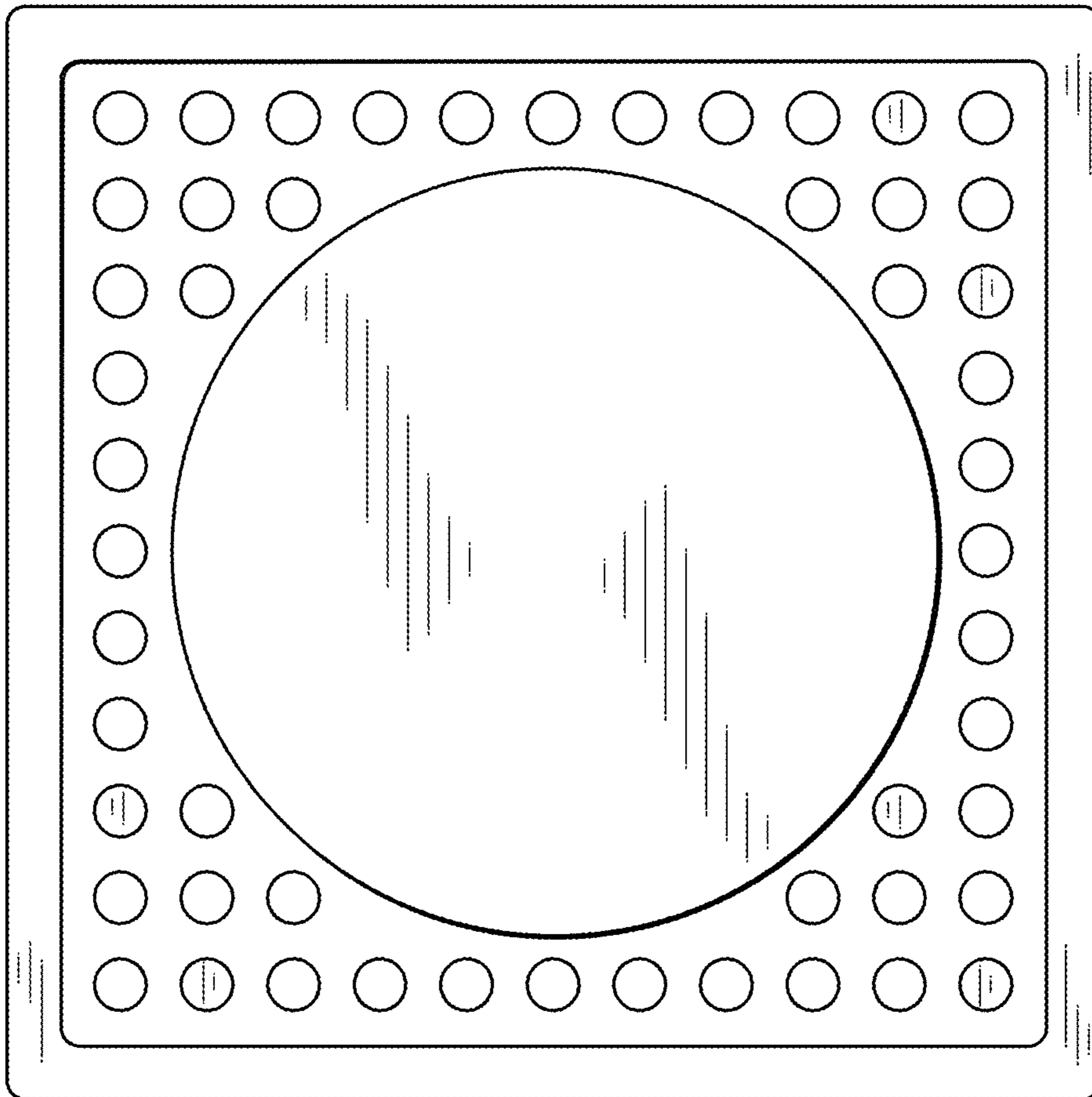


FIG. 2

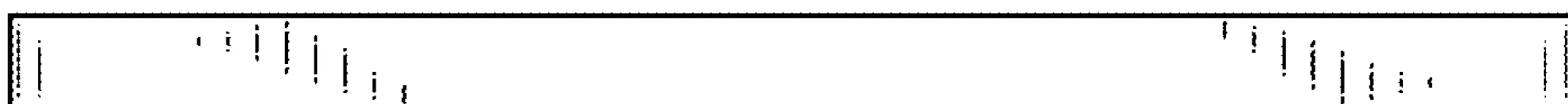


FIG. 3

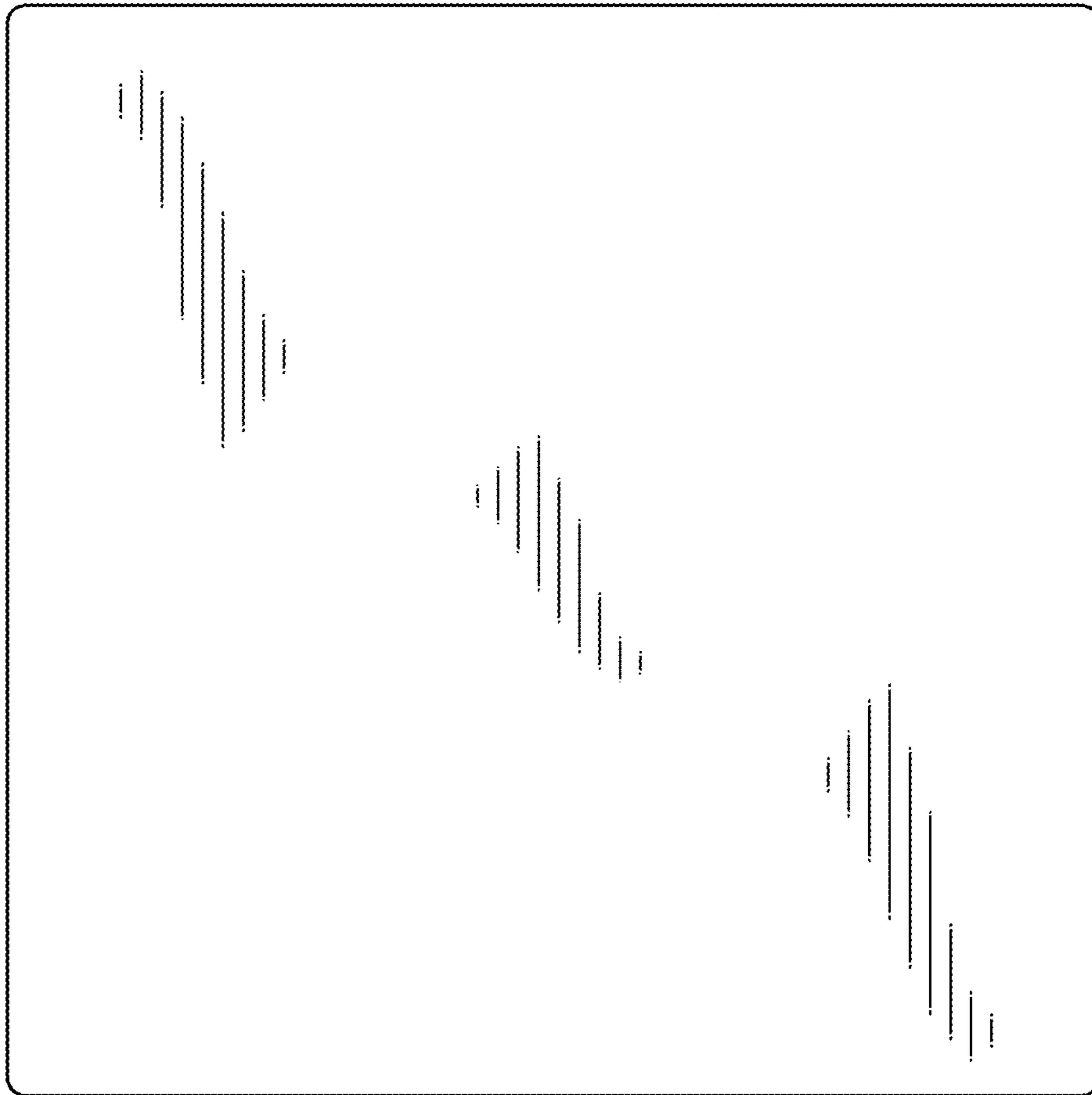


FIG. 4



FIG. 5