



US00D828114S

(12) **United States Design Patent**
Murosky

(10) **Patent No.:** **US D828,114 S**

(45) **Date of Patent:** **** Sep. 11, 2018**

(54) **CANISTER**

(71) Applicant: **O2C RALEIGH, LLC**, Chicago, IL
(US)

(72) Inventor: **Kelly Murosky**, Burlington, VT (US)

(73) Assignee: **O2C RALEIGH, LLC**, Chicago, IL
(US)

(**) Term: **15 Years**

(21) Appl. No.: **29/586,912**

(22) Filed: **Dec. 7, 2016**

(51) **LOC (11) Cl.** **07-01**

(52) **U.S. Cl.**
USPC **D7/615**

(58) **Field of Classification Search**

USPC D7/615, 300, 300.1, 396.2, 387, 507,
D7/509-511, 515, 523, 529-531, 532,
D7/533, 534-536, 546, 554.2, 608;
D3/202; D9/435, 440, 449, 500, 503,
D9/505, 516, 517, 520, 523, 529, 531;
D10/46.2; D24/122, 197, 199;
220/592.16, 592.17; 222/146.5, 461, 481
CPC A47G 19/22; A47G 19/2205; A47G
19/2227; A47G 19/2266; A47F 3/16;
B65D 47/066

See application file for complete search history.

(56) **References Cited**

U.S. PATENT DOCUMENTS

D467,131 S * 12/2002 Wright D7/615
D530,572 S * 10/2006 Daams D7/615

D582,730 S * 12/2008 Kim D7/615
D662,361 S * 6/2012 Eyal D7/510
D706,384 S * 6/2014 Russell D22/134
D753,445 S * 4/2016 Khalifa D7/615

* cited by examiner

Primary Examiner — Wan Laymon

Assistant Examiner — Mark Booker

(74) *Attorney, Agent, or Firm* — Thompson Coburn LLP

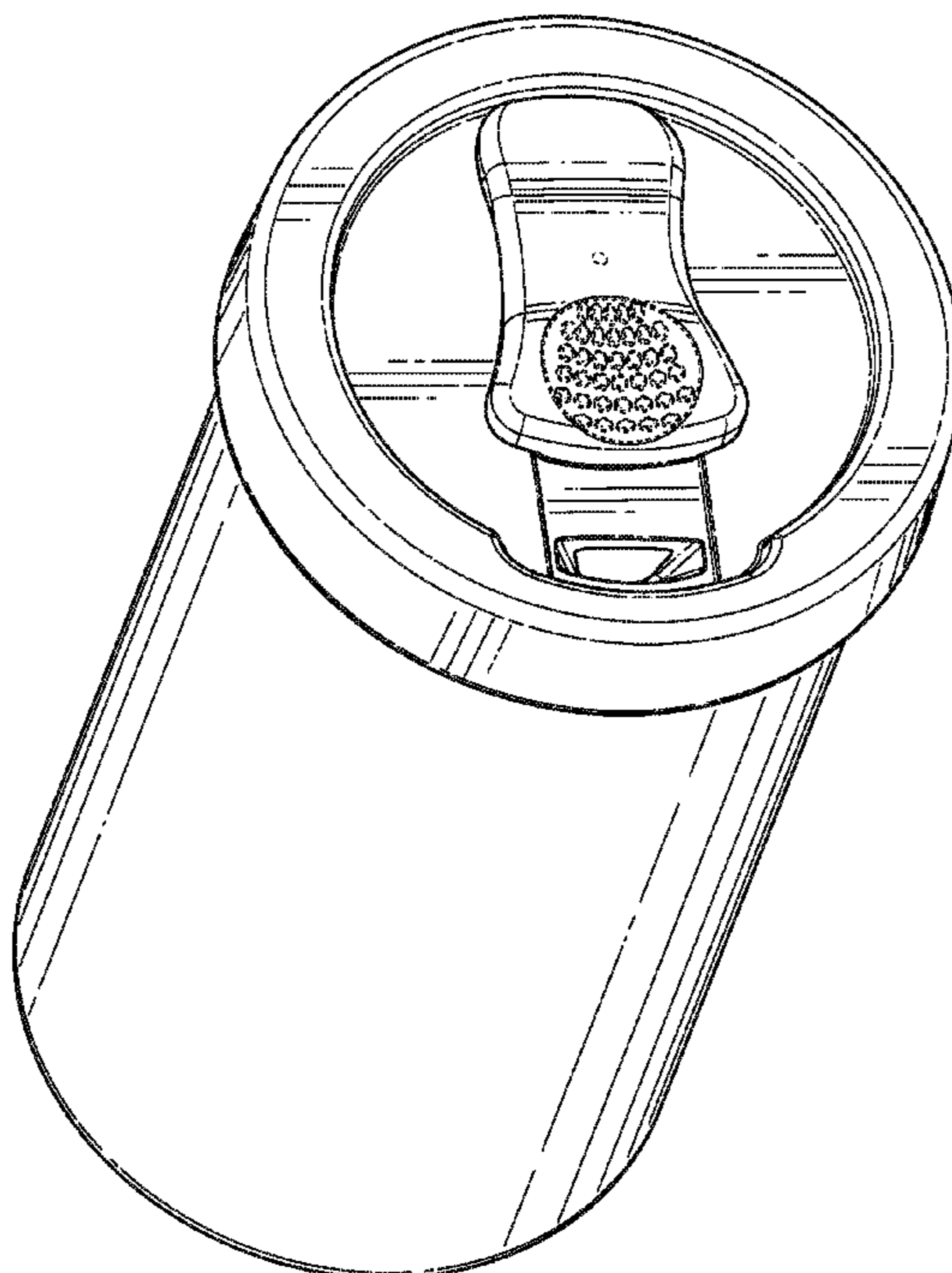
(57) **CLAIM**

The ornamental design for a canister, as shown and described.

DESCRIPTION

FIG. 1 is a perspective view of a canister showing our new design with a closure of the canister in an open position; FIG. 2 is a top view thereof; FIG. 3 is a rear view thereof; FIG. 4 is a left side view thereof; FIG. 5 is a right side view thereof; FIG. 6 is a front plan view thereof; FIG. 7 is a bottom view thereof; and, FIG. 8 is a perspective view of thereof with the closure of the canister in a closed position. The broken line showing of the canister is for the purpose of illustrating portions of the article and form no part of the claimed design.

1 Claim, 8 Drawing Sheets



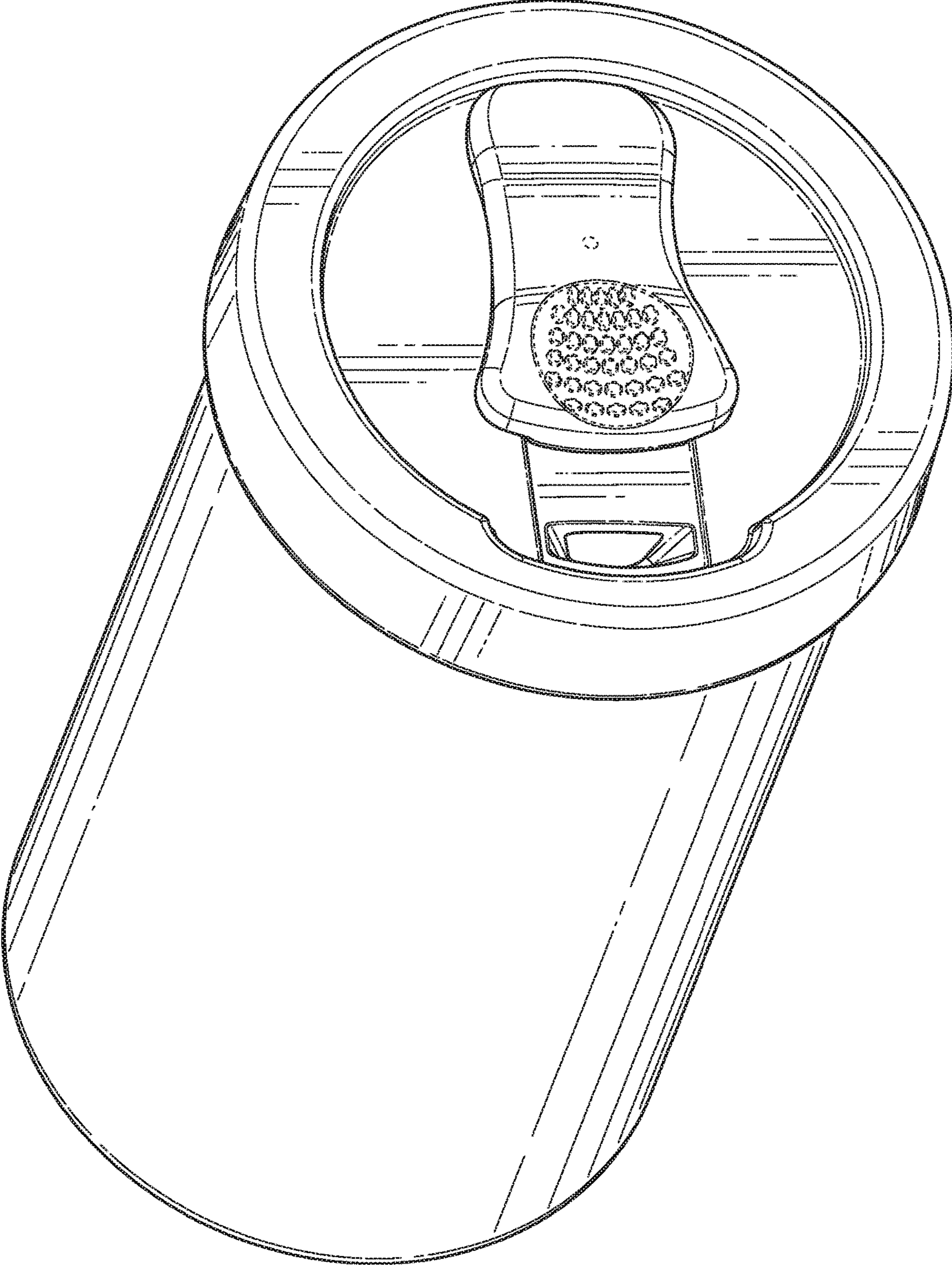


FIG. 1

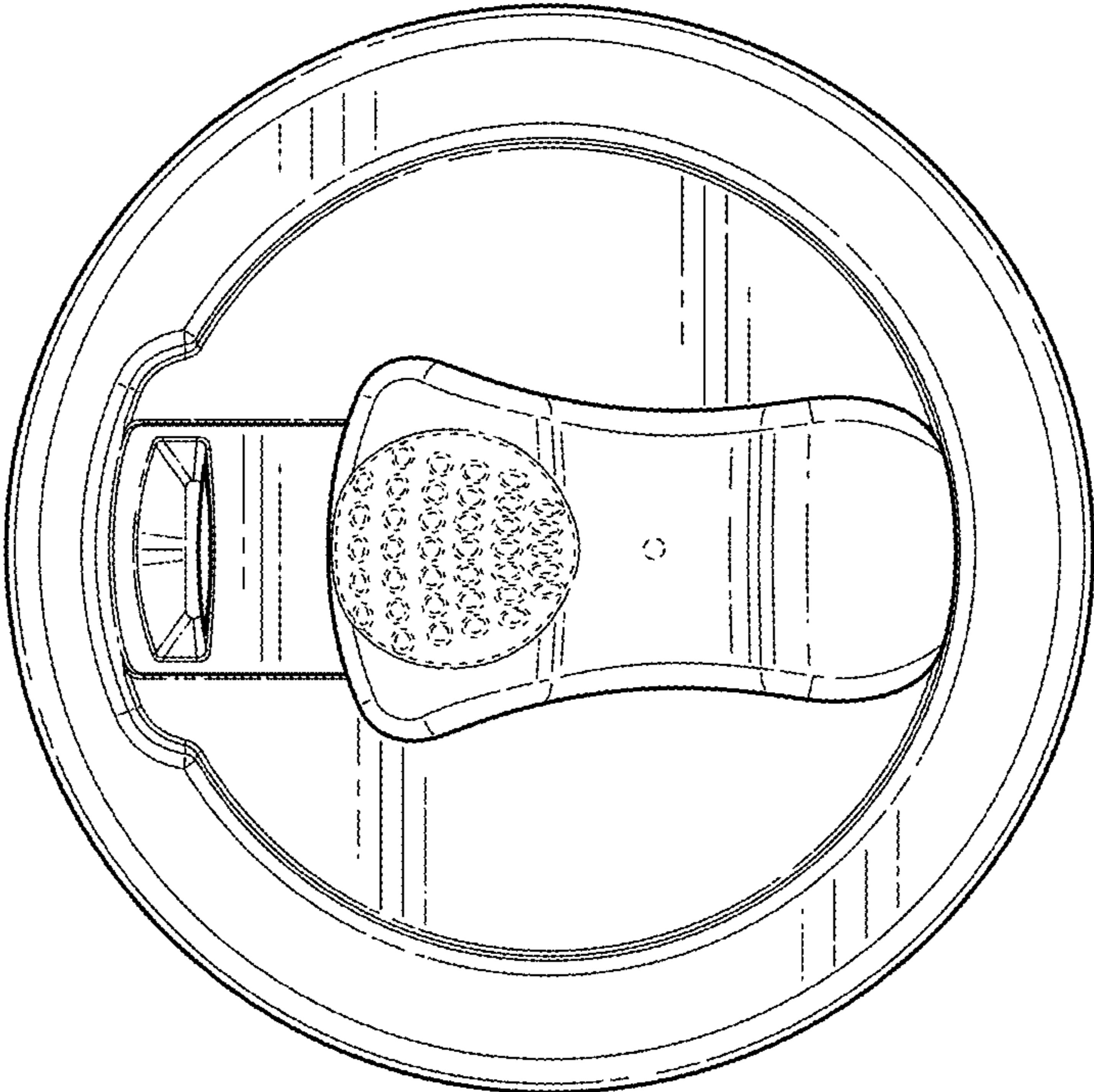


FIG. 2

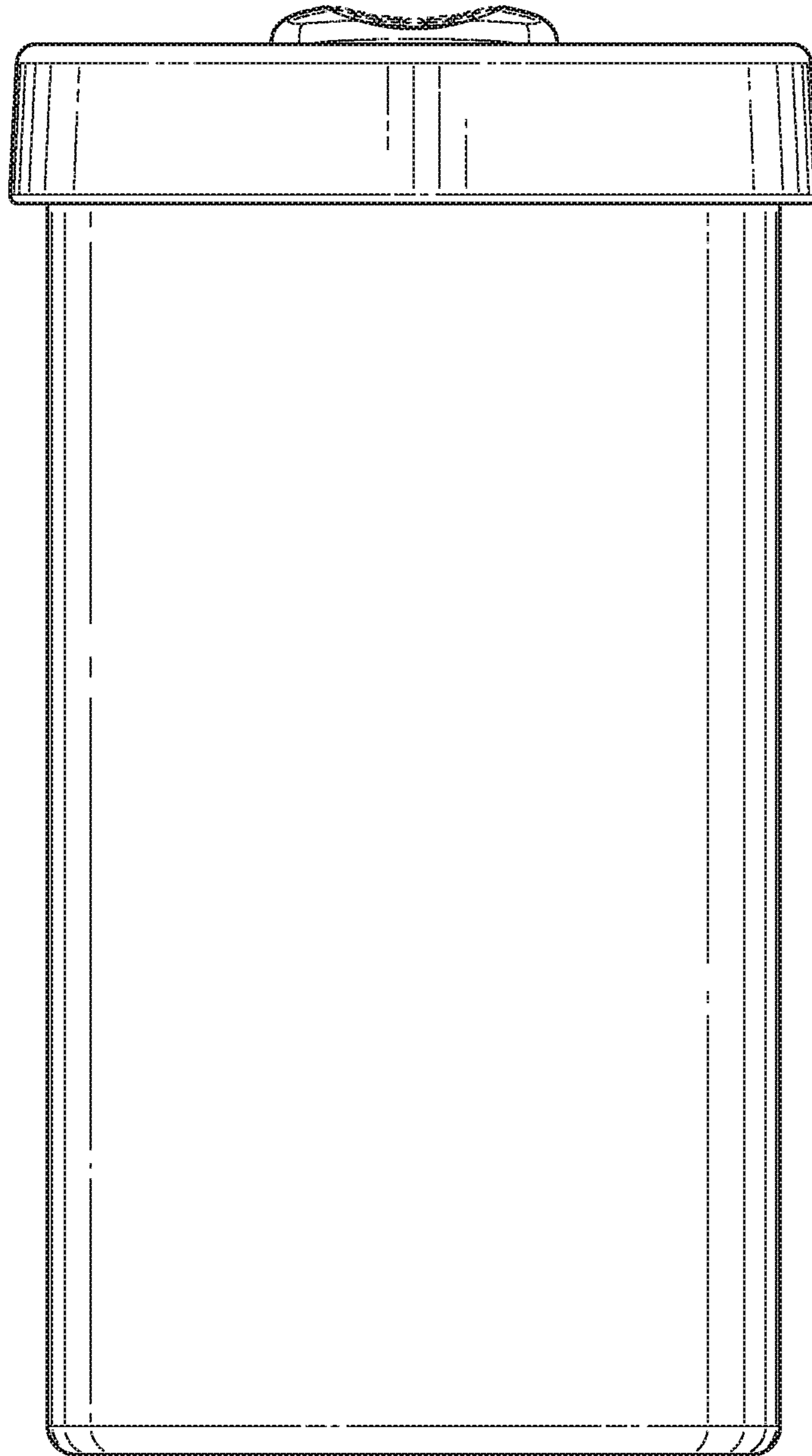


FIG. 3

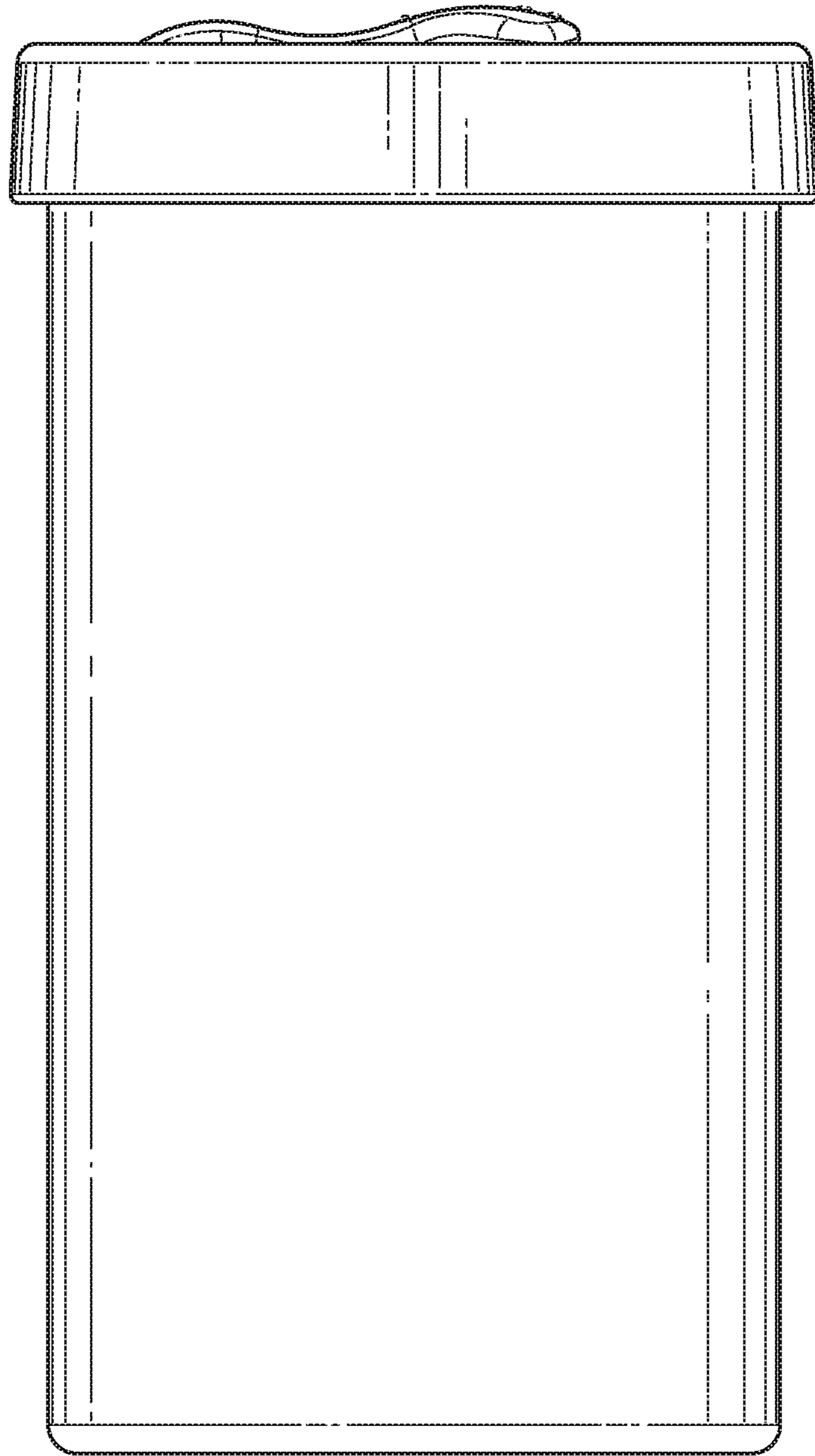


FIG. 4

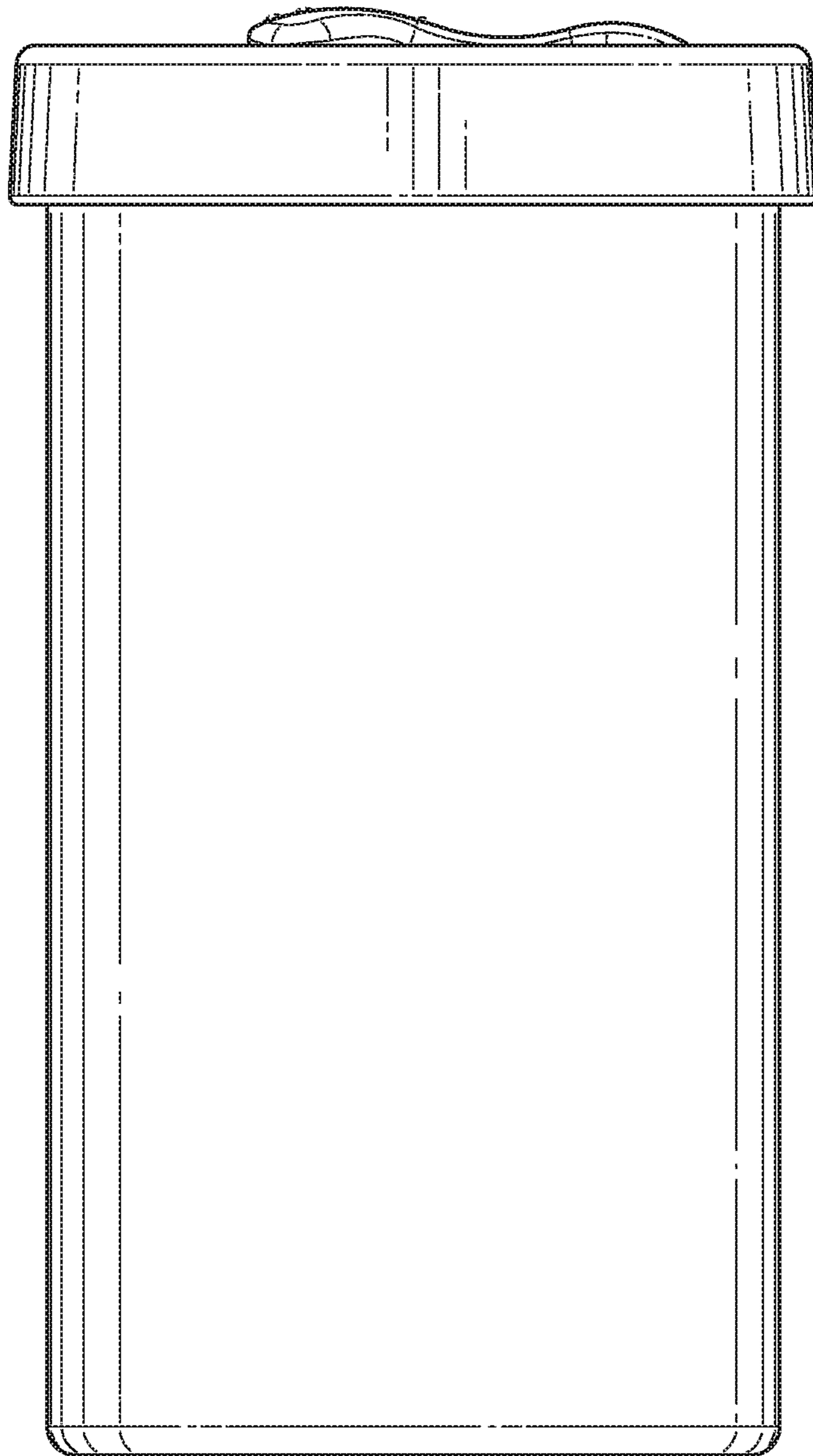


FIG. 5

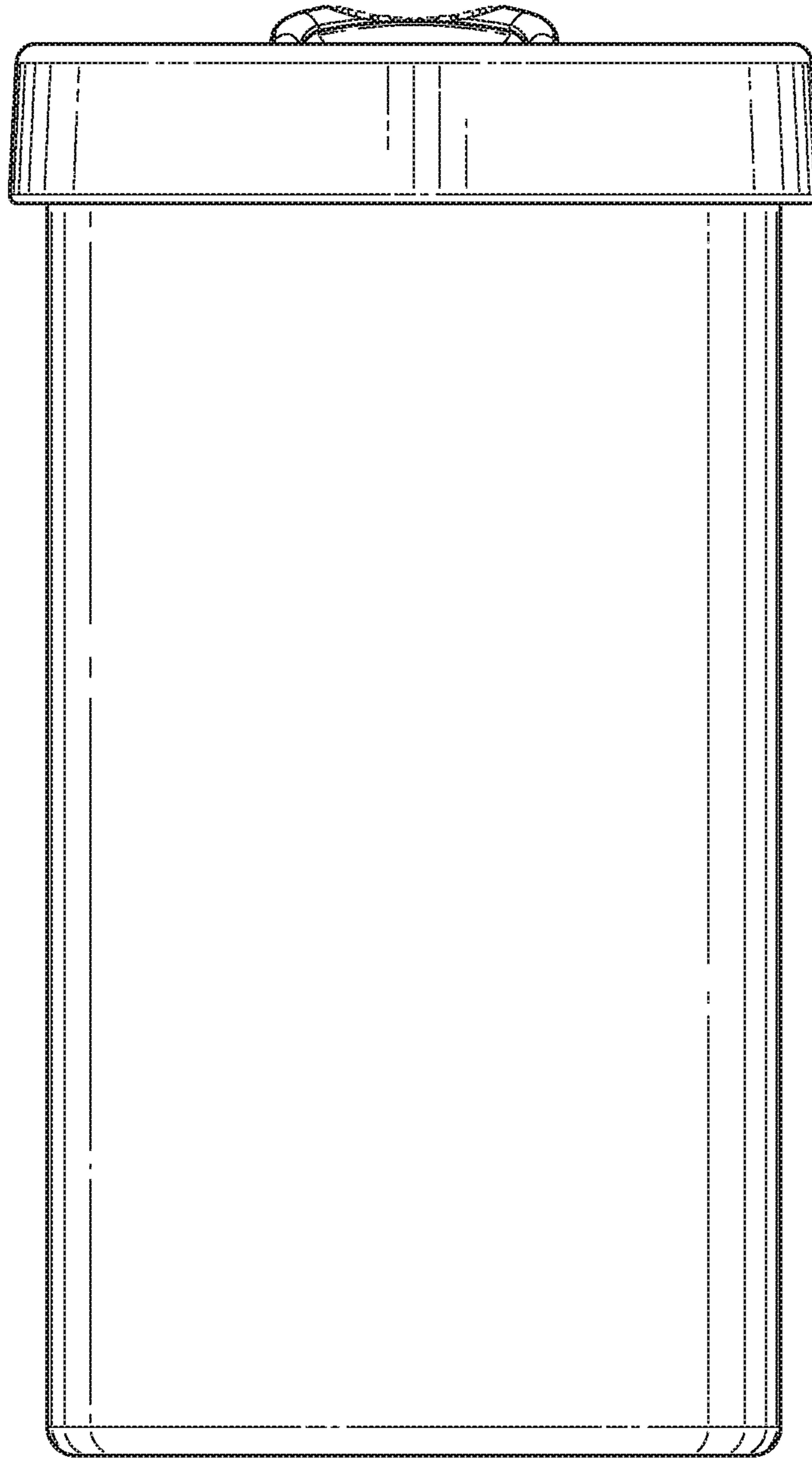


FIG. 6

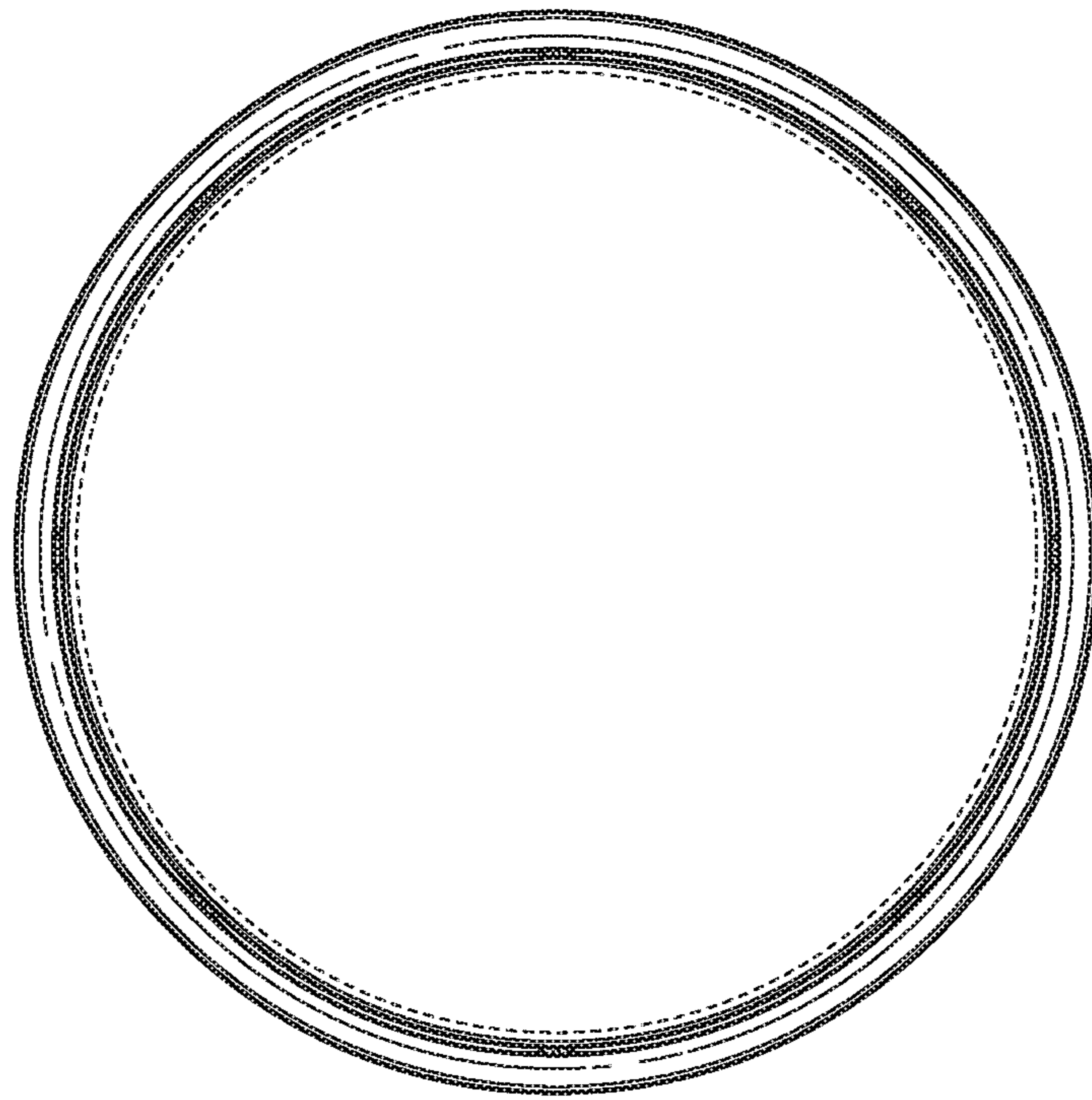


FIG. 7

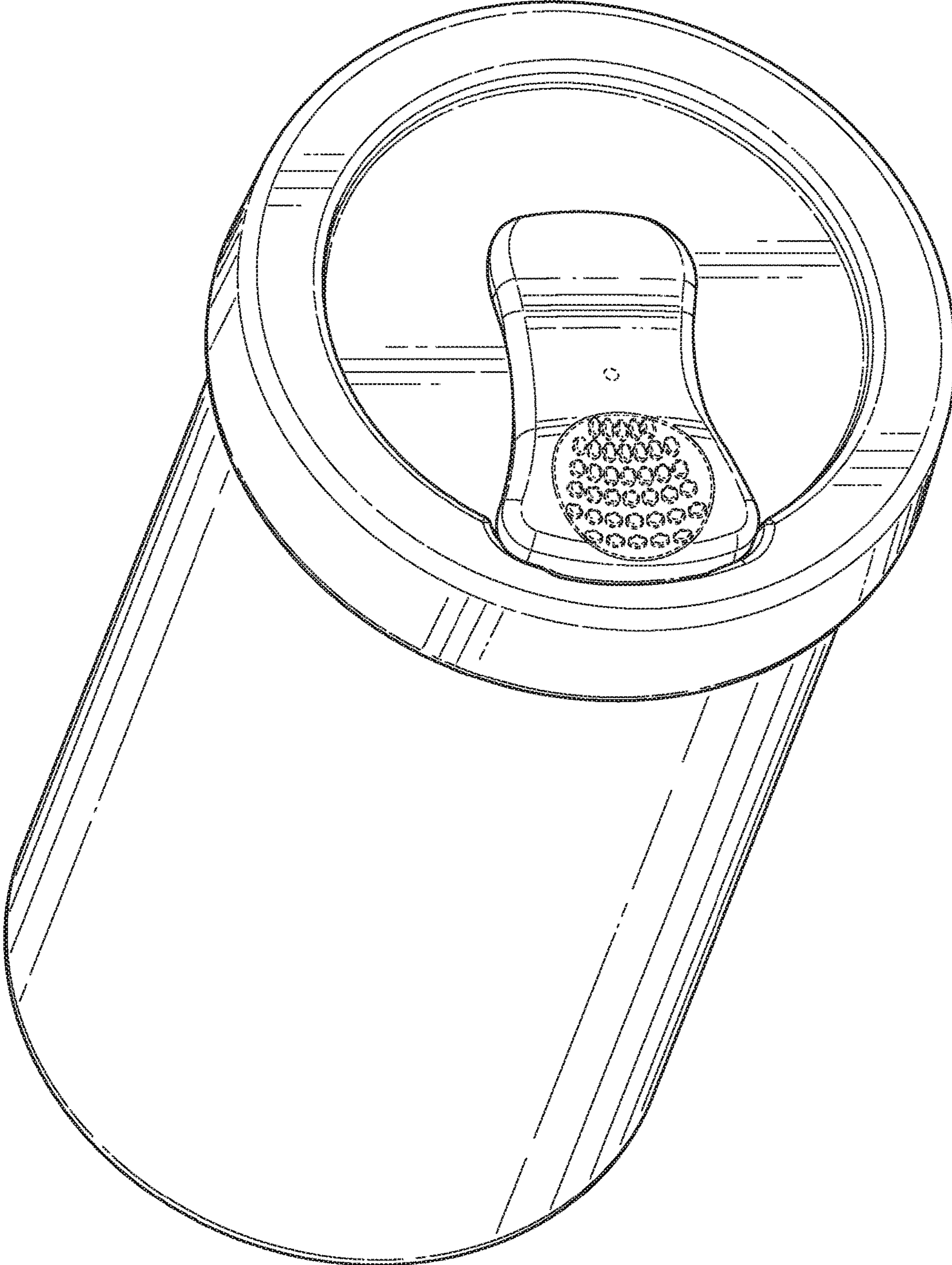


FIG. 8